



US00D982866S

(12) **United States Design Patent** (10) **Patent No.:** **US D982,866 S**
Hu (45) **Date of Patent:** **** Apr. 4, 2023**

(54) **BOWL SINK GRID**
(71) Applicant: **Zonghua Hu**, Zhejiang (CN)
(72) Inventor: **Zonghua Hu**, Zhejiang (CN)
(**) Term: **15 Years**

(21) Appl. No.: **29/856,594**
(22) Filed: **Oct. 14, 2022**
(51) **LOC (14) Cl.** **07-05**
(52) **U.S. Cl.**
USPC **D32/55**
(58) **Field of Classification Search**
USPC D5/53; D6/582-585; D32/55-57
CPC . A47J 47/00; A47J 47/20; A47L 19/00; E03C
1/186
See application file for complete search history.

(56) **References Cited**

U.S. PATENT DOCUMENTS

2,507,877 A * 5/1950 Babcock E03C 1/186
4/658
2,580,563 A * 1/1952 Levin A61G 9/003
4/245.8
D193,089 S * 6/1962 Kraines D32/57
D363,577 S * 10/1995 Brightbill D32/57
D517,759 S * 3/2006 Dretzka D32/57
D537,997 S * 3/2007 Plikuhn D32/57
D538,497 S * 3/2007 Plikuhn D32/57
D589,222 S * 3/2009 Gicela D32/57
D631,952 S * 2/2011 Marcoff D32/55
D685,560 S * 7/2013 Lee D32/57
D707,004 S * 6/2014 Levy D32/57
D707,005 S * 6/2014 Levy D32/57
D723,235 S 2/2015 Bergman et al.
9,828,753 B2 * 11/2017 Bomatter E03C 1/186
D821,670 S * 6/2018 Lynch D32/57
D824,628 S * 7/2018 Lynch D32/57
D840,174 S * 2/2019 Kraemer D32/57
D875,906 S * 2/2020 Hyde D23/308

D904,709 S * 12/2020 Gee, II D32/57
D904,710 S * 12/2020 Gee, II D32/57
D970,844 S * 11/2022 Huang D32/57
2013/0241127 A1 * 9/2013 Yang A47J 47/005
269/15
2018/0238033 A1 * 8/2018 Laera E03C 1/26

FOREIGN PATENT DOCUMENTS

DE 202014105895 U1 * 4/2015 A47J 47/20
DE 202015009951 U1 * 12/2021 A47L 17/02
EP 3839158 A1 * 6/2021 E03C 1/22

OTHER PUBLICATIONS

Amazon.com Behok 2 Pack Sink Protector Grid https://www.amazon.com/dp/B0B56XZGXT/ref=sspa_dk_detail_5 (Year: 2021).*

* cited by examiner

Primary Examiner — Kevin K Rudzinski
Assistant Examiner — Richard E Yenchesky
(74) *Attorney, Agent, or Firm* — Che-Yang Chen; Law Office of Michael Chen

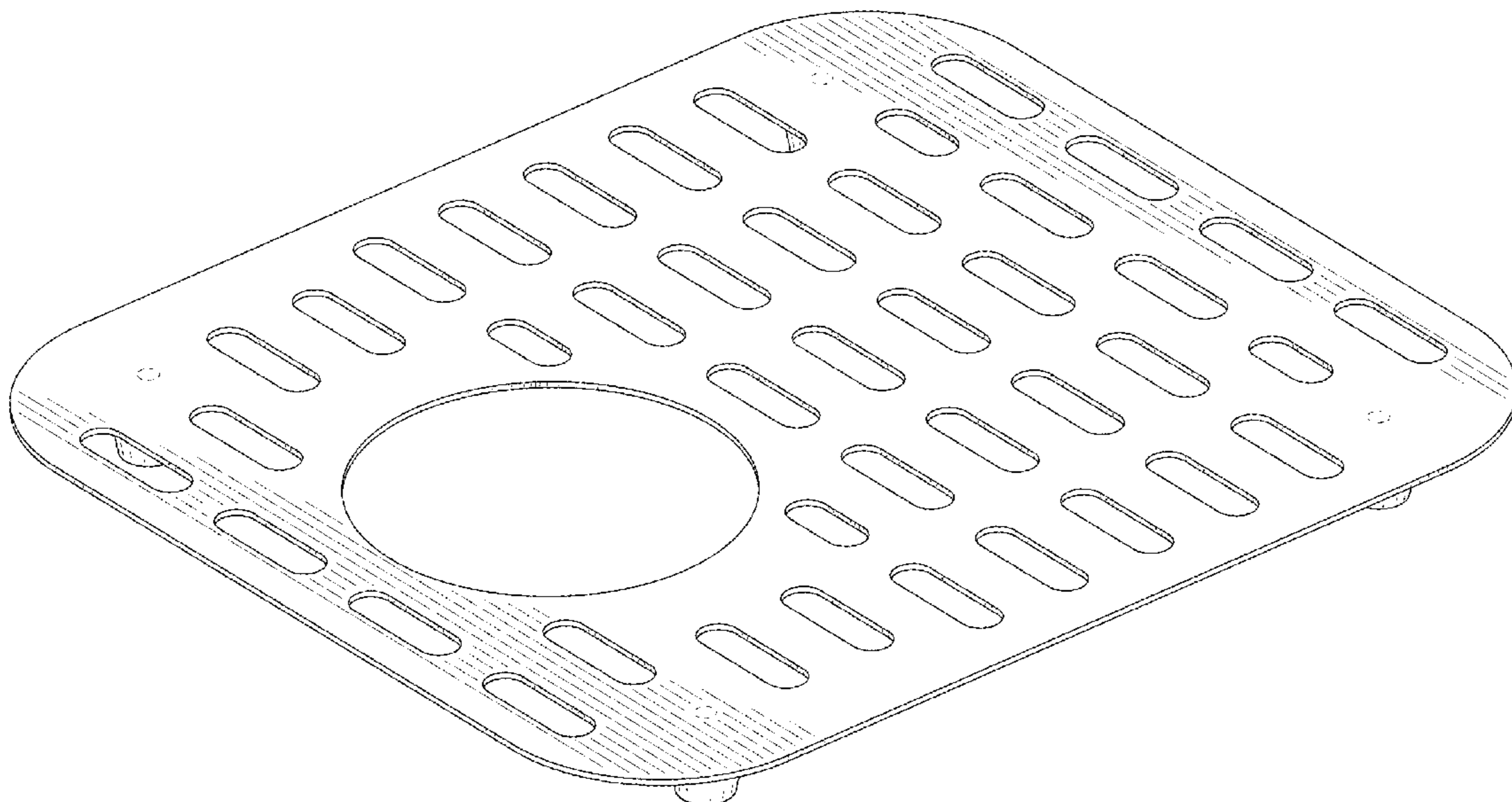
(57) **CLAIM**

The ornamental design for a bowl sink grid, as shown and described.

DESCRIPTION

FIG. 1 is a perspective view of a bowl sink grid showing my new design;
FIG. 2 is a perspective view thereof from another angle;
FIG. 3 is a front elevational view thereof;
FIG. 4 is a rear elevational view thereof;
FIG. 5 is a left side elevational view thereof;
FIG. 6 is a right side elevational view thereof;
FIG. 7 is a top plan view thereof; and,
FIG. 8 is a bottom plan view thereof.
The broken lines shown in the drawings represent portions of the bowl sink grid that form no part of the claimed design.

1 Claim, 8 Drawing Sheets



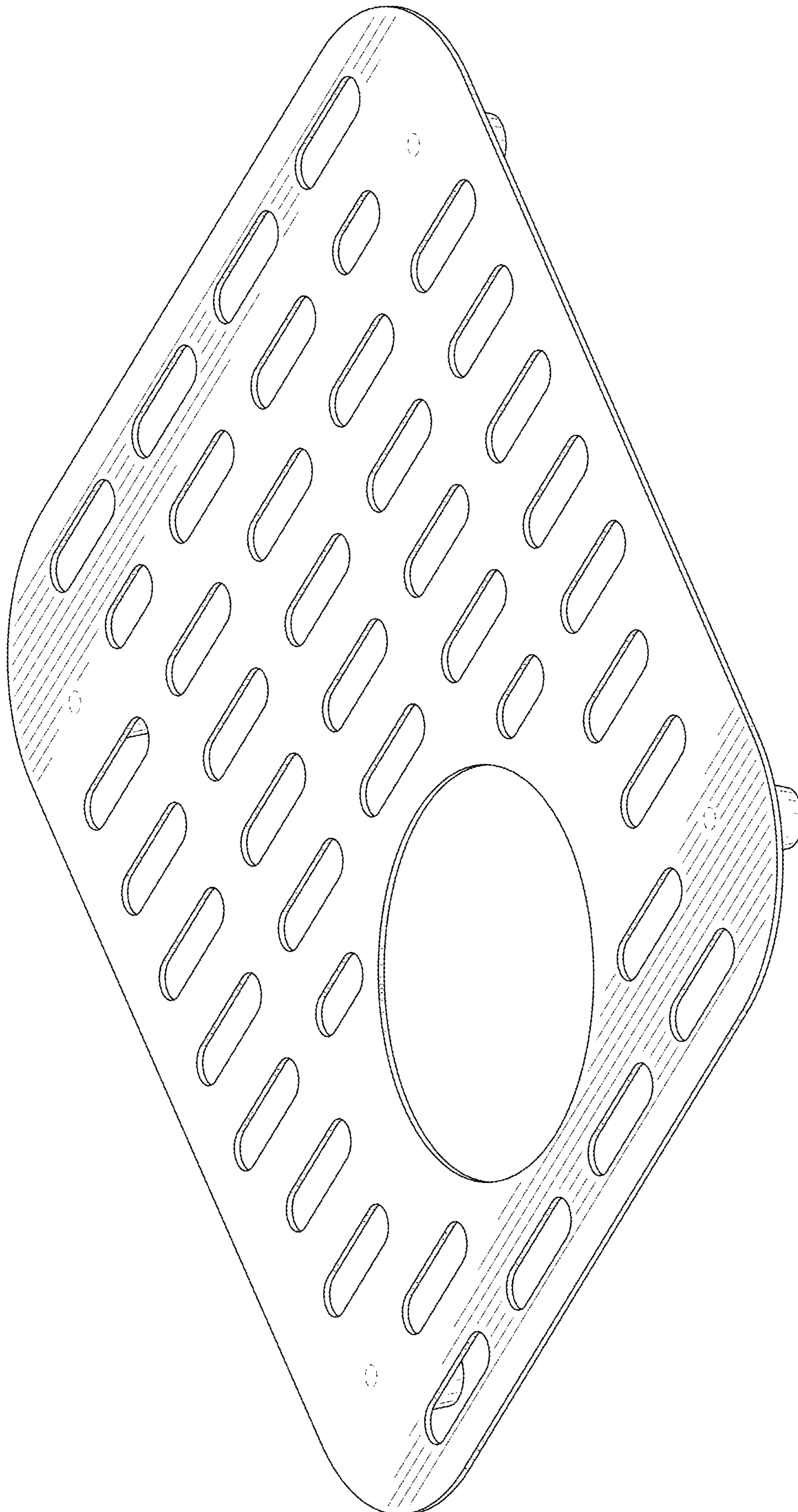


FIG. 1

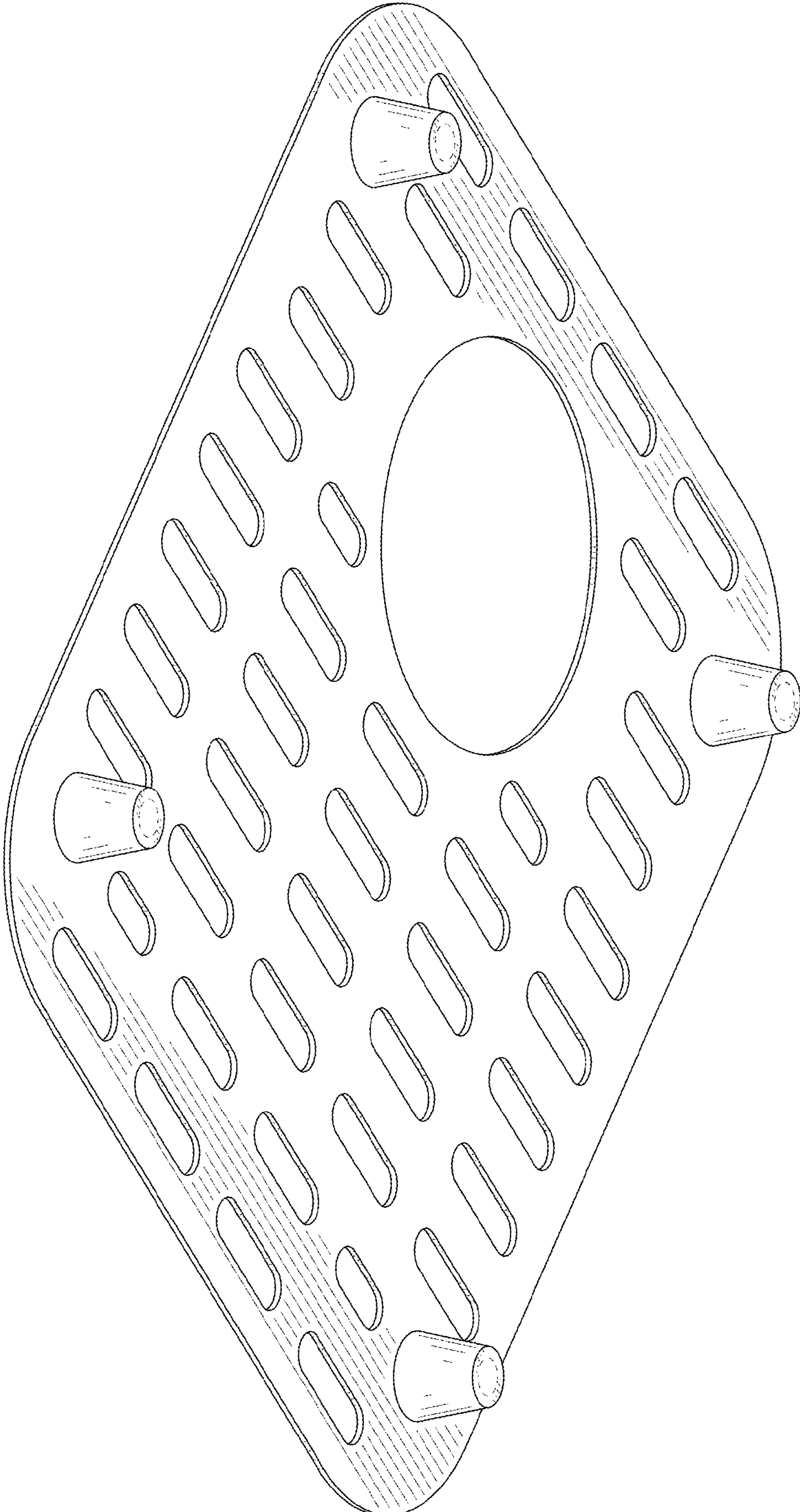


FIG. 2

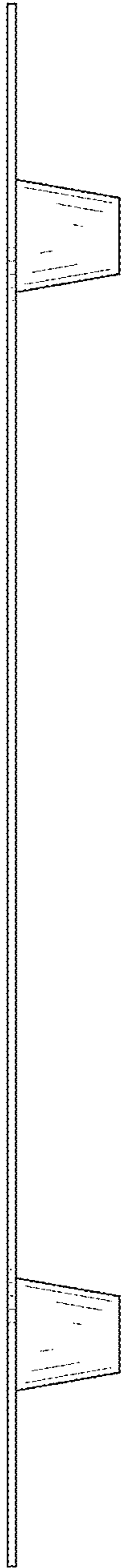


FIG. 3

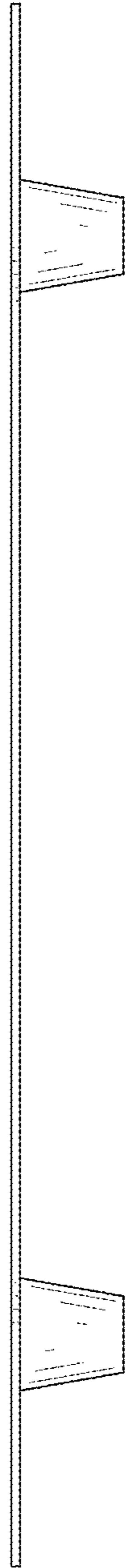


FIG. 4



FIG. 5

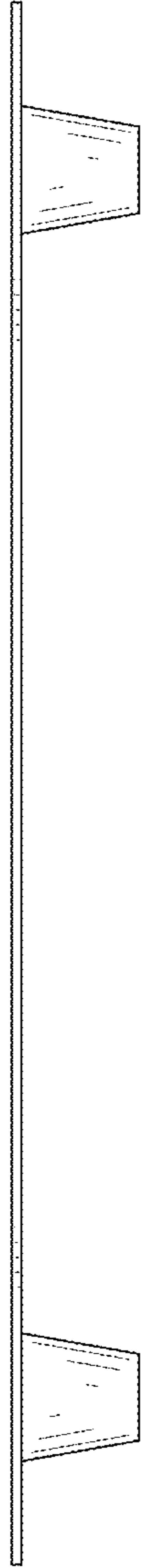


FIG. 6

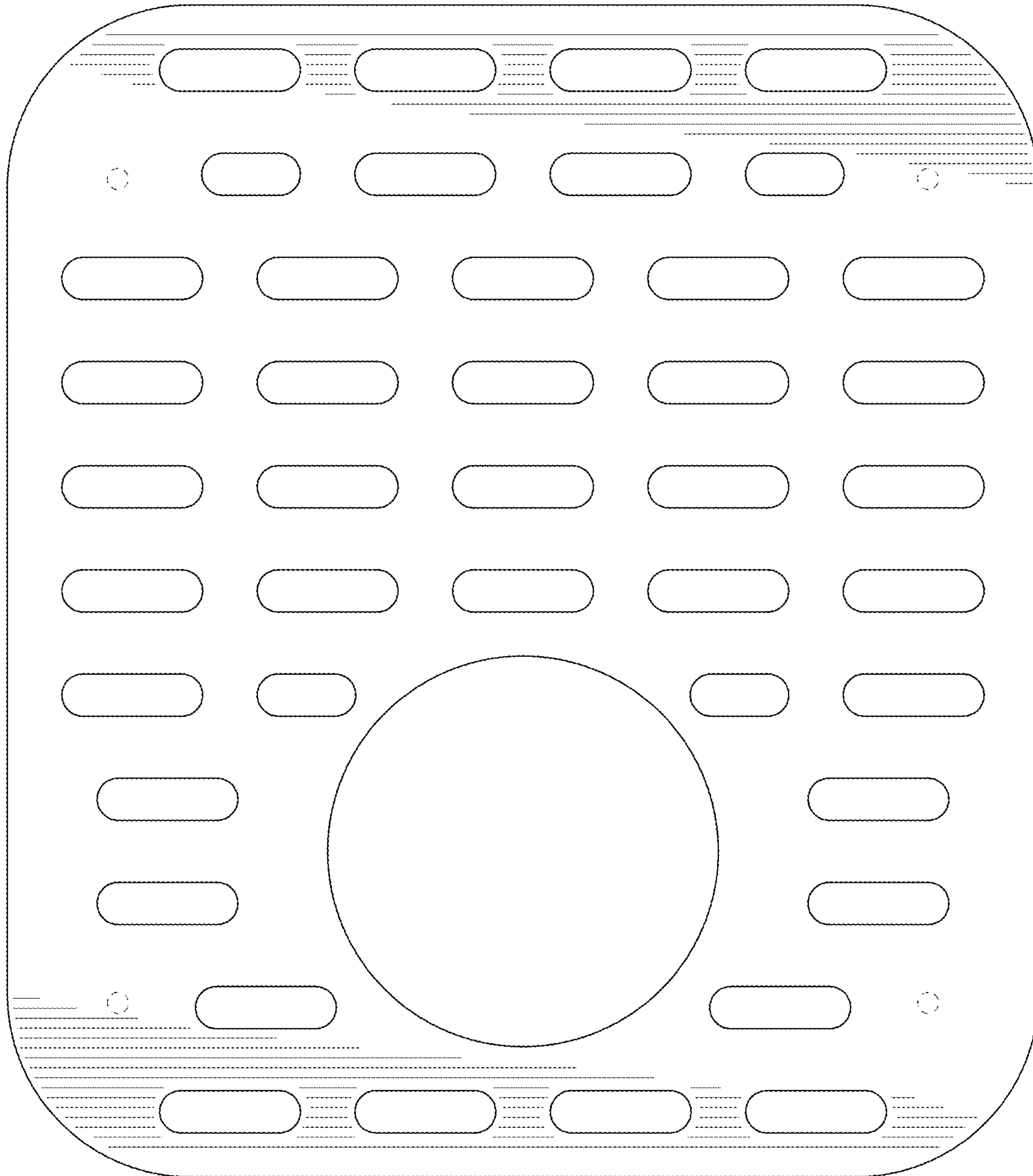


FIG. 7

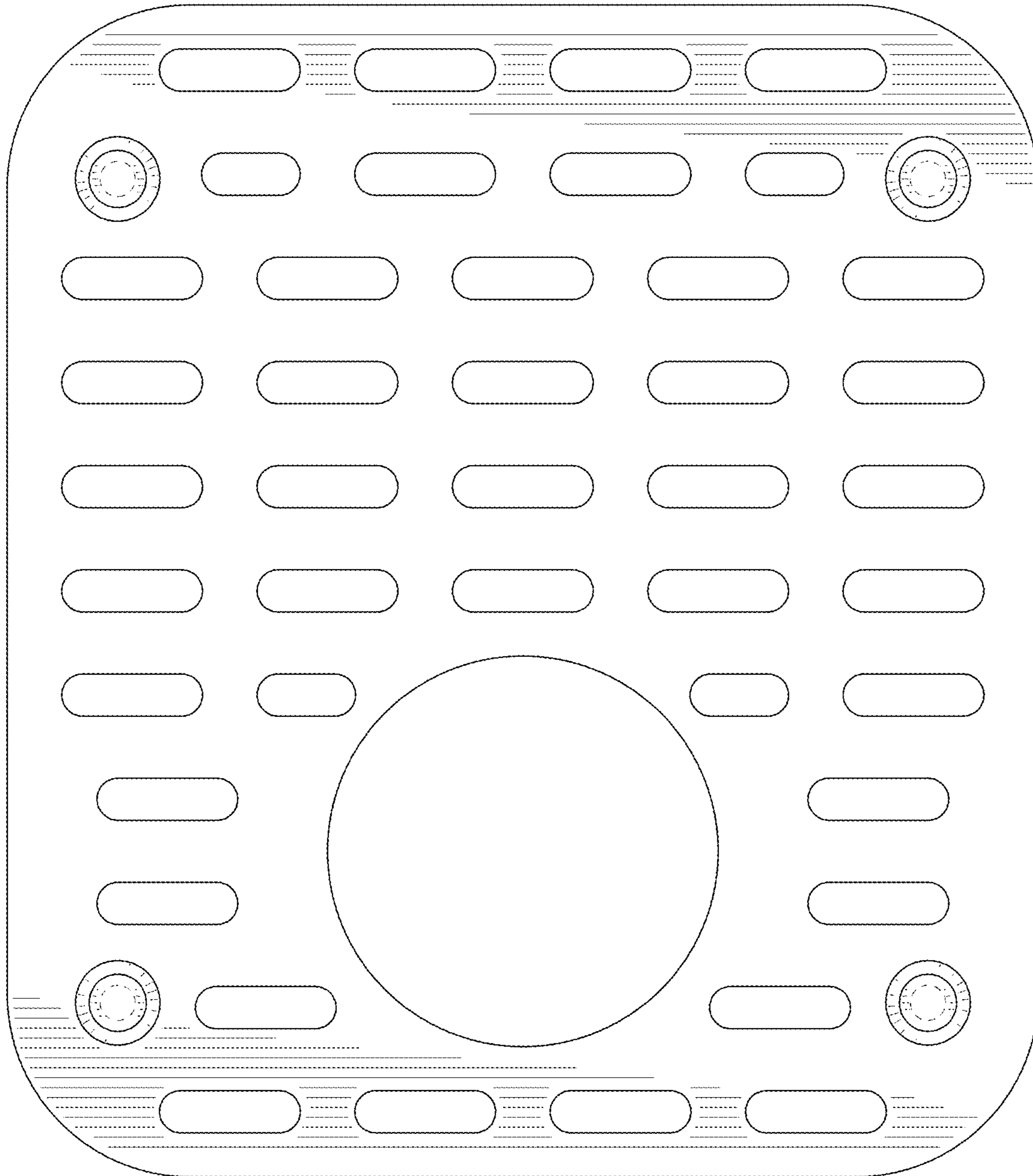


FIG. 8