



US00D982865S

(12) **United States Design Patent**  
**Clark**

(10) **Patent No.:** **US D982,865 S**

(45) **Date of Patent:** **\*\* Apr. 4, 2023**

(54) **ARTIST'S SINK LINER WITH FLEXIBLE DRAIN RETENTION LOCKING RING**

(71) Applicant: **Thomas Clark**, Wilmore, KY (US)

(72) Inventor: **Thomas Clark**, Wilmore, KY (US)

(\*\*) Term: **15 Years**

(21) Appl. No.: **29/835,272**

(22) Filed: **Apr. 18, 2022**

(51) **LOC (14) Cl.** ..... **07-05**

(52) **U.S. Cl.**  
USPC ..... **D32/55**

(58) **Field of Classification Search**  
USPC ..... D32/55, 276, 3; D6/510, 525; D30/133;  
211/41.5, 41.4, 41.3, 41.8; 361/679.4;  
312/311, 333, 334.4; D7/354, 629  
CPC ..... A47J 47/20; A47J 2201/00; A47J 47/00;  
B65D 35/02; B65D 35/22; B65D 35/56  
See application file for complete search history.

(56) **References Cited**

**U.S. PATENT DOCUMENTS**

2,806,227	A	1/1955	Arbetter	
D261,602	S *	11/1981	Anderson	D32/55
6,017,462	A	1/2000	Rains	
6,338,171	B1	1/2002	Dandridge	
D588,243	S *	3/2009	Aykens	D23/287
D655,798	S *	3/2012	Miller	D23/284
9,032,567	B1	5/2015	Galvano	
D818,662	S *	5/2018	Isidore	D32/55
D821,042	S *	6/2018	Veness	D7/354
D894,696	S *	9/2020	Tsui	D32/55
D914,166	S *	3/2021	Diefenbach	D32/55
D921,316	S *	6/2021	Zhou	D32/55
11,191,331	B2 *	12/2021	Zemel	B65D 25/04
D942,726	S *	2/2022	Schlütter	D32/55
2017/0172379	A1 *	6/2017	Keller	A47L 19/02

2020/0102726 A1\* 4/2020 Miller ..... E03C 1/33  
2020/0263401 A1\* 8/2020 Levi ..... E03C 1/186

\* cited by examiner

*Primary Examiner* — Austin Murphy

(74) *Attorney, Agent, or Firm* — Michael Coblenz

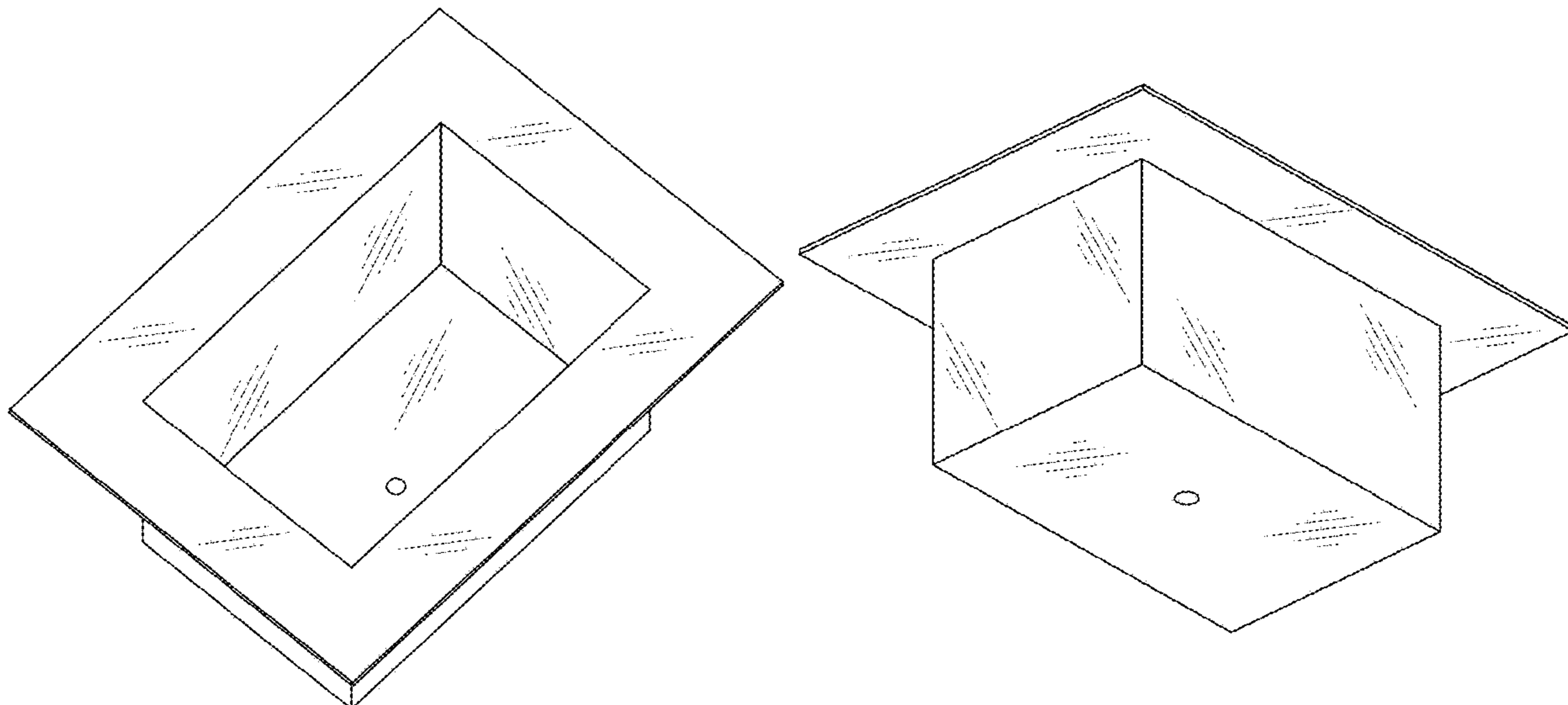
(57) **CLAIM**

The ornamental design for an artist's sink liner with flexible drain retention locking ring, as shown and described.

**DESCRIPTION**

FIG. 1 is a perspective top view of the artist's sink liner; FIG. 2 is a perspective side view thereof; FIG. 3 is a top view thereof, with the bottom view a mirror image of the top; FIG. 4 is a right-side elevation view thereof, with the left-side view a mirror image of the right; FIG. 5 is a front elevation view thereof, with the rear a mirror image of the front; FIG. 6 is a perspective view of the flexible drain retention locking ring; FIG. 7 is a top view thereof, with the bottom a mirror image of the top; FIG. 8 is a front elevation view thereof, with the back elevation, the left elevation, and the right elevation being a mirror image of the front; FIG. 9 is a front exploded view of the flexible drain retention locking ring in position over the artist's sink liner and in position to be inserted into a representative sink; FIG. 10 is a front cut away view showing the artist's sink liner in position in a representative sink, and with the flexible drain retention locking ring in position in the drain of the representative sink; and, FIG. 11 is a cut away detail of the flexible drain retention locking ring holding the artist's sink liner in place in the drain of the representative sink. The broken lines depict environmental subject matter, are for illustration only, and form no part of the claimed design.

**1 Claim, 8 Drawing Sheets**



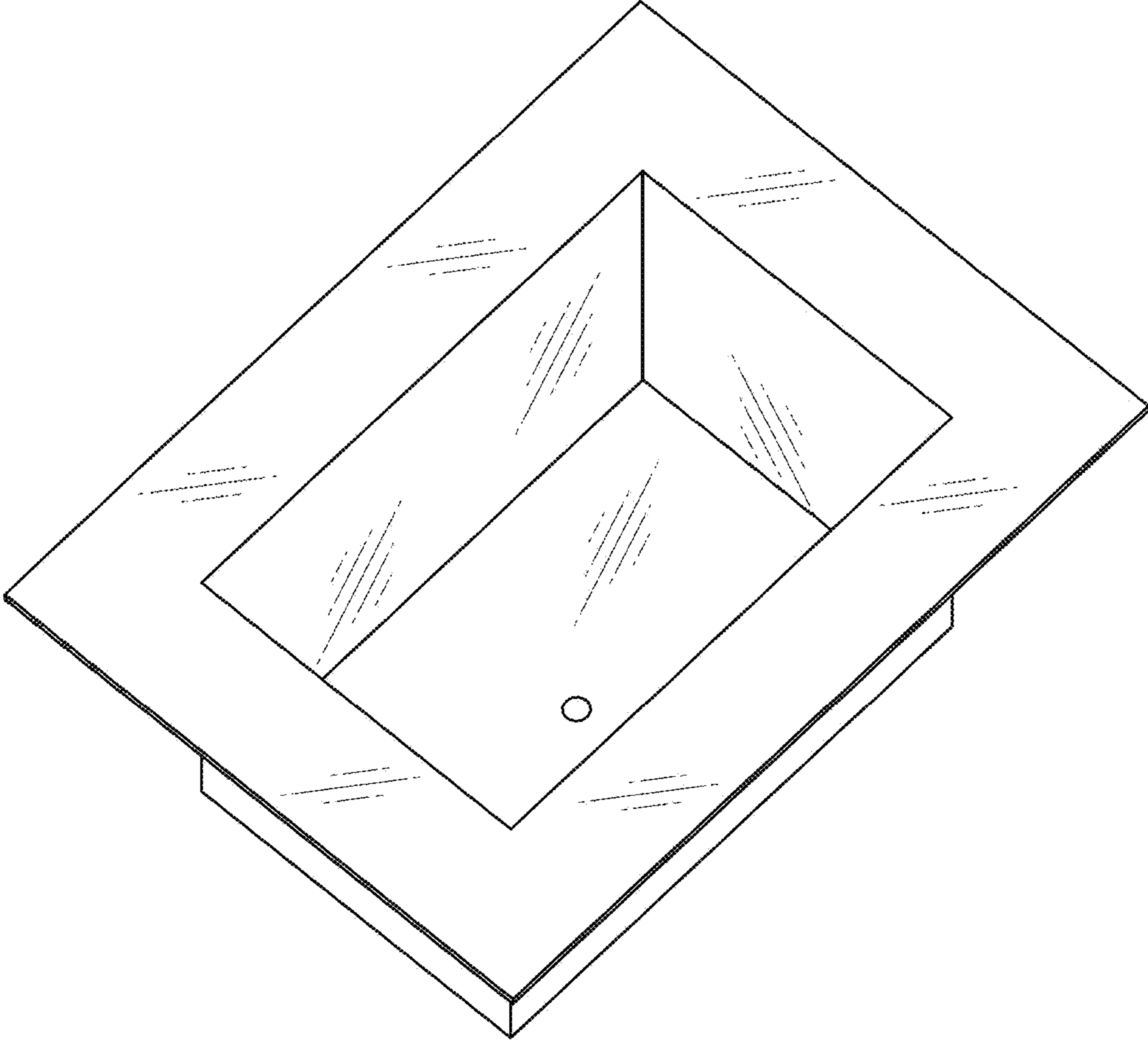


FIG. 1

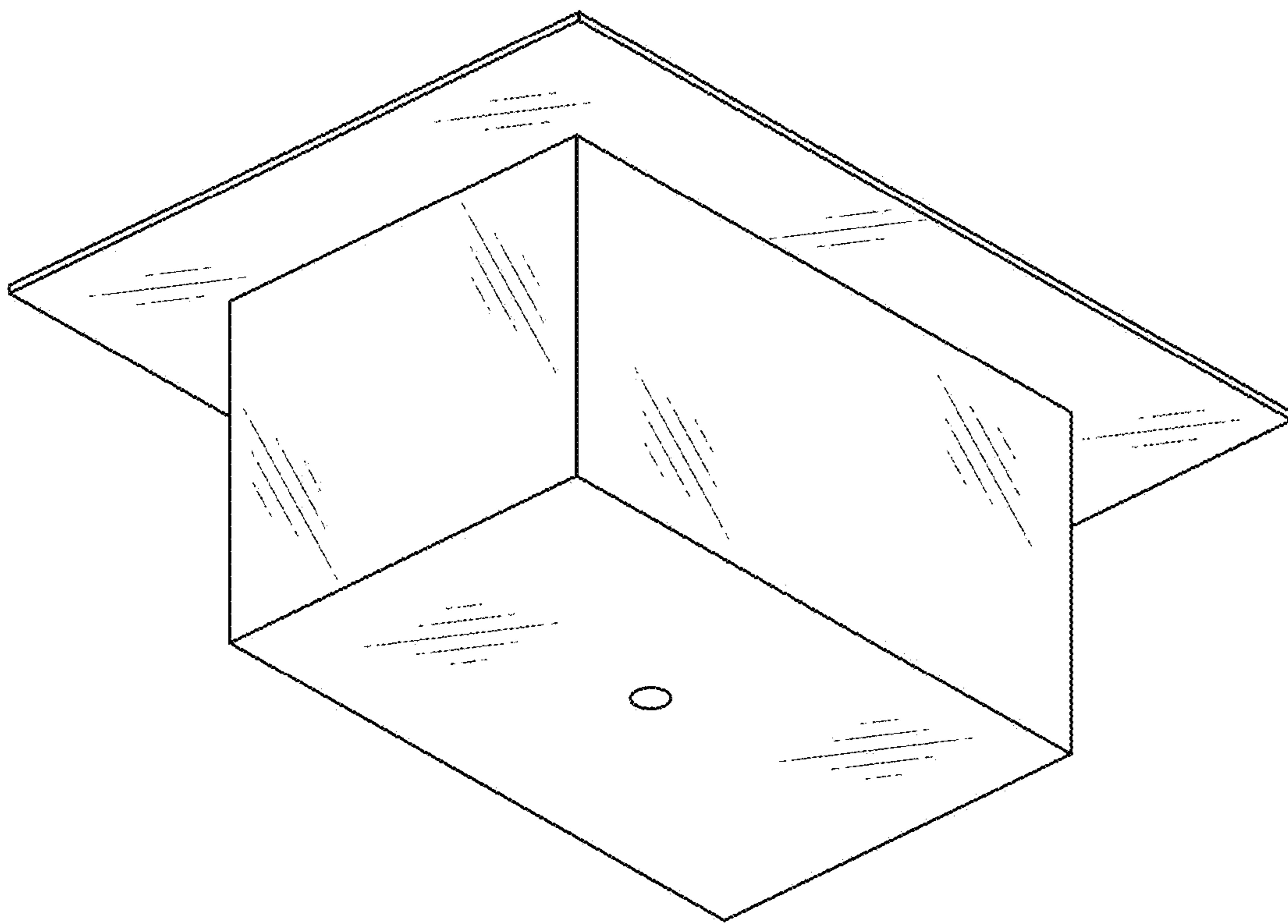


FIG. 2

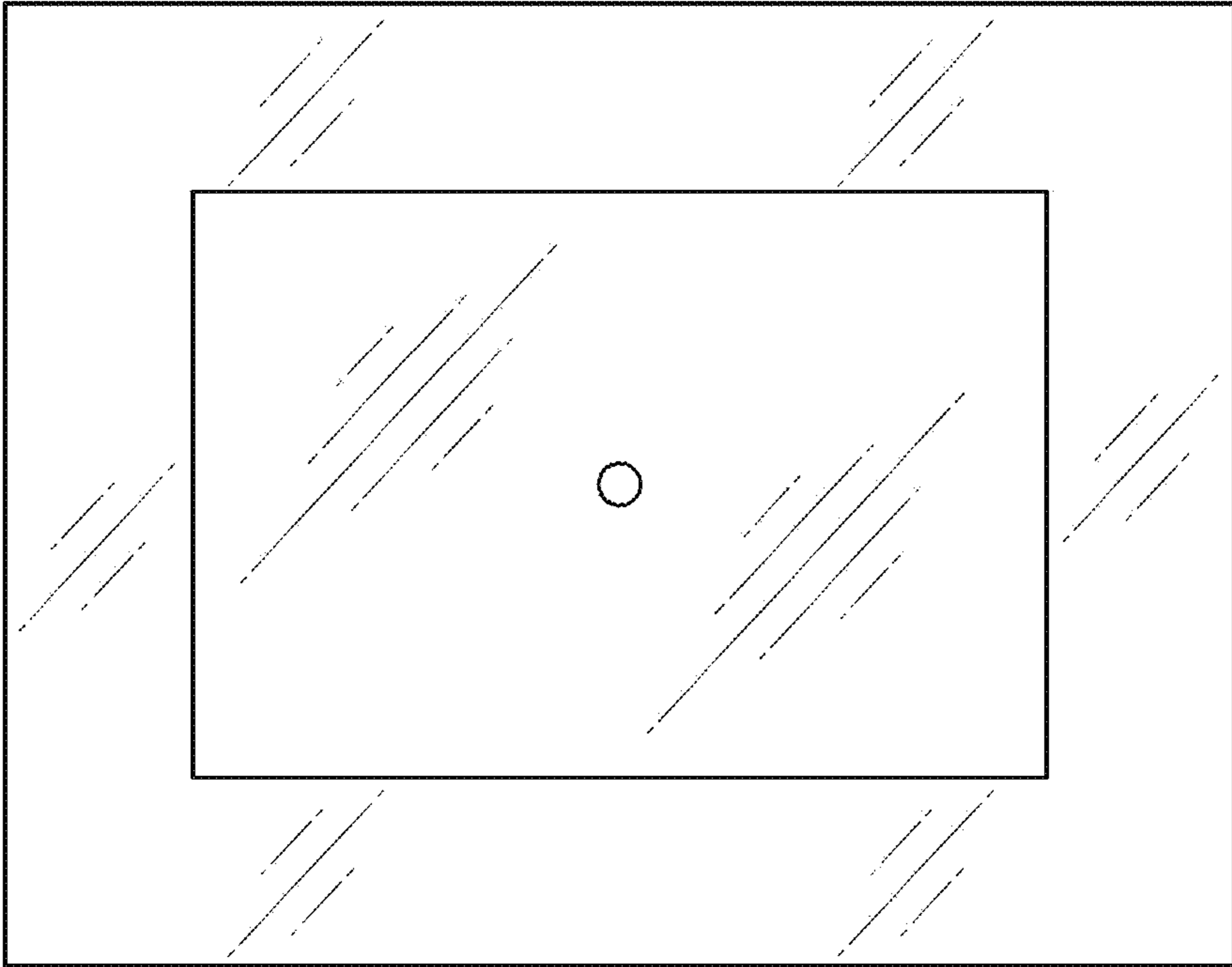


FIG. 3

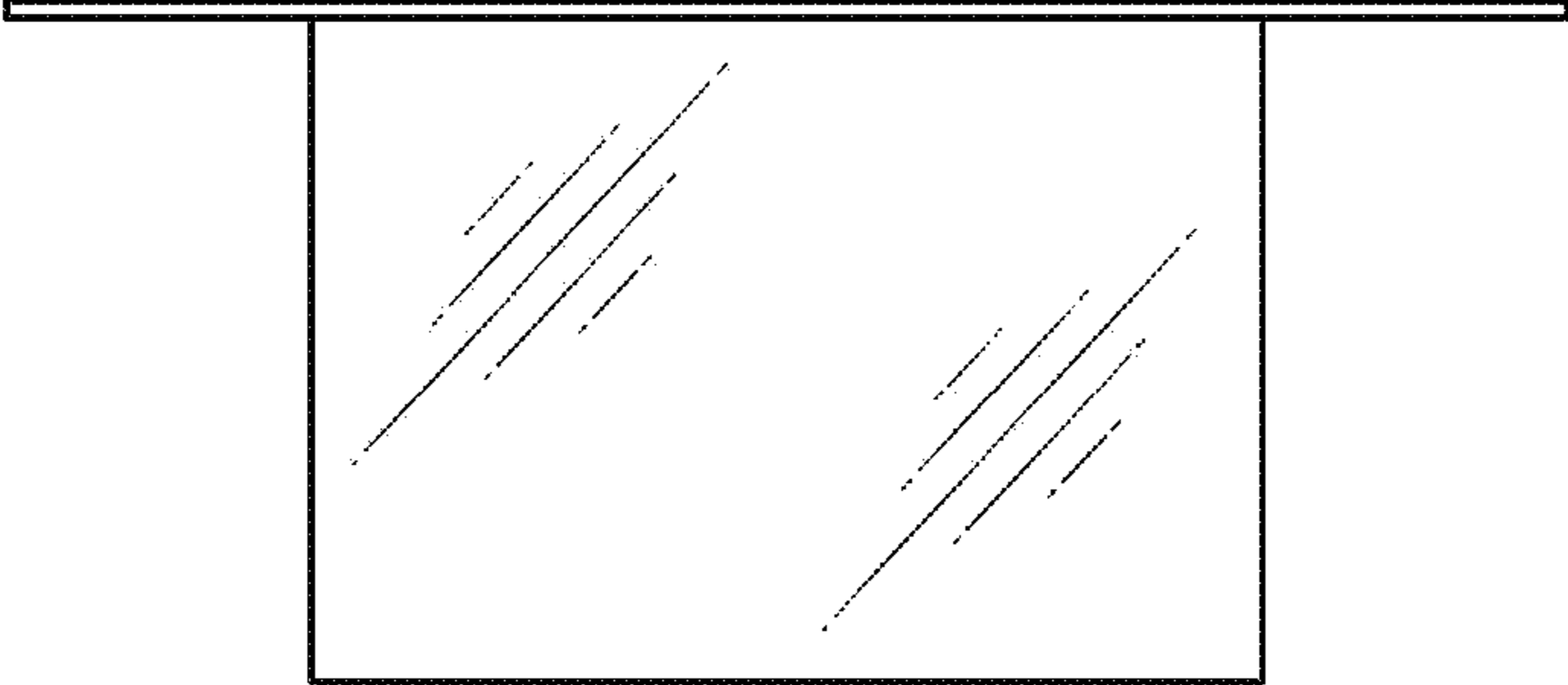


FIG. 4

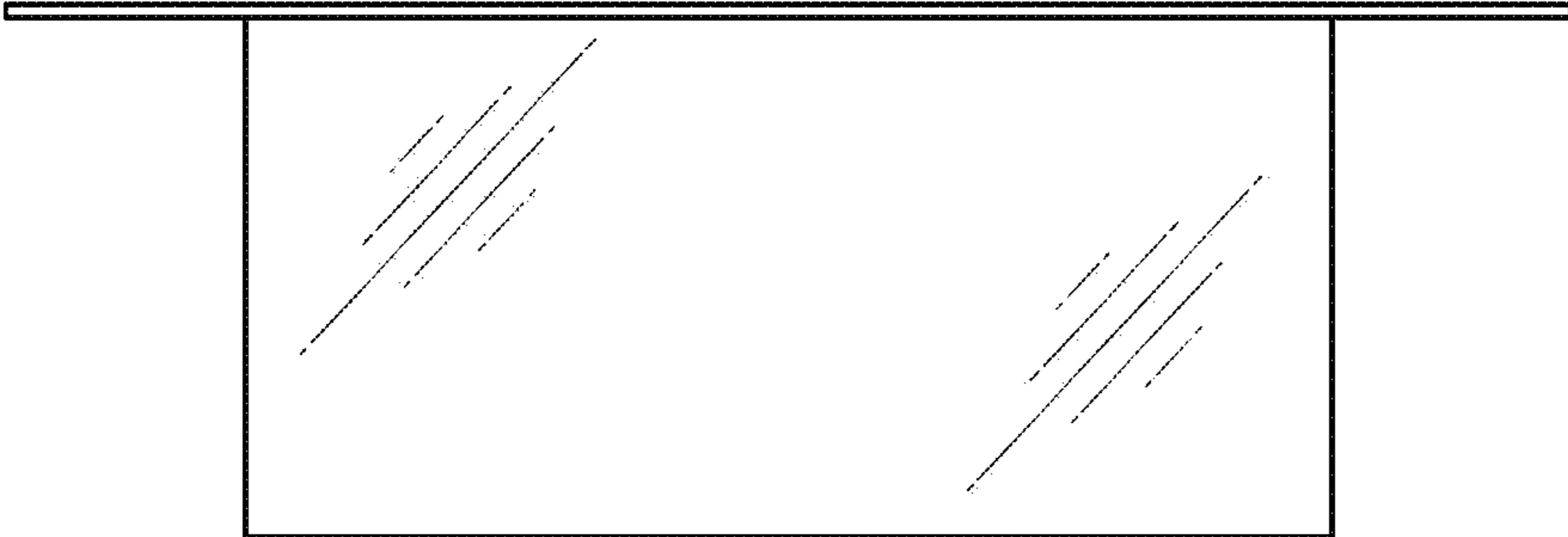


FIG. 5

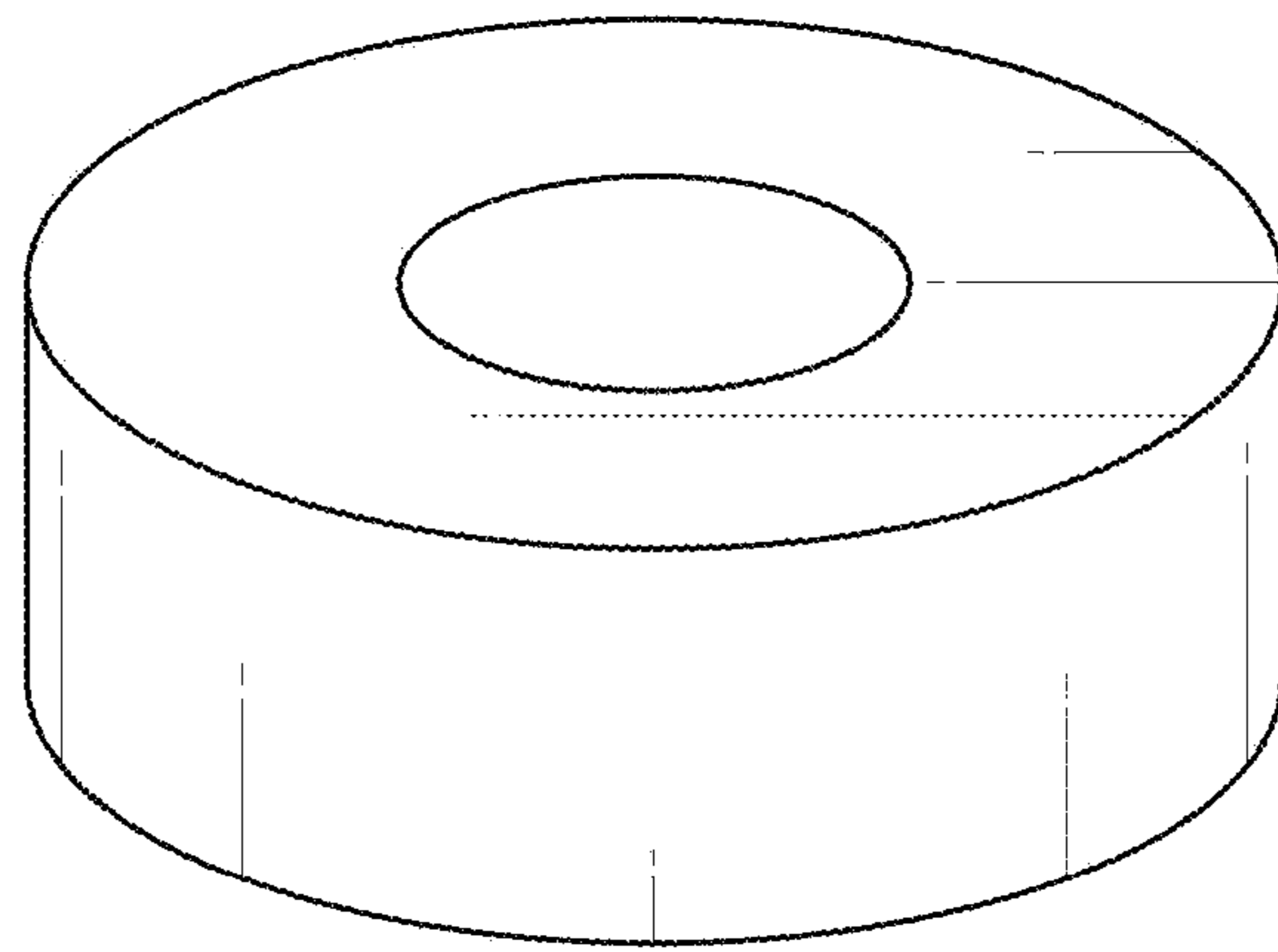


FIG. 6

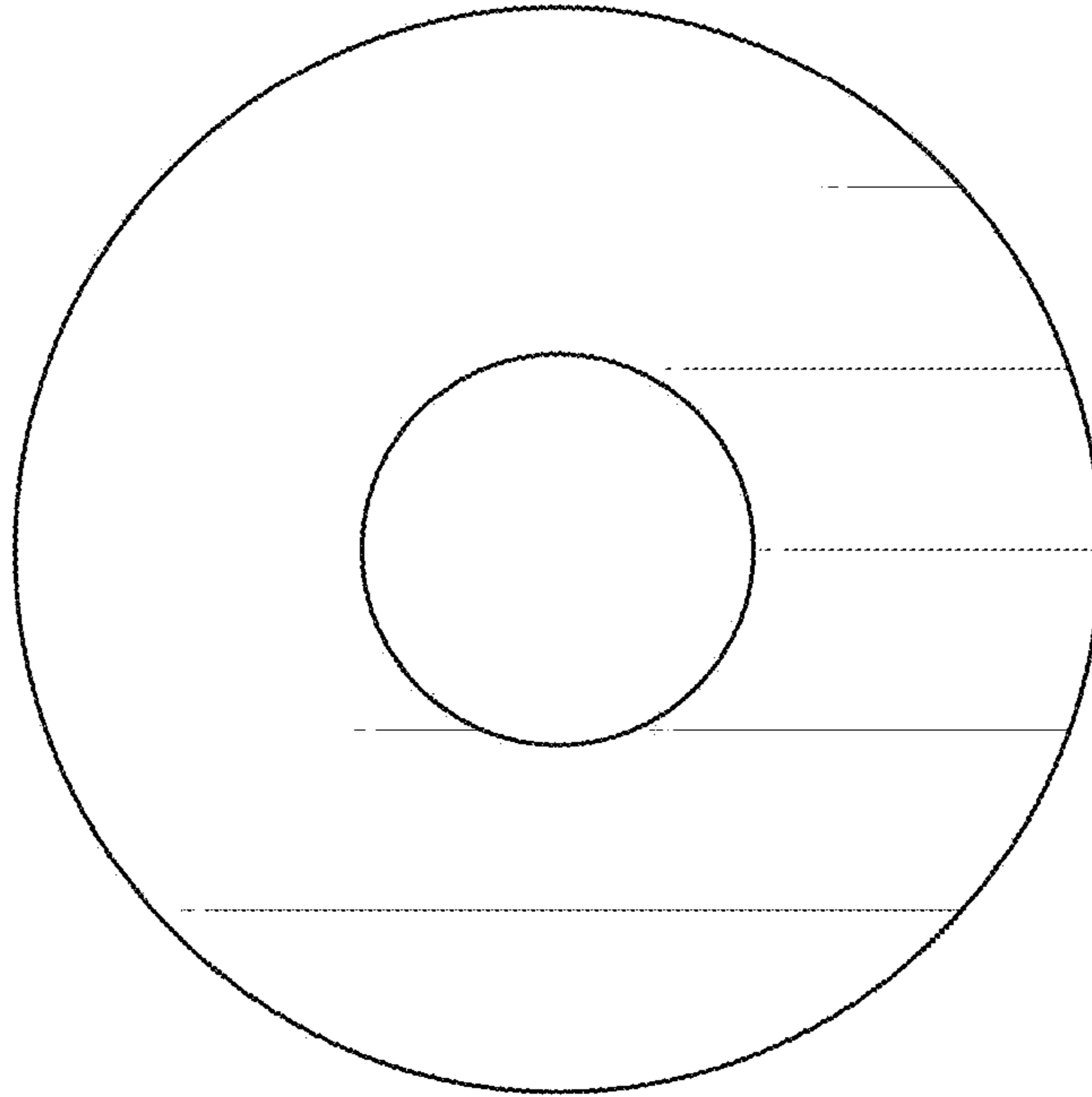


FIG. 7



FIG. 8

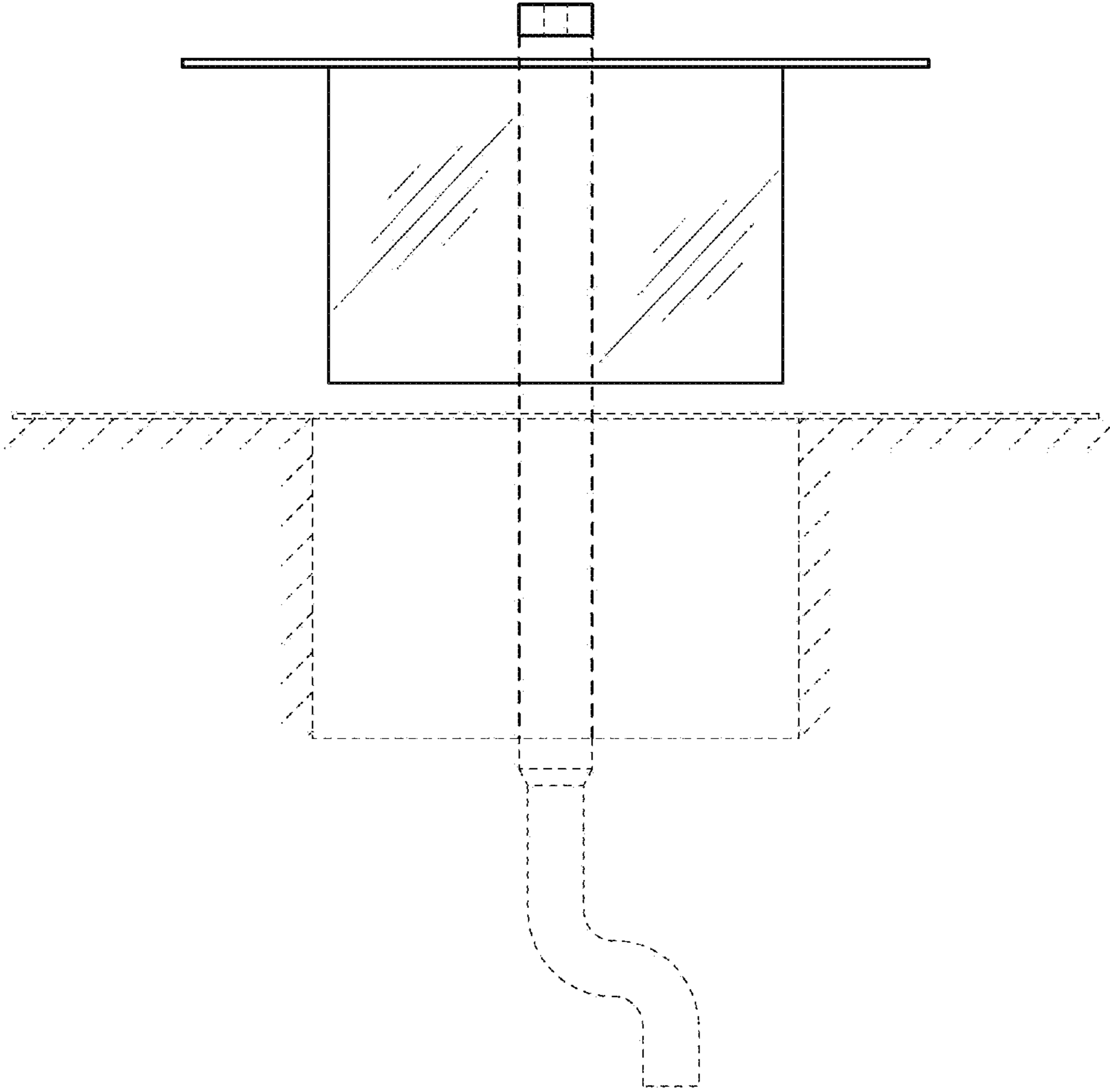


FIG. 9



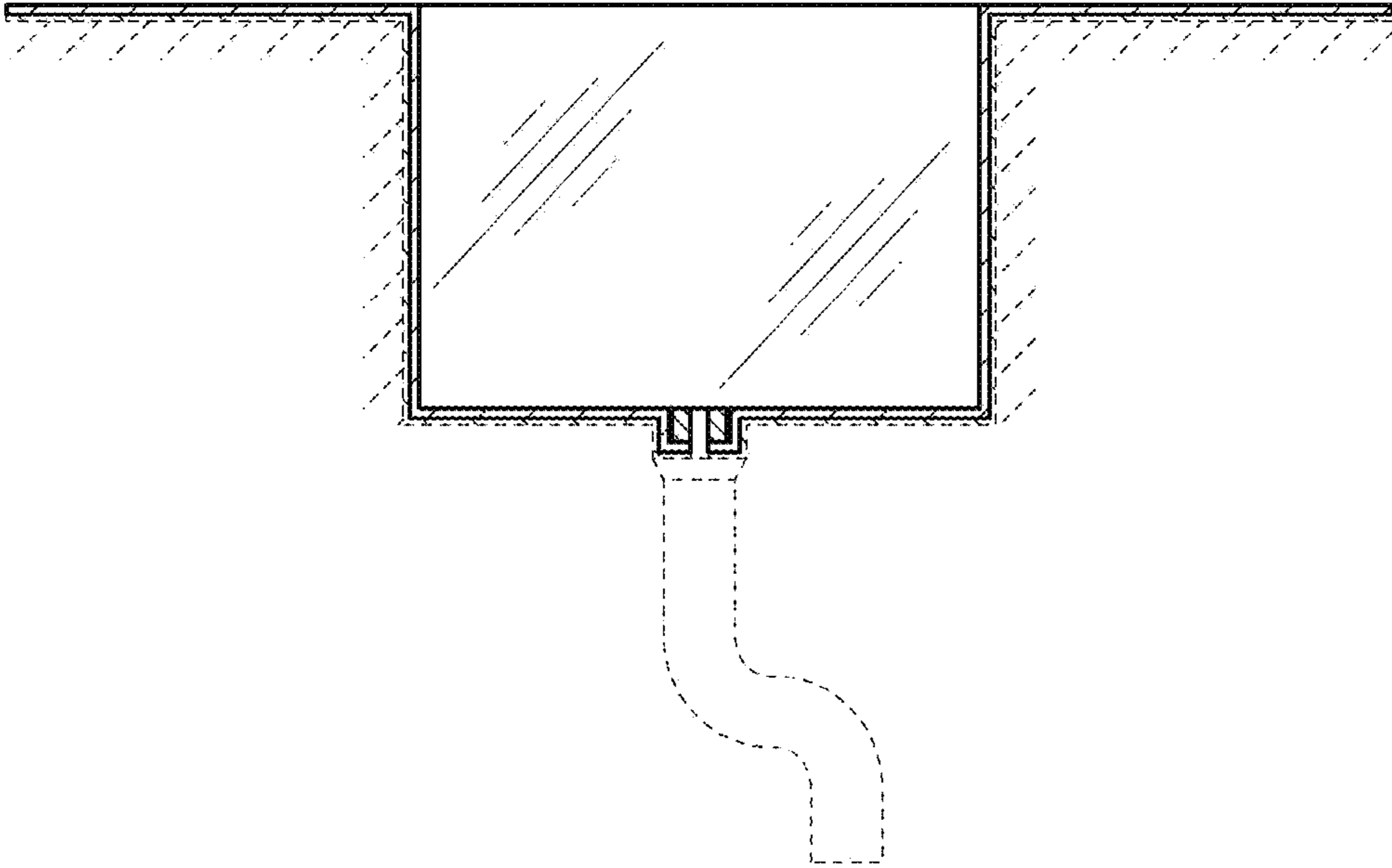


FIG. 10

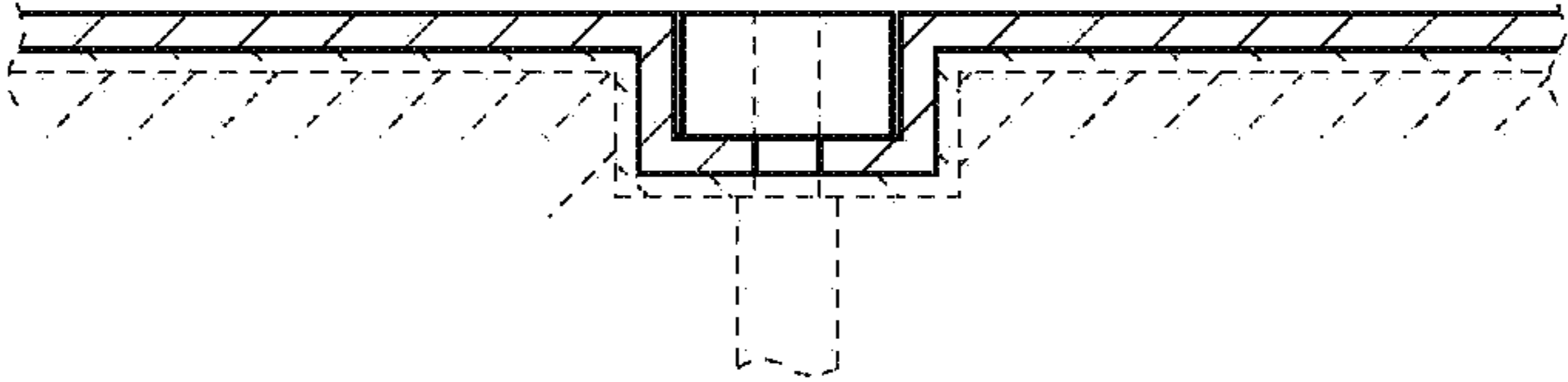


FIG. 11