



US00D982864S

(12) **United States Design Patent**
Qiao

(10) **Patent No.:** **US D982,864 S**

(45) **Date of Patent:** **** Apr. 4, 2023**

(54) **ELECTRIC MOP**

(71) Applicant: **Xi Lu Qiao**, Guangzhou Guangdong (CN)

(72) Inventor: **Xi Lu Qiao**, Guangzhou Guangdong (CN)

(73) Assignee: **Reestar International Limited**, Kowloon (KR)

(**) Term: **15 Years**

(21) Appl. No.: **29/857,333**

(22) Filed: **Oct. 21, 2022**

(51) **LOC (14) Cl.** **07-05**

(52) **U.S. Cl.**
USPC **D32/45; D32/50**

(58) **Field of Classification Search**
USPC D32/15, 18-22, 24-25, 31-34, 38-40,
D32/42-45, 49-52; D4/100, 114, 121,
D4/127, 199; D21/526

(Continued)

(56) **References Cited**

U.S. PATENT DOCUMENTS

D290,892 S * 7/1987 Slany D32/50
D428,226 S * 7/2000 Kunkier D32/45

(Continued)

FOREIGN PATENT DOCUMENTS

CN 305299555 * 8/2019

OTHER PUBLICATIONS

AlfaBot Cordless Electric Mops For Floor Cleaning, available in Amazon.com, date first available Oct. 12, 2022 [online], [site visited Nov. 18, 2022], Available from the internet URL: https://www.amazon.com/dp/B0BB1RTYKY/ref=sspa_dk_detail_4 (Year: 2022).*

(Continued)

Primary Examiner — Jennifer Rivard
Assistant Examiner — Jennylou M Binas

(57) **CLAIM**

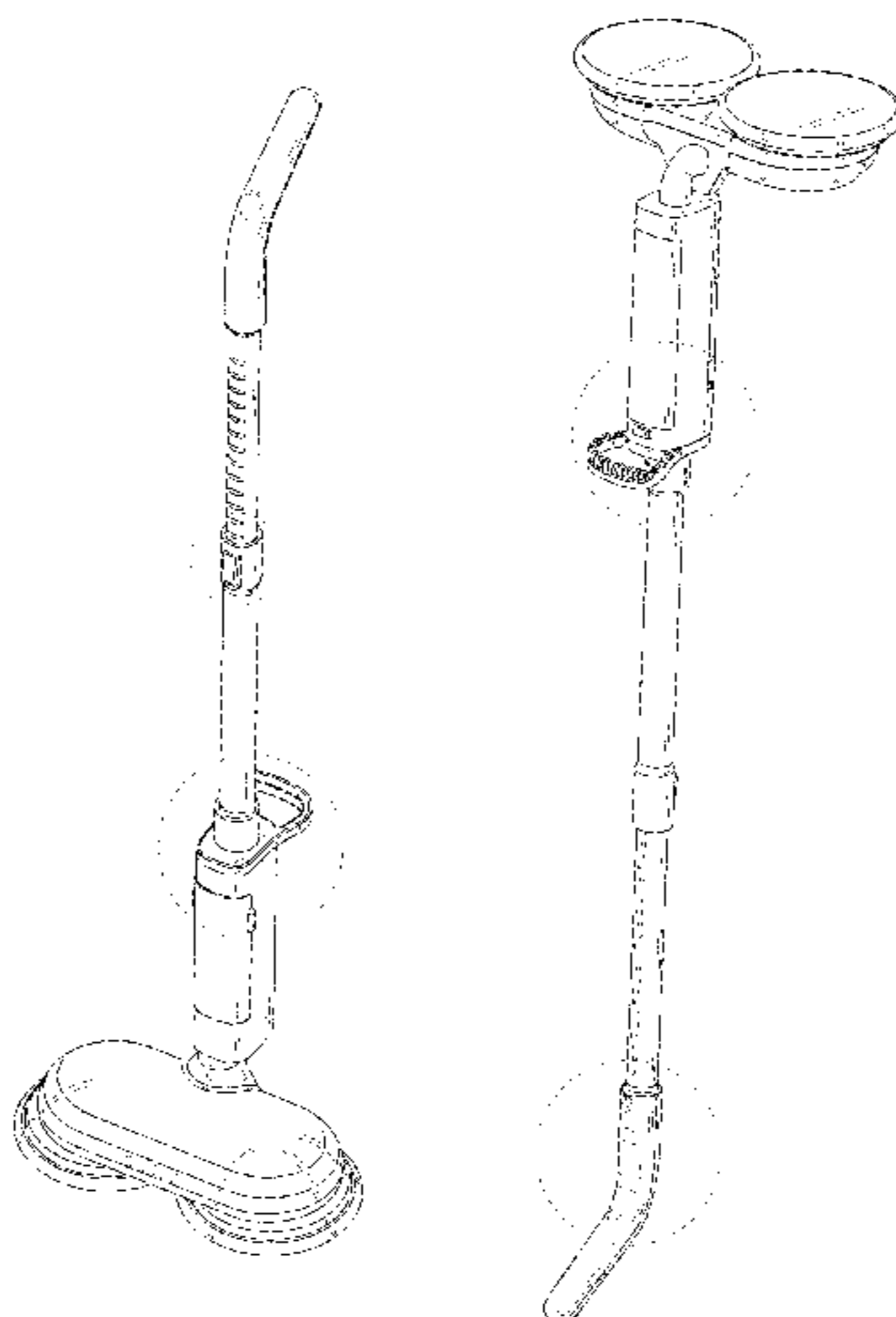
The ornamental design for an electric mop, as shown and described.

DESCRIPTION

FIG. 1 is a top-front perspective view of an electric mop according to the present invention;
FIG. 2 is a bottom-rear perspective view thereof;
FIG. 3 is a front elevation view thereof;
FIG. 4 is a rear elevation view thereof;
FIG. 5 is a left side view thereof, the right side view being a mirror image thereof;
FIG. 6 is an enlarged top plan view thereof;
FIG. 7 is an enlarged bottom plan view thereof;
FIG. 8 is an enlarged top-front perspective view of a feature shown within the area designated as 8 in FIG. 1;
FIG. 9 is an enlarged top-front perspective view of a feature shown within the area designated as 9 in FIG. 1;
FIG. 10 is an enlarged bottom-rear perspective view of a feature shown within the area designated as 10 in FIG. 2;
FIG. 11 is an enlarged bottom-rear perspective view of a feature shown within the area designated as 11 in FIG. 2;
FIG. 12 is an enlarged front elevation view of a feature shown within the area designated as 12 in FIG. 3;
FIG. 13 is an enlarged rear elevation view of a feature shown within the area designated as 13 in FIG. 4;
FIG. 14 is an enlarged left side view of a feature shown within the area designated as 14 in FIG. 5;
FIG. 15 is an enlarged left side view of a feature shown within the area designated as 15 in FIG. 5;
FIG. 16 is an enlarged left side view of a feature shown within the area designated as 16 in FIG. 5;
FIG. 17 is an enlarged bottom plan view of a feature shown within the area designated as 17 in FIG. 7;
FIG. 18 is a cross-sectional view taken along lines 18-18 in FIG. 3; and,
FIG. 19 is an enlarged fragmentary cross-sectional view of a feature shown within the area designated as 19 in FIG. 18.

The broken lines shown in the drawings are for the purpose of illustrating the portions of the electric mop and form no

(Continued)



part of the claimed design. The evenly spaced broken lines shown in FIGS. 1-5 and 7-19 indicates cutoff boundaries for the enlarged detailed portion views and form no part of the claimed design.

1 Claim, 19 Drawing Sheets

(58) Field of Classification Search

CPC . A46B 11/001; A46B 11/002; A46B 11/4038;
 A47L 1/06; A47L 1/08; A47L 13/16;
 A47L 13/20; A47L 13/22; A47L 13/24;
 A47L 13/225; A47L 13/256; A47L
 13/258; A47L 13/312; A47L 13/44; A47L
 13/51; A47L 9/02; A47L 9/04; A47L
 9/0461; A47L 9/0472; B05B 12/002;
 B05C 17/00; B08B 1/00; B08B 3/00;
 B08B 2230/01; B25G 1/04; B25G 1/10;
 B60S 3/045

See application file for complete search history.

(56) References Cited

U.S. PATENT DOCUMENTS

D458,427 S	*	6/2002	Kunkier	D32/45
D505,762 S	*	5/2005	Lalanne	D32/45
D713,153 S	*	9/2014	Lu	D4/137
D742,609 S	*	11/2015	Irwin	D32/50

D765,330 S	*	8/2016	Lentine	D32/45
D795,518 S	*	8/2017	Chung	D32/45
D853,670 S	*	7/2019	Hu	D32/40
D855,271 S	*	7/2019	Liang	D32/50
D864,512 S	*	10/2019	Wu	D32/50
D866,898 S	*	11/2019	Tao	D32/50
D911,646 S	*	2/2021	DeBeck	D32/45
D912,920 S	*	3/2021	Tao	D32/15
D927,195 S	*	8/2021	Wei	D4/132
D950,178 S	*	4/2022	Pei	D32/45
D962,574 S	*	8/2022	Khubani	D32/50
D966,640 S	*	10/2022	Ge	D32/51
2018/0235425 A1	*	8/2018	Ding	A47L 11/282

OTHER PUBLICATIONS

Gladwell Coaster Electric Cordless Mop Review, available in www.doriturnerinteriors.com, announced Jun. 24, 2020 [online], [site visited Nov. 18, 2022], Internet URL: <https://doriturnerinteriors.com/gladwell/> (Year: 2020).*

Hand held cordless electric mop with LED nozzle, announced in YouTube on Nov. 3, 2022 [online], [site visited Nov. 18, 2022], Available from the internet URL: https://www.youtube.com/watch?v=RrQf9G_IXf8 (Year: 2022).*

Bissell SpinWave Cordless PET Hard Floor Spin Mop, available in Amazon.ca, date first available Sep. 17, 2020 [online], [site visited Nov. 18, 2022], Available from the internet URL: https://www.amazon.ca/Bissell-SpinWave-Cordless-Floor-23157/dp/B08J1DXCLB/ref=sr_1_5 (Year: 2020).*

* cited by examiner

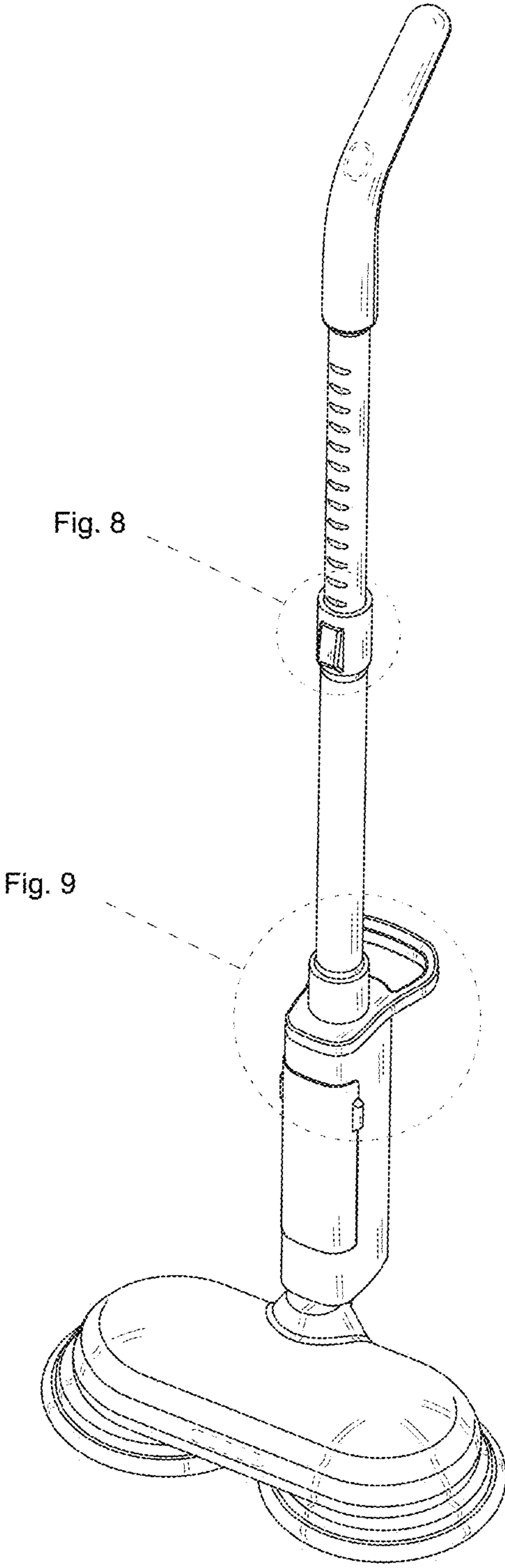


FIG. 1

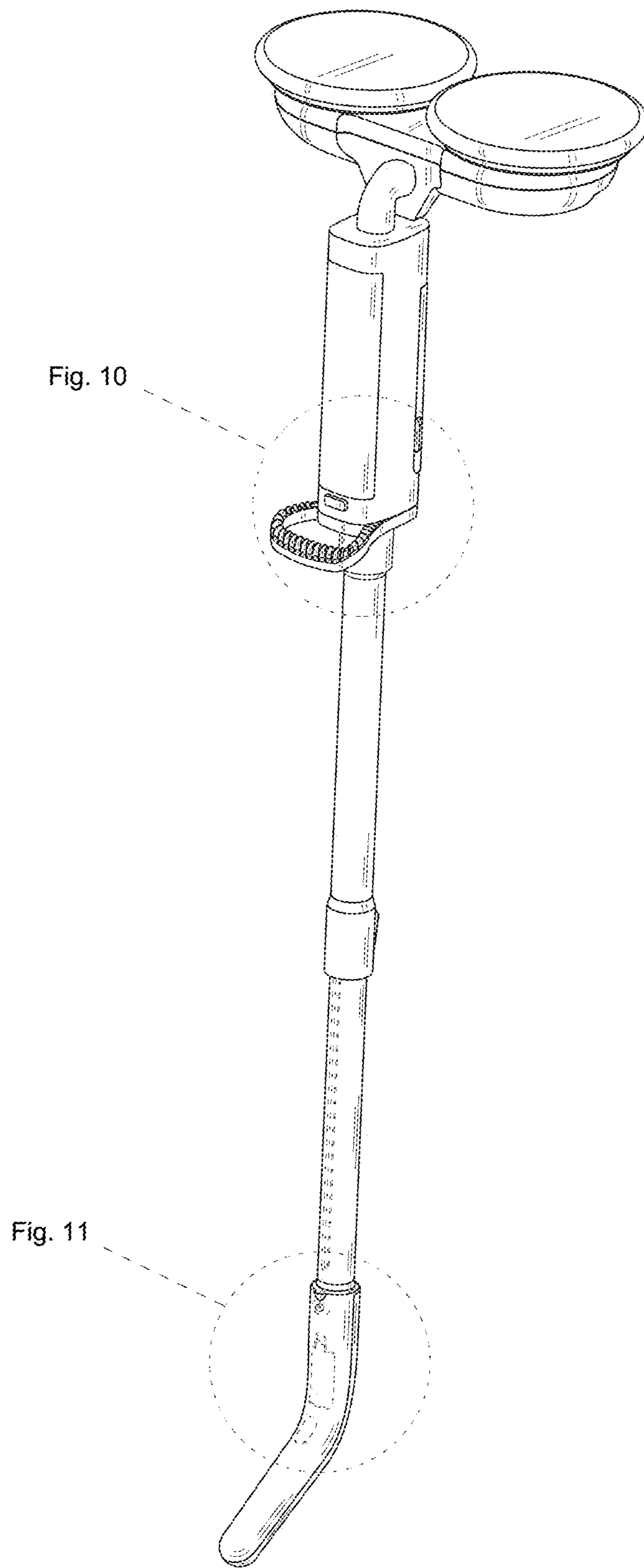


FIG. 2

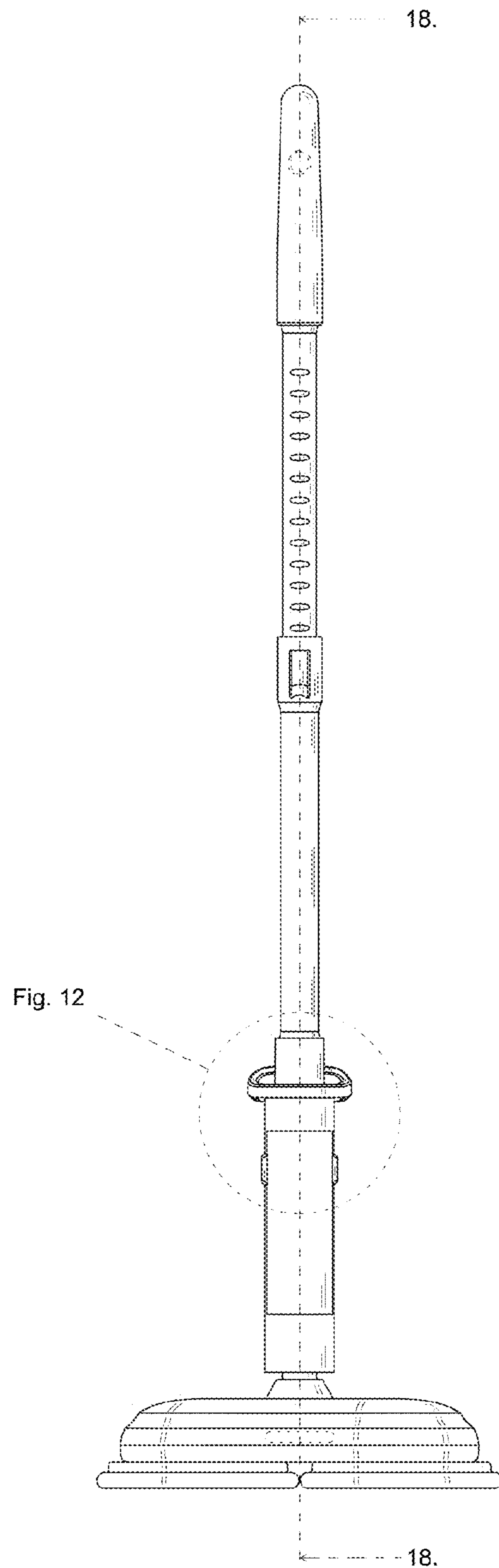


FIG. 3

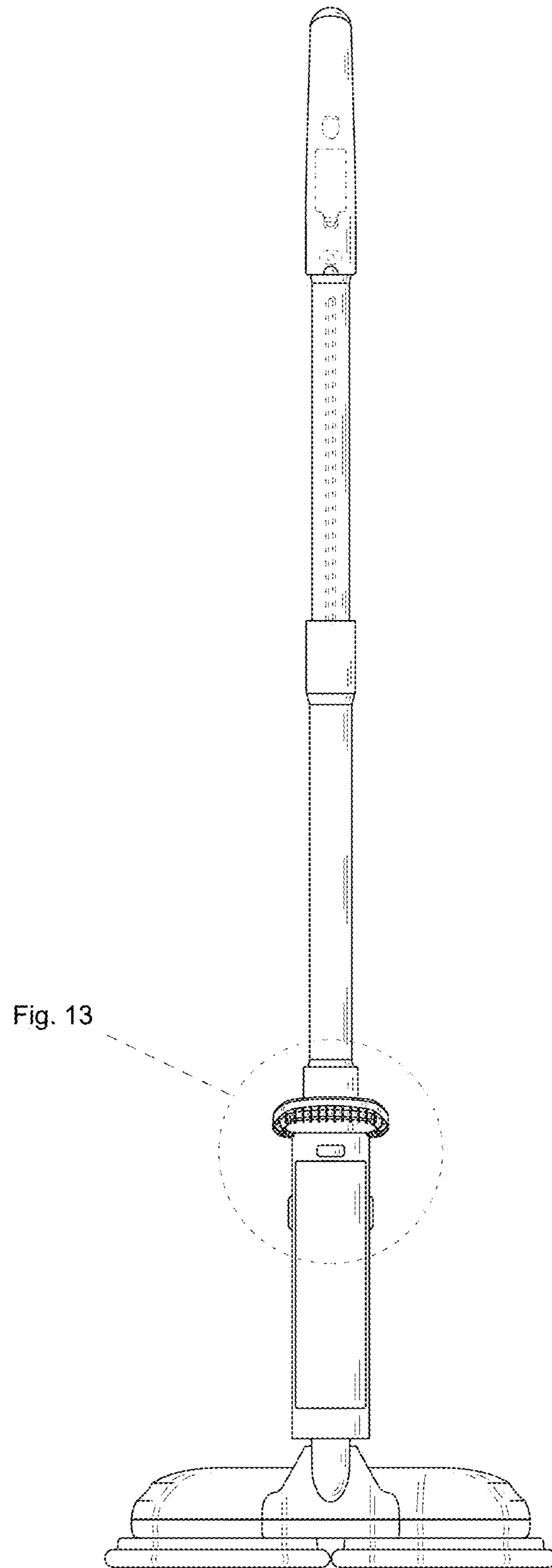


FIG. 4

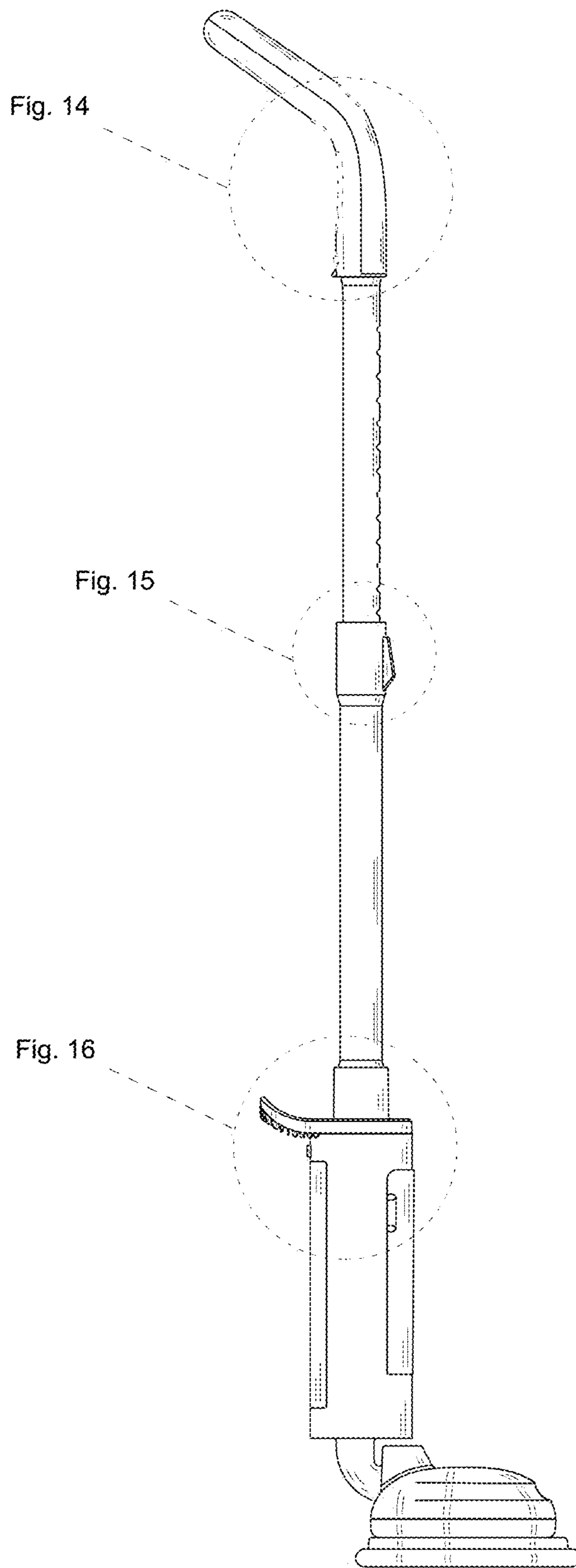


FIG. 5

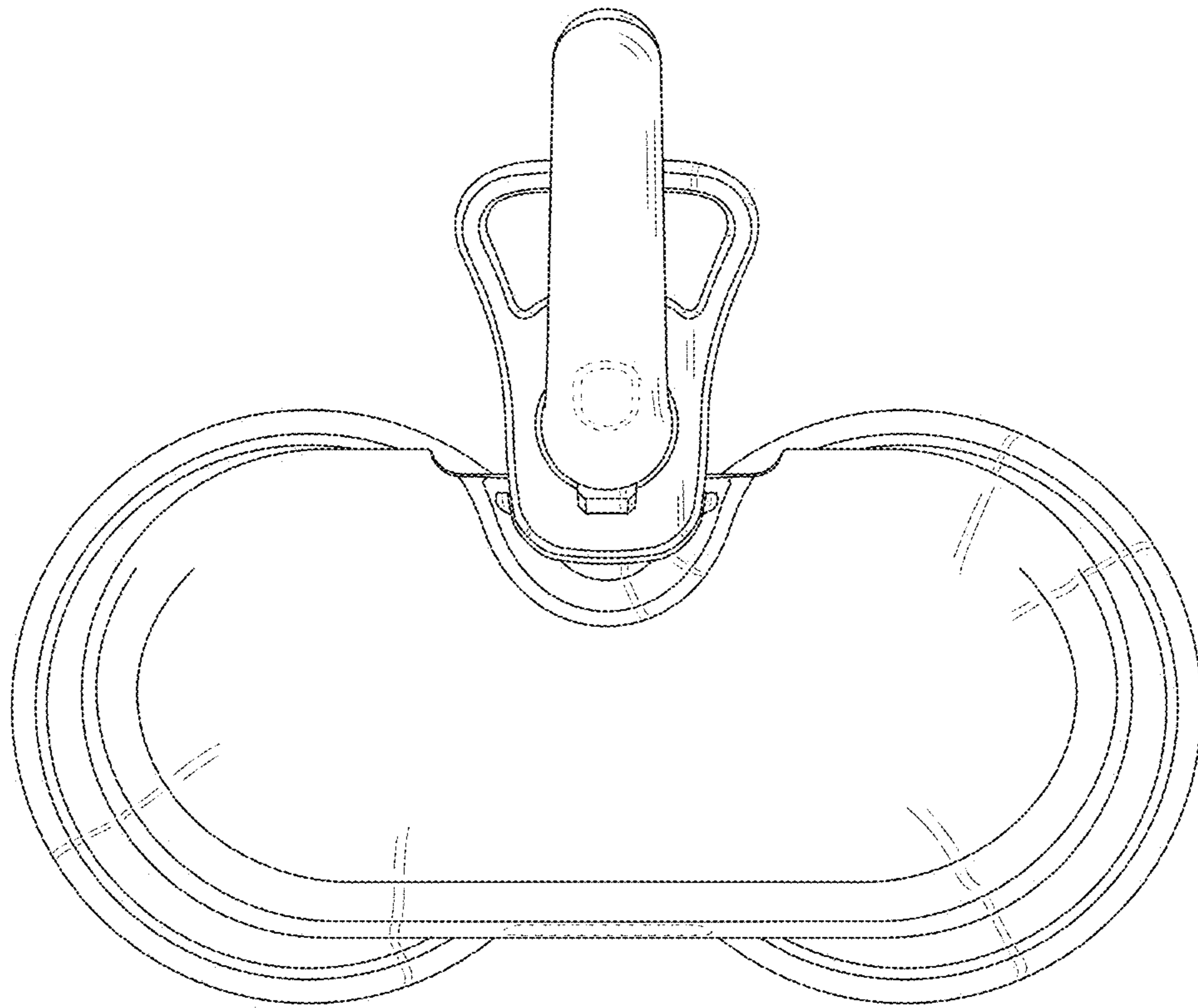


FIG. 6

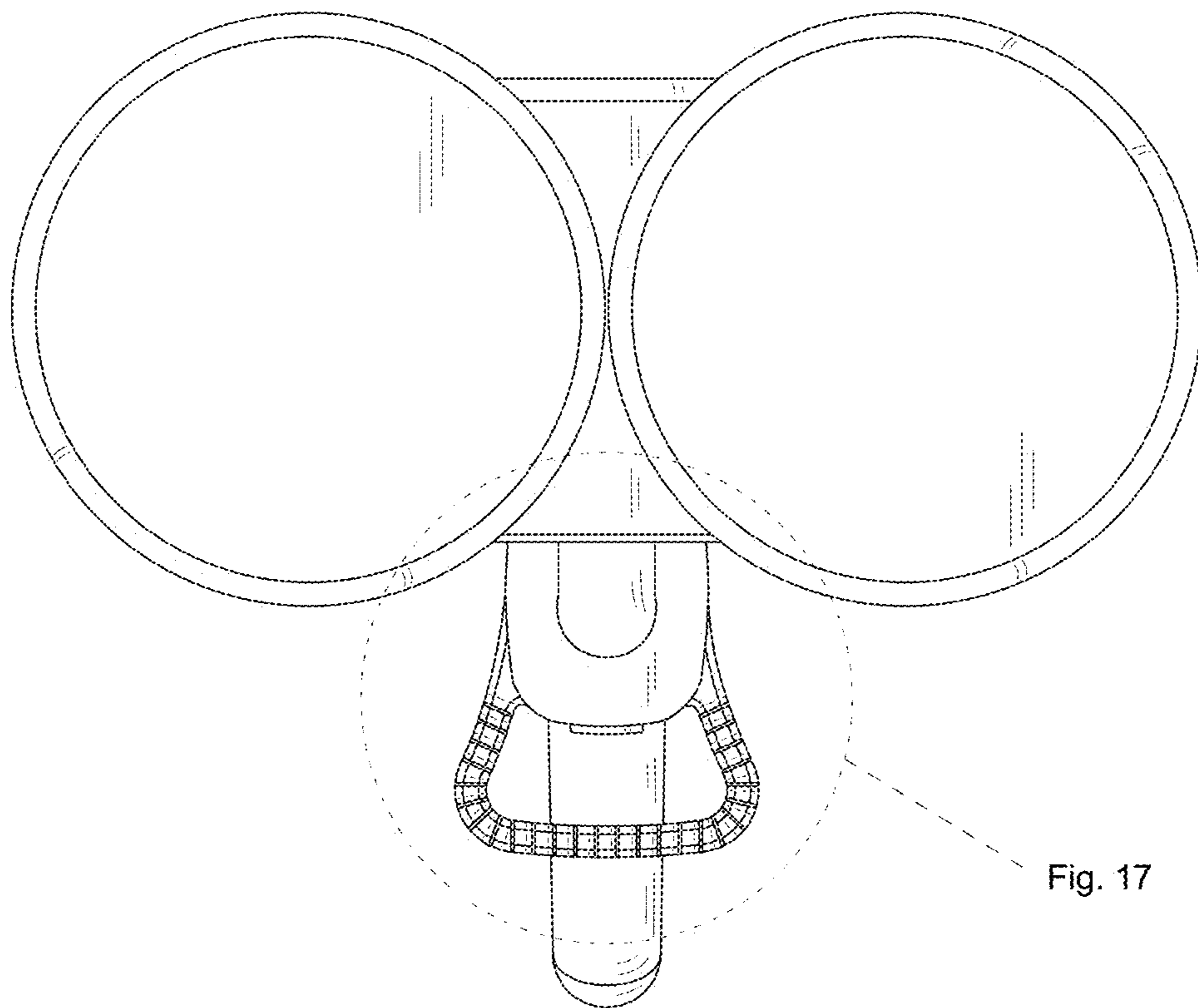


Fig. 17

FIG. 7

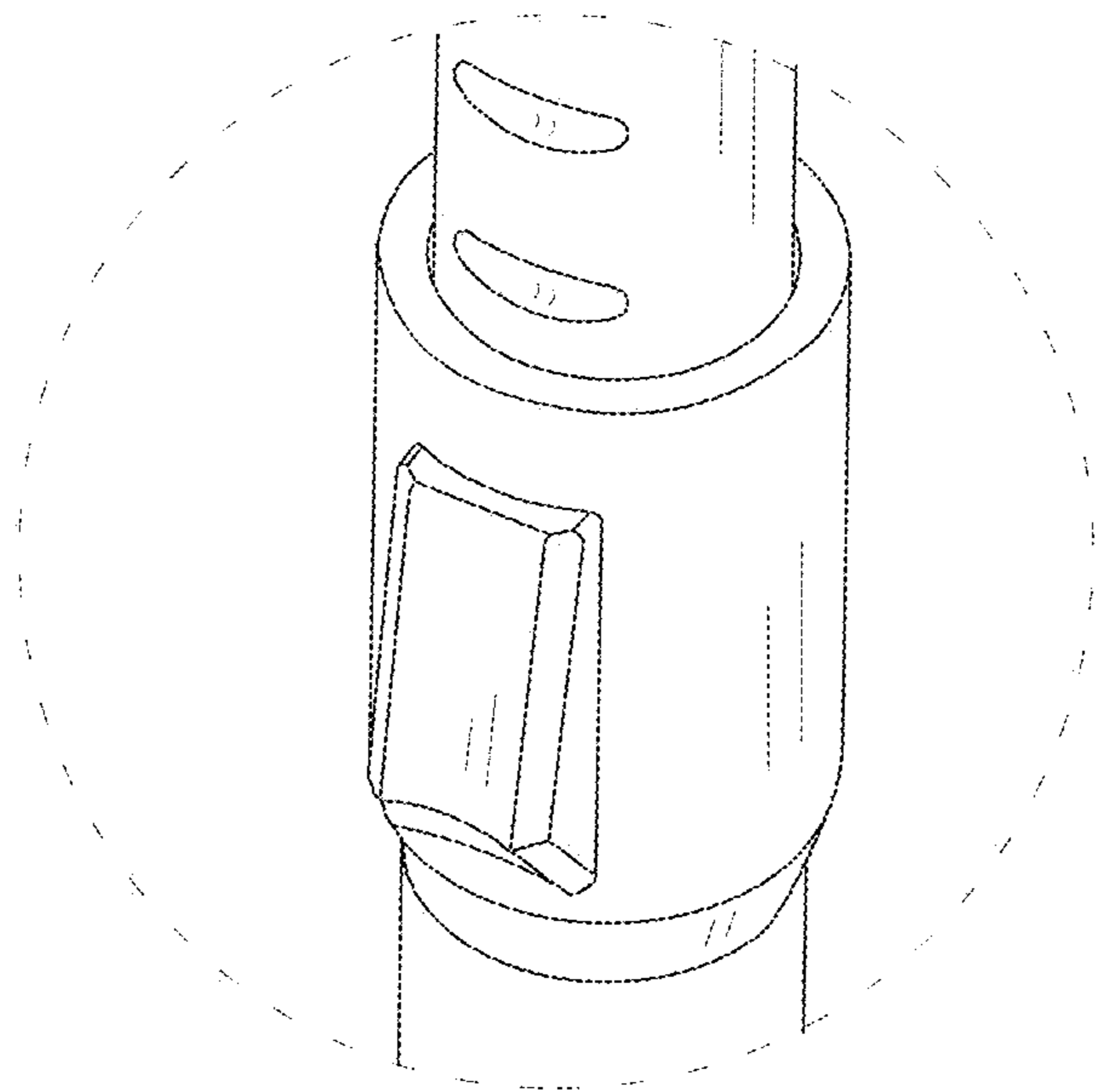


FIG. 8

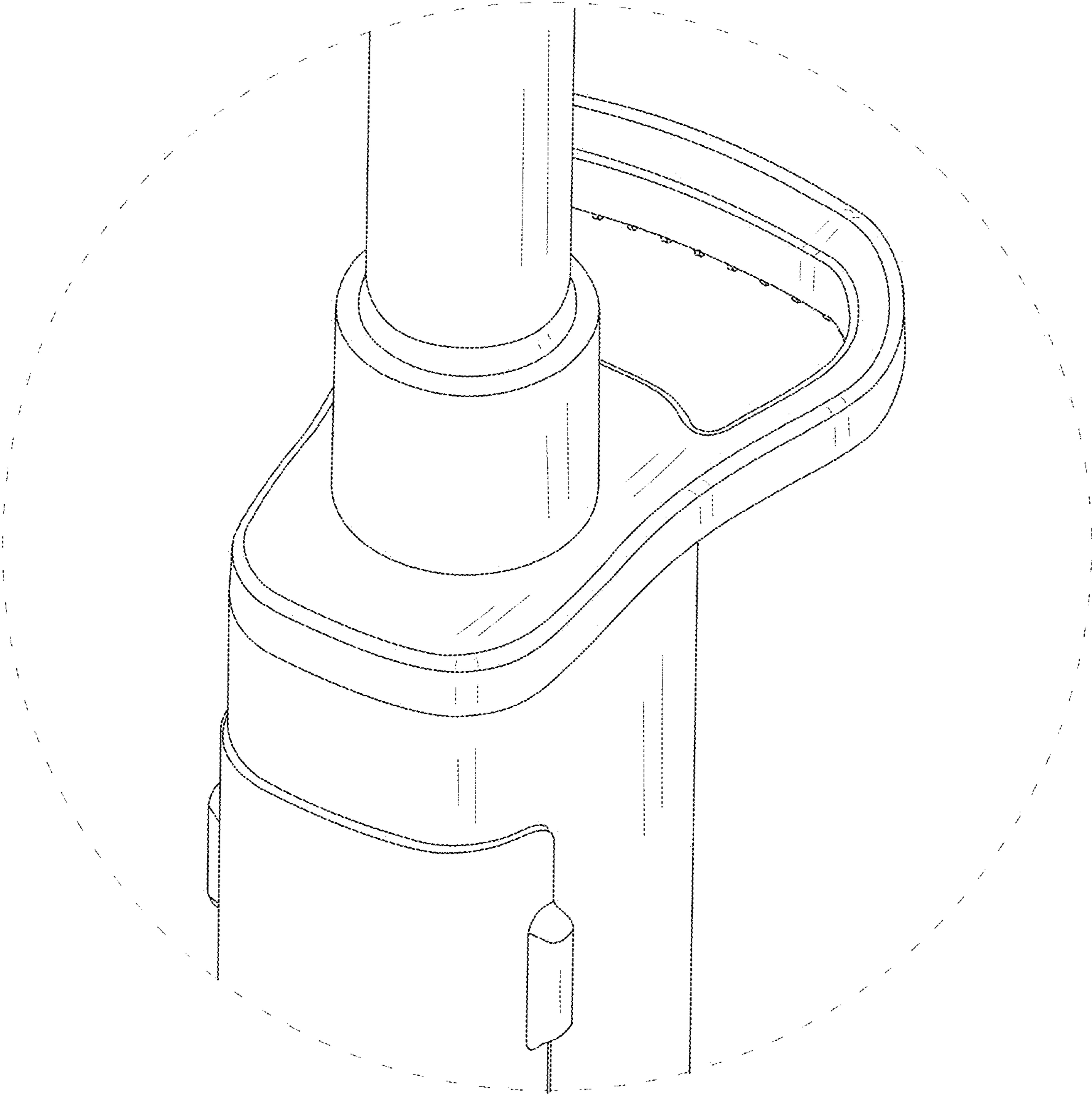


FIG. 9

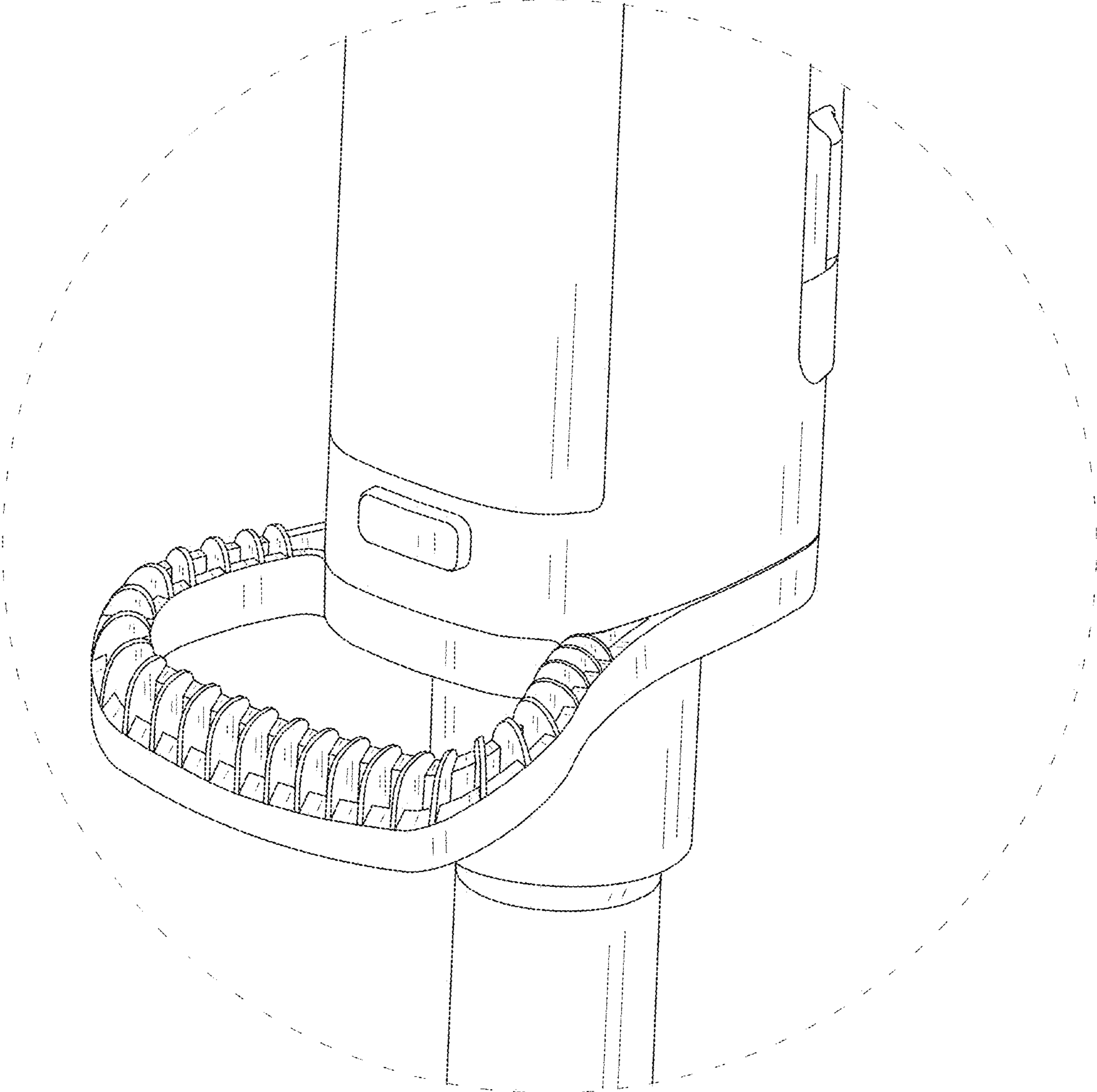


FIG. 10

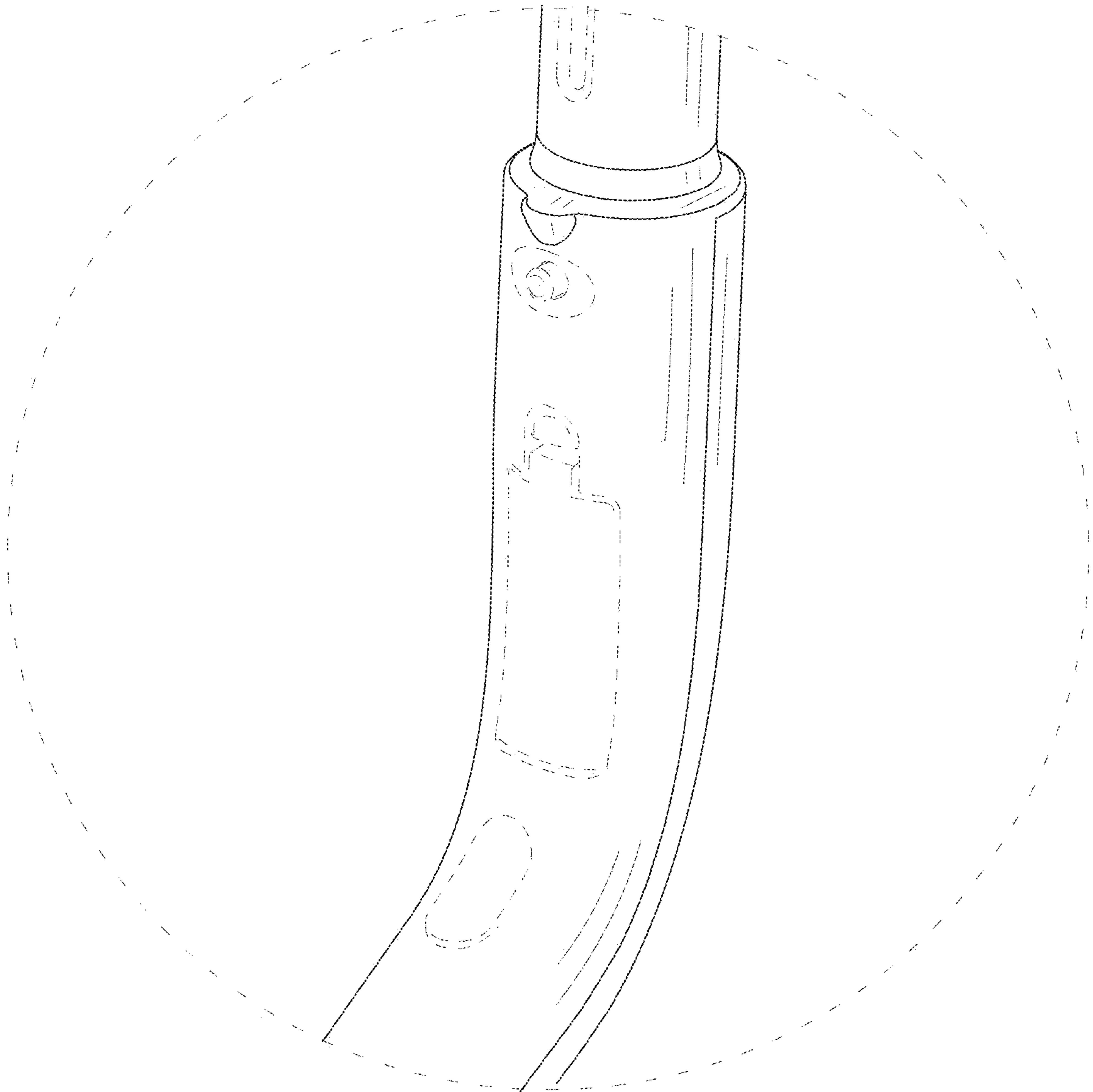


FIG. 11

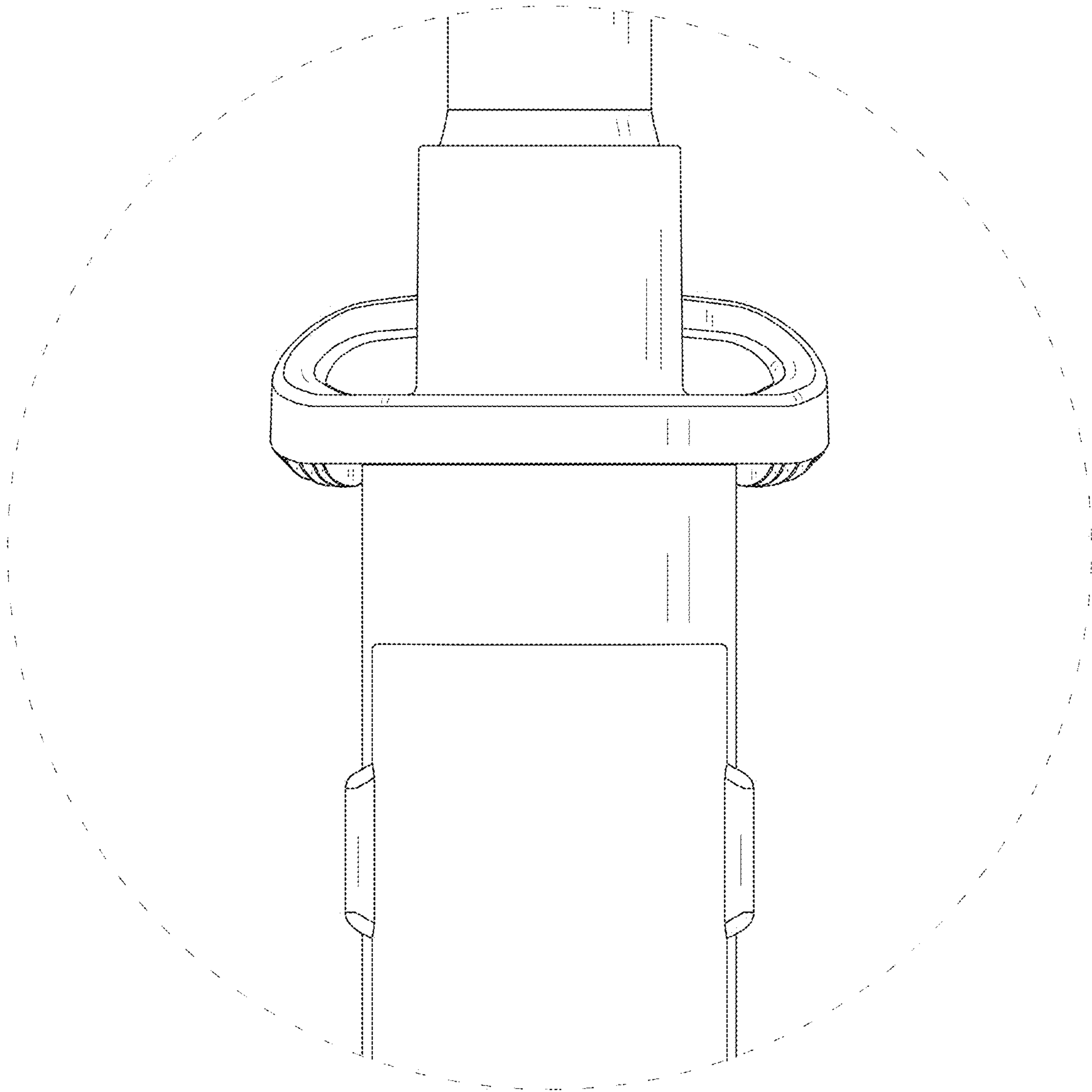


FIG. 12

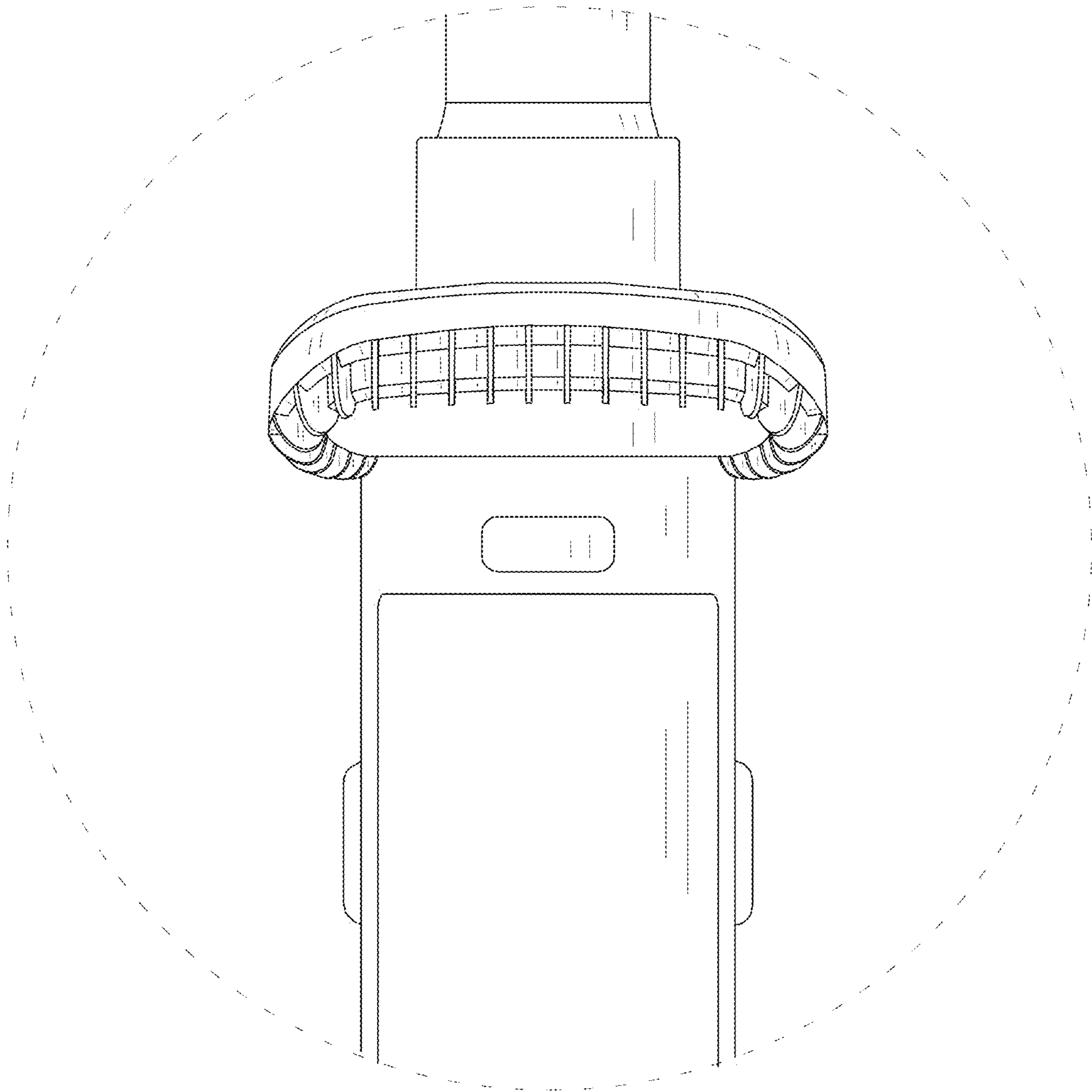


FIG. 13

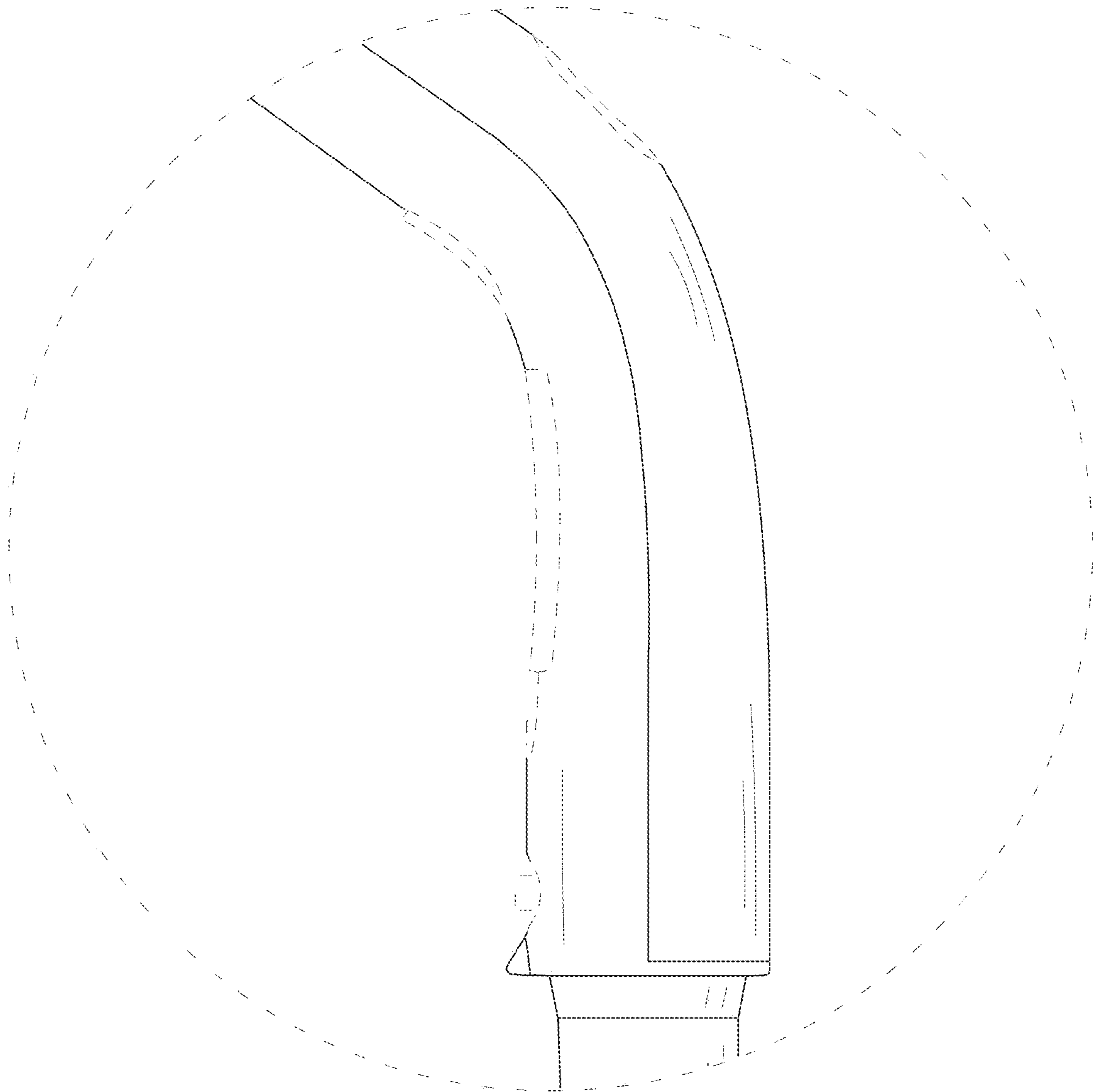


FIG. 14

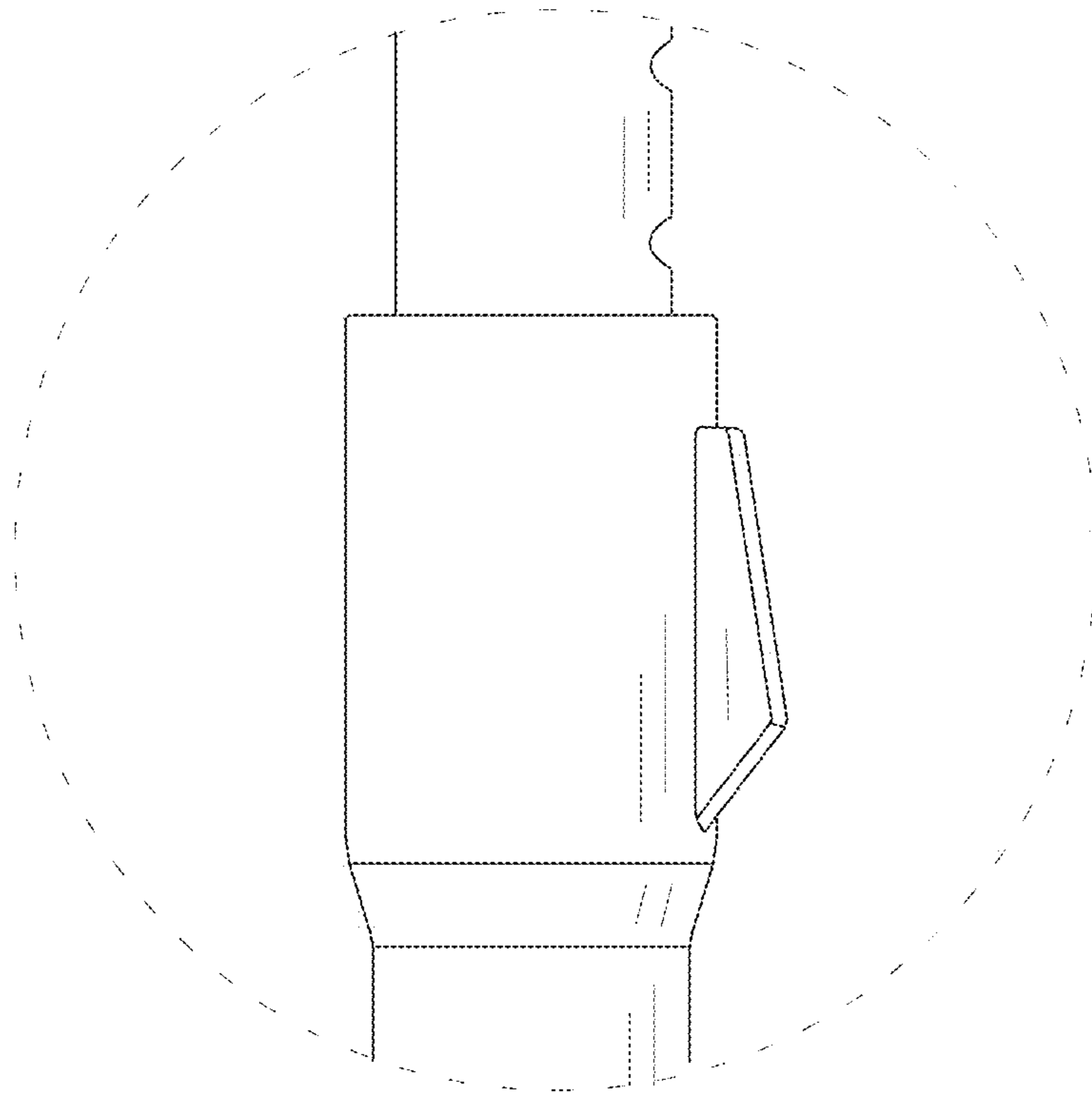


FIG. 15

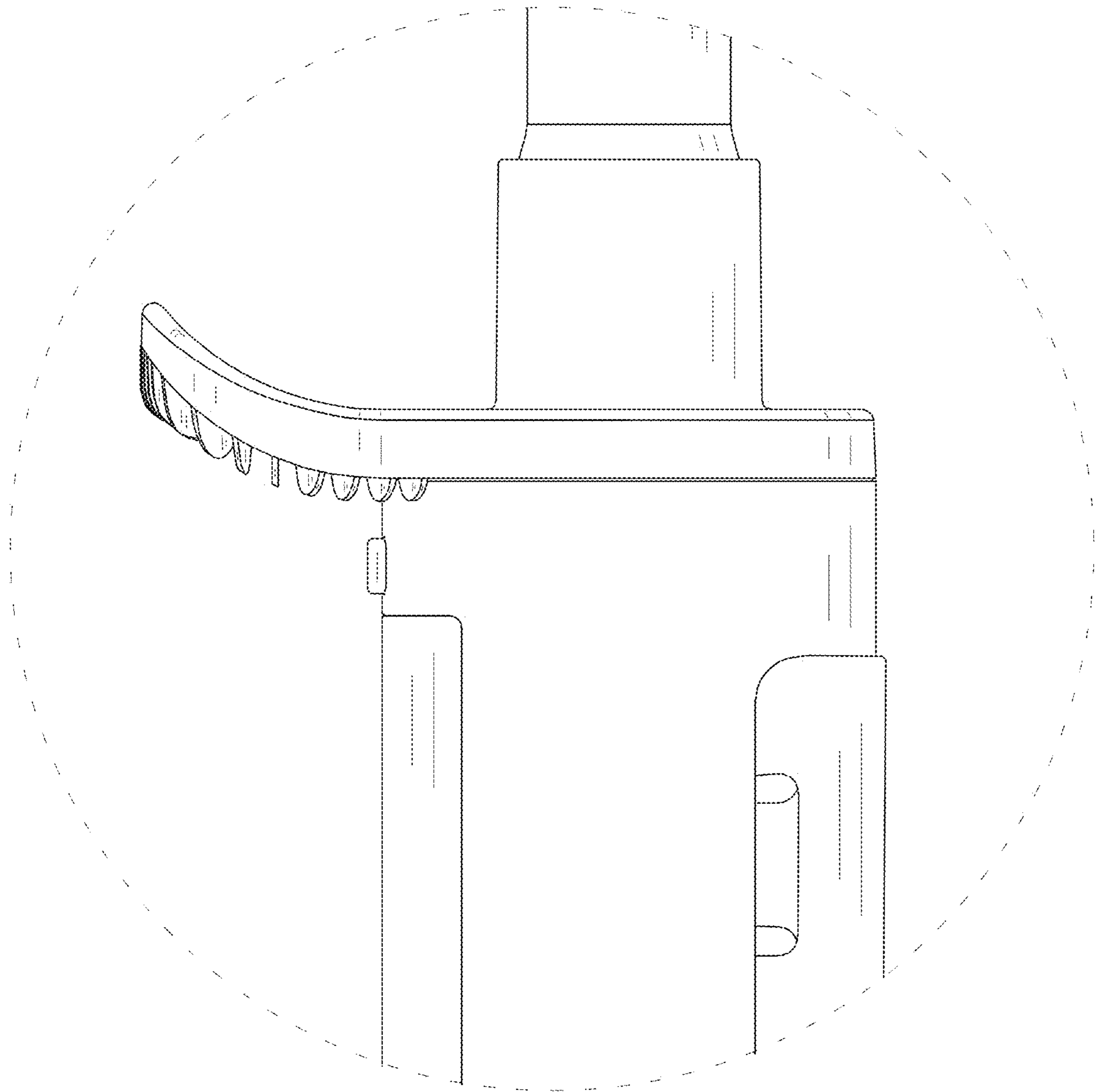


FIG. 16

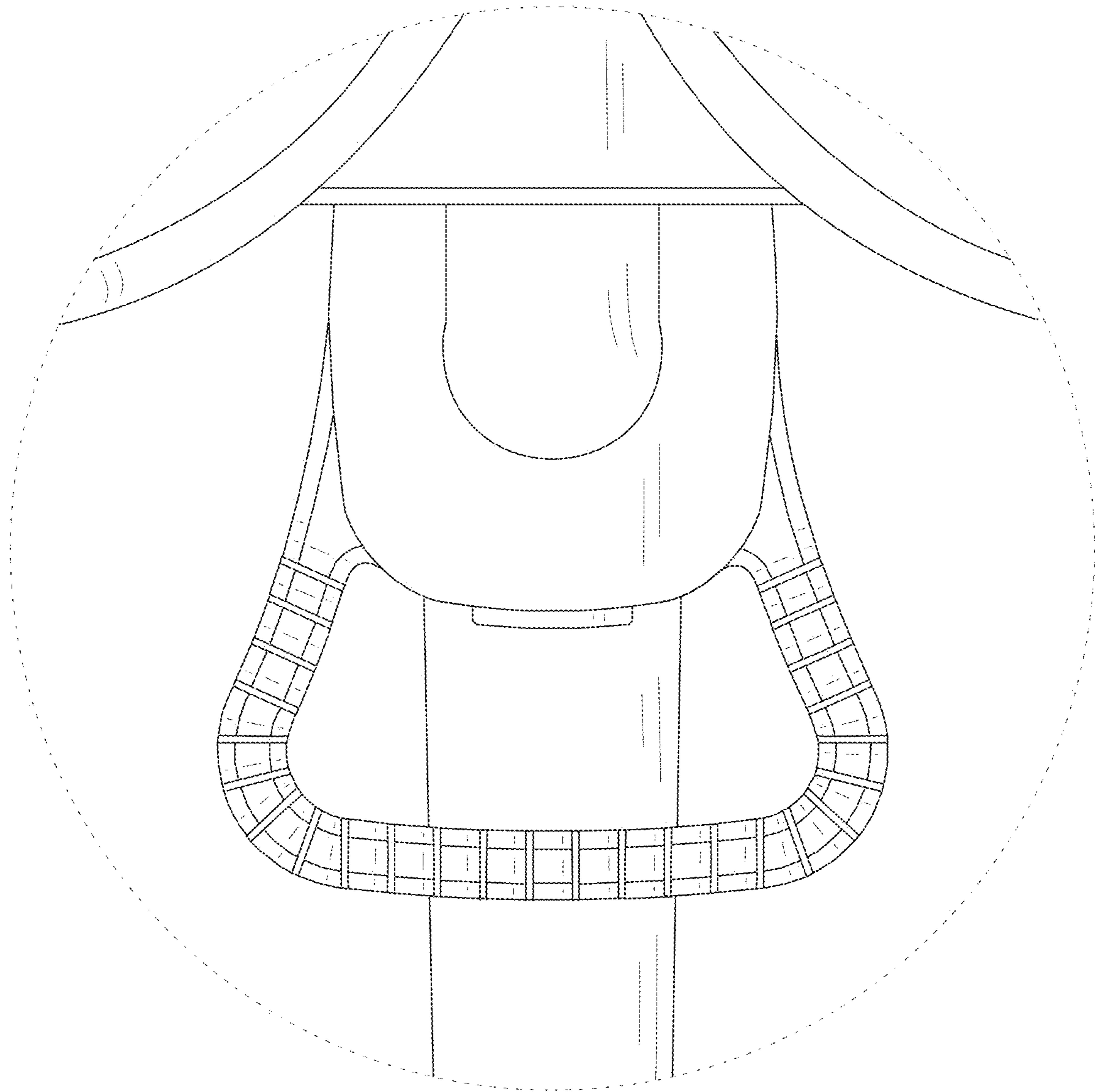


FIG. 17

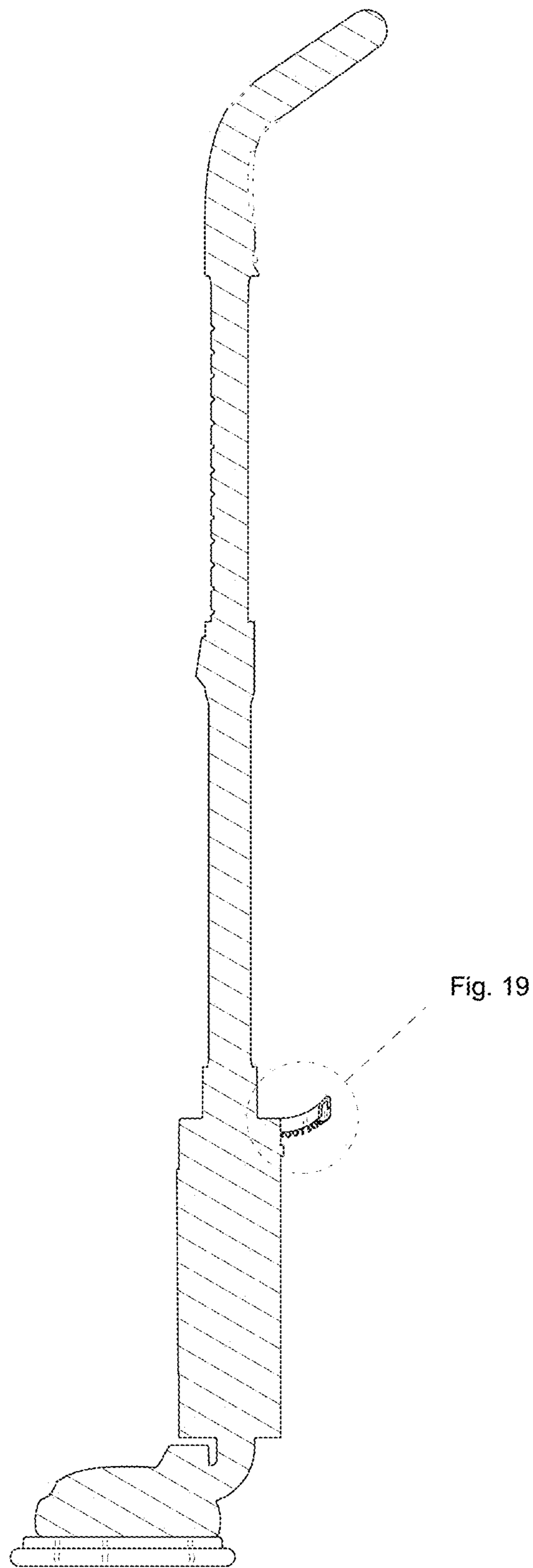


FIG. 18

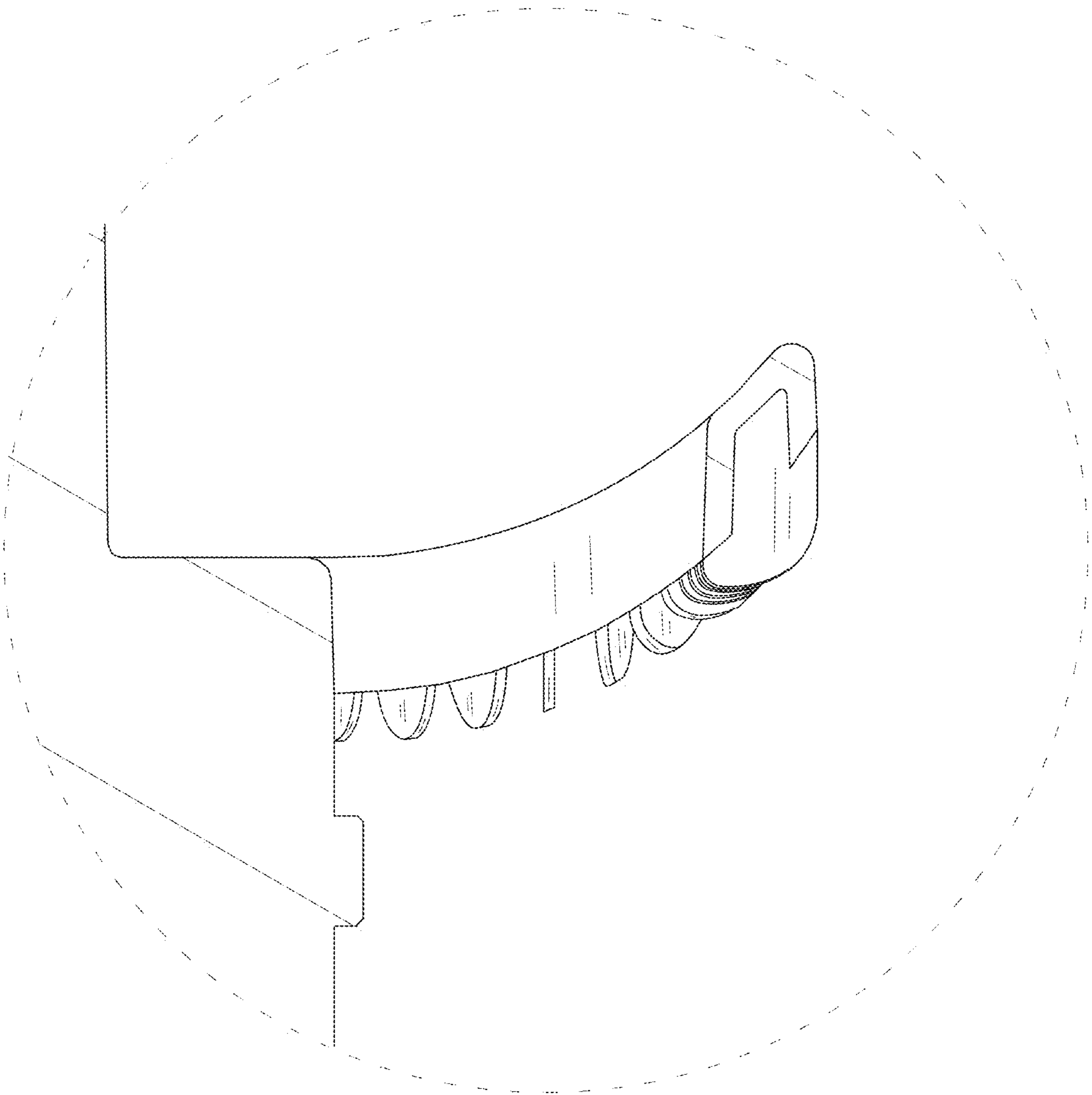


FIG. 19