



US00D982863S

(12) **United States Design Patent**
Cao

(10) **Patent No.:** **US D982,863 S**
(45) **Date of Patent:** **** Apr. 4, 2023**

(54) **MOP**

(71) Applicant: **Shenzhen Sipumai Electronics Co., Ltd.**, Guangdong (CN)

(72) Inventor: **Yongjian Cao**, Fujian (CN)

(73) Assignee: **Shenzhen Sipumai Electronics Co., Ltd.**, Guangdong (CN)

(**) Term: **15 Years**

(21) Appl. No.: **29/809,316**

(22) Filed: **Sep. 27, 2021**

(51) **LOC (14) Cl.** **07-05**

(52) **U.S. Cl.**
USPC **D32/45**

(58) **Field of Classification Search**
USPC ... D32/15, 18, 20-22, 24-25, 31-33, 38-40, D32/45, 50-52; D4/100, 121, 199; D30/162; D21/526
CPC A46B 11/001; A46B 11/002; A47L 1/06; A47L 1/08; A47L 13/22; A47L 13/225; A47L 13/256; A47L 13/258; A47L 13/312; A47L 13/44; A47L 13/51; B05B 12/002; B05C 17/00; B08B 1/00; B25G 1/04; B25G 1/10; B60S 3/045
See application file for complete search history.

(56) **References Cited**

U.S. PATENT DOCUMENTS

D486,616 S	*	2/2004	Hall	D32/45
D487,174 S	*	2/2004	Colman	D32/45
D514,267 S	*	1/2006	Tsai	D32/45
D548,909 S	*	8/2007	Murray	D32/45
D549,414 S	*	8/2007	Van Landingham, Jr.	D32/50
D591,921 S	*	5/2009	Rosenzweig	A47L 13/225 D32/45
D607,167 S	*	12/2009	Libman	D32/45
D657,518 S	*	4/2012	McGee et al.		
D663,906 S	*	7/2012	Pallant	D30/162

(Continued)

FOREIGN PATENT DOCUMENTS

CN 307314027 * 5/2022

OTHER PUBLICATIONS

Domi-patrol Spray Mop for Floor Cleaning, available in Amazon.com, date first available Jul. 13, 2020 [online], [site visited Aug. 18, 2022], Available from the internet URL: https://www.amazon.ca/dp/B088M5QLWP/ref=sspa_dk_detail_1 (Year: 2020).*

(Continued)

Primary Examiner — Jennifer Rivard

Assistant Examiner — Jennylou M Binas

(74) *Attorney, Agent, or Firm* — ScienBiziP, P.C.

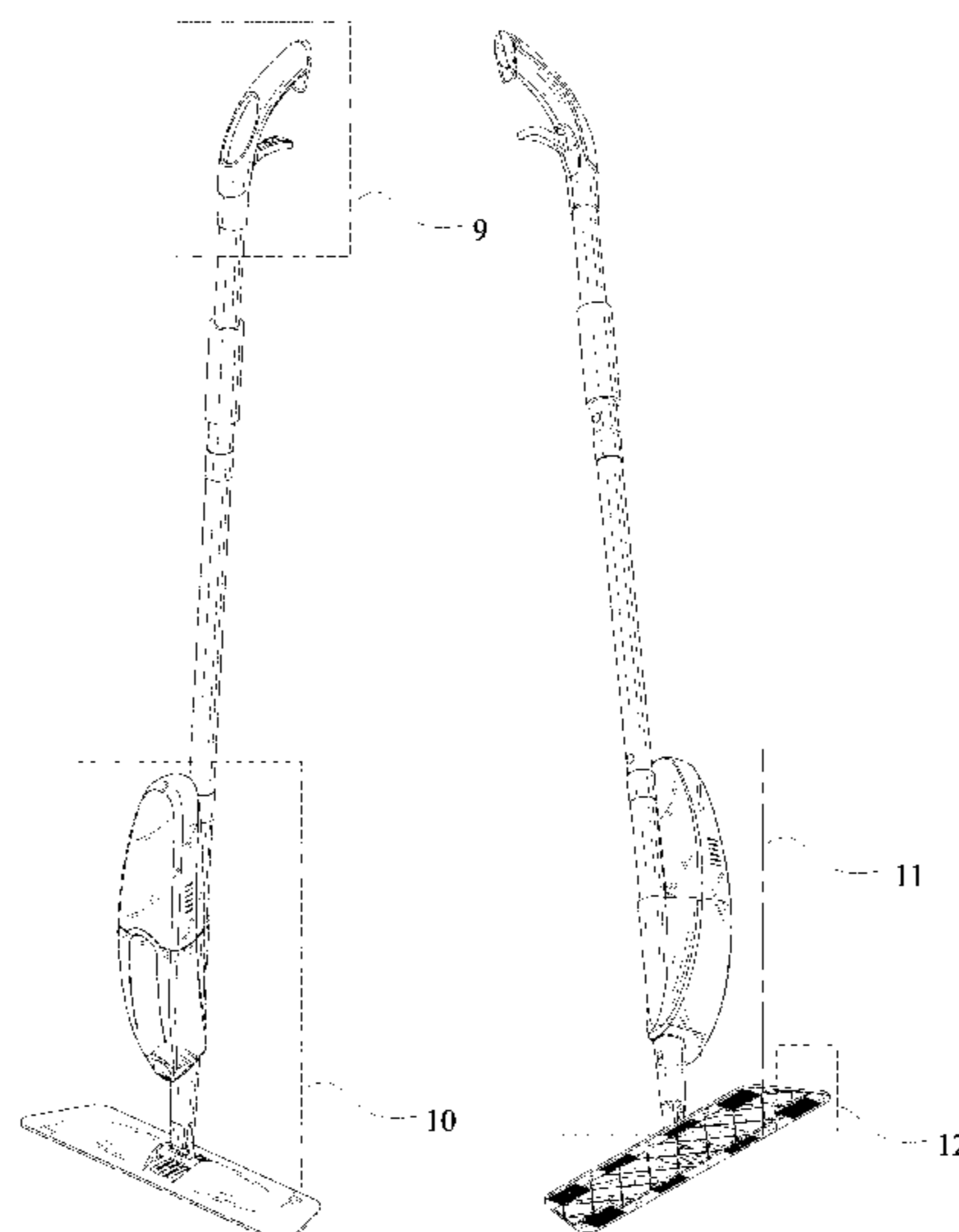
(57) **CLAIM**

The ornamental design for a mop, as shown and described.

DESCRIPTION

FIG. 1 is a front, right and top perspective view of a mop, showing my design.
FIG. 2 is a rear, left and bottom perspective view thereof.
FIG. 3 is a front elevation view thereof.
FIG. 4 is a rear elevation view thereof.
FIG. 5 is a left side elevation view thereof.
FIG. 6 is a right side elevation view thereof.
FIG. 7 is a top plan view thereof.
FIG. 8 is a bottom plan view thereof.
FIG. 9 is a partial enlarged view of an area labeled 9 in FIG. 1 comprising a handle.
FIG. 10 is a partial enlarged view of an area labeled 10 in FIG. 1 comprising a front side of a body.
FIG. 11 is a partial enlarged view of an area labeled 11 in FIG. 2 comprising a rear side of a body; and,
FIG. 12 is a partial enlarged view of an area labeled 12 in FIG. 2 comprising a corner of a mop head.

1 Claim, 12 Drawing Sheets



(56)

References Cited

U.S. PATENT DOCUMENTS

D673,748	S *	1/2013	Snyder	D32/45
D685,968	S *	7/2013	Smith	D32/45
D703,407	S *	4/2014	Xiong	D32/45
8,834,053	B2 *	9/2014	Van Landingham, Jr.	A47L 13/22
				401/138
D765,330	S *	8/2016	Lentine	D32/45
9,788,702	B1 *	10/2017	Zhu	A47L 13/22
D810,371	S *	2/2018	Lentine	D32/45
D866,108	S	11/2019	Palladino	
D934,521	S *	10/2021	Piksa	D32/45
D959,777	S *	8/2022	Tang	D32/45
D962,571	S *	8/2022	Tang	D32/45
11,419,473	B2 *	8/2022	Johnson	A47L 11/4002
11,426,038	B2 *	8/2022	James	A47L 9/02
11,426,049	B2 *	8/2022	McDonnell	A47L 13/22
2012/0195674	A1 *	8/2012	Mandle	A46B 11/002
				15/115

OTHER PUBLICATIONS

Tina&Tony Microfiber Spray Mop, available in Amazon.com, date first available May 14, 2021 [online], [site visited Aug. 18, 2022], Available from the internet URL: https://www.amazon.ca/dp/B08XW2NTCT/ref=sspa_dk_detail_3 (Year: 2021).*

* cited by examiner

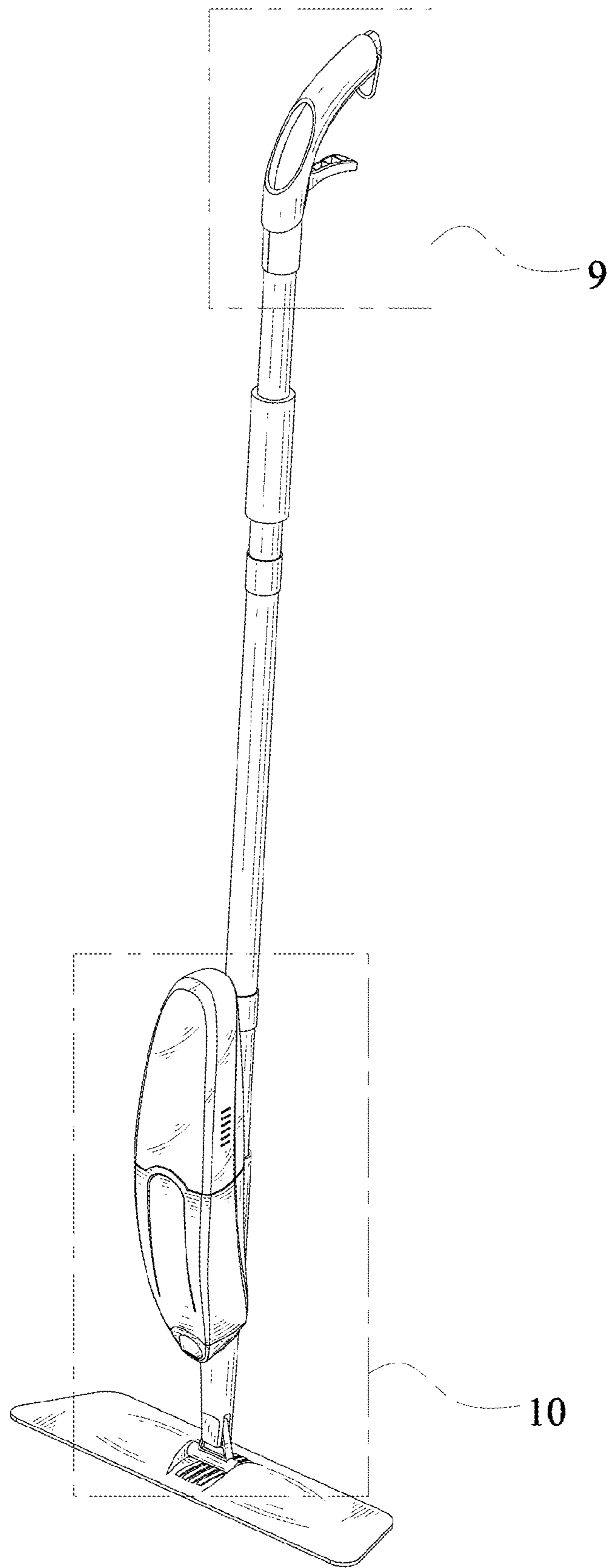


FIG. 1

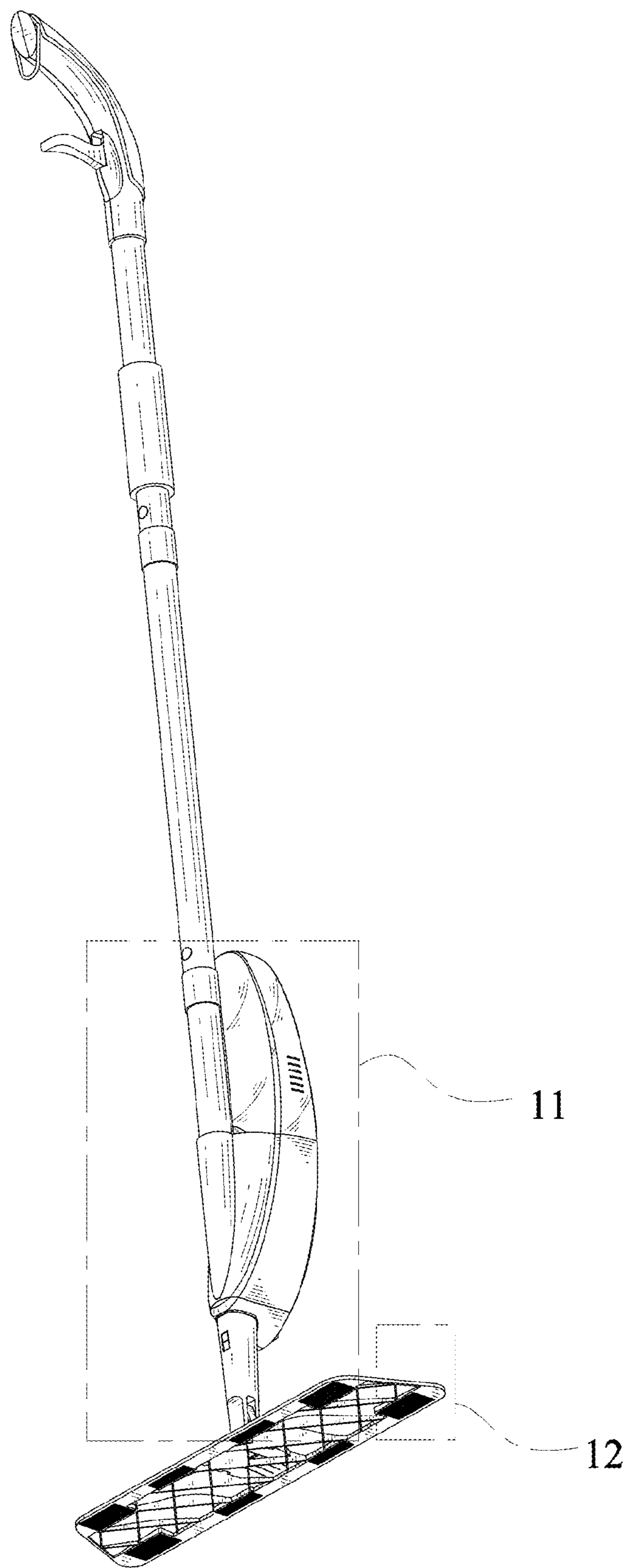


FIG. 2

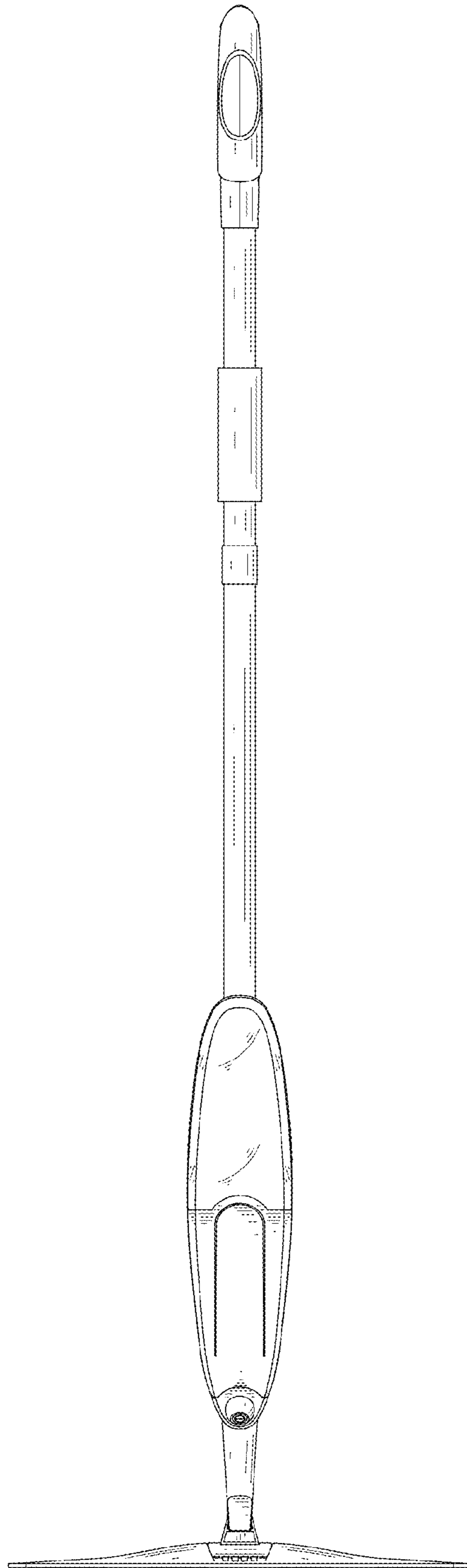


FIG. 3

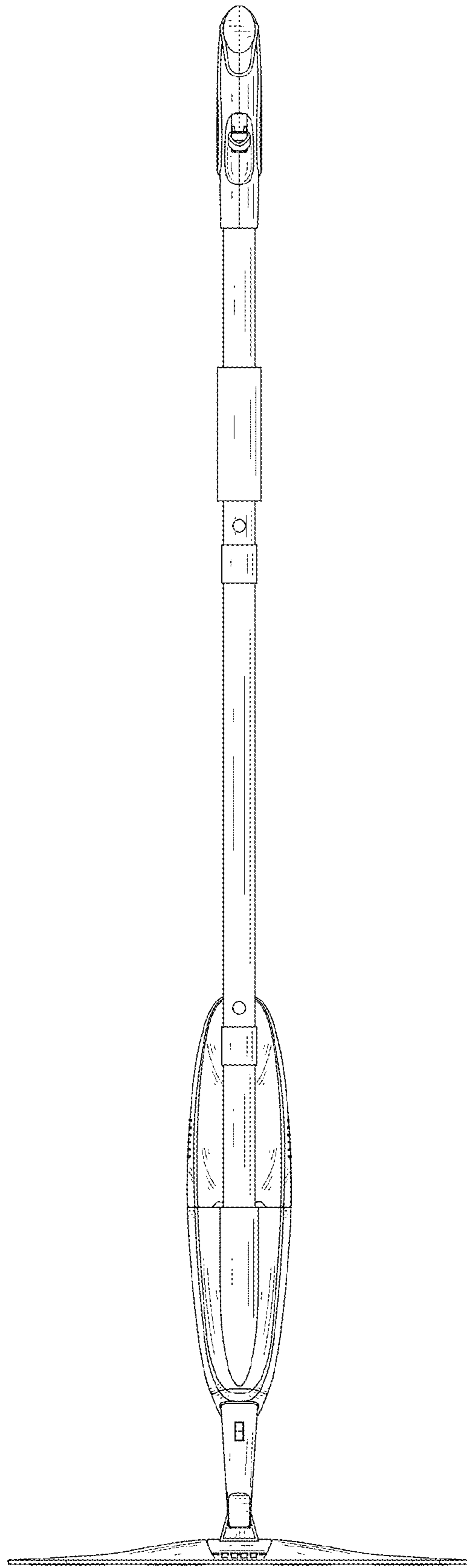


FIG. 4

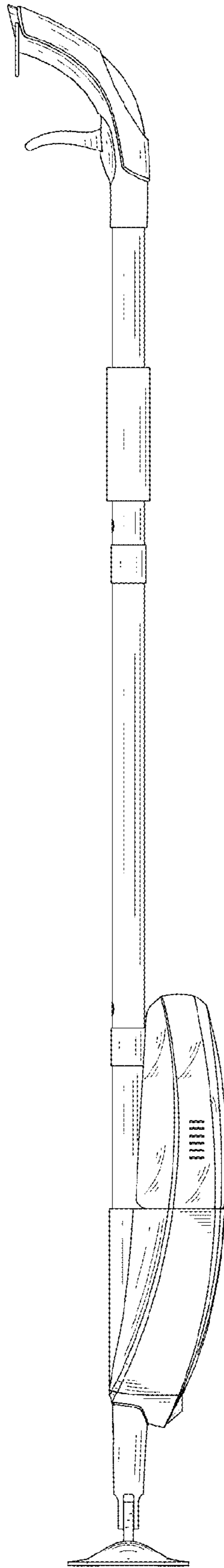


FIG. 5

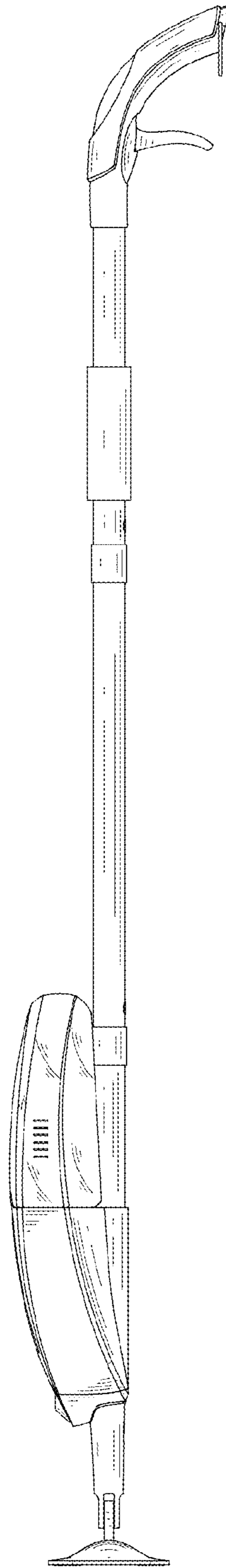


FIG. 6

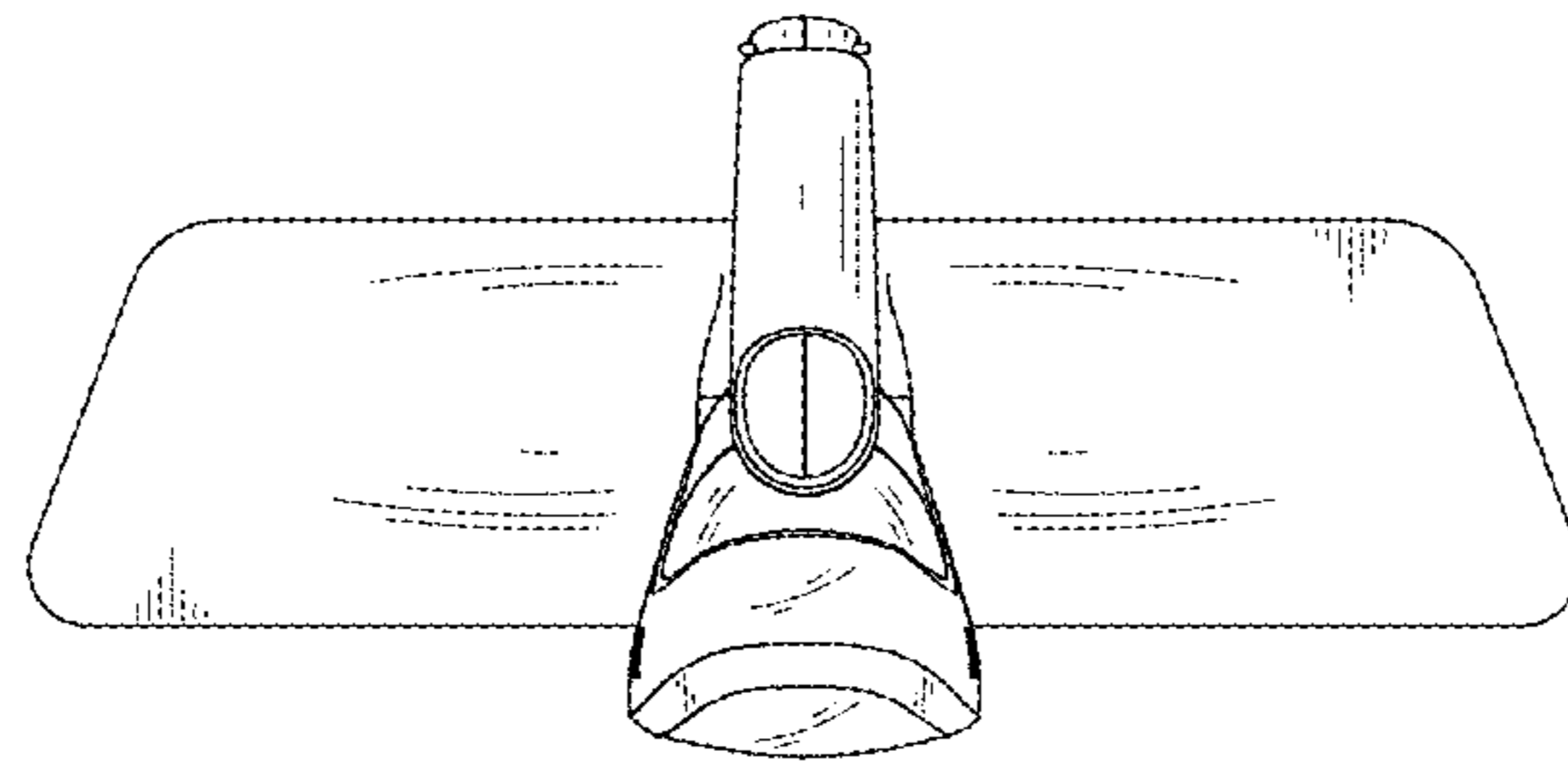


FIG. 7

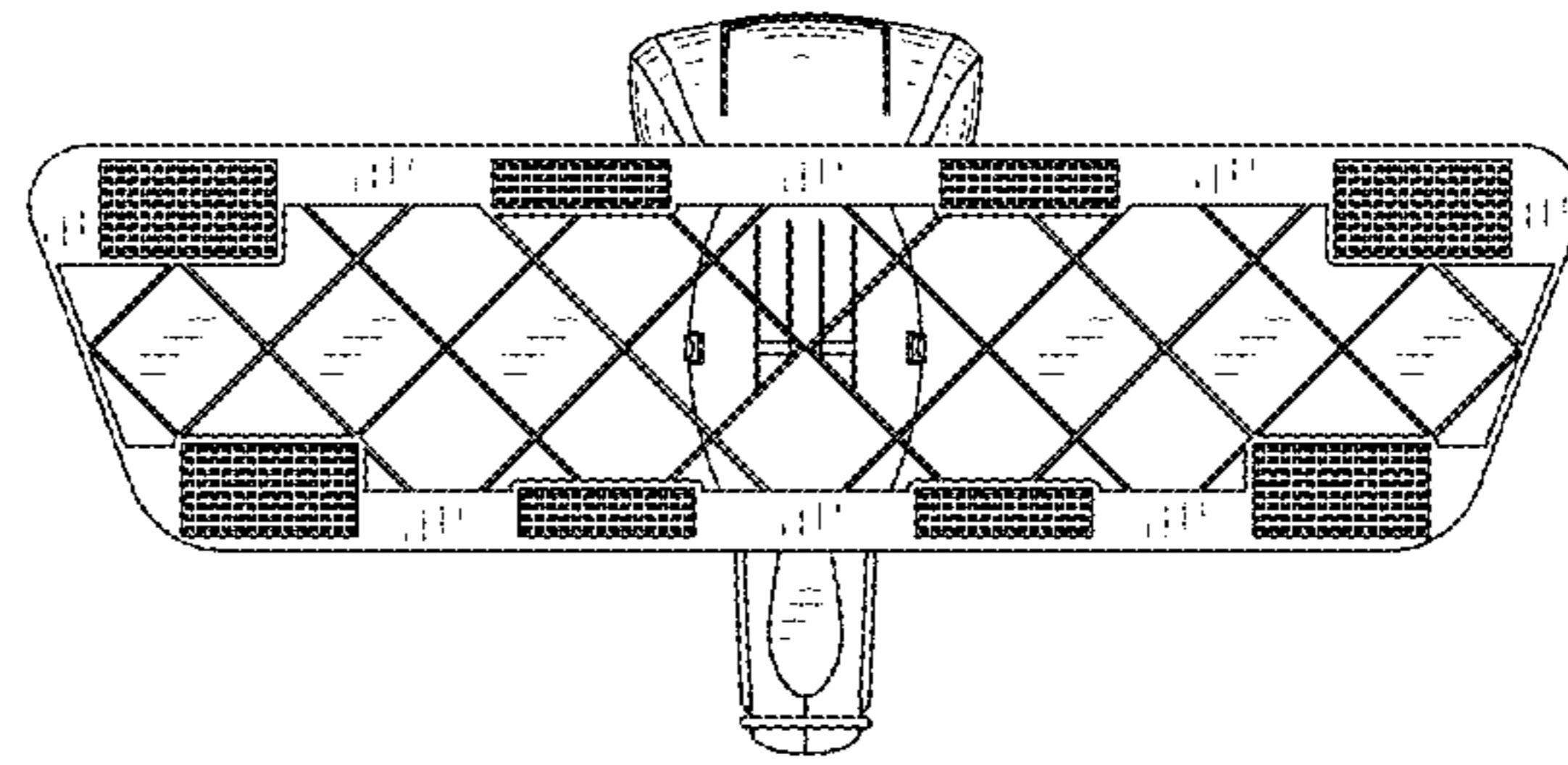


FIG. 8

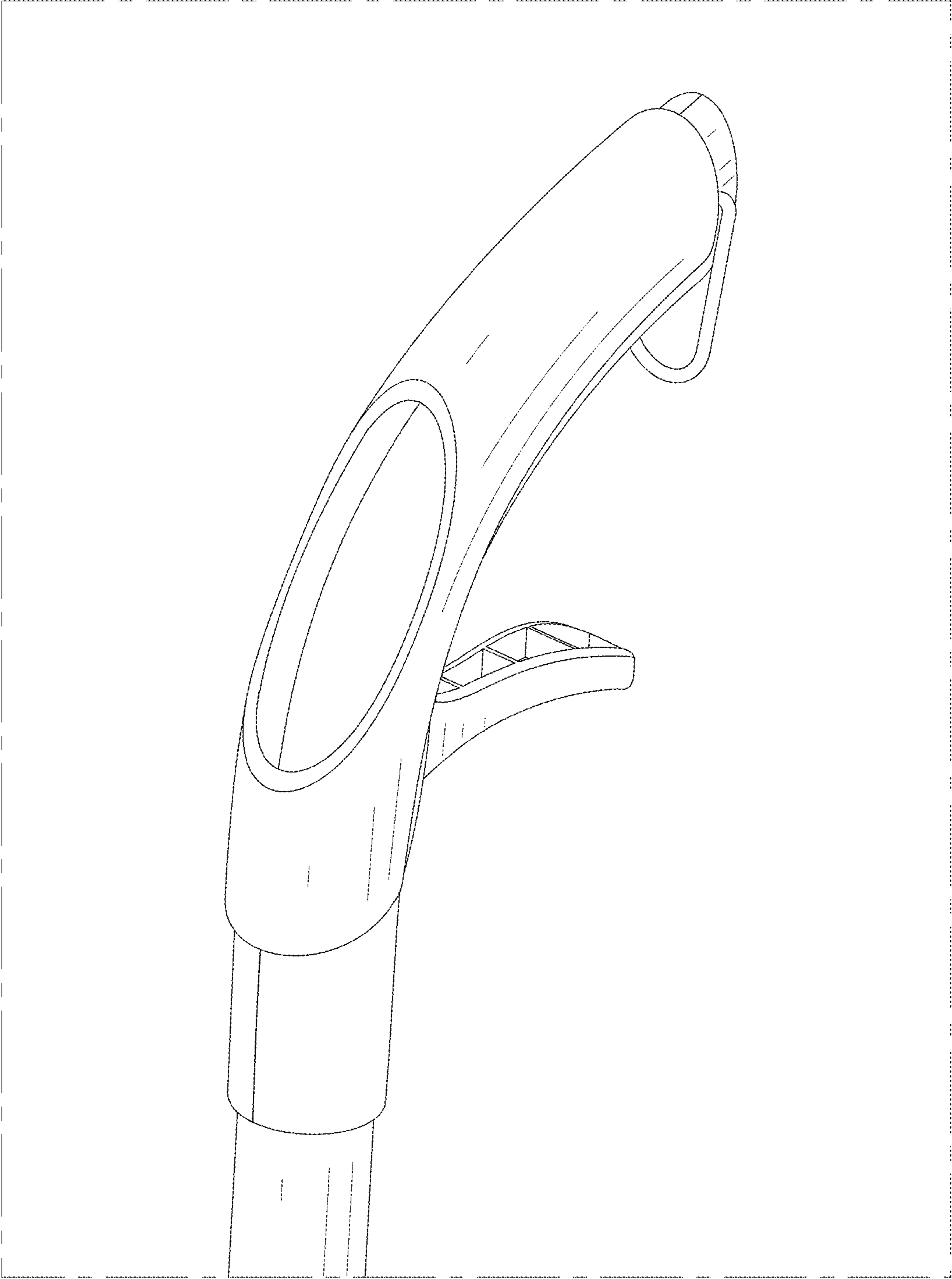


FIG. 9

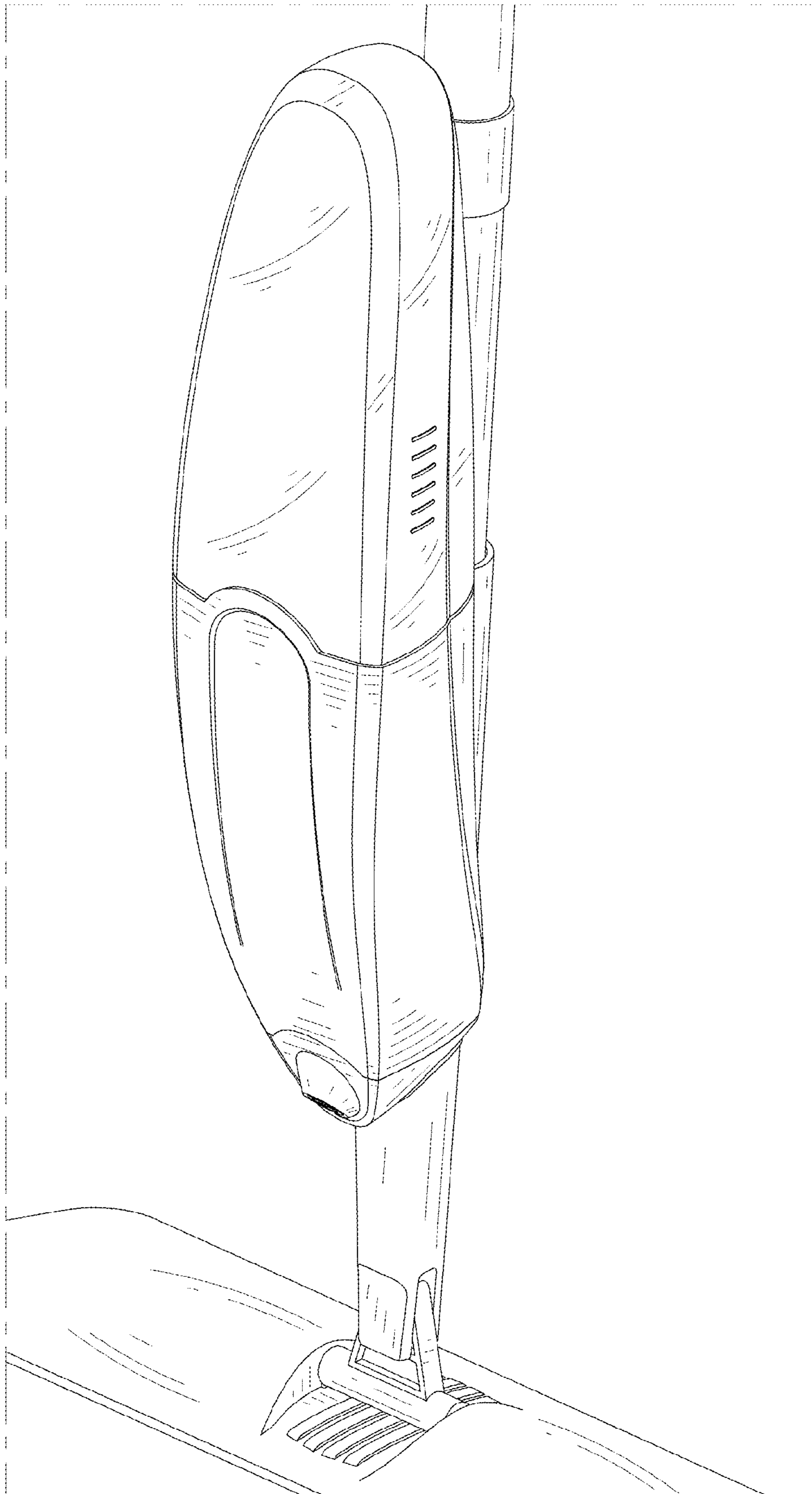


FIG. 10

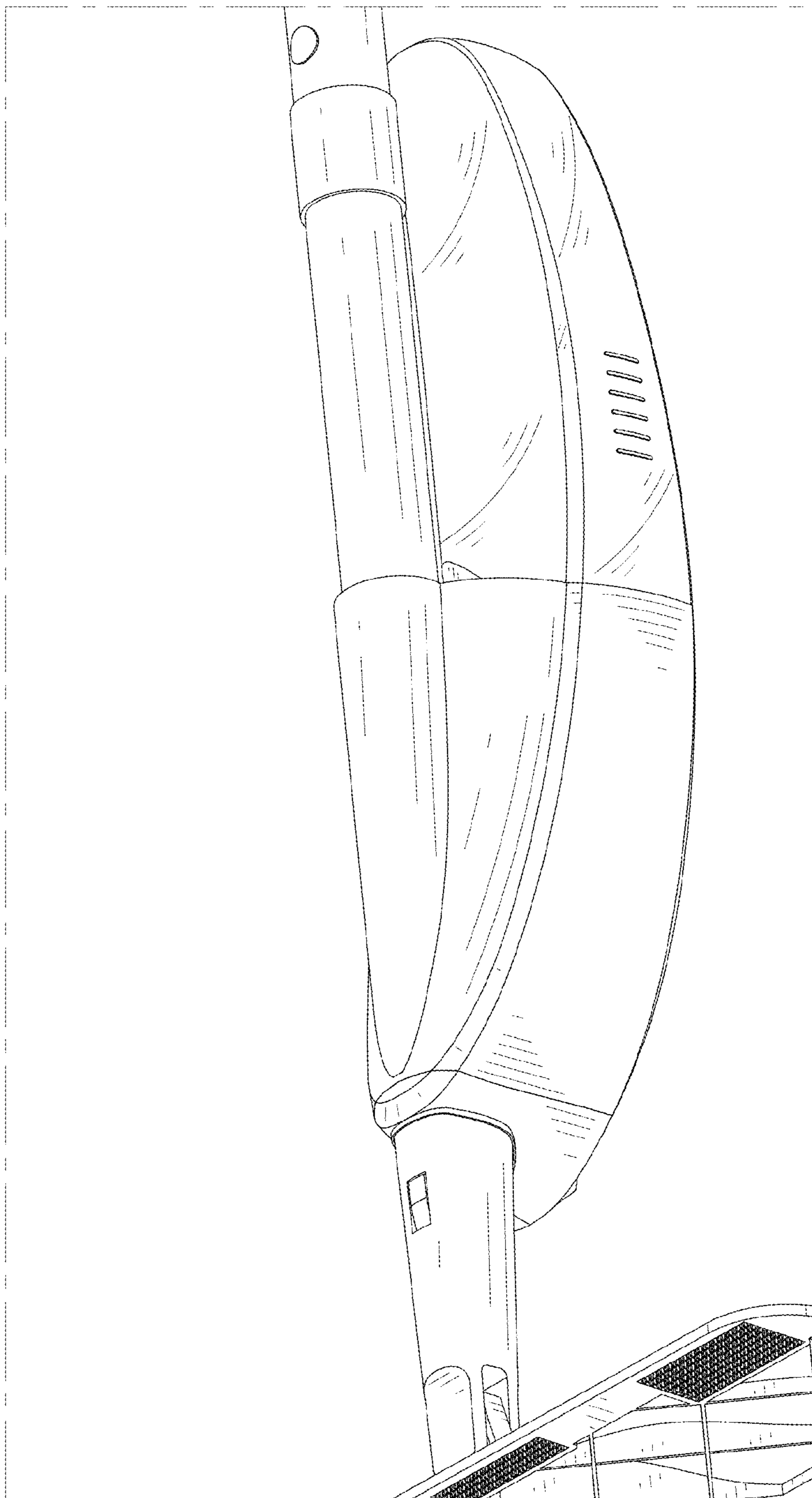


FIG. 11

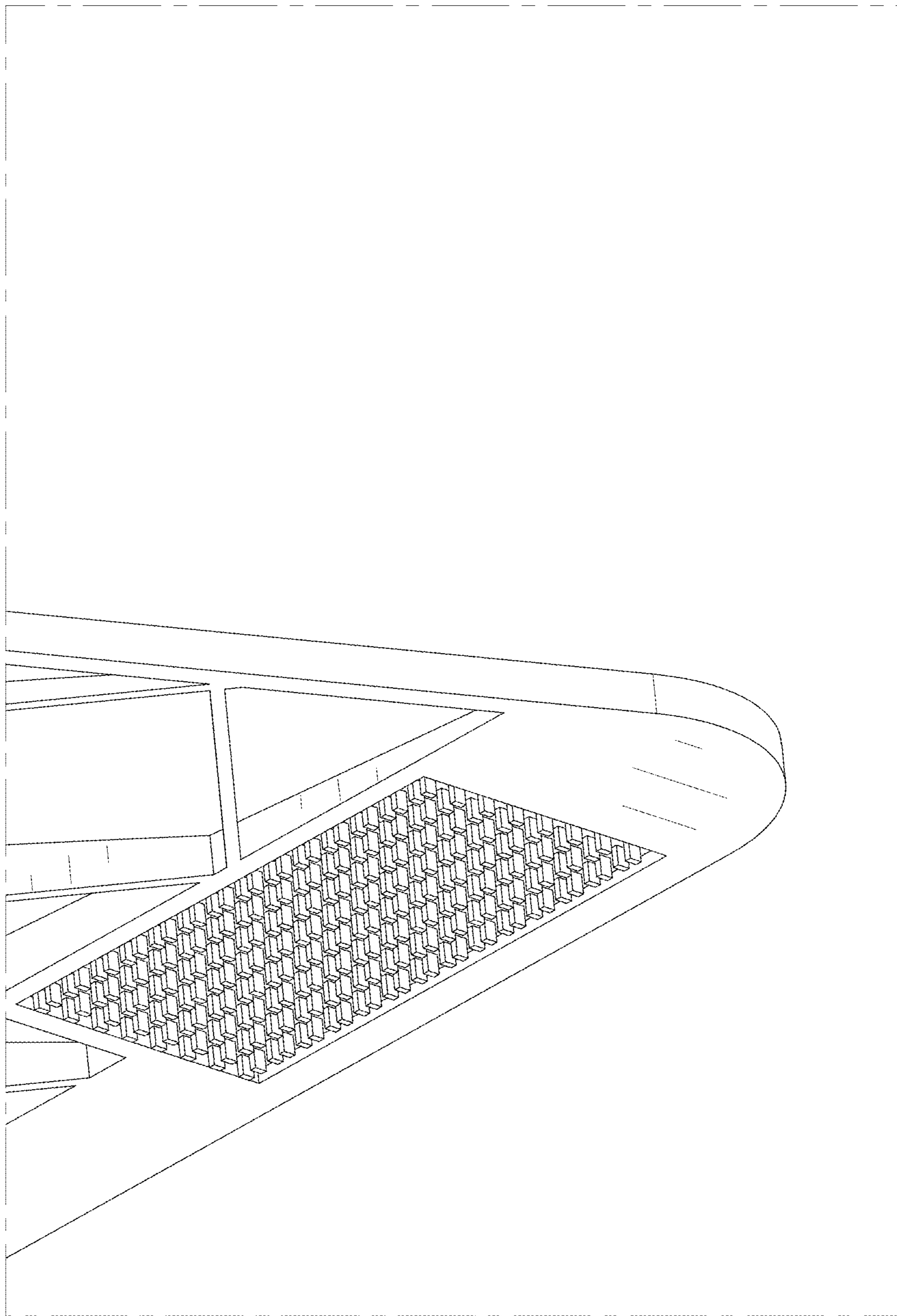


FIG. 12