



US00D982861S

(12) **United States Design Patent**
Mercier

(10) **Patent No.:** **US D982,861 S**

(45) **Date of Patent:** **** Apr. 4, 2023**

(54) **LATCH FOR A FILTERING DEVICE**

(71) Applicant: **iRobot Corporation**, Bedford, MA
(US)

(72) Inventor: **Ryan Mercier**, Boston, MA (US)

(73) Assignee: **iRobot Corporation**, Bedford, MA
(US)

(**) Term: **15 Years**

(21) Appl. No.: **29/798,364**

(22) Filed: **Jul. 7, 2021**

(51) **LOC (14) Cl.** **15-05**

(52) **U.S. Cl.**
USPC **D32/30**

(58) **Field of Classification Search**
USPC 15/347; D15/61, 99; D32/25, 30, 31;
D9/249; D8/373, 349, 354, 366, 371;
D25/68, 99

(Continued)

(56) **References Cited**

U.S. PATENT DOCUMENTS

D270,574 S * 9/1983 Black D8/371
D283,296 S * 4/1986 Bancroft D25/119

(Continued)

FOREIGN PATENT DOCUMENTS

DE 4339297 C1 * 9/1994 A47L 9/1427
DE 4429342 A1 * 2/1996 A47L 9/1445

(Continued)

OTHER PUBLICATIONS

hainafaster.com Folding Flat L Shaped Stainless Steel <https://www.hainafastener.com/Folding-Flat-L-Shaped-Stainless-Steel-304-Support-Microwave-Shelf-Angle-Corner-Bracket-for-Glass-pd46044884.html> (Year: 2023).*

(Continued)

Primary Examiner — Kevin K Rudzinski

Assistant Examiner — Richard E Yenchesky

(74) *Attorney, Agent, or Firm* — Fish & Richardson P.C.

(57) **CLAIM**

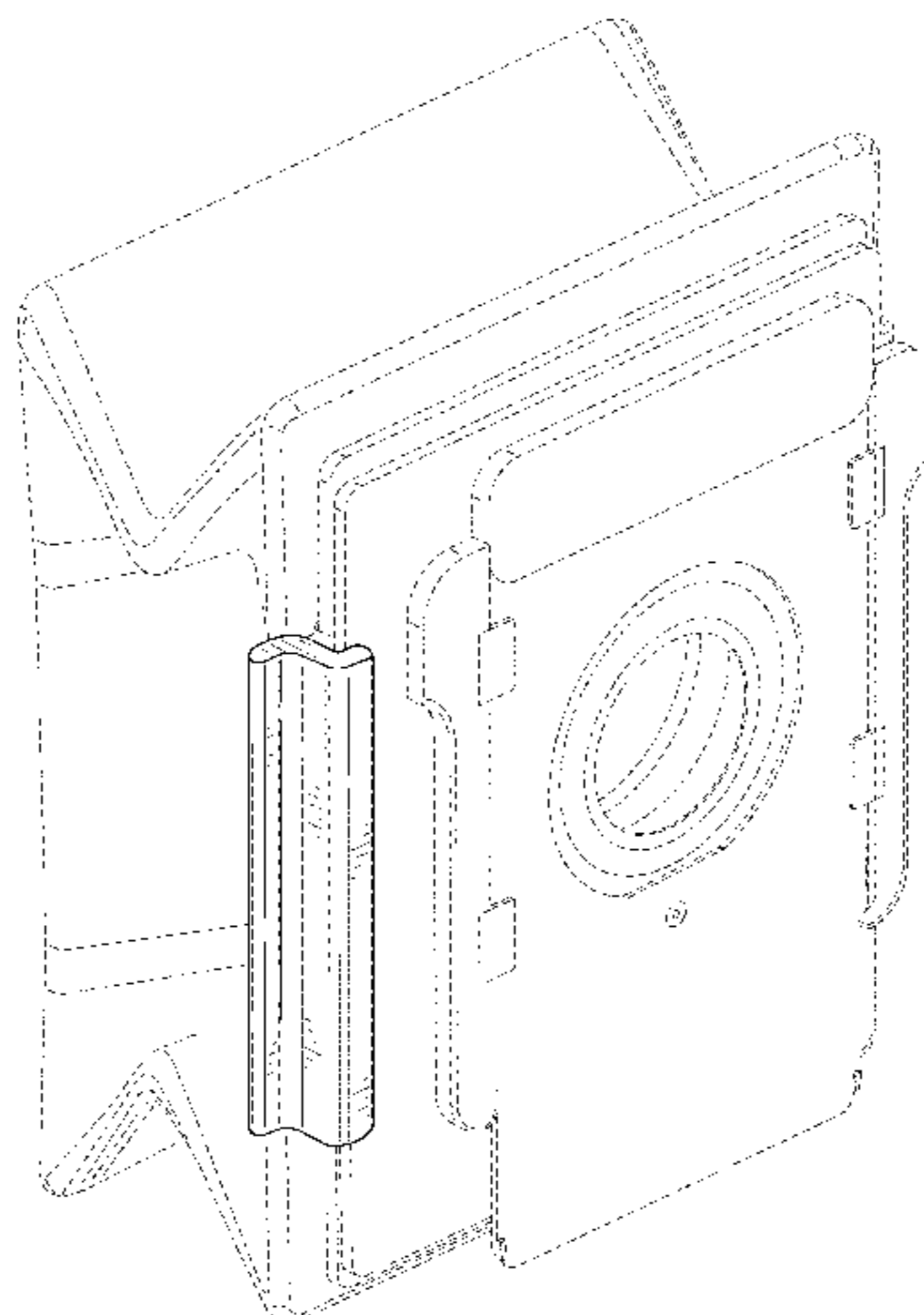
The ornamental design for a latch for a filtering device, substantially as shown and described.

DESCRIPTION

FIG. 1 is a left perspective view of the latch.
FIG. 2 is a front view thereof.
FIG. 3 is a back view thereof.
FIG. 4 is a right side view thereof.
FIG. 5 is a left side view thereof.
FIG. 6 is a top view thereof.
FIG. 7 is a bottom view thereof.
FIG. 8 is a right perspective view thereof.
FIG. 9 is a left perspective view of the latch, with the interface assembly in a closed state.
FIG. 10 is a front view thereof.
FIG. 11 is a back view thereof.
FIG. 12 is a right side view thereof.
FIG. 13 is a left side view thereof.
FIG. 14 is a top view thereof.
FIG. 15 is a bottom view thereof.
FIG. 16 is a right perspective view thereof.
FIG. 17 is a right-front perspective view of the latch, with the interface assembly in an open state.
FIG. 18 is a front view thereof.
FIG. 19 is a back view thereof.
FIG. 20 is a right side view thereof.
FIG. 21 is a left side view thereof.
FIG. 22 is a top view thereof.
FIG. 23 is a bottom view thereof.
FIG. 24 is a right-rear perspective view thereof; and,
FIG. 25 is a left-rear perspective view thereof.

The broken lines in FIGS. 1-8 show a filtering device including a debris bag and an interface assembly. The broken lines in FIGS. 9-25 show the interface assembly without the debris bag. The broken lines are included for the

(Continued)



purpose of illustrating environmental features of the latch that form no part of the claimed design.

1 Claim, 21 Drawing Sheets

(58) Field of Classification Search

CPC A47L 5/28; A47L 9/1427; A47L 9/1436; A47L 9/1445; A47L 9/00; A47L 9/14; B01D 29/13; B01D 29/23; B01D 46/0005; A47F 5/00; E04B 1/2608; E04B 1/2612; E04B 1/2604; E04B 1/2403; E04B 1/1903; E04B 1/24; E04B 1/41; E04B 1/4185; E04B 2/825; E04B 2/8617; E04B 2/767

See application file for complete search history.

(56) References Cited

U.S. PATENT DOCUMENTS

4,738,697 A * 4/1988 Westergren A47L 9/1436 55/492
 4,955,648 A * 9/1990 Miller E05C 19/18 292/288
 D398,283 S * 9/1998 Miller D12/223
 D400,986 S * 11/1998 Kanta D25/199
 D571,640 S * 6/2008 Misch D8/354
 D654,234 S * 2/2012 Hein D32/30
 8,439,997 B2 * 5/2013 Rupp A47L 9/1472 55/374
 D760,578 S * 7/2016 Sigona D8/349
 D809,674 S * 2/2018 Singh D25/119
 D853,377 S * 7/2019 Crandon D8/349
 D854,400 S * 7/2019 Haley D8/354
 D899,897 S * 10/2020 Gustafsson Salmonsson D8/354
 D900,594 S * 11/2020 Shaffer D8/354

10,842,334 B2 11/2020 Wolff et al.
 D924,522 S 7/2021 Jang
 11,452,418 B2 * 9/2022 Na A47L 9/1472
 D973,470 S * 12/2022 Marsden D8/354
 2002/0145095 A1 * 10/2002 Winkler A63B 57/00 248/300
 2009/0322106 A1 * 12/2009 Wood E05C 19/184 292/288
 2019/0335967 A1 11/2019 Wolff et al.

FOREIGN PATENT DOCUMENTS

EP 0362624 A1 * 4/1990 A47L 9/14
 EP 510309 A1 * 10/1992 A47L 9/1436
 EP 0796586 A2 * 9/1997 A47L 9/14
 GB 6183190 * 12/2021
 GB 6183191 * 12/2021
 GB 6183192 * 12/2021

OTHER PUBLICATIONS

Etsy.com [online], "Clean Base Zipper Bag—Reusable iRobot Clean Base Automatic Dirt Disposal Bag for i3+, i6+, i7+, i8+, or s9+," Aug. 6, 2021, retrieved on Sep. 29, 2021, retrieved from URL<https://www.etsy.com/listing/1031012068/clean-base-zipper-bag-reusable-irobot?ga_order=most_relevant&ga_search_type=all&ga_view_type=gallery&ga_search_query=reusable+irobot+bag&ref=sr_gallery-1-3&frs=1>, 16 pages.

Etsy.com [online], "Reusable iRobot clean base dirt disposal bag," Jul. 8, 2021, retrieved on Sep. 29, 2021, retrieved from URL<https://www.etsy.com/listing/1027118060/reusable-irobot-clean-base-dirt-disposal?ga_order=most_relevant&ga_search_type=all&ga_view_type=gallery&ga_search_query=reusable+irobot+bag&ref=sr_gallery-1-2&pro=1&frs=1>, 13 pages.

* cited by examiner

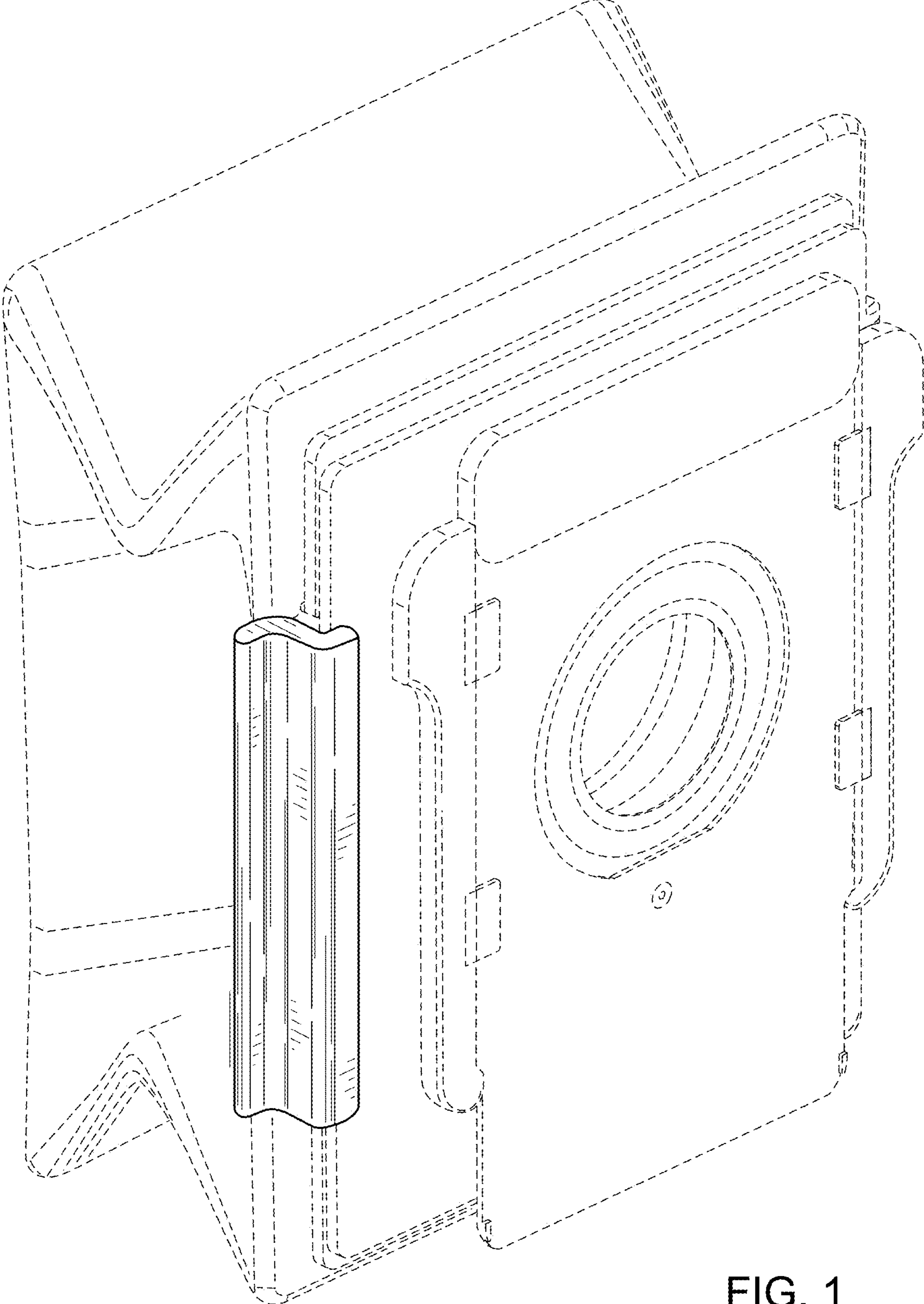


FIG. 1

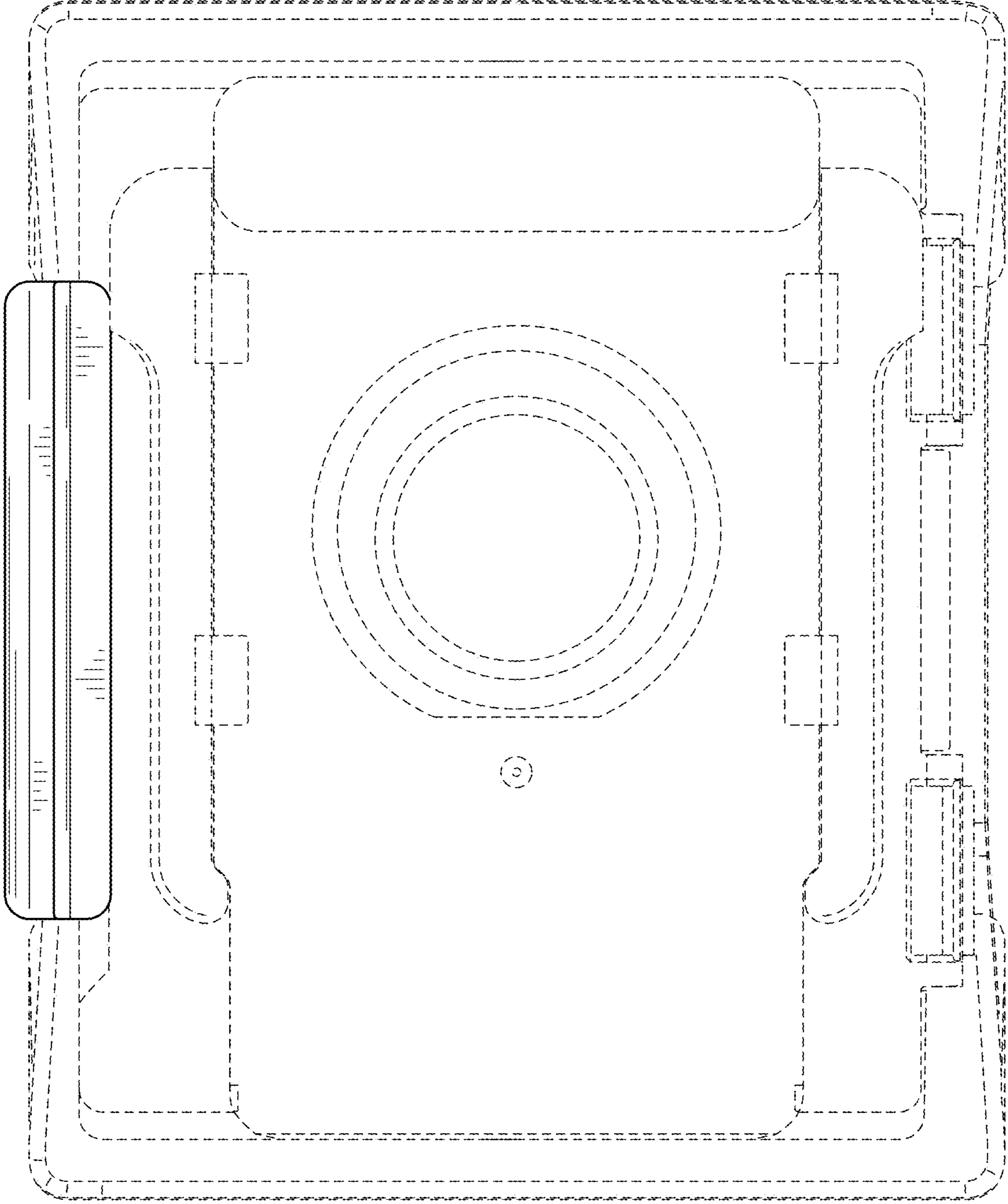


FIG. 2

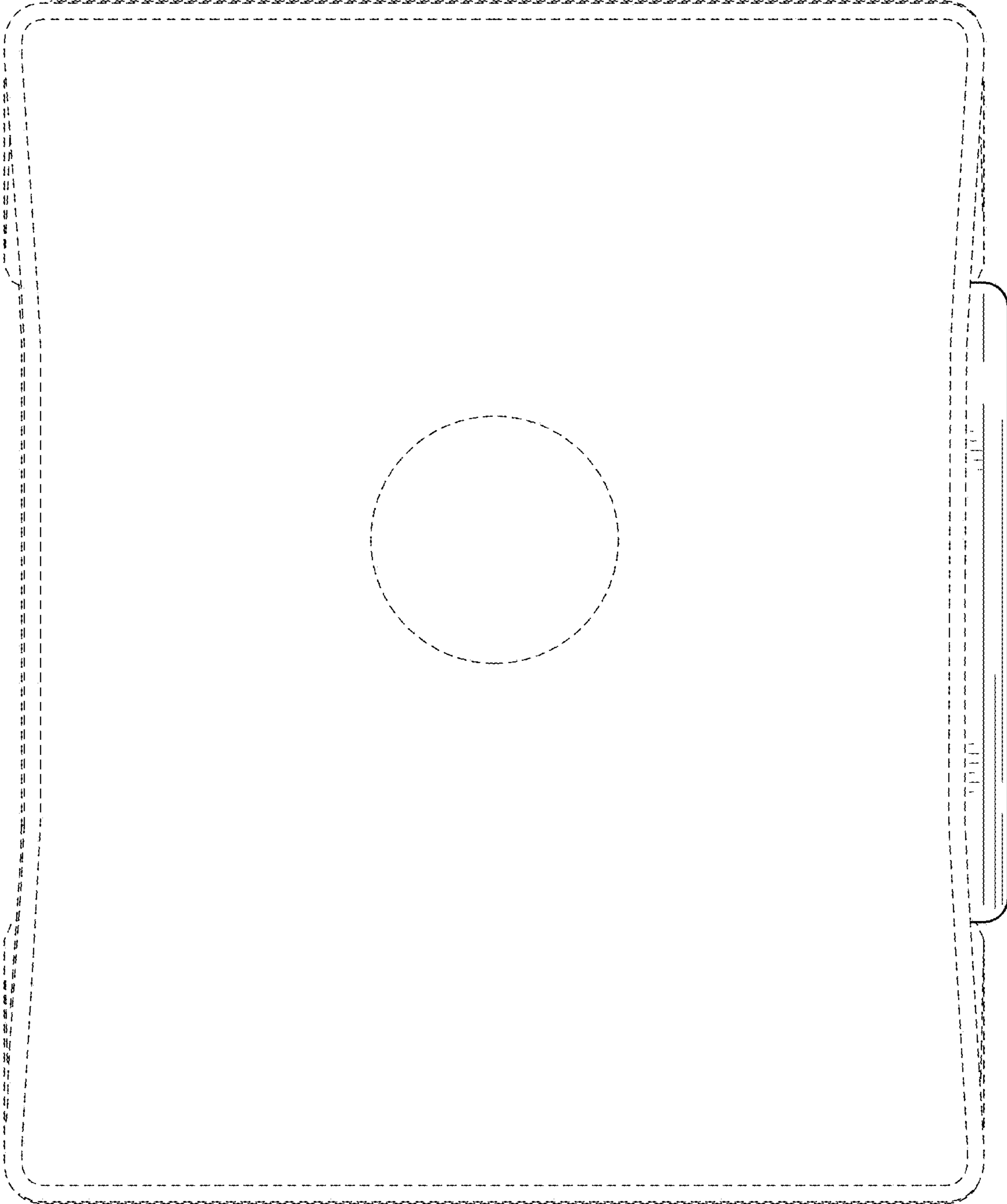


FIG. 3

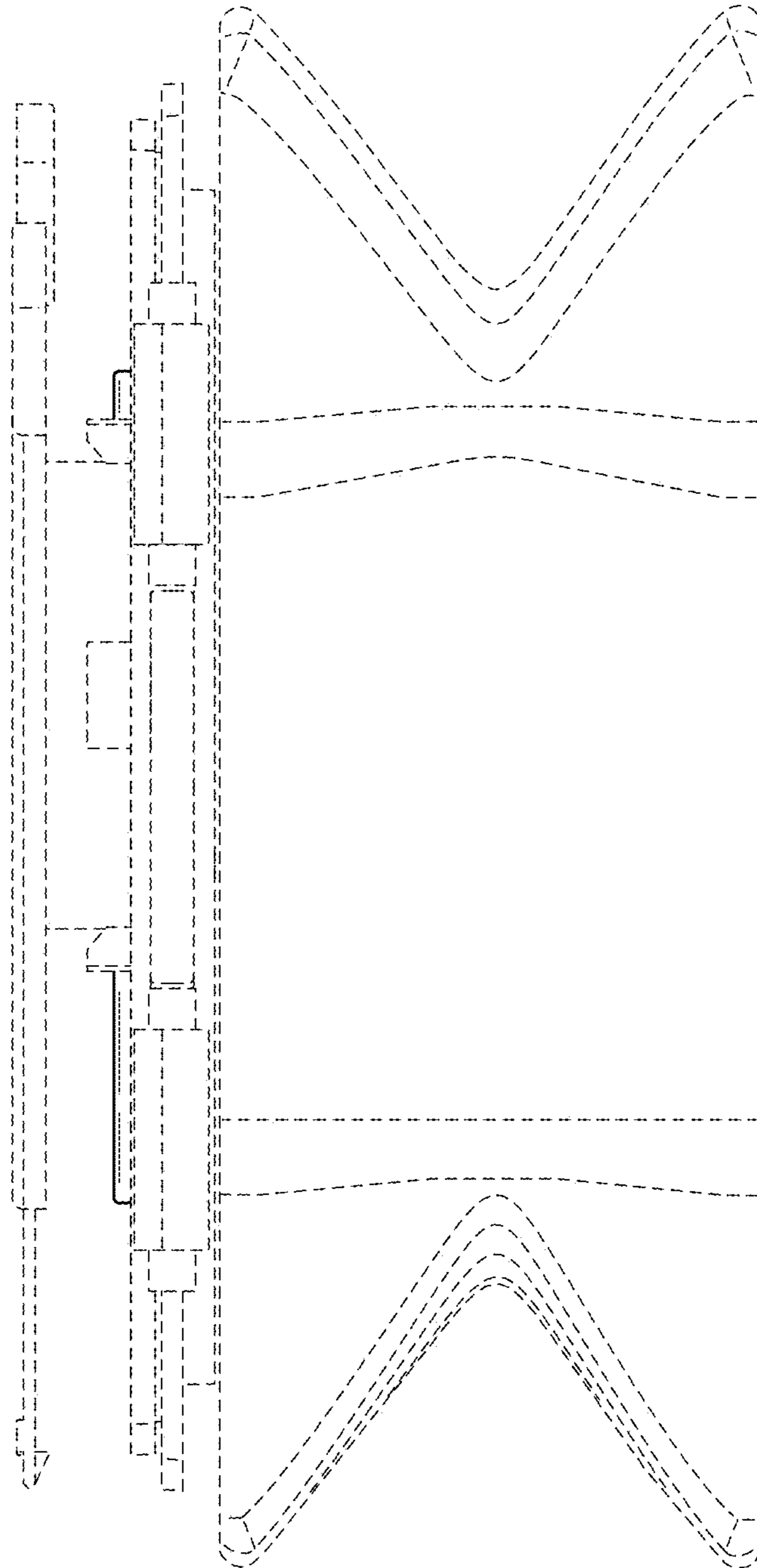


FIG. 4

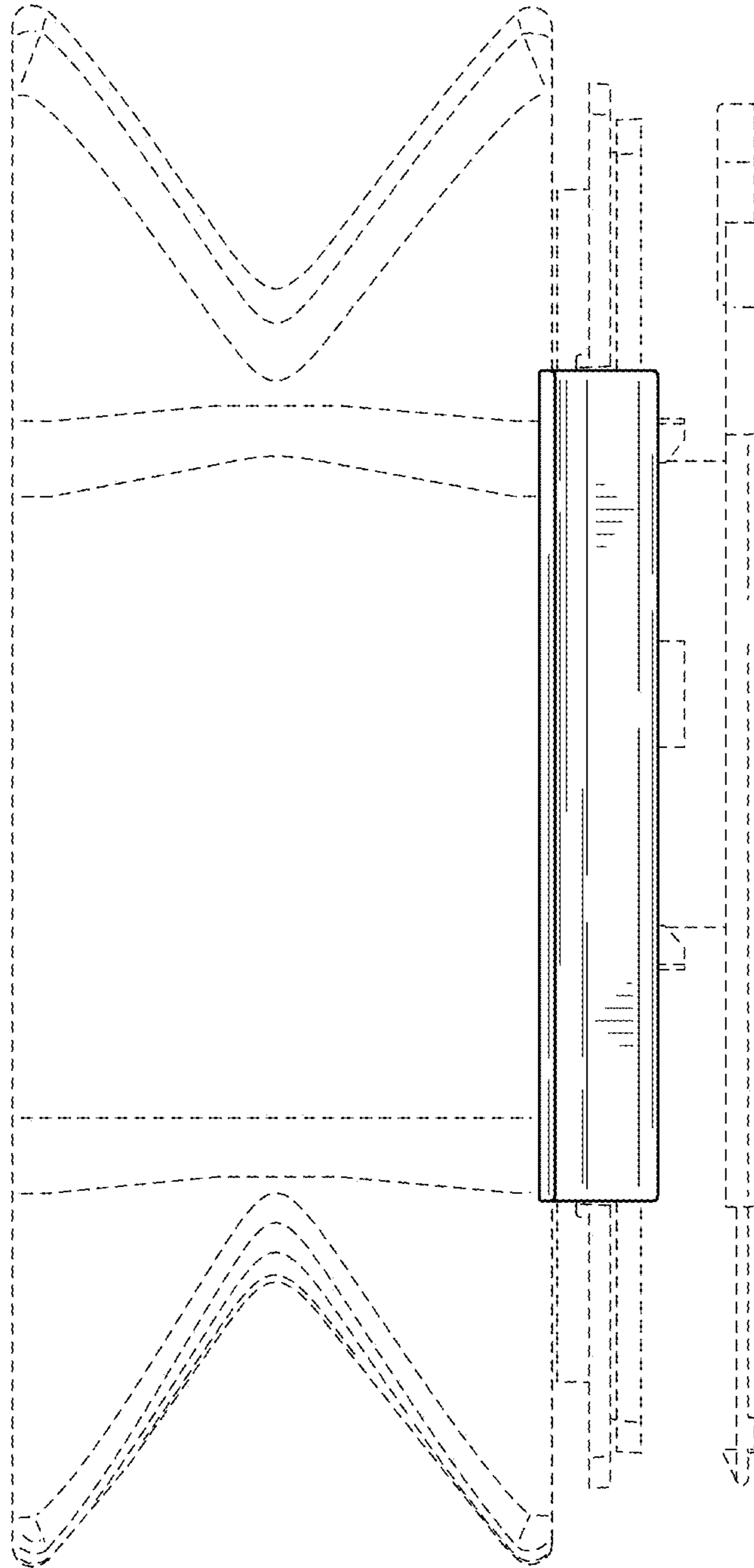


FIG. 5



FIG. 6

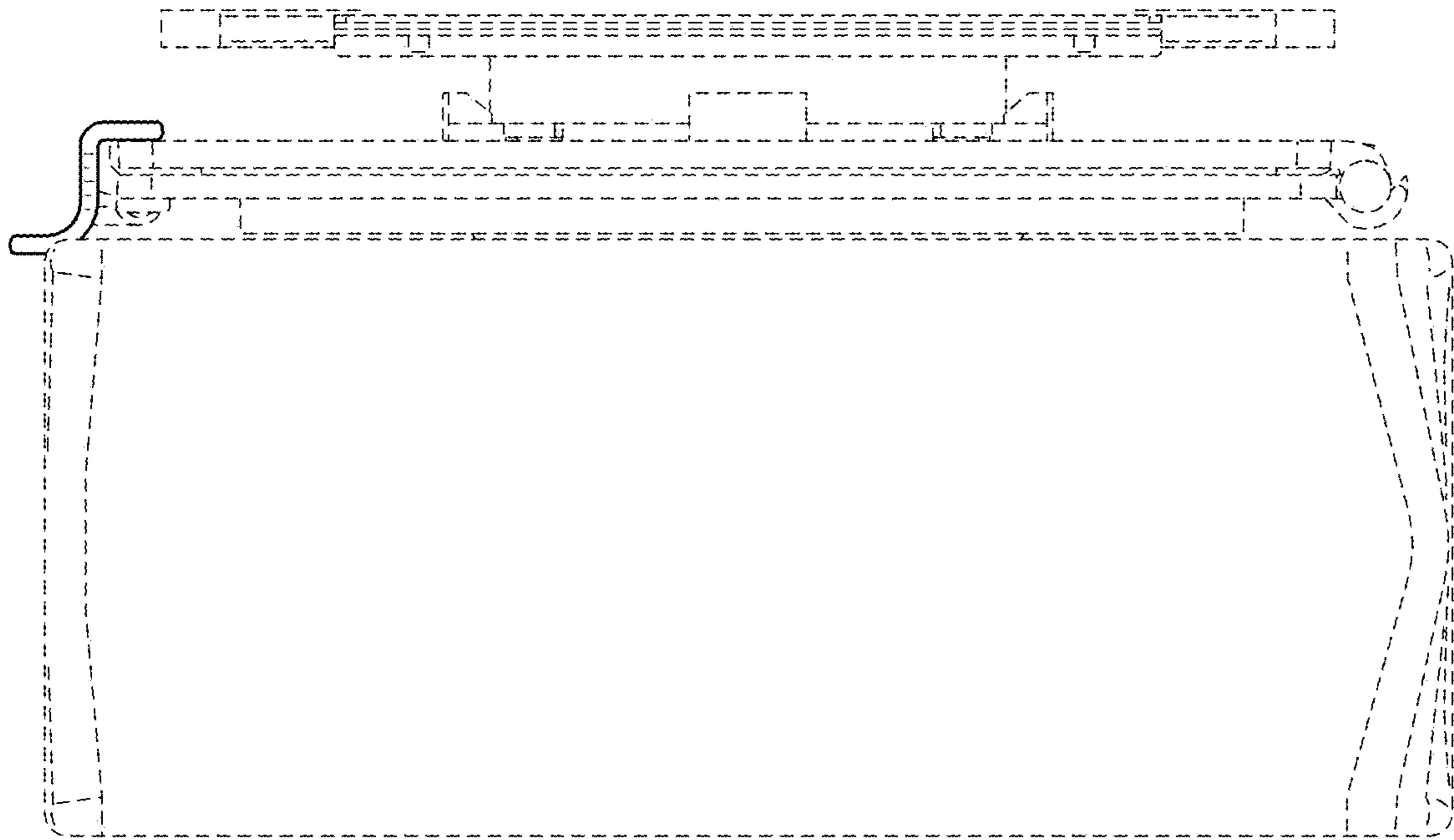


FIG. 7

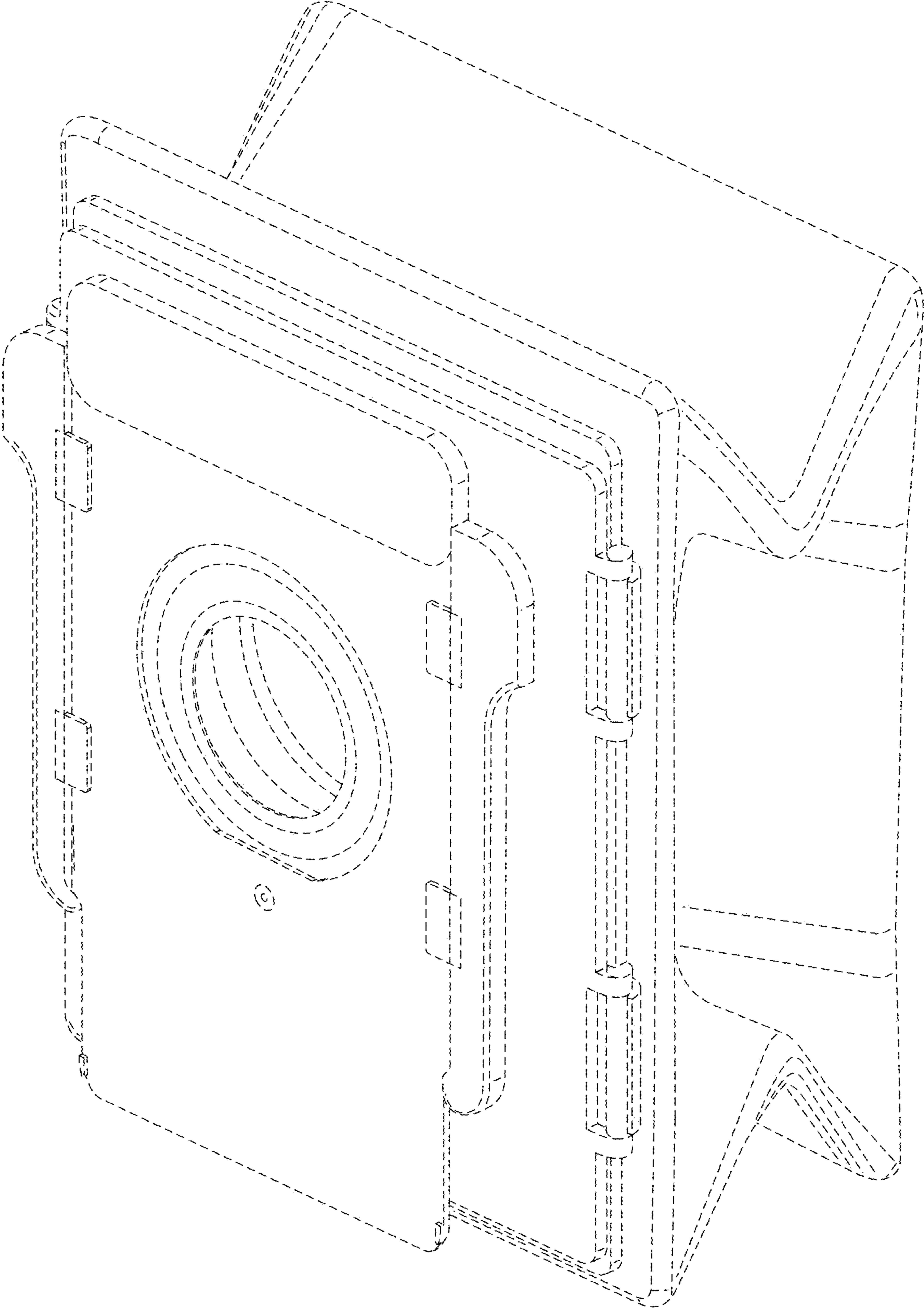


FIG. 8

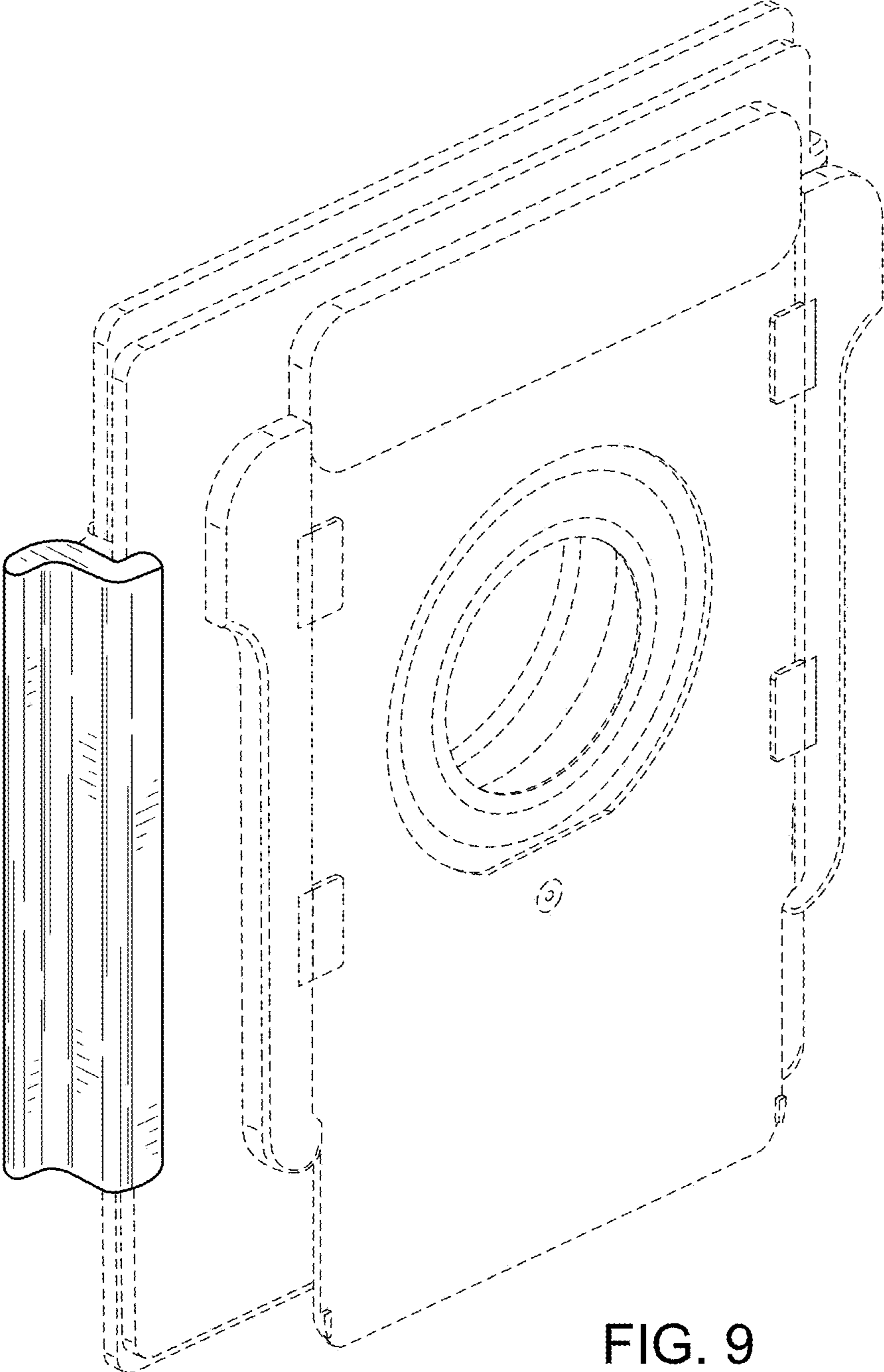


FIG. 9

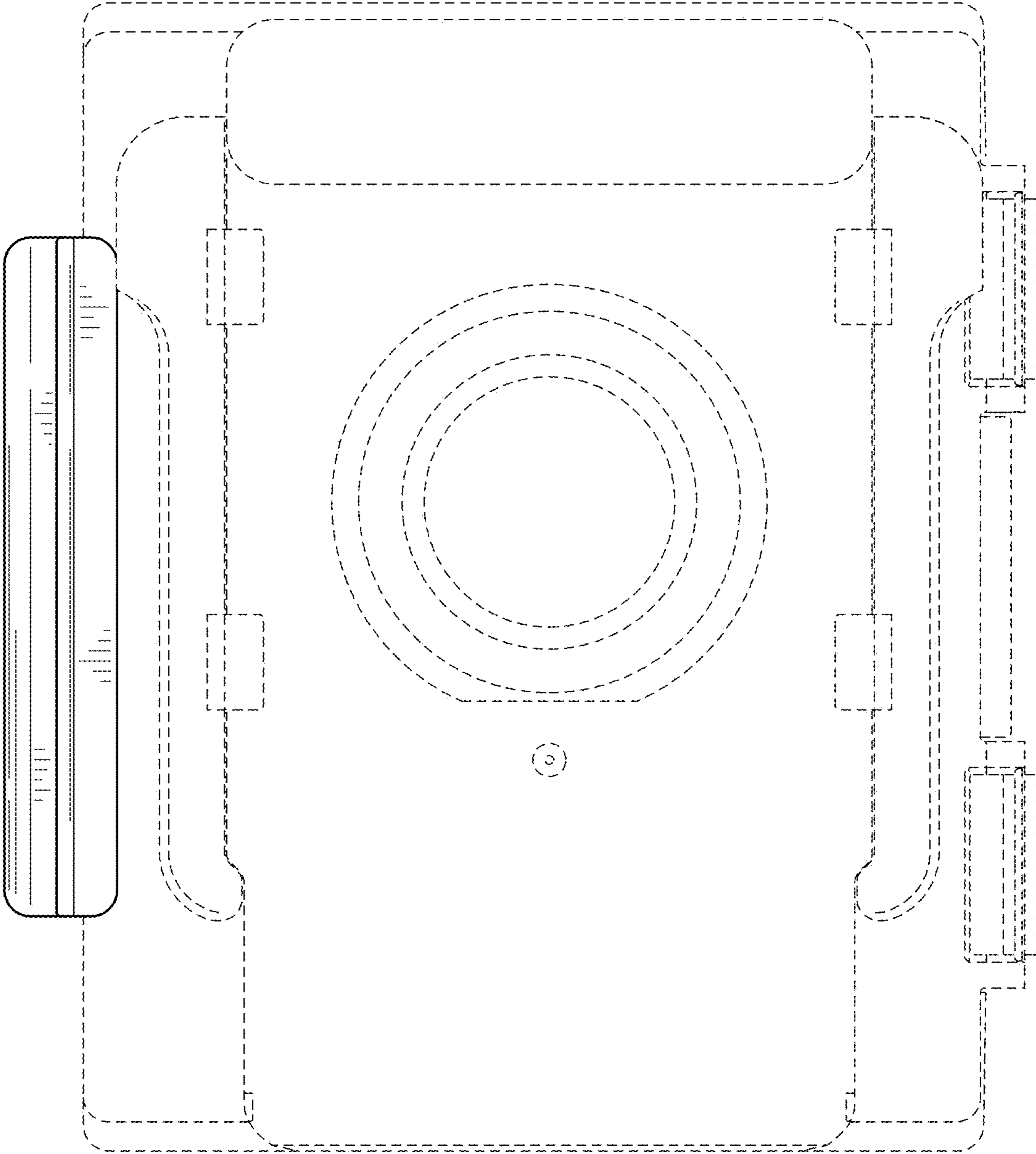


FIG. 10

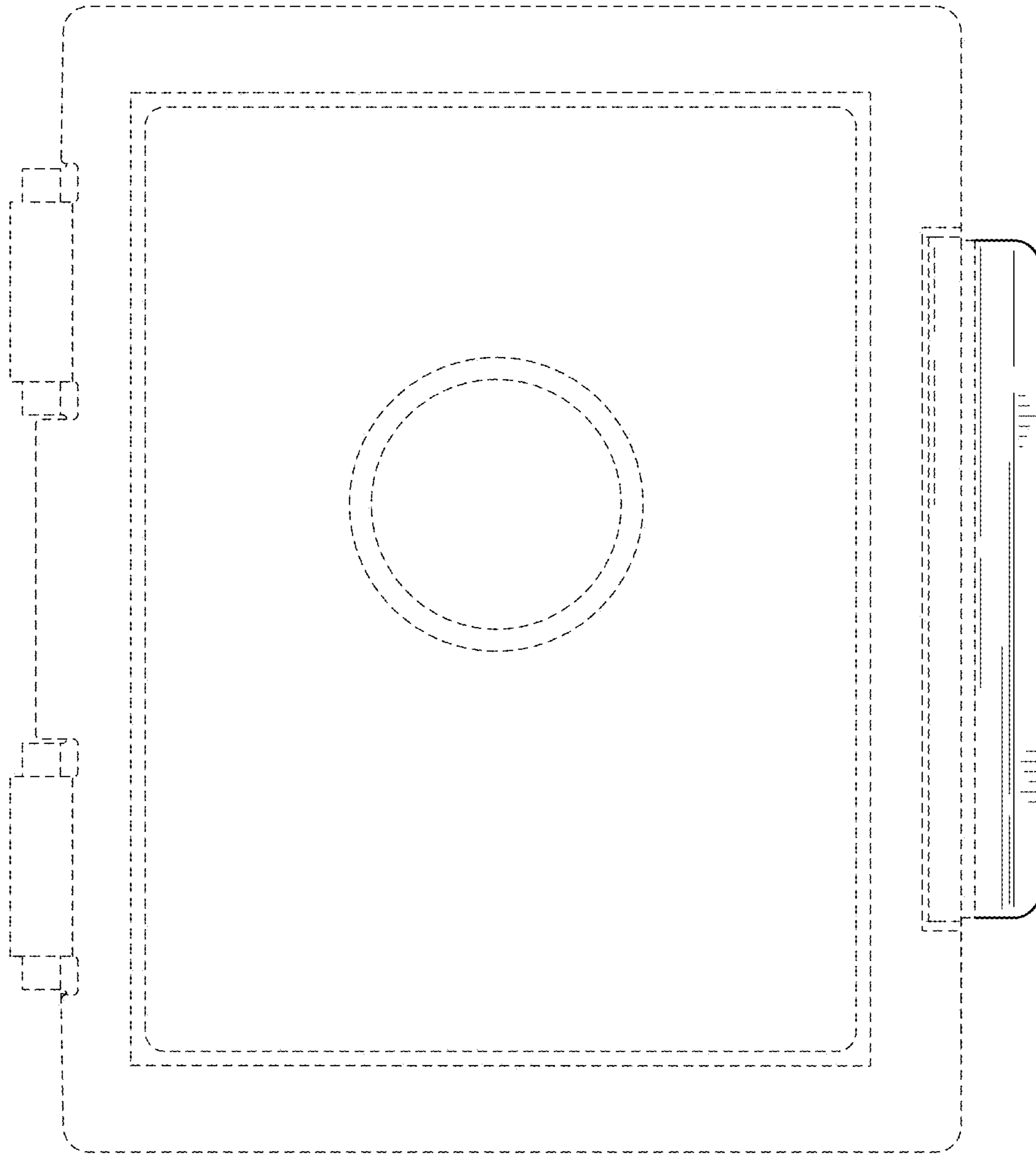


FIG. 11

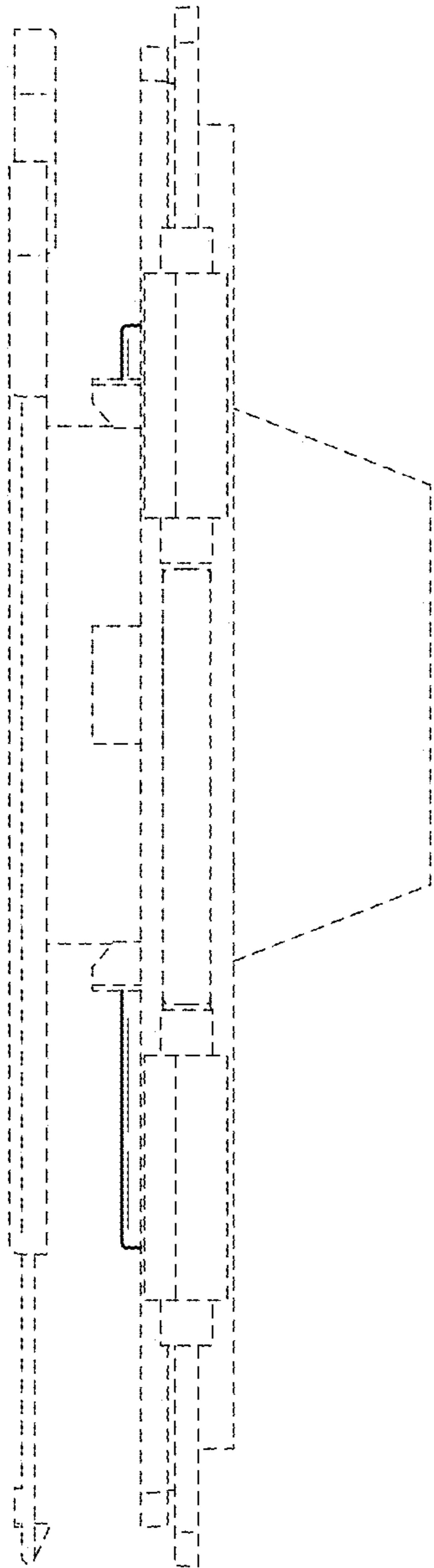


FIG. 12

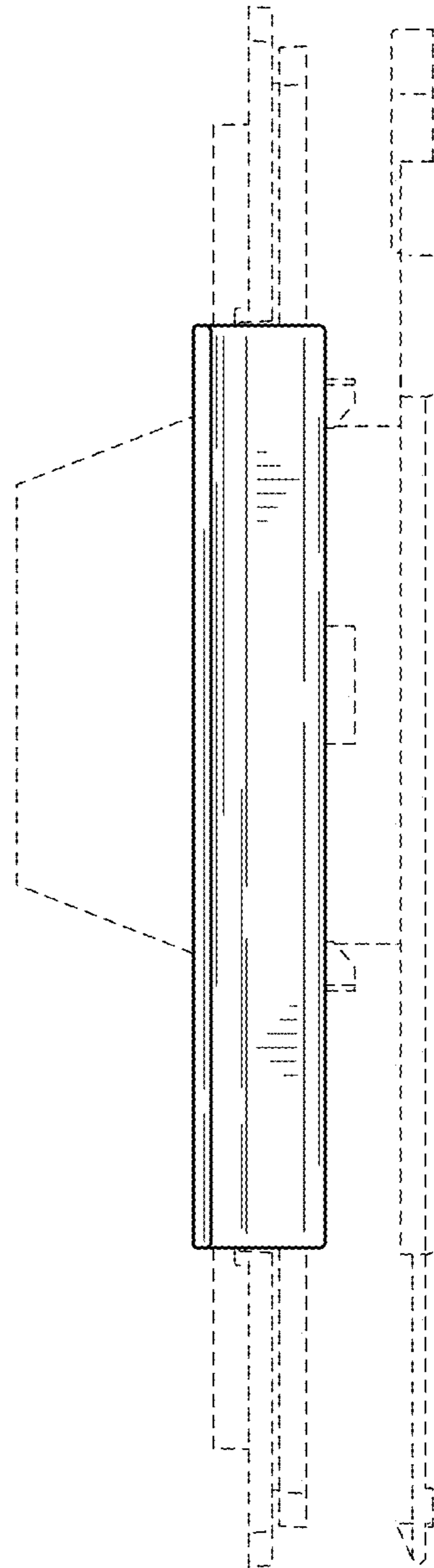


FIG. 13

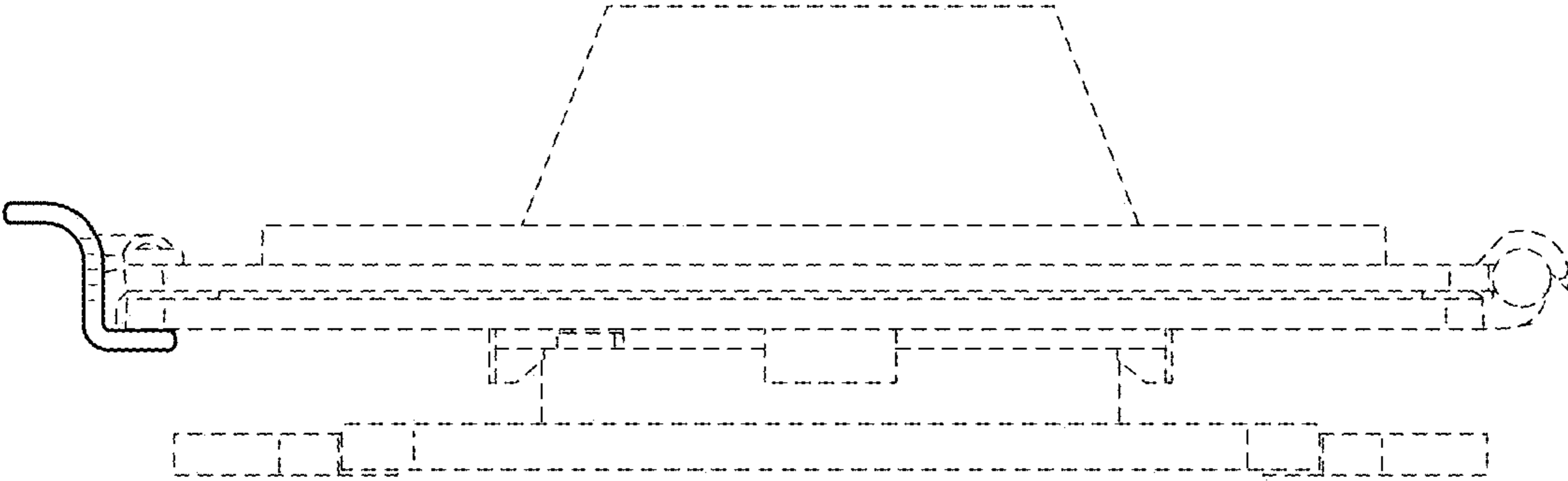


FIG. 14



FIG. 15

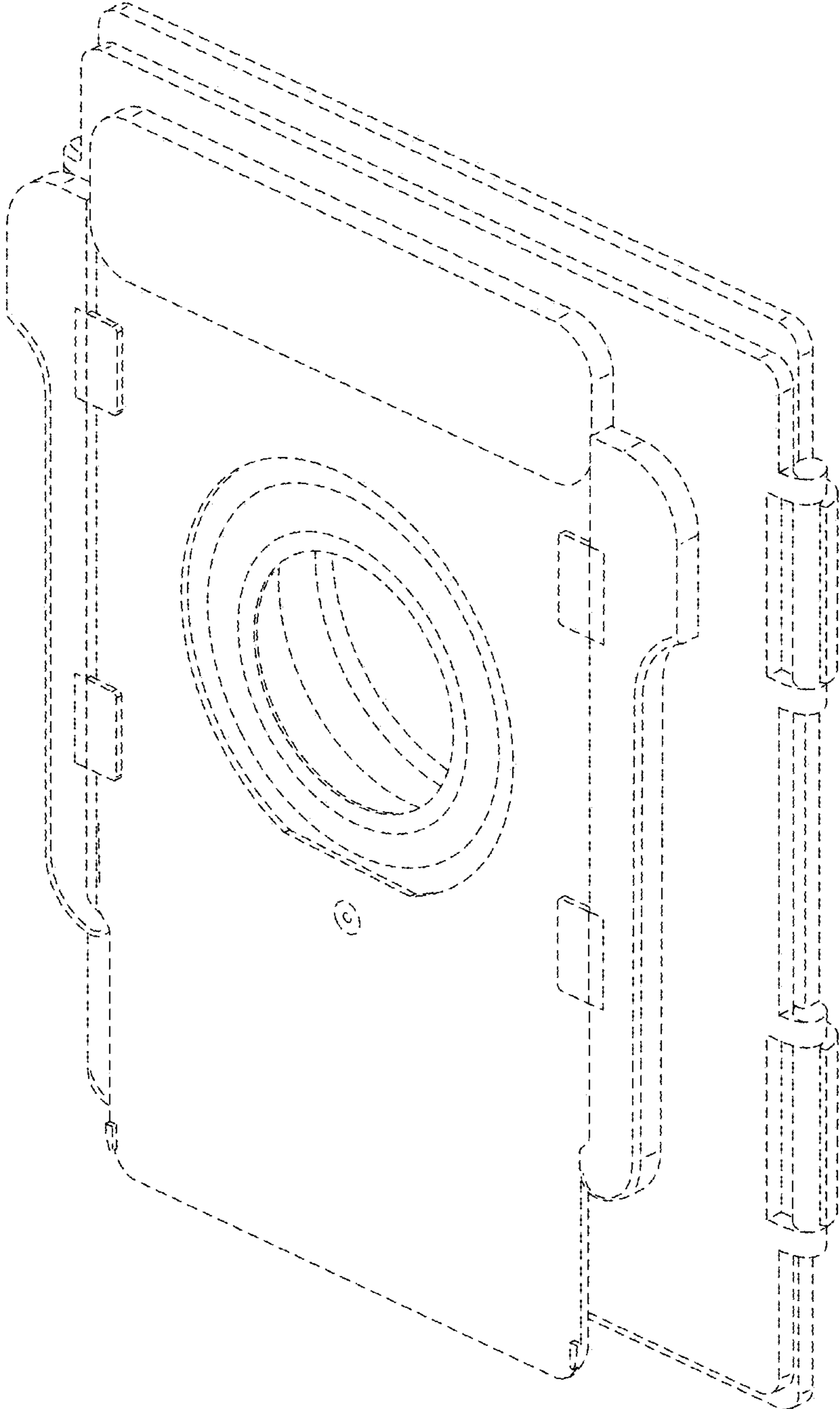


FIG. 16

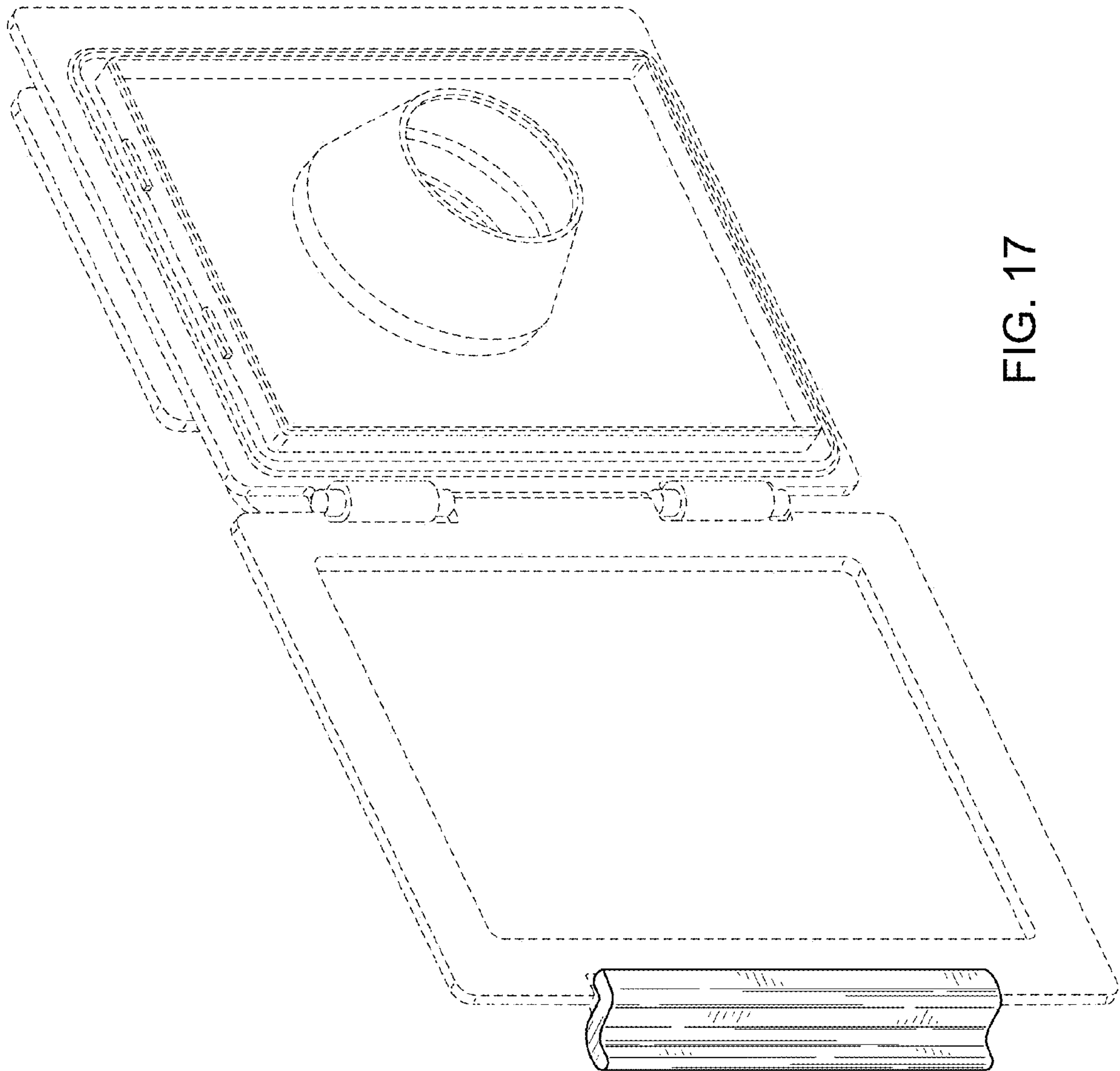


FIG. 17

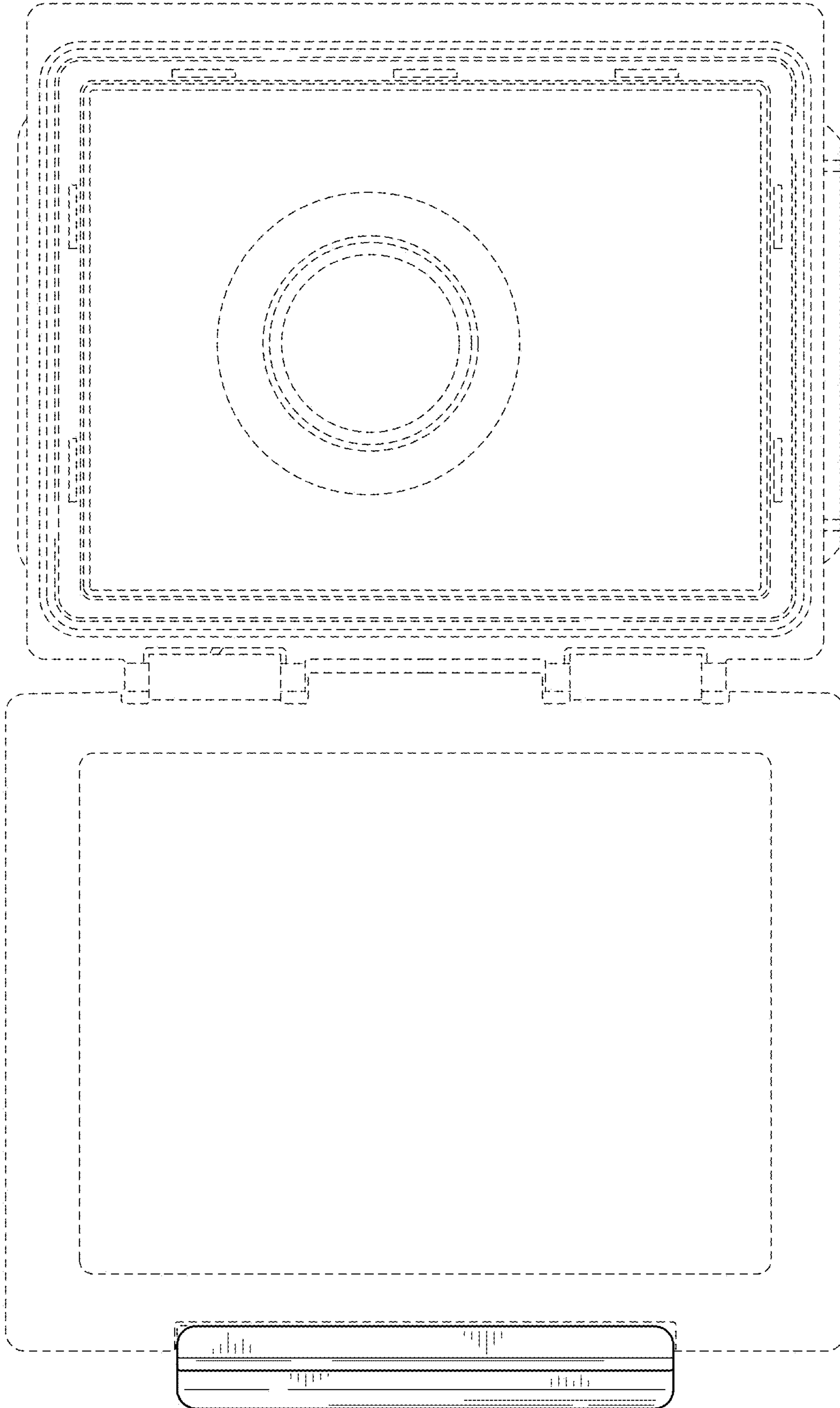


FIG. 18

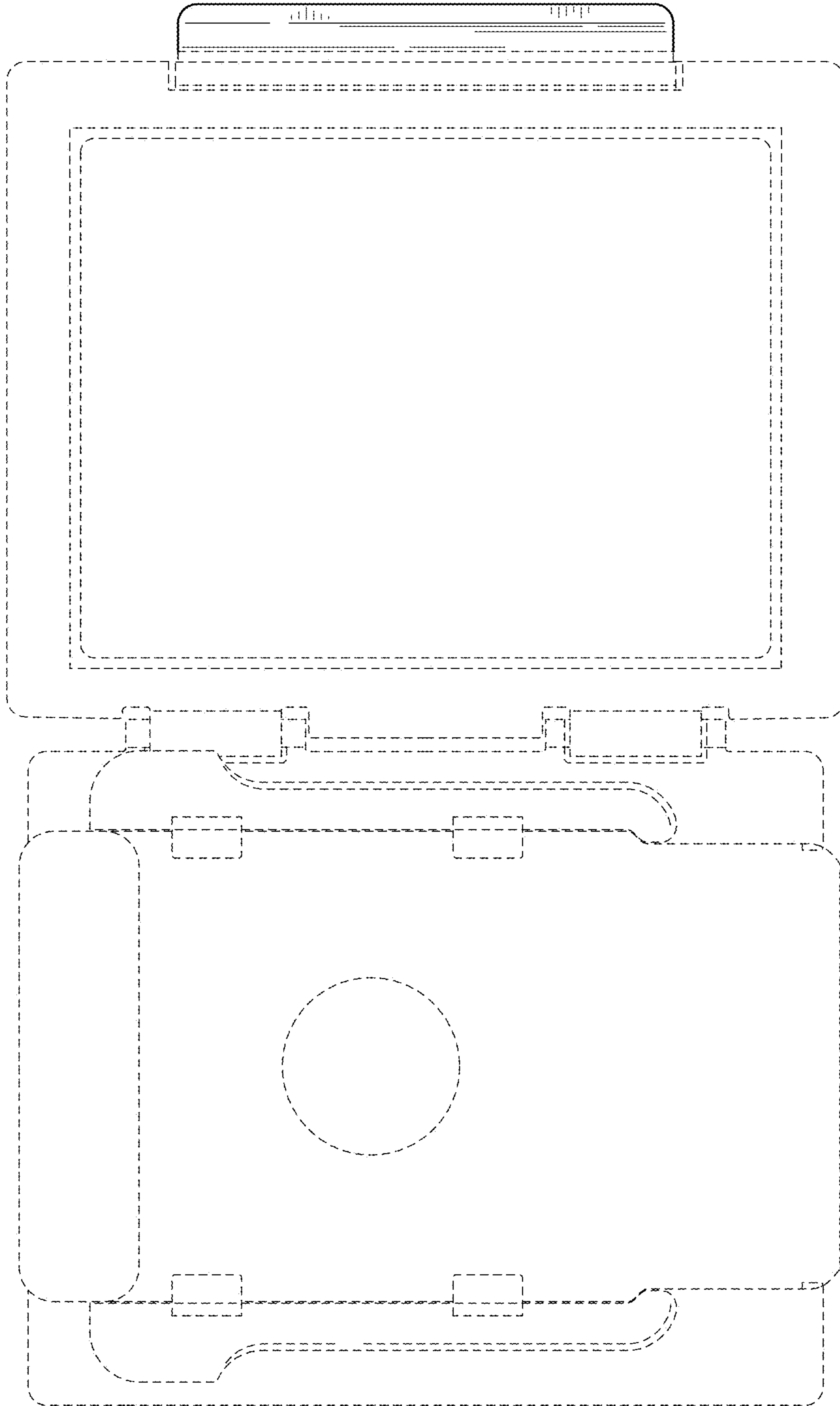


FIG. 19

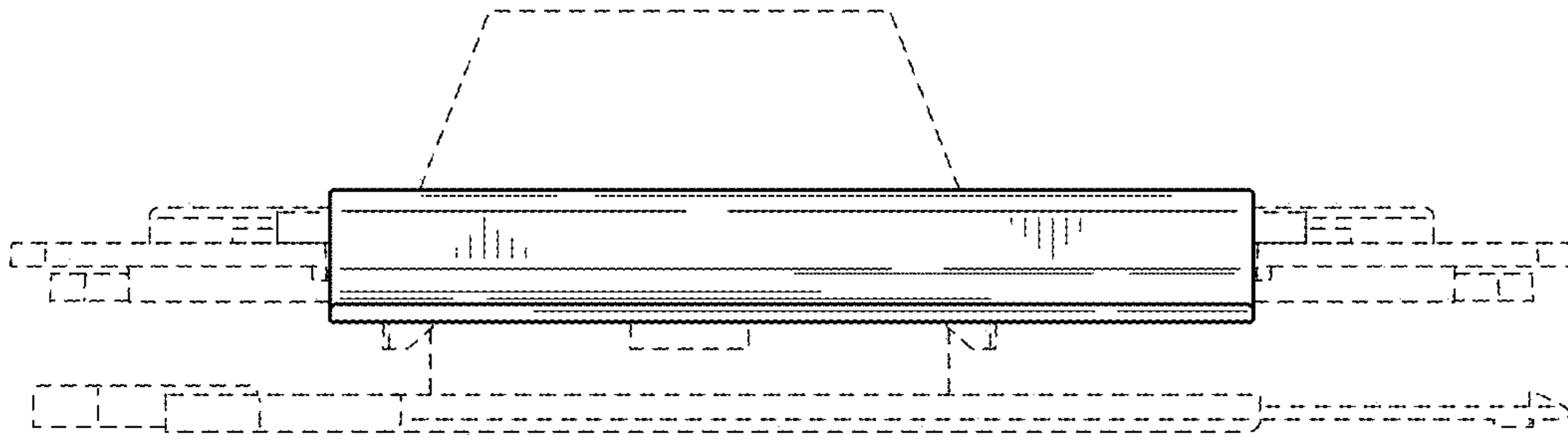


FIG. 21

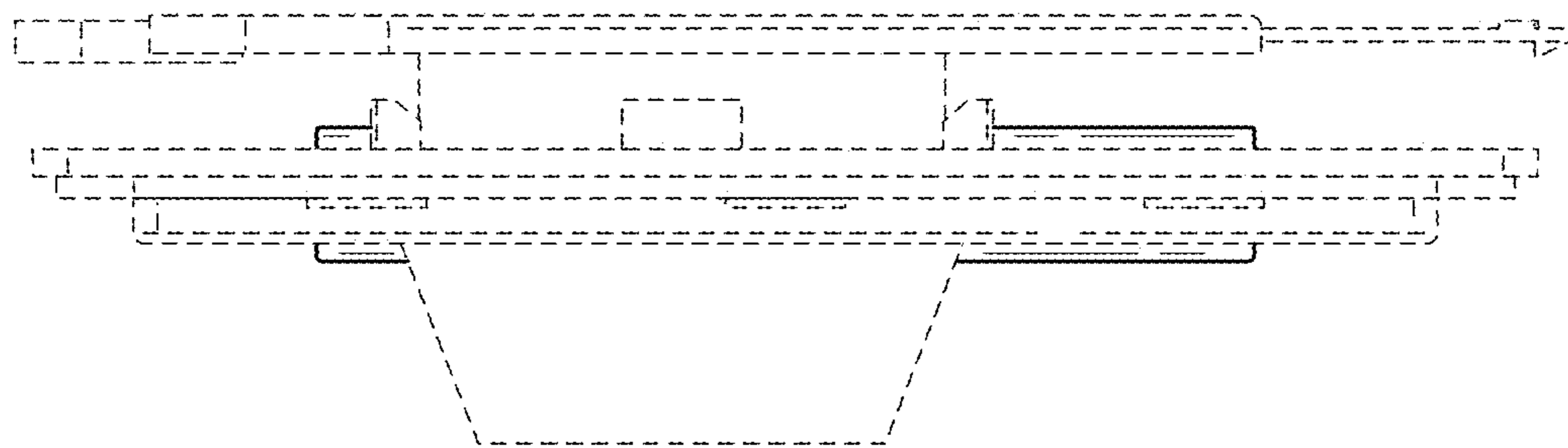


FIG. 20

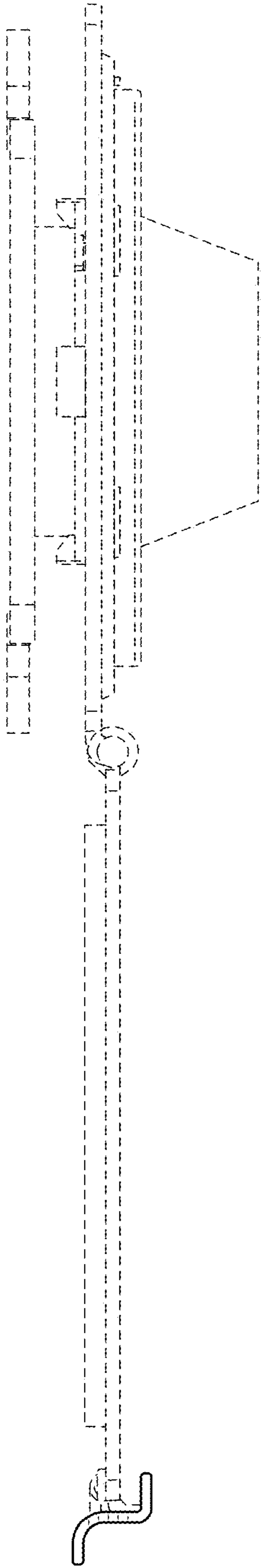


FIG. 22

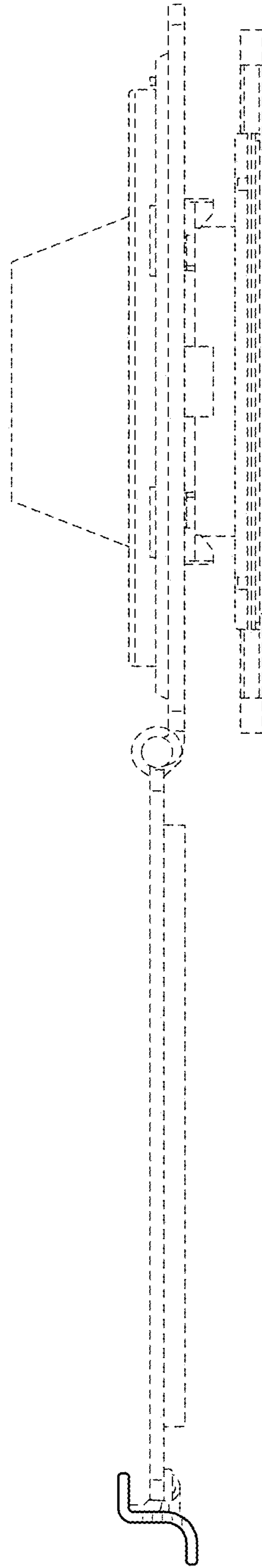


FIG. 23

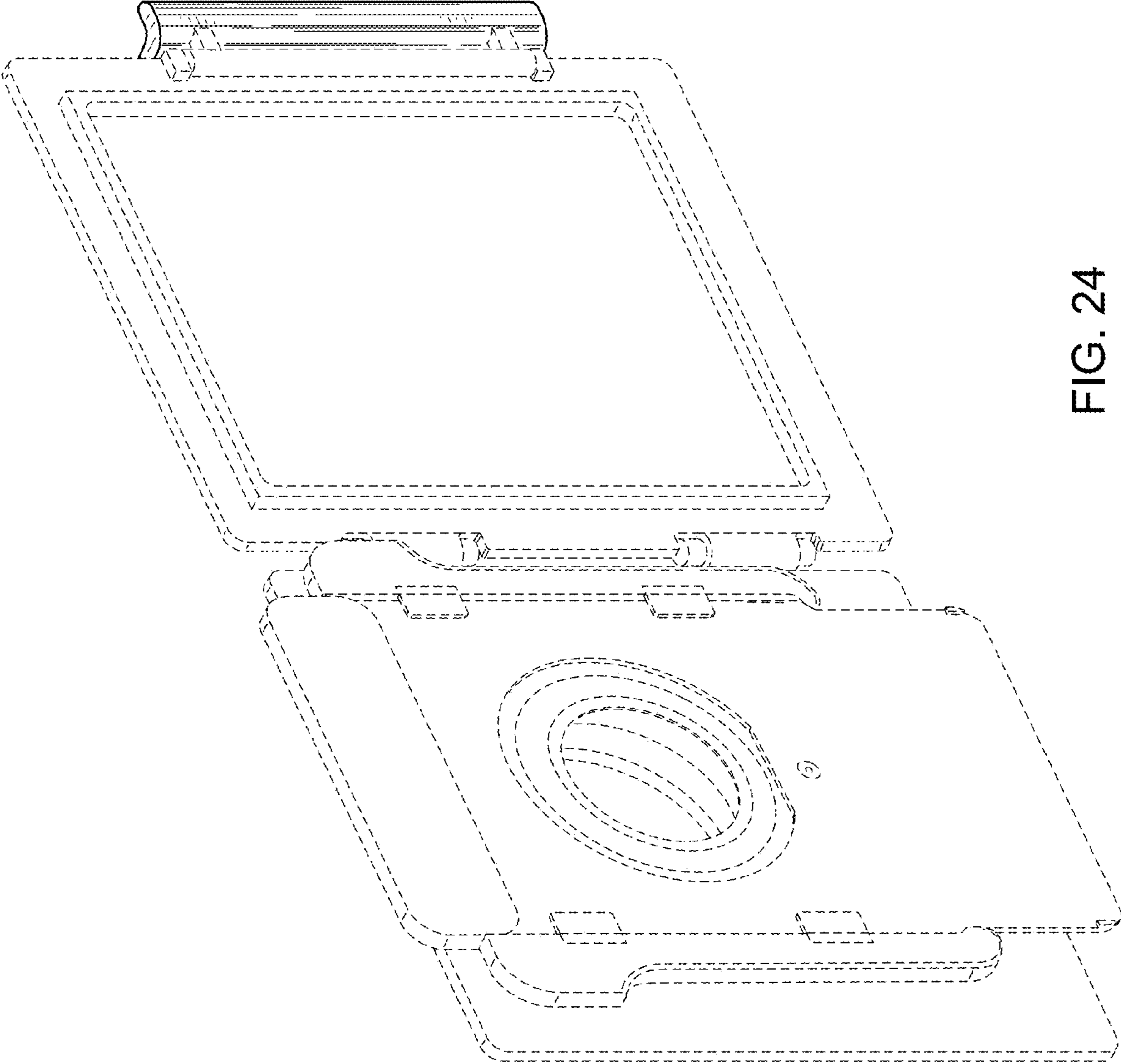


FIG. 24

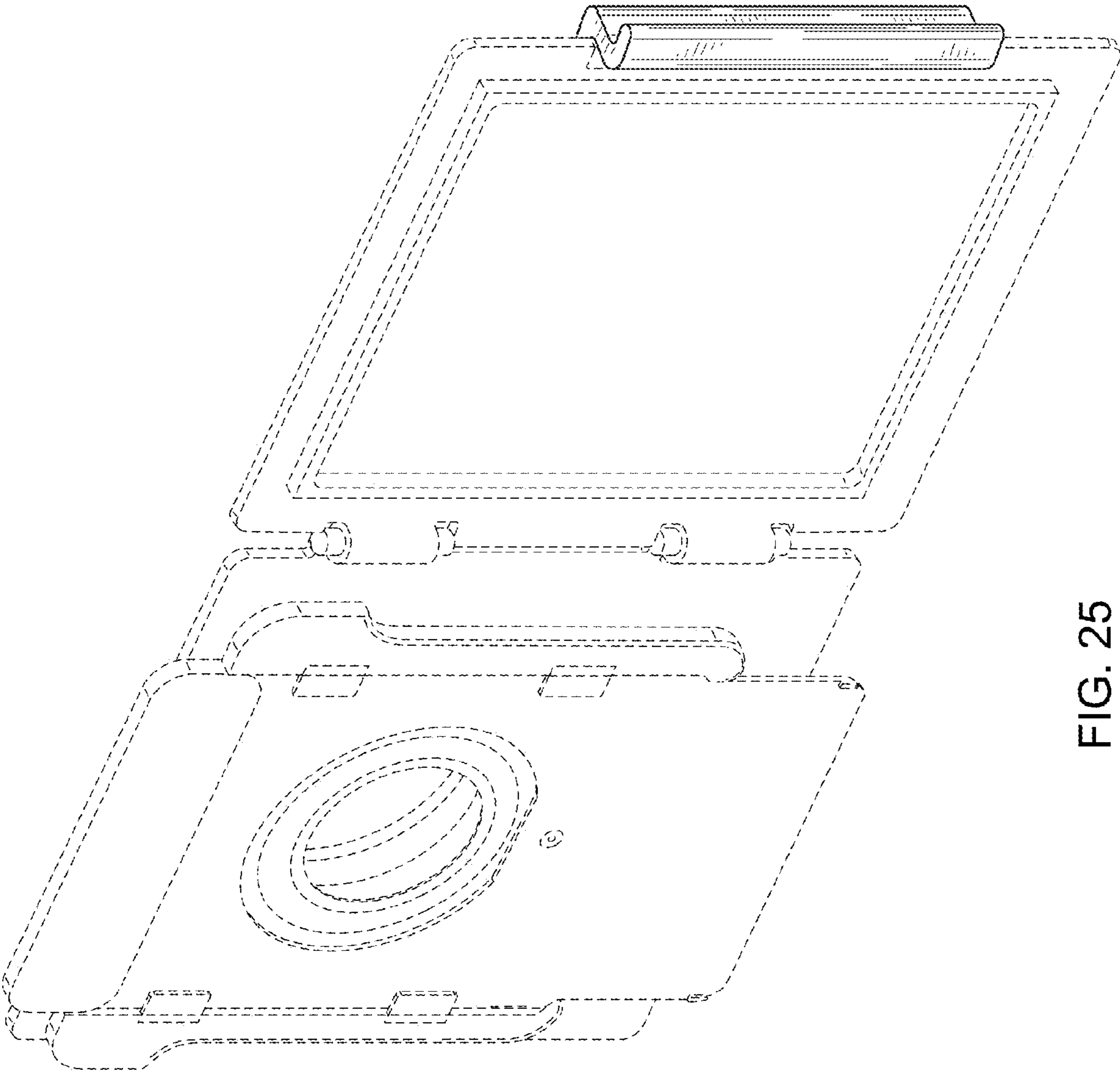


FIG. 25