



US00D982859S

(12) **United States Design Patent**
Lee et al.

(10) **Patent No.:** **US D982,859 S**
(45) **Date of Patent:** **** Apr. 4, 2023**

(54) **CONNECTING MEMBER FOR ELECTRONIC WASHING AND DRYING MACHINE FOR LAUNDRY PURPOSE**

(71) Applicant: **LG ELECTRONICS INC.**, Seoul (KR)

(72) Inventors: **Junghwan Lee**, Seoul (KR); **Sojin Park**, Seoul (KR); **Eunyoung Chee**, Seoul (KR); **Nerry Son**, Seoul (KR); **Hyewon Kim**, Seoul (KR)

(73) Assignee: **LG ELECTRONICS INC.**, Seoul (KR)

(**) Term: **15 Years**

(21) Appl. No.: **29/747,631**

(22) Filed: **Aug. 24, 2020**

(30) **Foreign Application Priority Data**

Feb. 25, 2020 (KR) 30-2020-0008339

(51) **LOC (14) Cl.** **15-05**

(52) **U.S. Cl.**
USPC **D32/25**

(58) **Field of Classification Search**
USPC D6/705, 663; D7/348, 349; D32/1, 3-6, D32/25

(Continued)

(56) **References Cited**

U.S. PATENT DOCUMENTS

5,951,130 A * 9/1999 Braunschweig D06F 29/00 312/257.1

D486,331 S * 2/2004 Boron D6/705
(Continued)

FOREIGN PATENT DOCUMENTS

KR 301086477.0000 * 6/2022

OTHER PUBLICATIONS

Chrome Laundry Stacking Kit <https://www.jimsappliancesofinman.com/product/lg-27-chrome-laundry-stacking-kit-tstk1-351096> (Year: 2022).*

Primary Examiner — Kevin K Rudzinski

Assistant Examiner — Richard E Yenchesky

(74) *Attorney, Agent, or Firm* — Birch, Stewart, Kolasch & Birch, LLP

(57) **CLAIM**

The ornamental design for a connecting member for electronic washing and drying machine for laundry purpose, as shown and described.

DESCRIPTION

FIG. 1 is a front perspective view of the connecting member for electronic washing and drying machine for laundry purpose showing our new design;

FIG. 2 is a front view thereof;

FIG. 3 is a back view thereof;

FIG. 4 is a left side view thereof;

FIG. 5 is a right side view thereof;

FIG. 6 is a top plan view thereof;

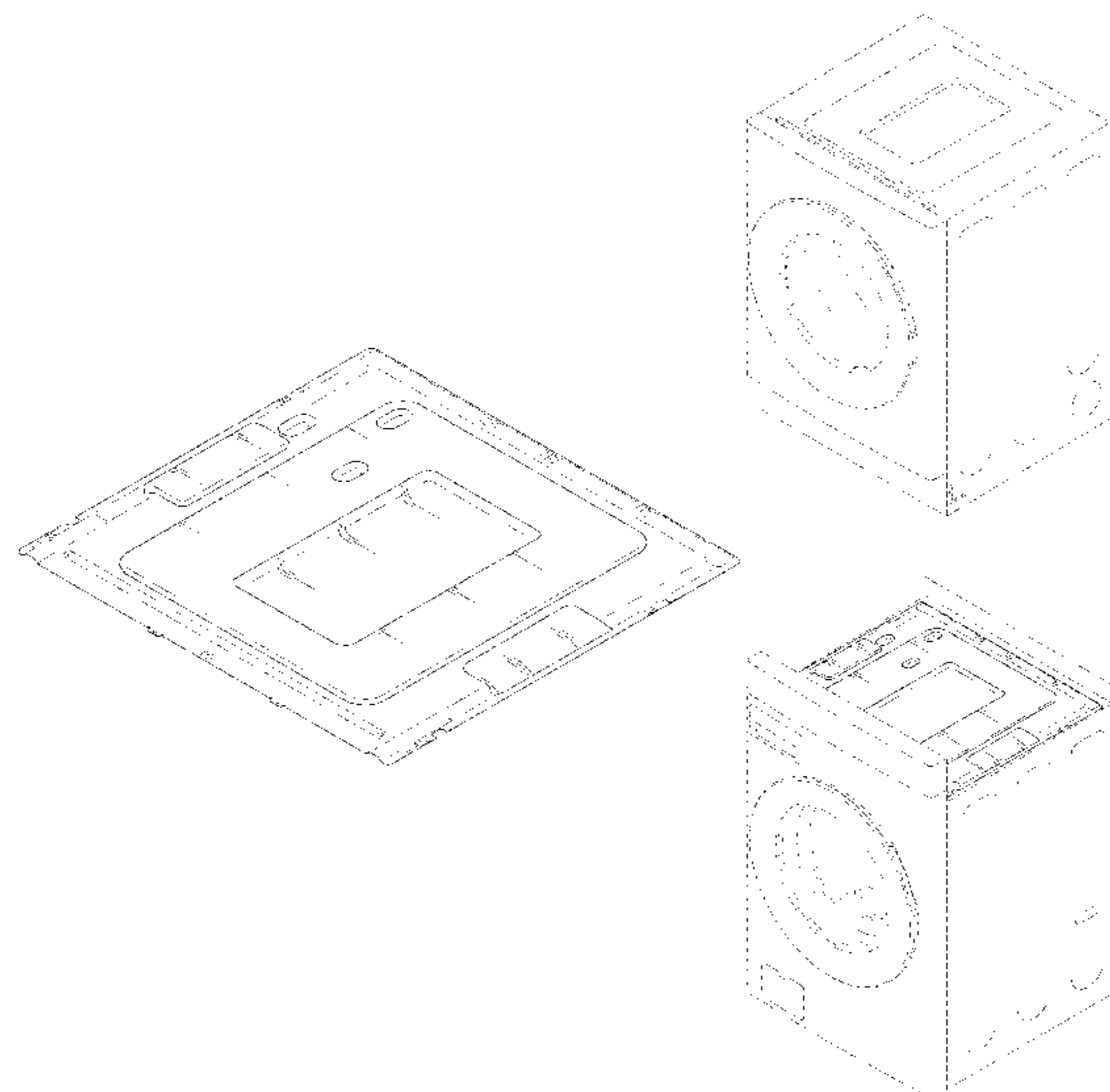
FIG. 7 is a bottom plan view thereof;

FIG. 8 is a reference view showing the state that the claimed design has been attached between the washing machine and drying machine; and,

FIG. 9 is a reference view showing the state of use that the claimed design have been attached to the electronic washing and drying machine, and then the electronic washing and drying machine have been connected by the claimed design.

The broken lines depict portions of the connecting member for electronic washing and drying machine for laundry purpose that form no part of the claimed design. The portions of FIGS. 8 and 9 drawn in broken lines show environmental structure only and form no part of the claimed design.

1 Claim, 9 Drawing Sheets



(58) **Field of Classification Search**

CPC D06F 29/00; D06F 39/022; D06F 39/12;
D06F 35/006; D06F 25/00

See application file for complete search history.

(56) **References Cited**

U.S. PATENT DOCUMENTS

7,921,679 B2 * 4/2011 Jo D06F 39/125
68/3 R
D640,020 S * 6/2011 Helot D32/5
8,245,999 B2 * 8/2012 Tartan D06F 29/00
68/3 R
D690,065 S * 9/2013 Schoenster D32/25
D759,929 S * 6/2016 Lee D32/25
D759,931 S * 6/2016 Lee D32/25
D759,933 S * 6/2016 Lee D32/25
D811,154 S * 2/2018 Lee D7/346
D867,698 S * 11/2019 Joo D32/25
D917,119 S * 4/2021 Jeon D32/25
D925,955 S * 7/2021 Greenwood D6/705
D963,387 S * 9/2022 Hamann D6/705
2005/0139738 A1 * 6/2005 Hwang D06F 39/125
248/300
2009/0145176 A1 * 6/2009 Kim D06F 39/12
29/700
2015/0143857 A1 * 5/2015 Jo D06F 39/02
68/17 R
2019/0307307 A1 * 10/2019 Wong A47L 15/0081
2021/0214879 A1 * 7/2021 Lee D06F 58/20

* cited by examiner

FIG. 1

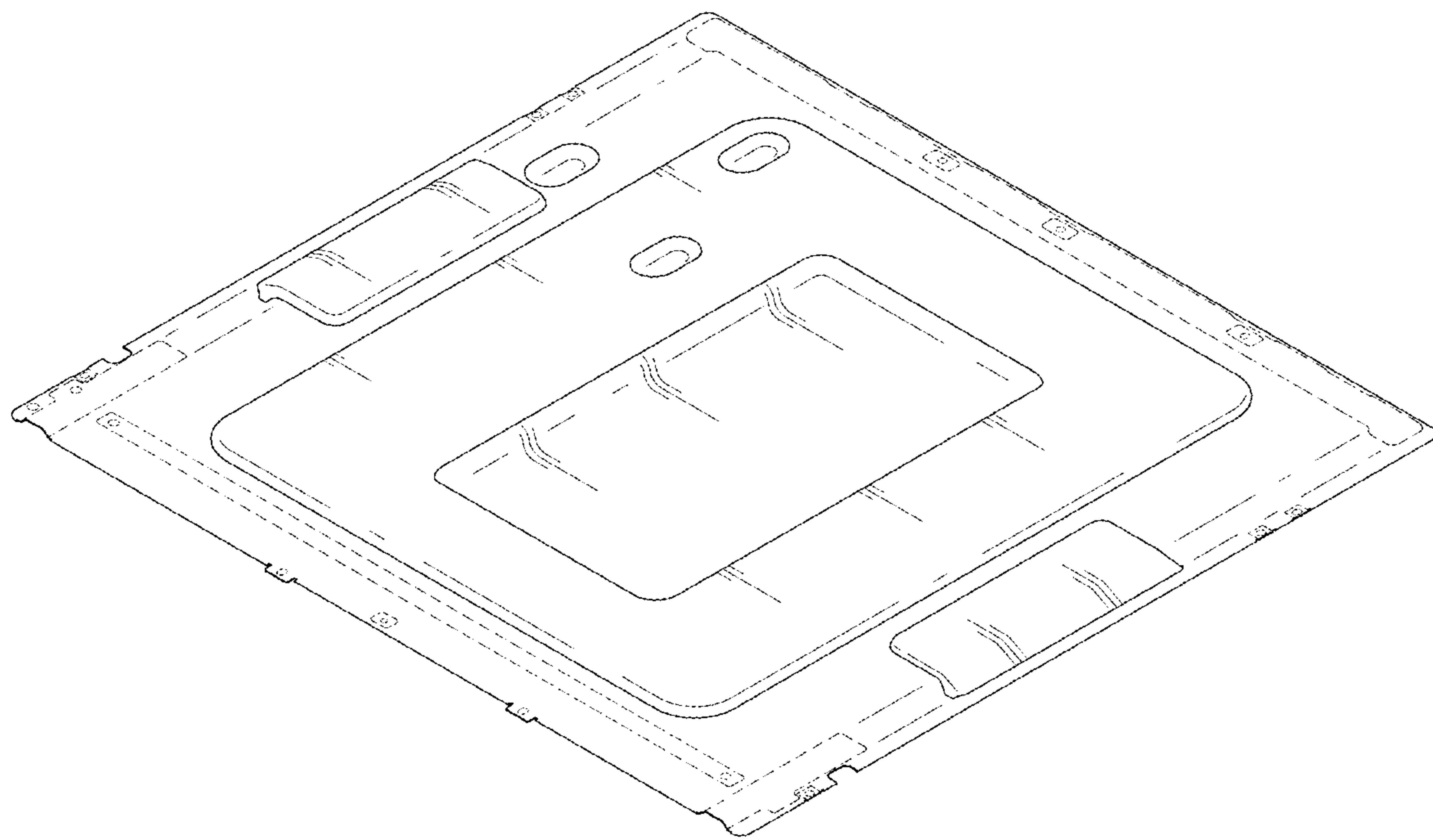


FIG. 2

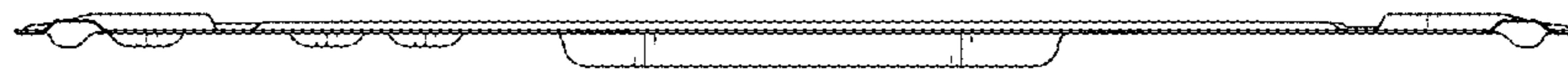


FIG. 3

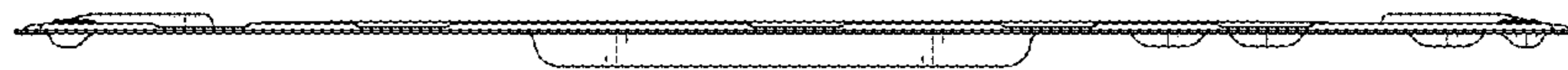


FIG. 4

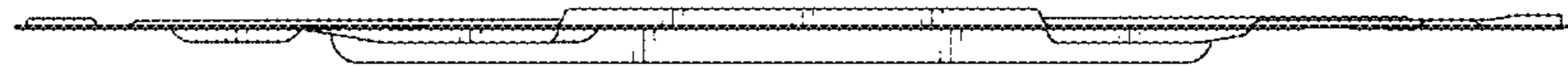


FIG. 5

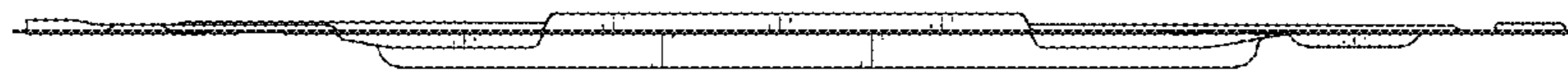


FIG. 6

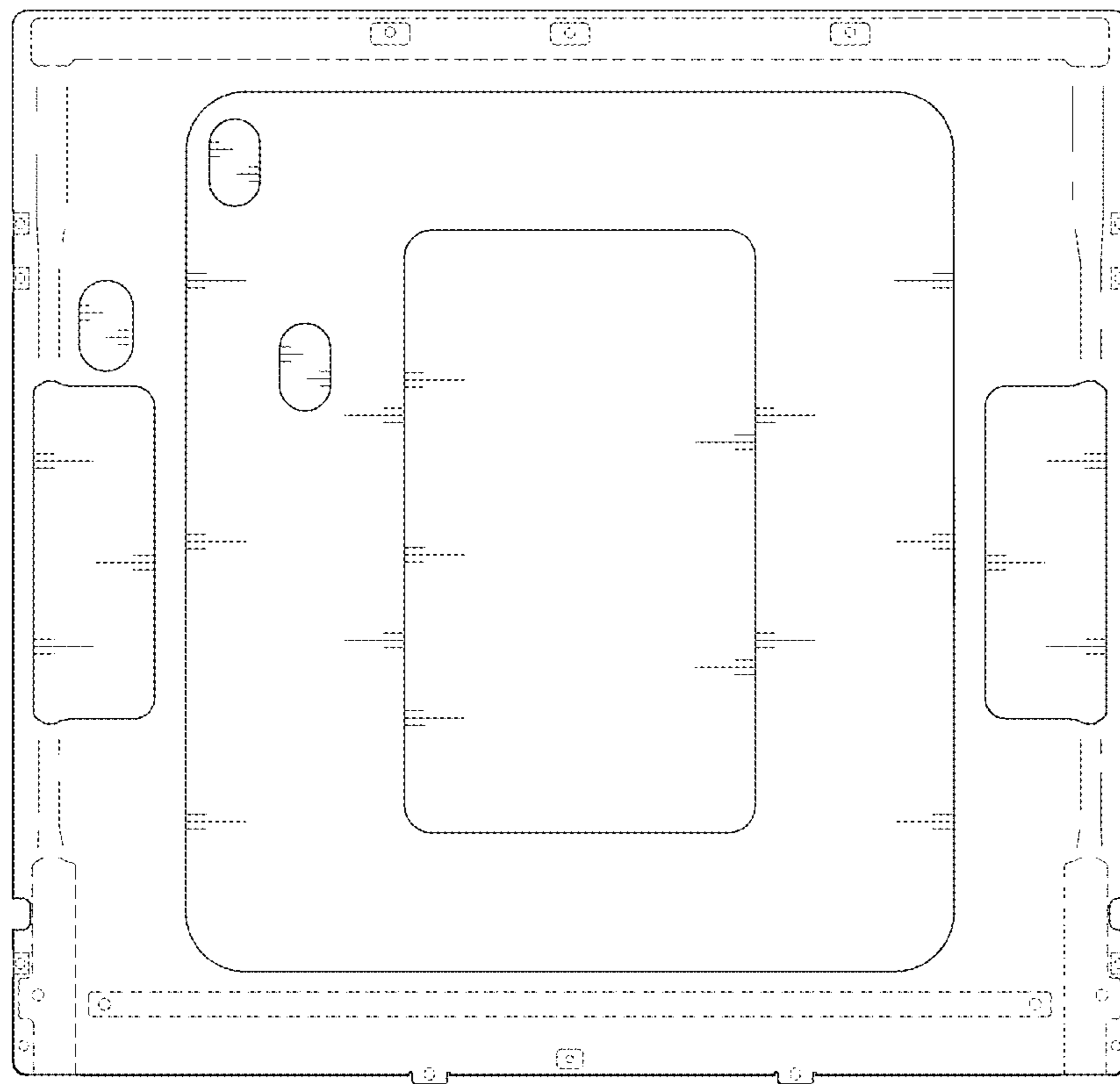


FIG. 7

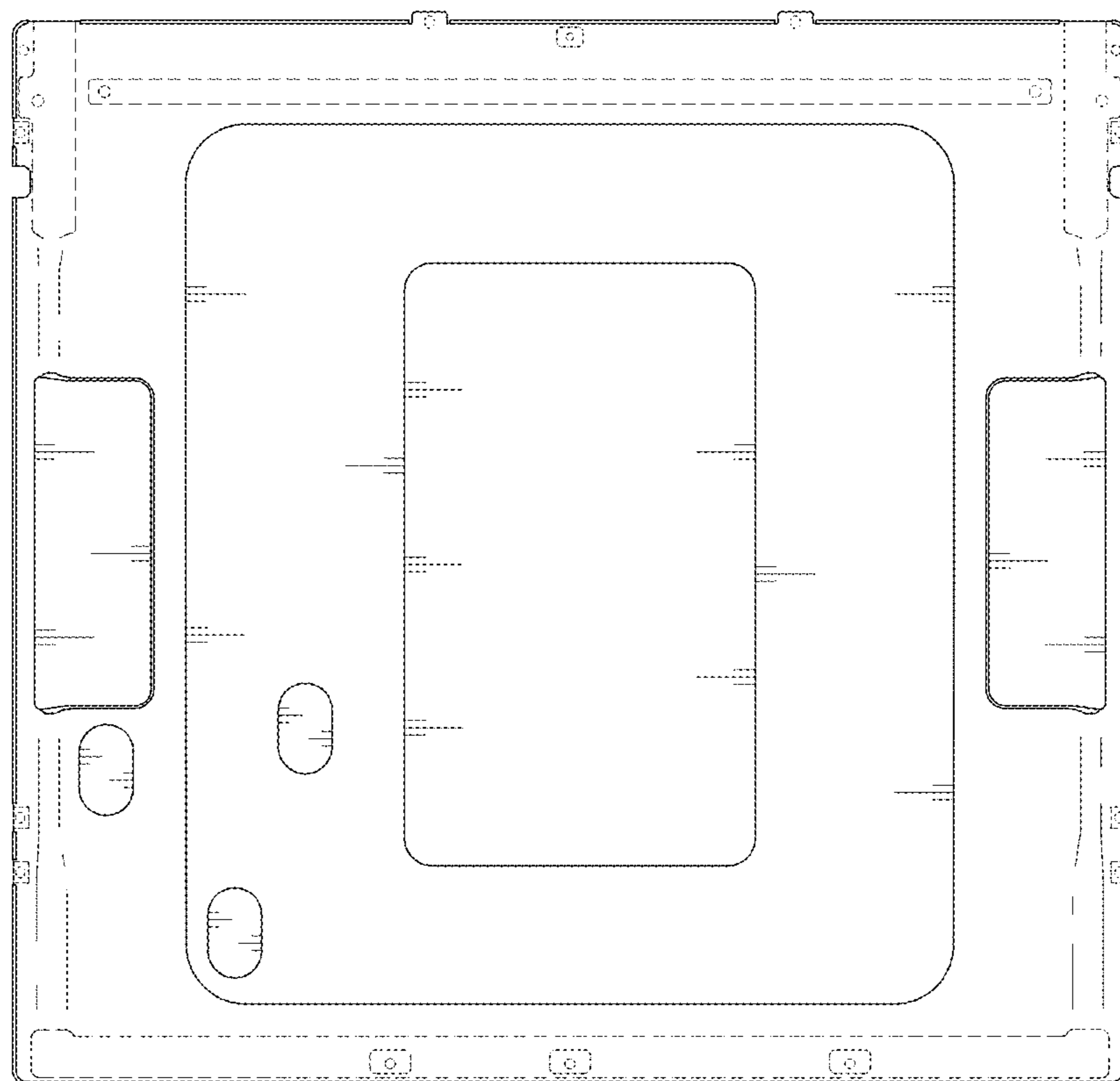


FIG. 8

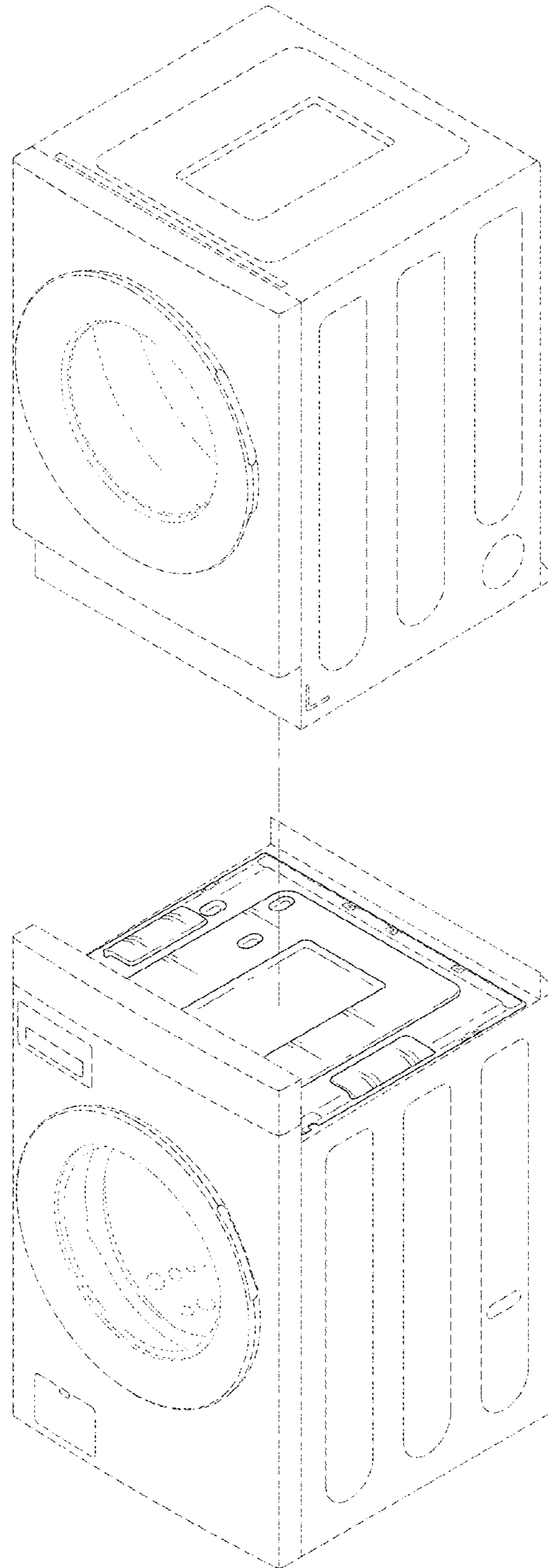


FIG. 9

