



US00D982857S

(12) **United States Design Patent**  
**Zhang**

(10) **Patent No.:** **US D982,857 S**

(45) **Date of Patent:** **\*\* Apr. 4, 2023**

(54) **GLASS RINSER**

FOREIGN PATENT DOCUMENTS

(71) Applicant: **Xiamen Brilligent Sanitary Ware Co., Ltd.**, Fujian (CN)

CN 30701115 \* 12/2021  
CN 307011151 S 12/2021  
CN 307058259 \* 1/2022

(72) Inventor: **Zuxing Zhang**, Xiamen (CN)

(73) Assignee: **Xiamen Brilligent Sanitary Ware Co., Ltd.**, Xiamen (CN)

OTHER PUBLICATIONS

(\*) Notice: Patent file contains an affidavit/declaration under 37 CFR 1.130(b).

A-TION Stainless Steel Glass Rinser for Kitchen Sinks, available in Amazon.com, date first available Dec. 27, 2021 [online], [site visited Sep. 14, 2022], Available from the internet URL: <https://www.amazon.com/TION-Stainless-Powerful-Accessories-Automatic/dp/B09P8695C1> (Year: 2021).\*

(\*\*) Term: **15 Years**

Grandiance Metal Glass Rinser for Kitchen Sink, available in Amazon.com, date first available Aug. 2, 2021 [online], [site visited Sep. 14, 2022], Available from the internet URL: [https://www.amazon.com/dp/B099QJYH3D/ref=sspa\\_dk\\_detail\\_3](https://www.amazon.com/dp/B099QJYH3D/ref=sspa_dk_detail_3) (Year: 2021).\*

(21) Appl. No.: **29/828,253**

\* cited by examiner

(22) Filed: **Feb. 25, 2022**

(51) **LOC (14) Cl.** ..... **15-05**

(52) **U.S. Cl.**  
USPC ..... **D32/2; D32/3**

*Primary Examiner* — Jennifer Rivard  
*Assistant Examiner* — Jennylou M Binas

(58) **Field of Classification Search**  
USPC ..... D32/2, 3, 16, 26; D23/213, 214, 220, D23/377, 379; D7/412; D8/399  
CPC ..... A47L 15/0065; A47L 15/0076; A47L 15/0089; A47L 15/14; A47L 15/4214; A47L 15/32; B08B 3/02; B08B 9/34  
See application file for complete search history.

(57) **CLAIM**

The ornamental design for a glass rinser, as shown and described.

(56) **References Cited**

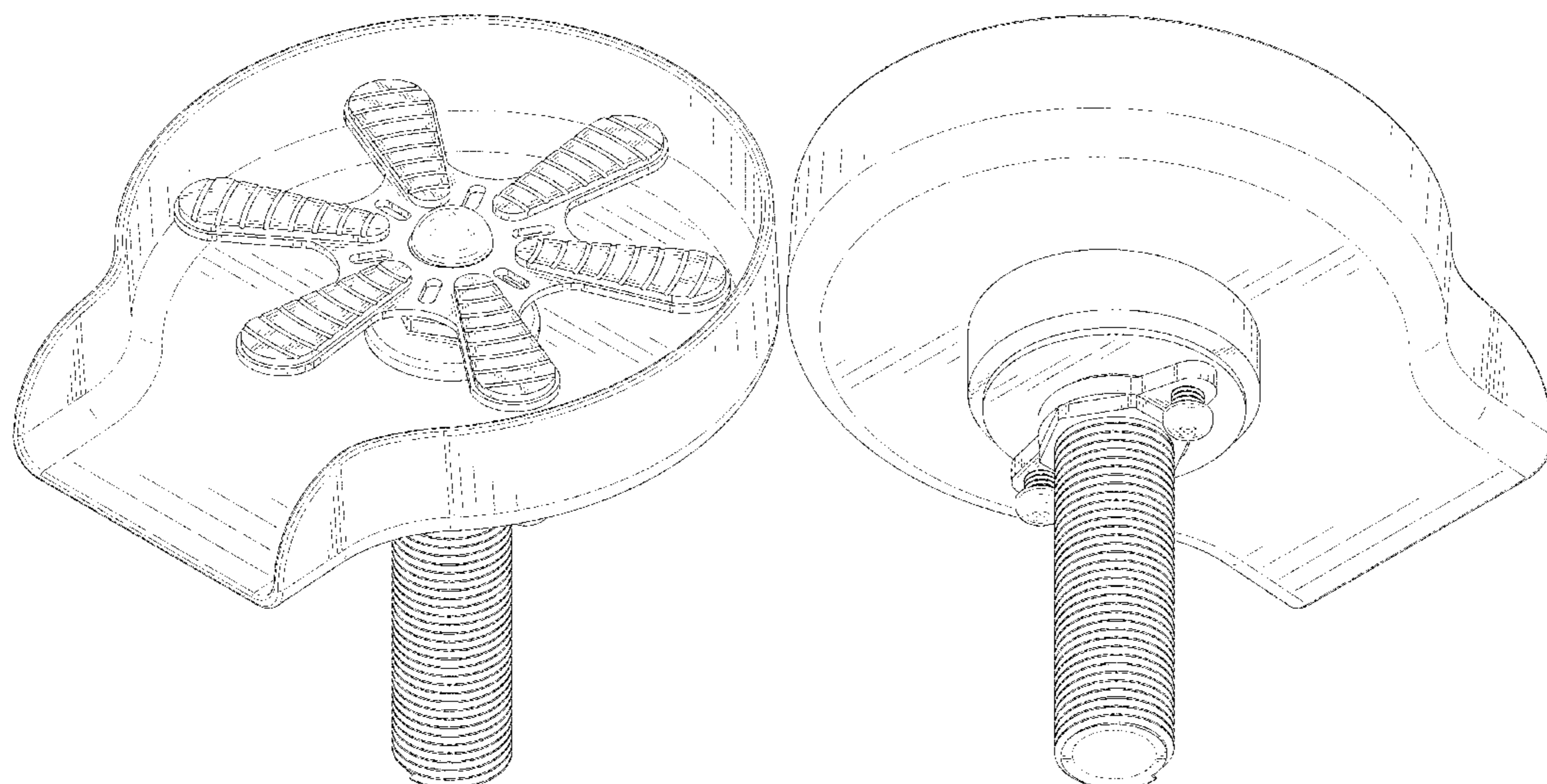
U.S. PATENT DOCUMENTS

D748,351 S \* 1/2016 Baldwin ..... D32/3  
D748,973 S 2/2016 Rodenhouse et al.  
D761,056 S \* 7/2016 Kemker ..... D7/378  
D770,228 S \* 11/2016 Pan ..... D7/378  
D836,262 S \* 12/2018 Lee ..... D32/3  
D882,890 S \* 4/2020 Baldwin ..... D32/3  
D910,939 S \* 2/2021 Nam ..... D32/3  
D957,764 S \* 7/2022 Kwong ..... A47L 17/02  
D32/2  
2018/0092505 A1 \* 4/2018 Simon ..... B05B 9/0403  
2020/0107694 A1 \* 4/2020 Kwong ..... A47L 15/0076  
2022/0339678 A1 \* 10/2022 Ding ..... A47L 15/0065

**DESCRIPTION**

FIG. 1 is a front and top perspective view of a glass rinser, showing my new design;  
FIG. 2 is a rear and bottom perspective view thereof;  
FIG. 3 is a front elevation view thereof;  
FIG. 4 is a rear elevation view thereof;  
FIG. 5 is a left side elevation view thereof;  
FIG. 6 is a right side elevation view thereof;  
FIG. 7 is a top plan view thereof; and,  
FIG. 8 is a bottom plan view thereof.  
The broken lines in the figures illustrate portions of the glass rinser that form no part of the claimed design.

**1 Claim, 8 Drawing Sheets**



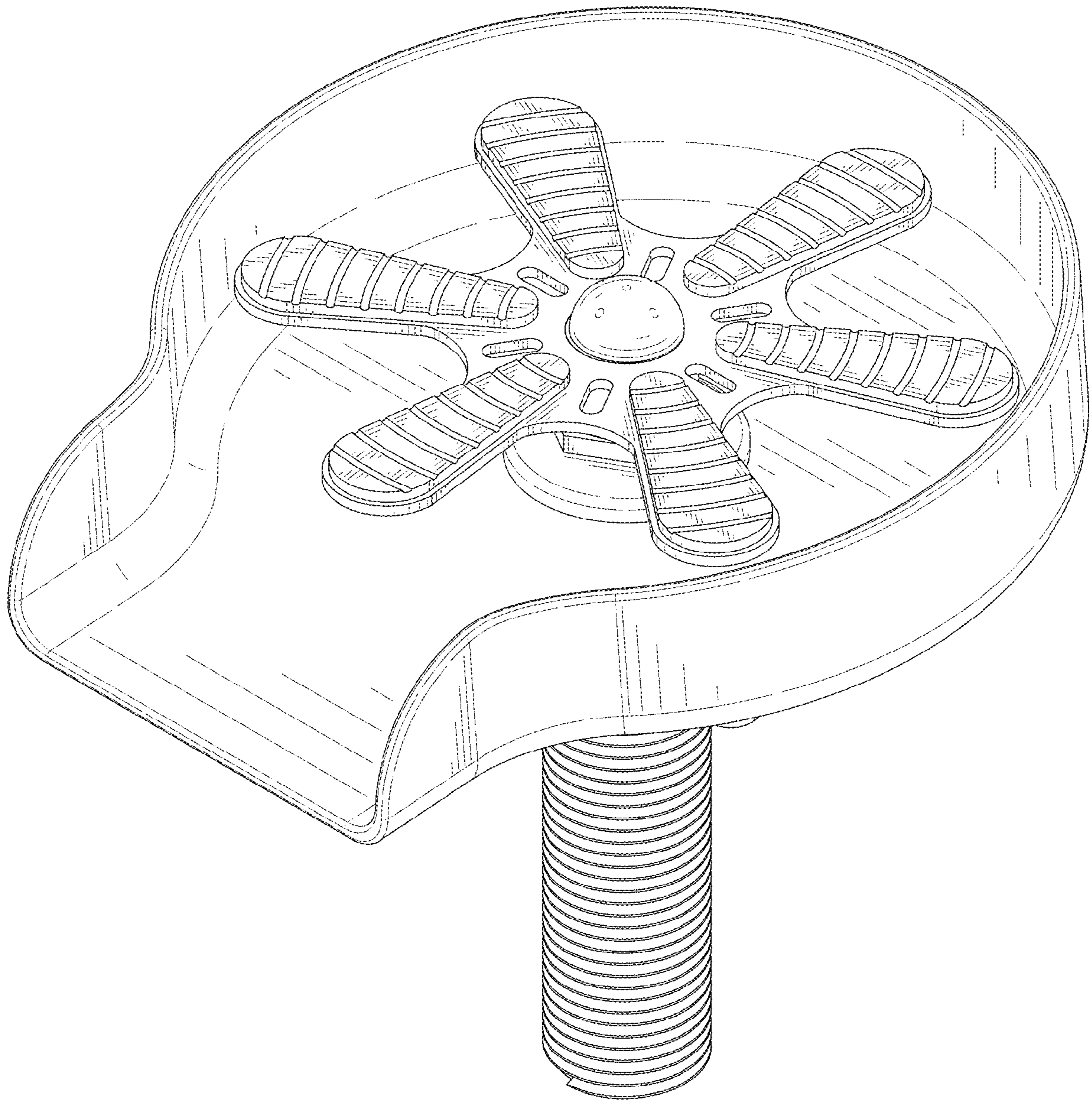


FIG. 1

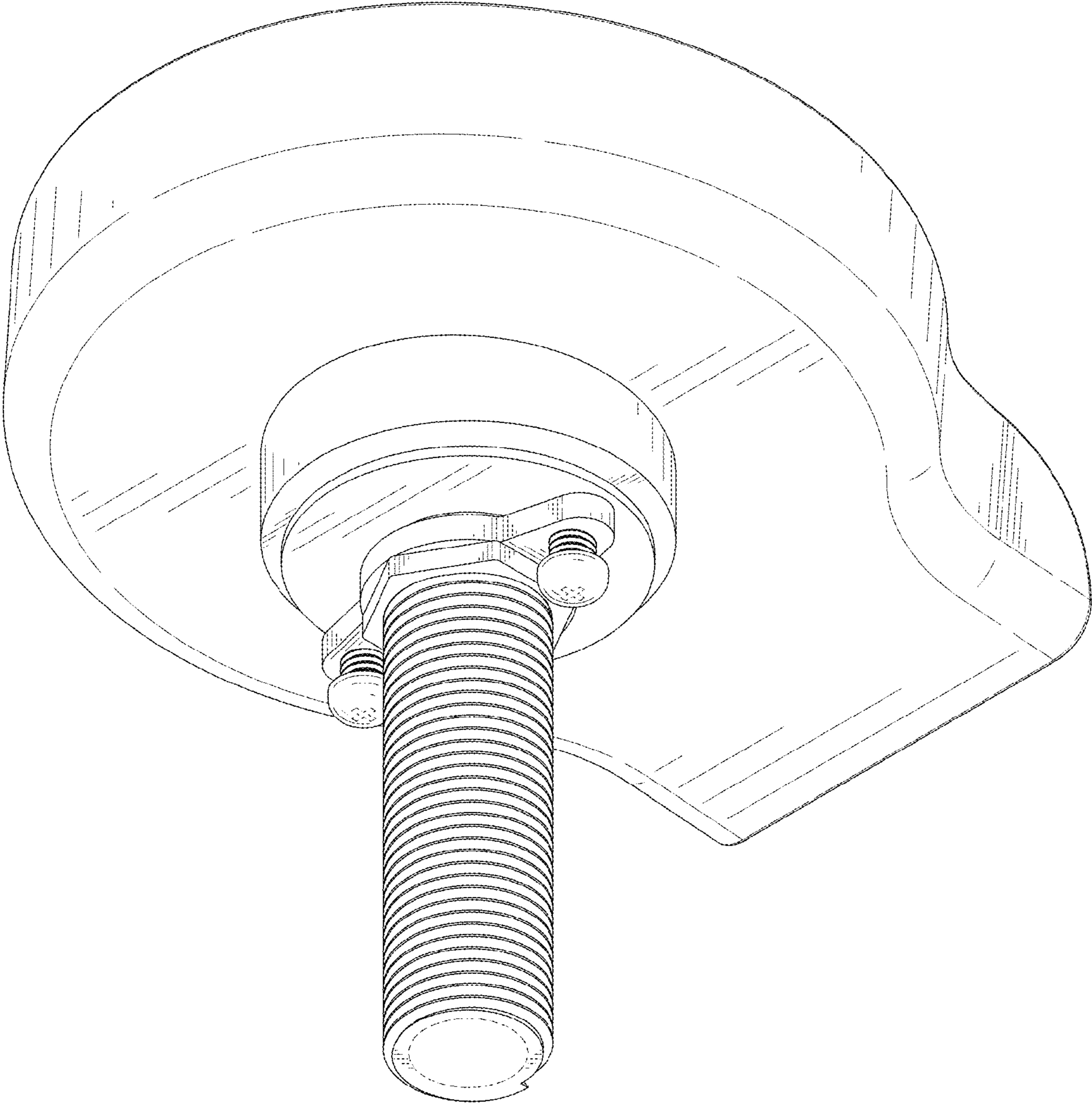


FIG. 2

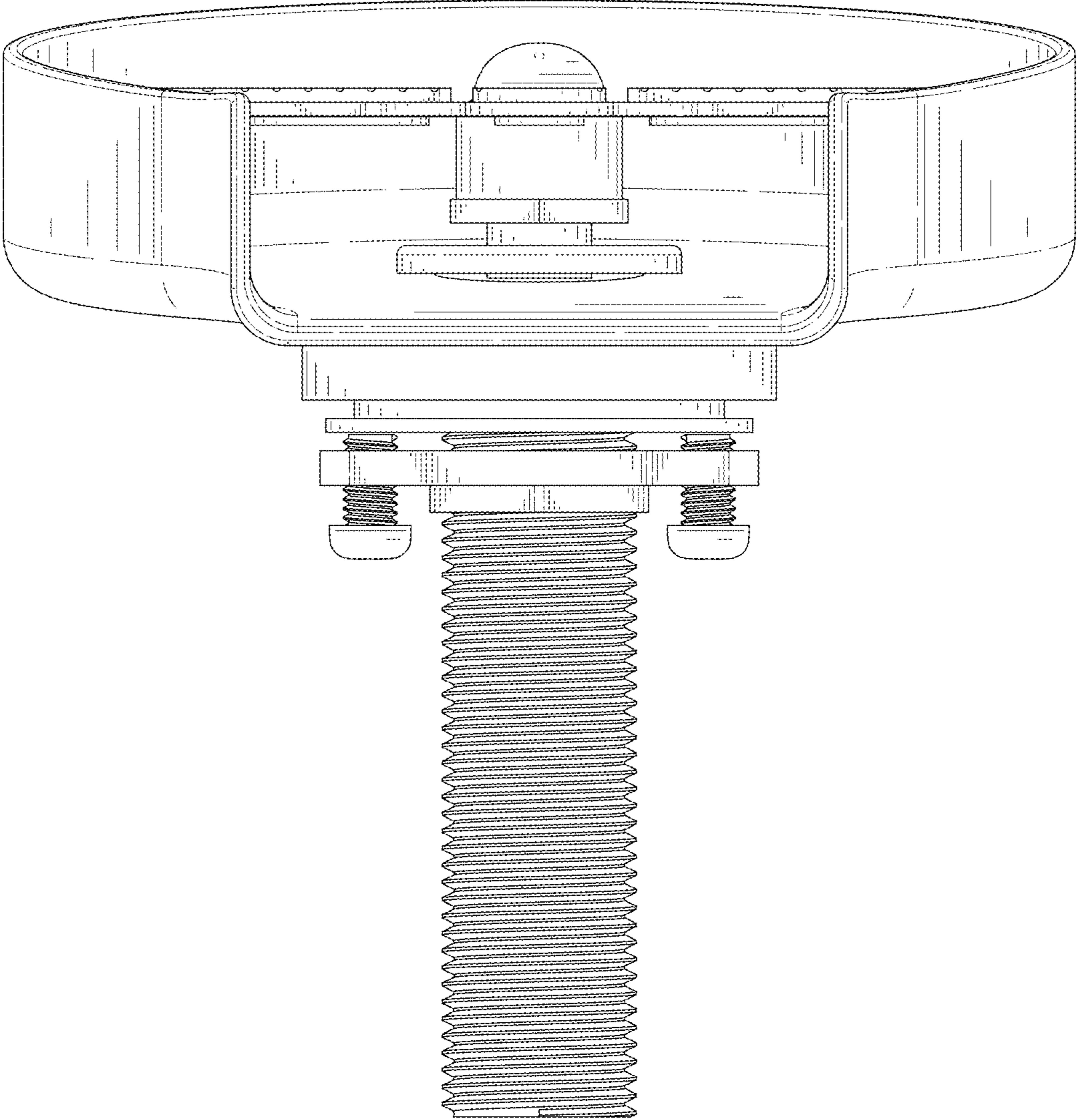


FIG. 3

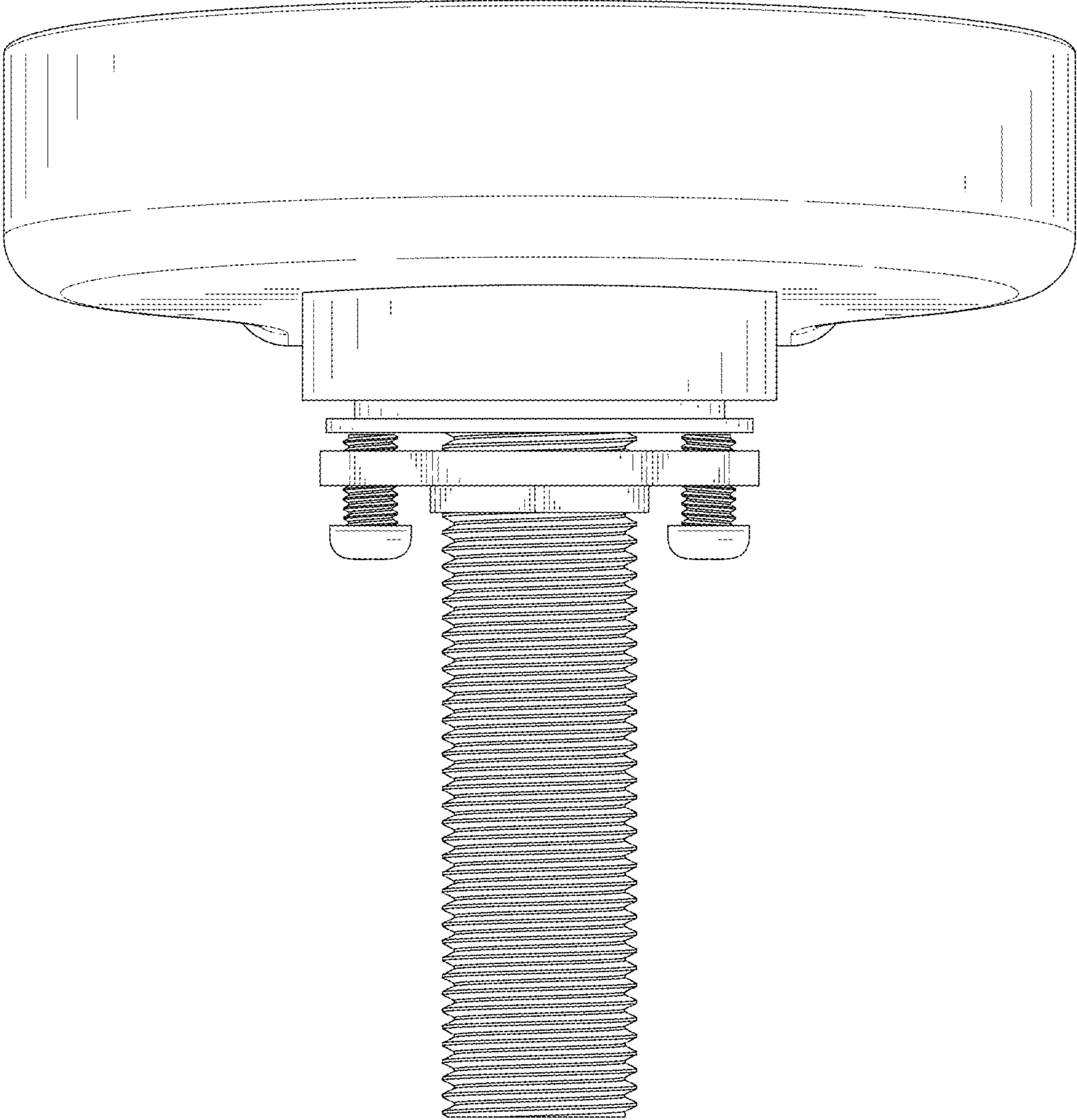


FIG. 4

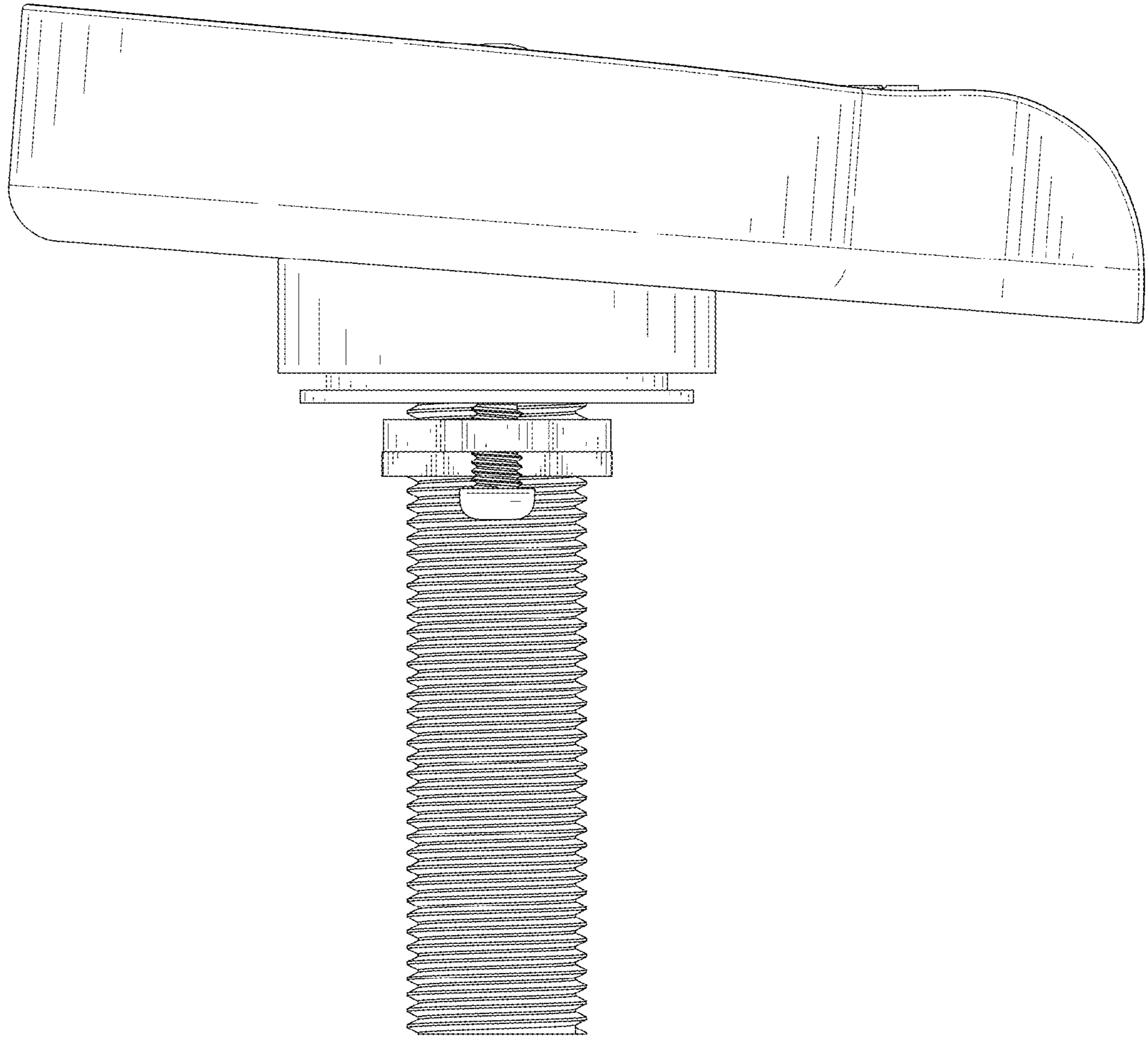


FIG. 5

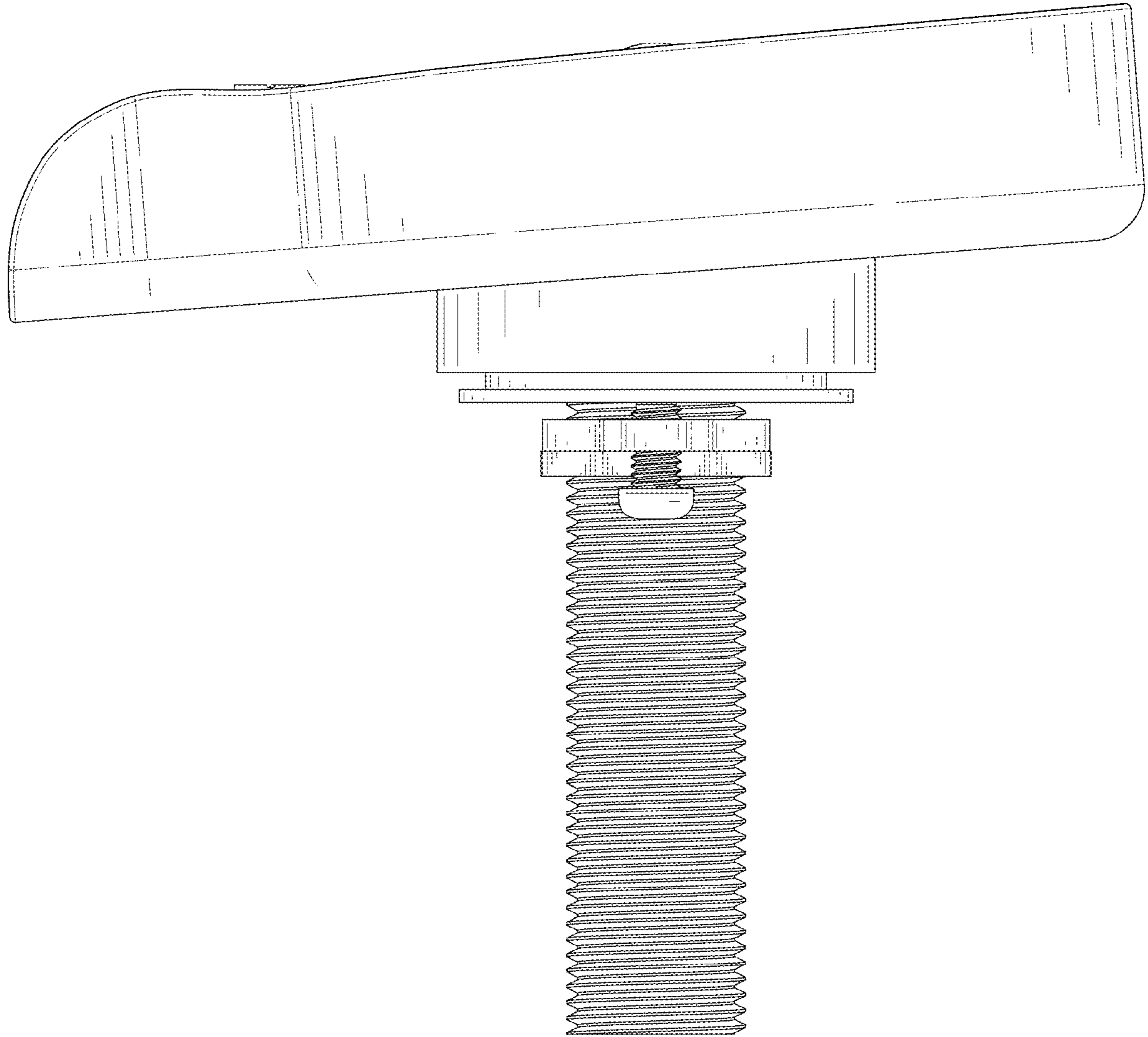


FIG. 6

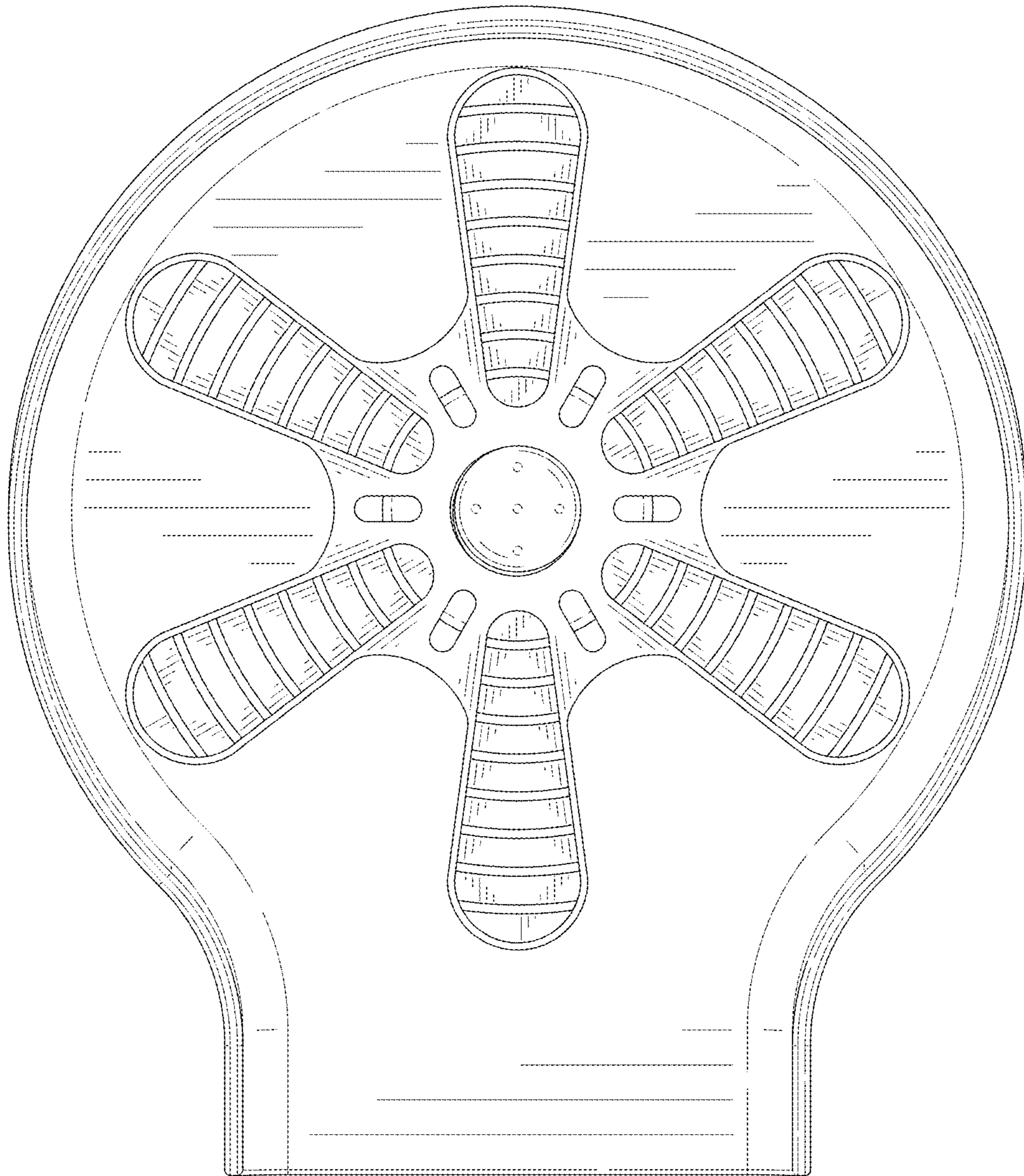


FIG. 7



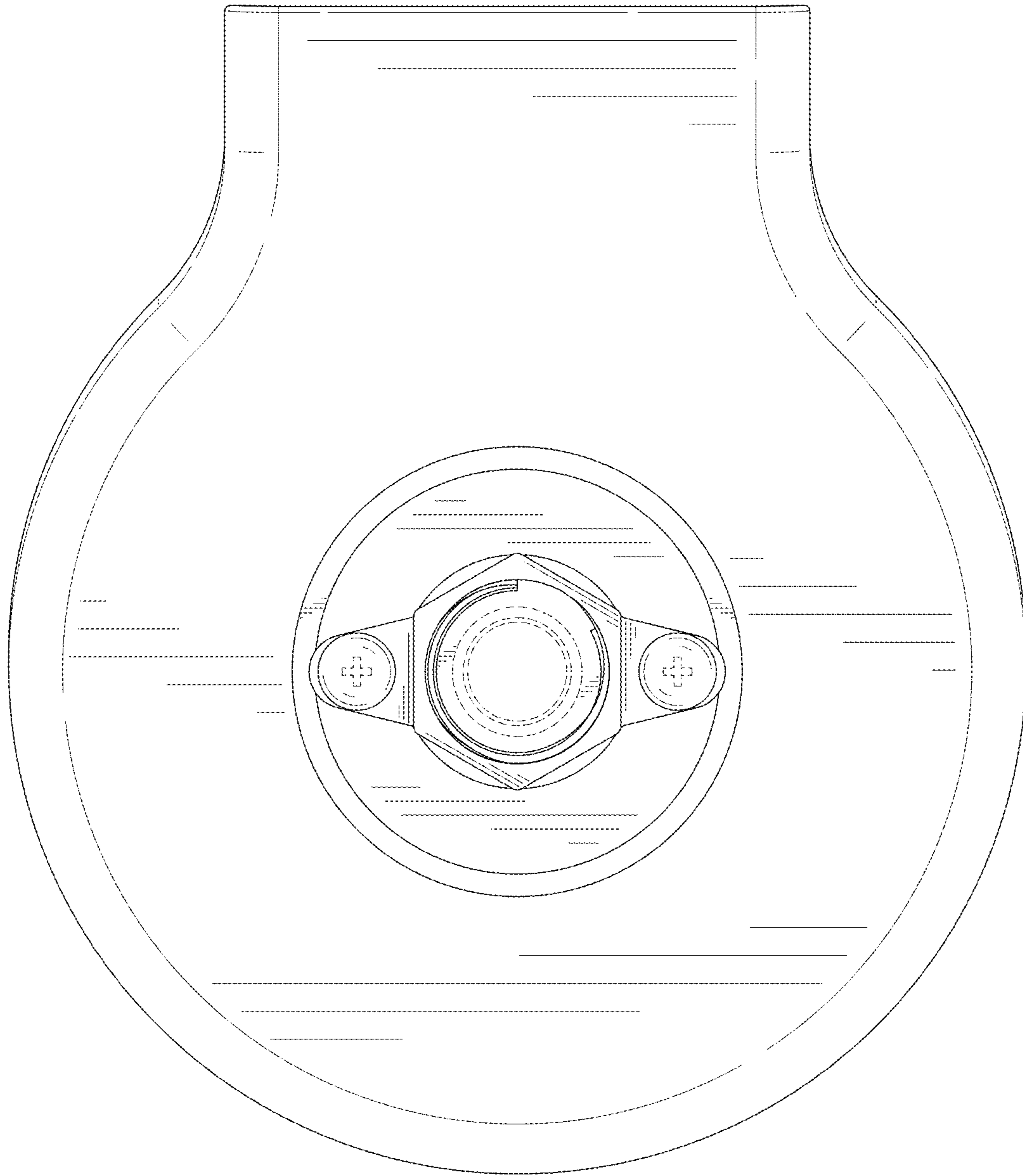


FIG. 8