



US00D982856S

(12) **United States Design Patent** (10) **Patent No.:** **US D982,856 S**  
**Lu** (45) **Date of Patent:** **\*\* Apr. 4, 2023**

(54) **GLASS RINSER**

(71) Applicant: **Zhenyuan Lu**, Fuzhou (CN)

(72) Inventor: **Zhenyuan Lu**, Fuzhou (CN)

(\*\*) Term: **15 Years**

(21) Appl. No.: **29/803,950**

(22) Filed: **Aug. 17, 2021**

(30) **Foreign Application Priority Data**

Aug. 5, 2021 (CN) ..... 202130503614.2

(51) **LOC (14) Cl.** ..... **15-05**

(52) **U.S. Cl.**  
USPC ..... **D32/2; D32/3**

(58) **Field of Classification Search**  
USPC ..... D32/2, 3, 16, 26; D23/213, 214, 220,  
D23/377, 379; D7/412; D8/399  
CPC ..... A47L 15/0065; A47L 15/0076; A47L  
15/0089; A47L 15/14; A47L 15/4214;  
A47L 15/32; B08B 3/02; B08B 9/34  
See application file for complete search history.

(56) **References Cited**

**U.S. PATENT DOCUMENTS**

D748,351 S \* 1/2016 Baldwin ..... D32/3  
D761,056 S \* 7/2016 Kemker ..... D7/378  
D770,228 S \* 11/2016 Pan ..... D7/378  
D836,262 S \* 12/2018 Lee ..... D32/3  
D910,939 S \* 2/2021 Nam ..... D32/3  
D957,764 S \* 7/2022 Kwong ..... A47L 17/02  
D32/2  
D960,310 S \* 8/2022 Chen ..... D23/214  
D967,929 S \* 10/2022 Lin ..... D23/213

2018/0092505 A1\* 4/2018 Simon ..... B05B 9/0403  
2020/0107694 A1\* 4/2020 Kwong ..... A47L 15/0076  
2022/0389693 A1\* 12/2022 Cipriani ..... A47L 15/0086

**FOREIGN PATENT DOCUMENTS**

CN 307433923 \* 7/2022

**OTHER PUBLICATIONS**

WorbWay Glass Rinser for Kitchen Sink, available in Amazon.com, date first available Mar. 13, 2021 [online], [site visited Nov. 17, 2022], Available from the internet URL: [https://www.amazon.com/dp/B09BHNS3JJ/ref=sspa\\_dk\\_detail\\_3](https://www.amazon.com/dp/B09BHNS3JJ/ref=sspa_dk_detail_3) (Year: 2021).\*

\* cited by examiner

*Primary Examiner* — Jennifer Rivard  
*Assistant Examiner* — Jennylou M Binas  
(74) *Attorney, Agent, or Firm* — Westbridge IP LLC

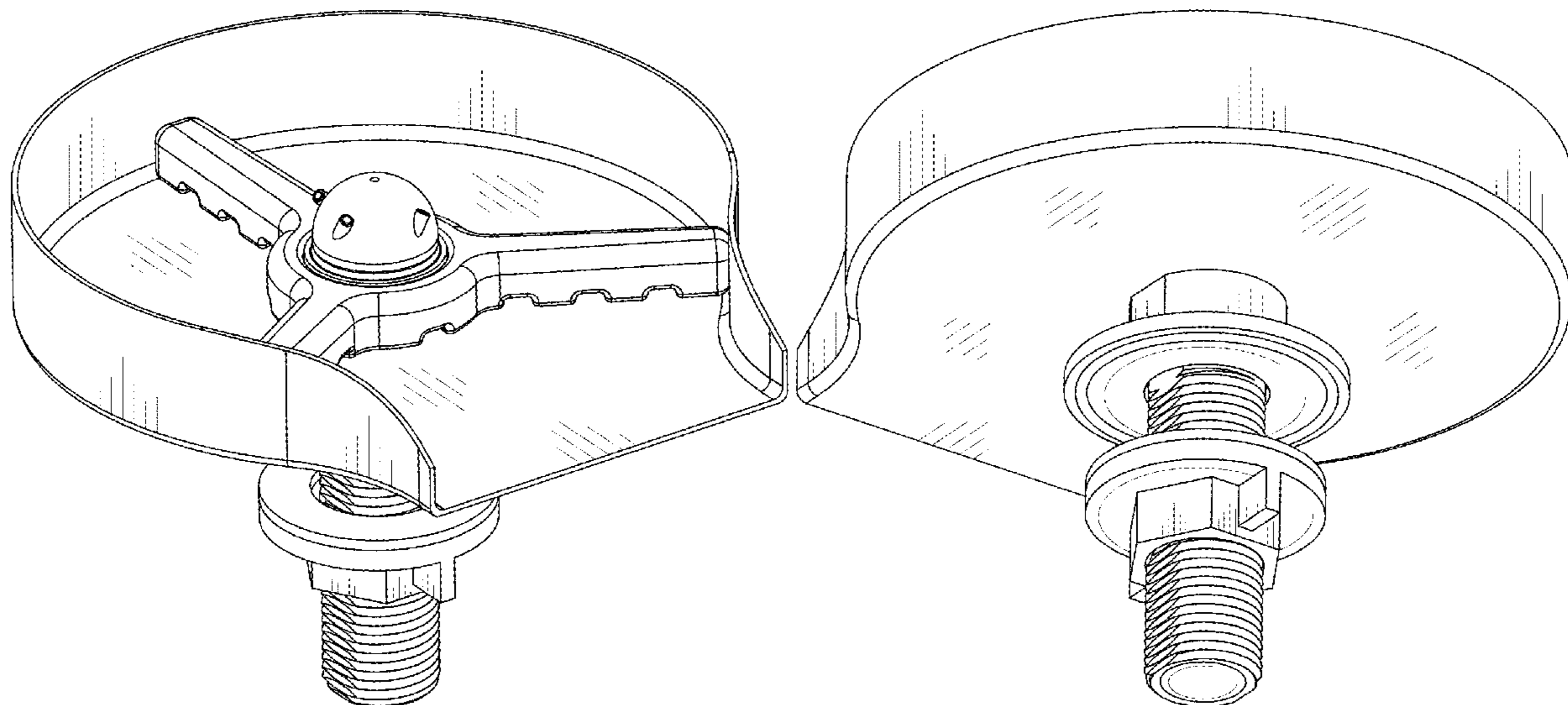
(57) **CLAIM**

The ornamental design for a glass rinser, as shown and described.

**DESCRIPTION**

FIG. 1 is a right side elevational view of a glass rinser showing my new design;  
FIG. 2 is a left side elevational view thereof;  
FIG. 3 is a front elevational view thereof;  
FIG. 4 is a rear elevational view thereof;  
FIG. 5 is a top plan view thereof;  
FIG. 6 is a bottom plan view thereof;  
FIG. 7 is a top perspective view thereof; and,  
FIG. 8 is a bottom perspective view thereof.  
The broken lines shown in the drawings depict portions of the glass rinser that form no part of the claimed design.

**1 Claim, 8 Drawing Sheets**



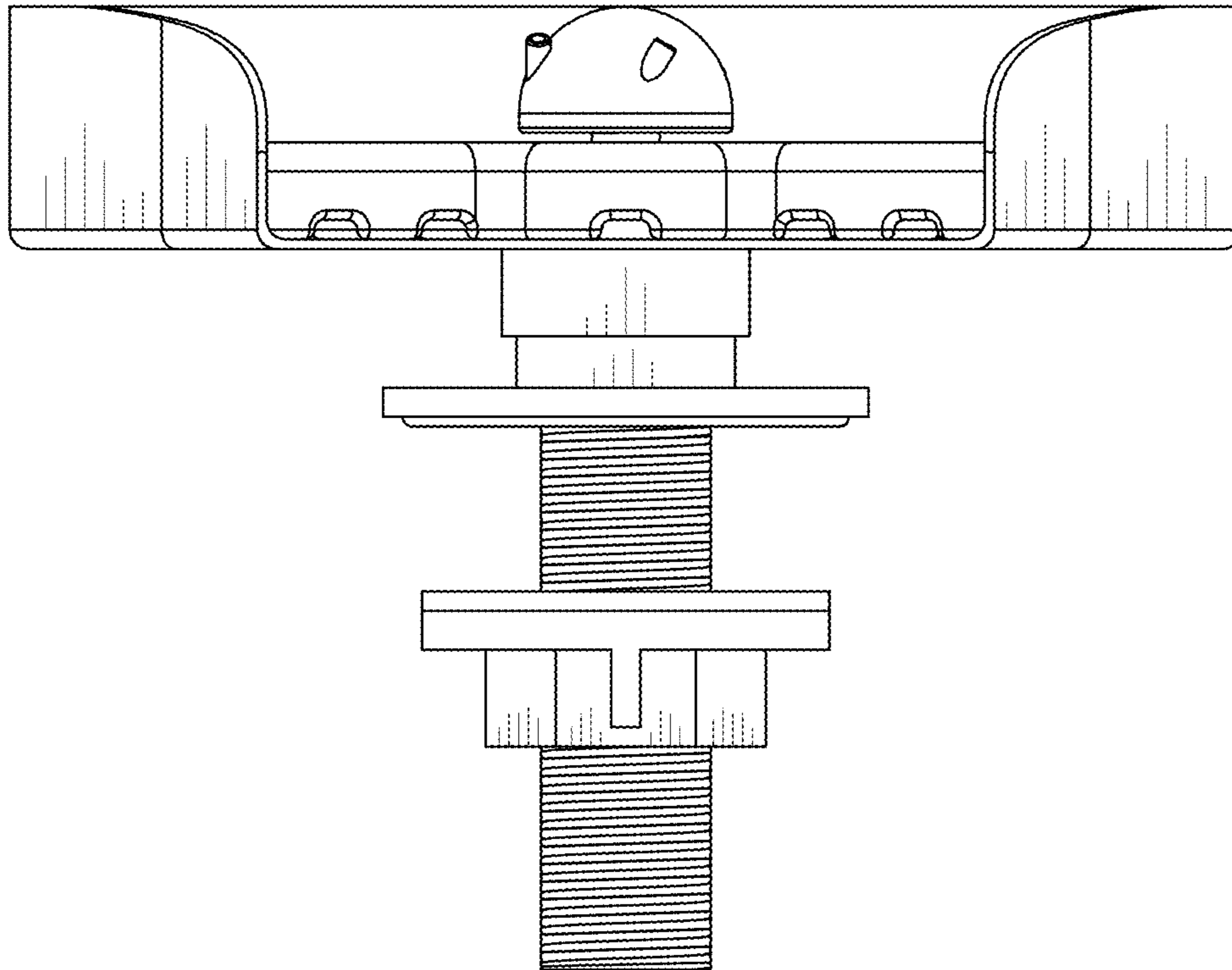


Fig.1

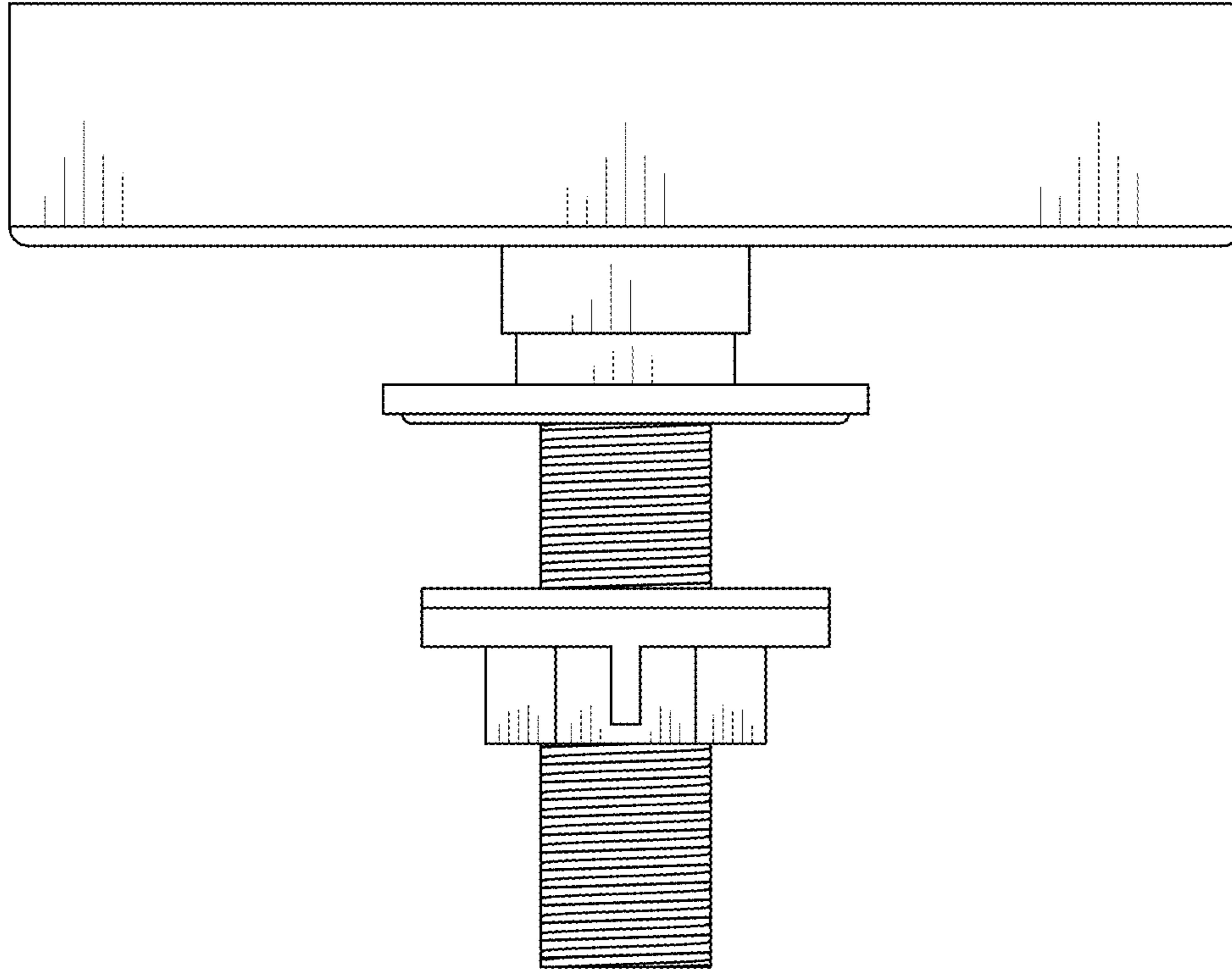


Fig.2

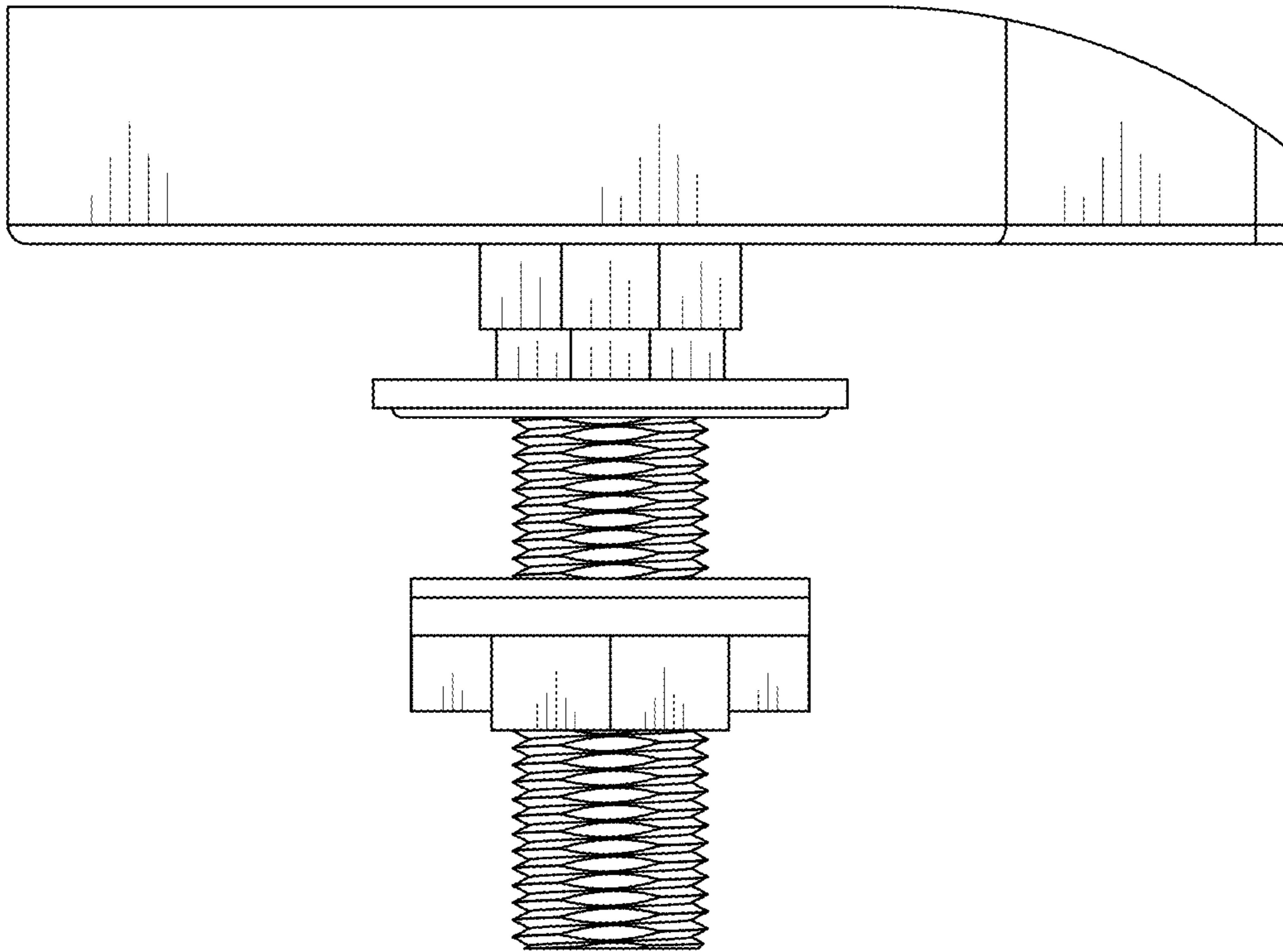


Fig.3

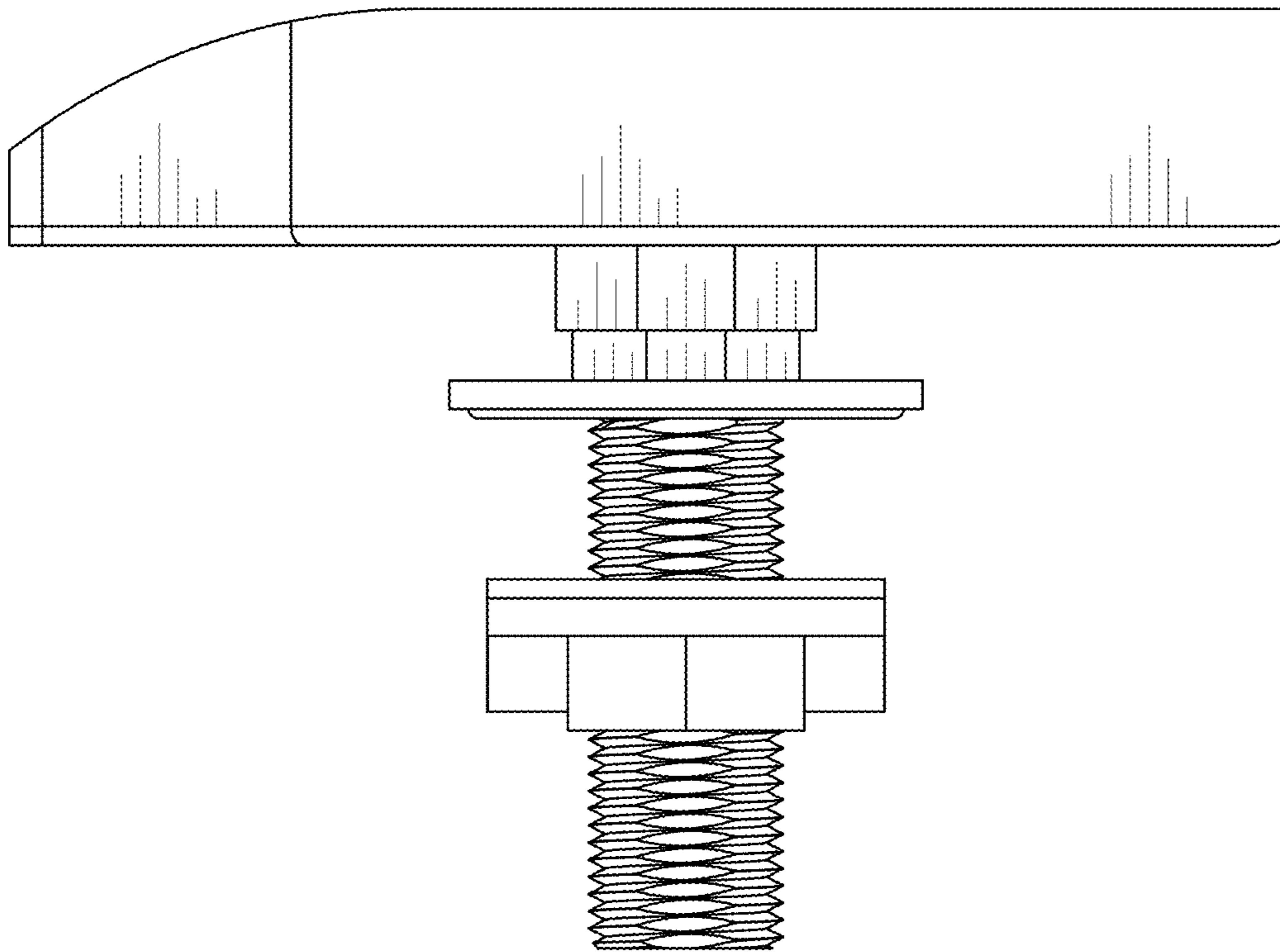


Fig.4

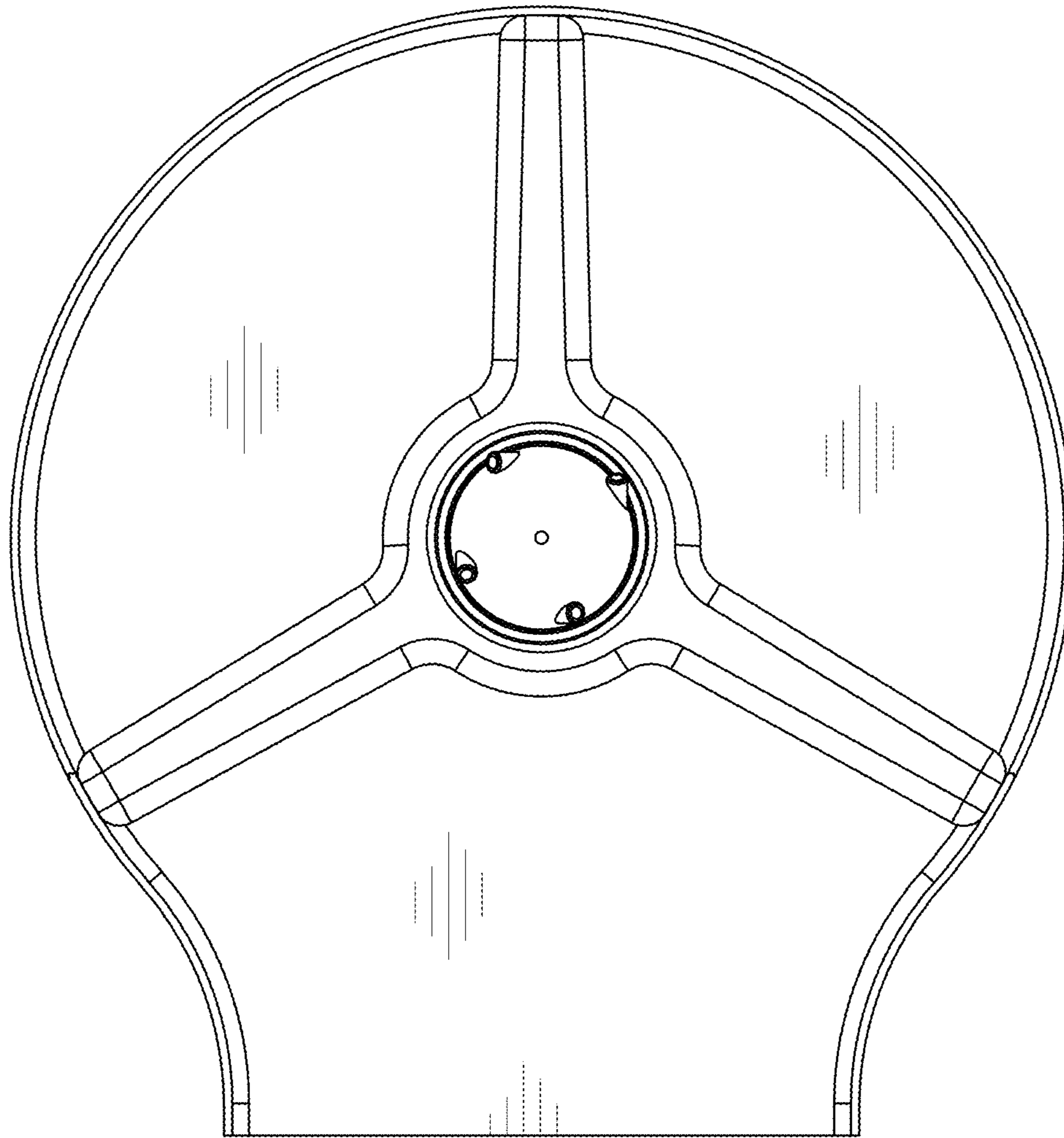


Fig.5

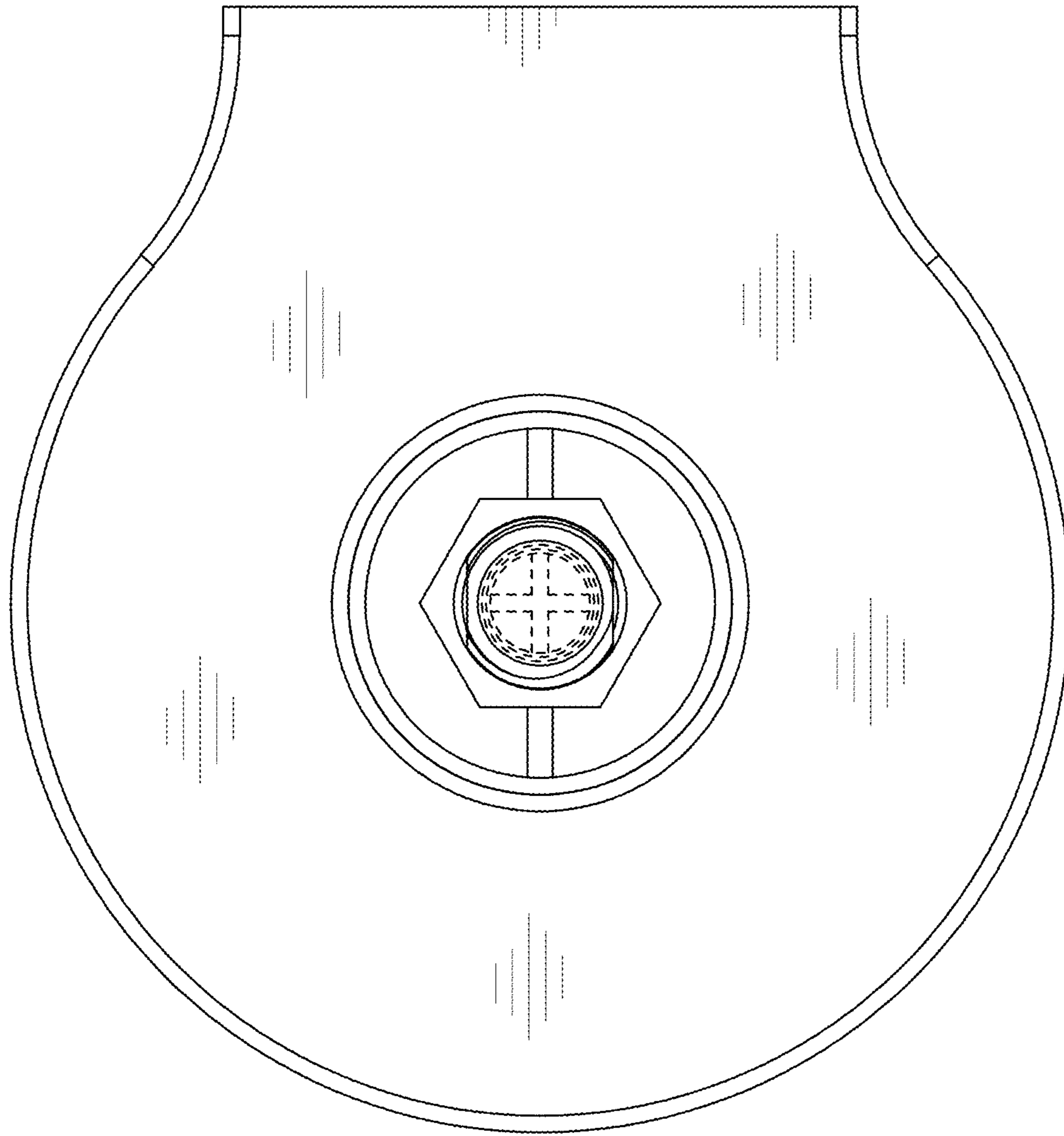


Fig.6

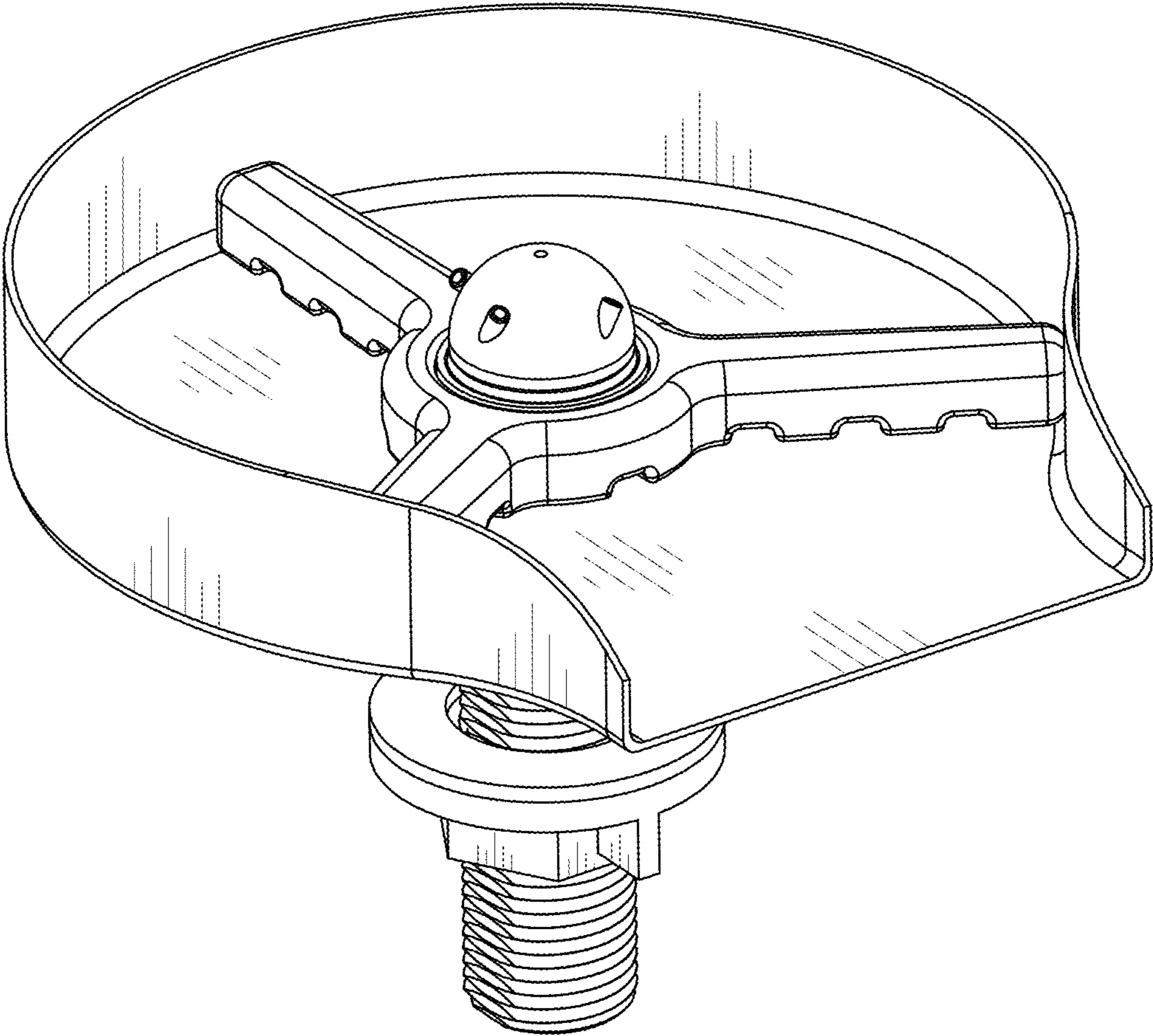


Fig.7



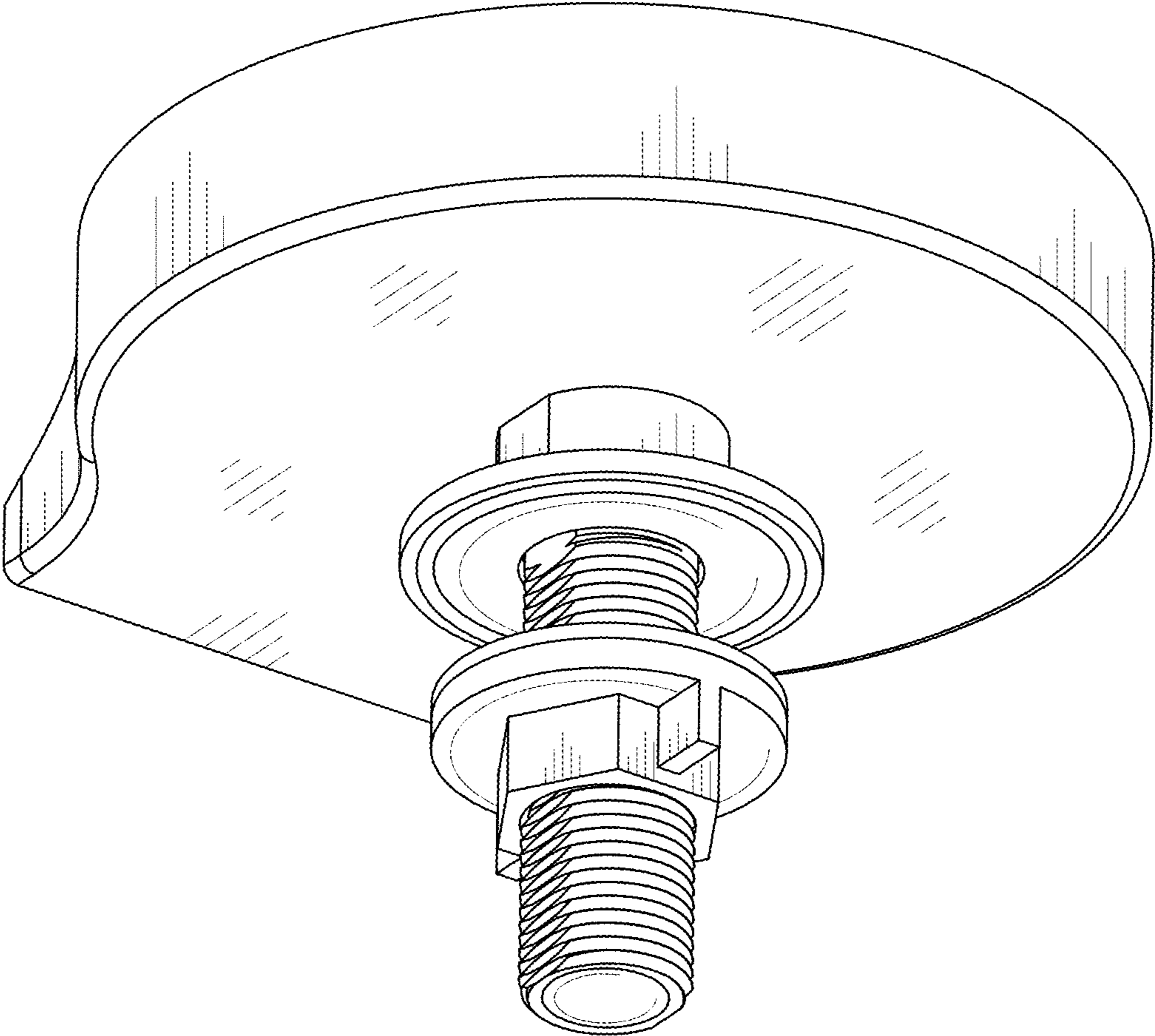


Fig.8