



US00D982855S

(12) **United States Design Patent**
Wu et al.

(10) **Patent No.:** **US D982,855 S**
(45) **Date of Patent:** **** Apr. 4, 2023**

- (54) **MEDICINE SYRINGE FOR A PET**
- (71) Applicant: **JINHUA JIU MIAO ENTERPRISE MANAGEMENT CO., LTD.**, Jinhua (CN)
- (72) Inventors: **Xia Wu**, Jinhua (CN); **Yun Xu**, Jinhua (CN); **Yifan Ge**, Jinhua (CN)
- (73) Assignee: **JINHUA JIU MIAO ENTERPRISE MANAGEMENT CO., LTD.**, Jinhua (CN)

4,418,580 A * 12/1983 Satchell B01L 3/0217
422/923
5,355,738 A * 10/1994 Heinonen B01L 3/0279
73/864.18
5,389,341 A * 2/1995 Tuunanen B01L 3/0227
73/864.18

(Continued)

FOREIGN PATENT DOCUMENTS

CN 201130429420.9 * 6/2012
CN 201330107514.3 * 9/2013

(Continued)

OTHER PUBLICATIONS

Taozua Pet Pill Dispenser, Pet Piller Gun Oral Tabley Capsule, dated May 19, 2021, amazon.com [online]. Retrieved Dec. 17, 2022 from internet <URL:https://www.amazon.com/TAOZUA-Dispenser-Capsule-Silicone-Syringes/dp/B095CC5WT9/?th=1> (Year: 2021).*

(Continued)

Primary Examiner — Andrew T Nemeth

(57) **CLAIM**

The ornamental design for a medicine syringe for a pet, as shown and described.

DESCRIPTION

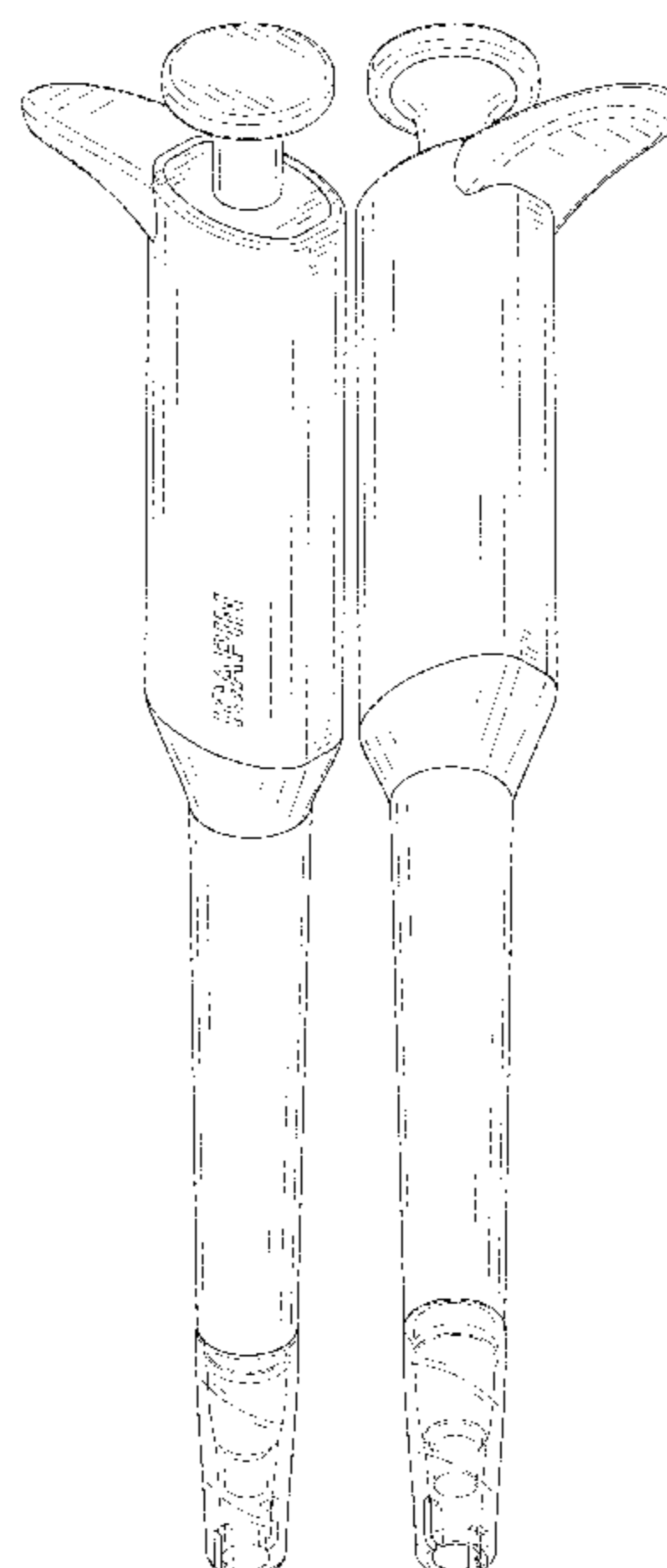
FIG. 1 is a perspective view of a medicine syringe for a pet showing our new design;
FIG. 2 is another perspective view thereof;
FIG. 3 is a front elevational view thereof;
FIG. 4 is a rear elevational view thereof;
FIG. 5 is a left side elevational view thereof;
FIG. 6 is a right side elevational view thereof;
FIG. 7 is a top plan view thereof; and,
FIG. 8 is a bottom plan view thereof.
The broken lines in the drawings depict portions of the medicine syringe for a pet that form no part of the claimed design.

1 Claim, 8 Drawing Sheets

- (**) Term: **15 Years**
- (21) Appl. No.: **29/865,905**
- (22) Filed: **Aug. 19, 2022**
- (51) **LOC (14) Cl.** **30-99**
- (52) **U.S. Cl.**
USPC **D30/199**; D24/144; D24/222
- (58) **Field of Classification Search**
USPC D30/119, 121–133, 199; D24/108,
D24/112–117, 222, 107, 130, 141, 188,
D24/231
CPC .. A01K 5/0135; A01K 39/014; A01K 39/012;
A01K 5/0225; A01K 5/01; B01L 3/021
See application file for complete search history.

(56) **References Cited**
U.S. PATENT DOCUMENTS

4,020,698 A * 5/1977 Marteau B01L 3/0224
73/864.18
4,084,730 A * 4/1978 Franke B01L 3/022
73/864.18
D252,823 S * 9/1979 Withers D24/114
4,283,950 A * 8/1981 Tervamaki B01L 3/0279
422/932



(56)

References Cited

U.S. PATENT DOCUMENTS

5,403,553 A * 4/1995 Heinonen B01L 3/021
422/922
5,435,197 A * 7/1995 Telimaa B01L 3/0279
422/932
D375,798 S * 11/1996 Boothby D24/222
5,650,124 A * 7/1997 Gilson B01L 3/0224
73/864.18
5,849,248 A * 12/1998 Homberg B01L 3/0224
73/864.18
D419,685 S * 1/2000 Jacquet D24/222
6,045,757 A * 4/2000 Moriarty B01L 3/0275
422/513
D426,643 S * 6/2000 Rainin D24/222
6,158,292 A * 12/2000 Gilson B01L 3/0279
73/864.18
D438,630 S * 3/2001 Honore D24/222
6,199,435 B1 * 3/2001 Wilmer B01L 3/0279
73/864.14
6,428,750 B1 * 8/2002 Rainin B01L 3/0224
73/864.18
6,532,837 B1 * 3/2003 Magussen, Jr. B01L 3/0279
73/864.01
7,284,454 B2 * 10/2007 Cote B01L 3/0224
73/864.18
D584,418 S * 1/2009 Rylski D24/222
D584,828 S * 1/2009 Rylski D24/222
D591,865 S * 5/2009 Hintikka D24/222
D592,314 S * 5/2009 Guo D24/222
D610,253 S * 2/2010 Kawamura D24/114
D625,429 S * 10/2010 Link D24/222
D672,469 S * 12/2012 Christensen D24/222
D690,006 S * 9/2013 Okuda D24/130
D703,828 S * 4/2014 Jackson D24/222

D770,056 S * 10/2016 LaCroix D24/222
D798,469 S * 9/2017 Malvoisin D24/222
9,878,104 B2 1/2018 Kakuta et al.
D809,668 S * 2/2018 Ramsamy D24/222
D865,946 S * 11/2019 Horlock D24/114
D878,568 S * 3/2020 Yim D24/114
D917,716 S * 4/2021 Malvoisin D24/222
2007/0056391 A1 * 3/2007 Karbowniczek B01L 3/0279
73/864.14
2007/0272037 A1 * 11/2007 Telimaa B01L 3/0217
422/400
2013/0315797 A1 * 11/2013 Carr F21V 33/0084
29/525.08
2019/0366323 A1 * 12/2019 Döbele B01L 3/0279
2020/0316582 A1 * 10/2020 Futashima B01L 3/02

FOREIGN PATENT DOCUMENTS

CN 201330180983.8 * 9/2013
EM 000928527-0001 * 7/2008
EM 009150675-0001 * 8/2022
EM 009152747-0001 * 8/2022
GB 90009385270001 * 5/2008

OTHER PUBLICATIONS

1 pc Push Type Pet Medicine Feeder, dated to Dec. 24, 2021, eur.shein.com [online]. Retrieved Dec. 17, 2022 from internet <URL:https://eur.shein.com/1pc-Push-Type-Pet-Medicine-Feeder-p-8604837-cat-2664.html> (Year: 2021).*

Balacoo Pet Pill Syringe Piller Shooter, dated to Jan. 20, 2022, amazon.com [online]. Retrieved Dec. 17, 2022 from internet <URL:https://www.amazon.com/balacoo-Pill-Syringe-Piller-Shooter/dp/B09QSLRN5H/> (Year: 2022).*

* cited by examiner

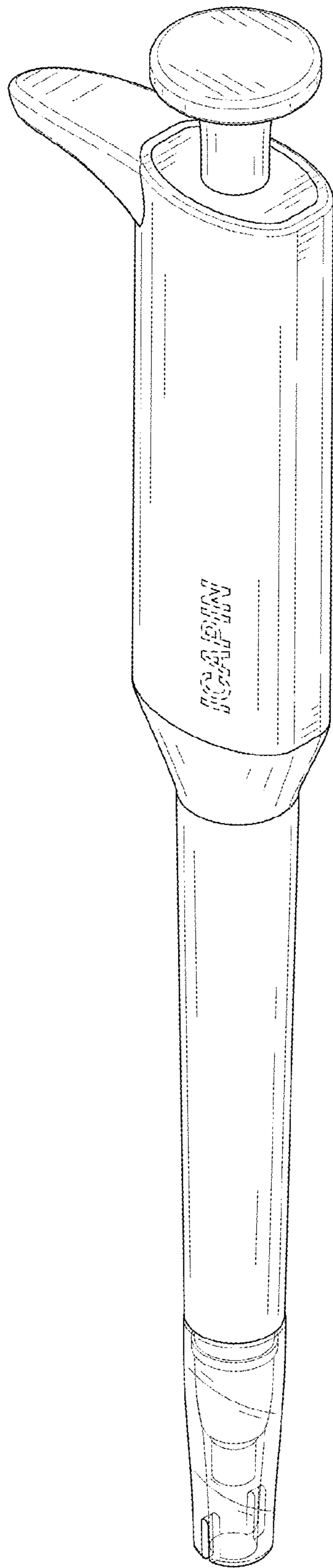


FIG. 1

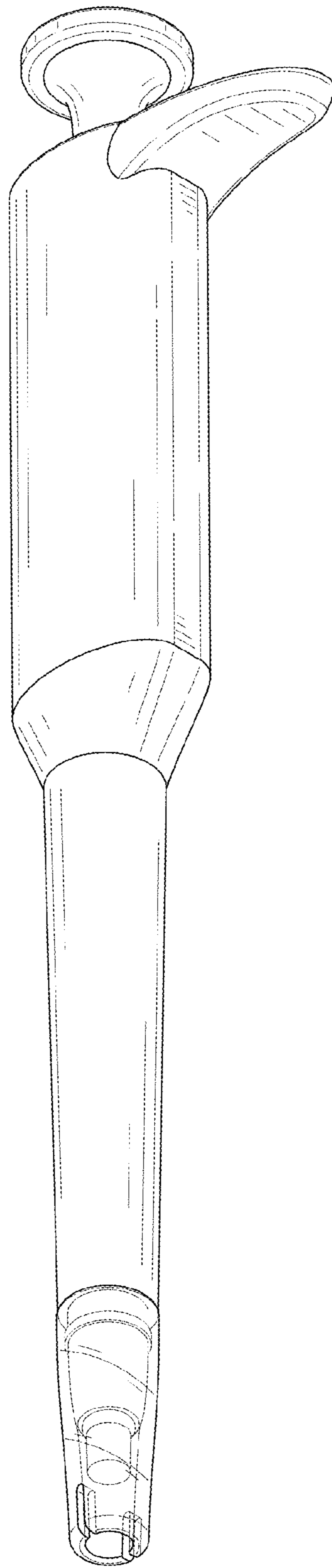


FIG. 2

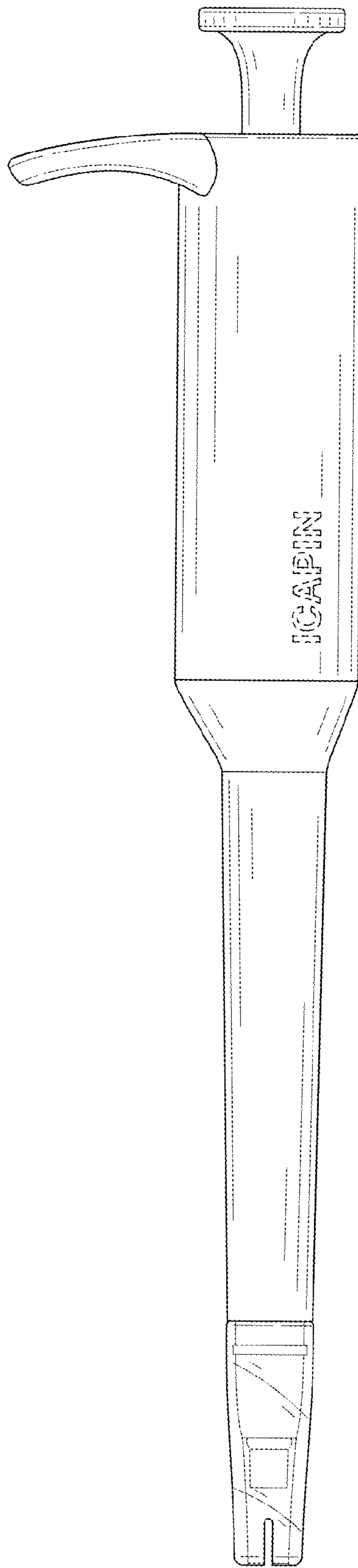


FIG. 3

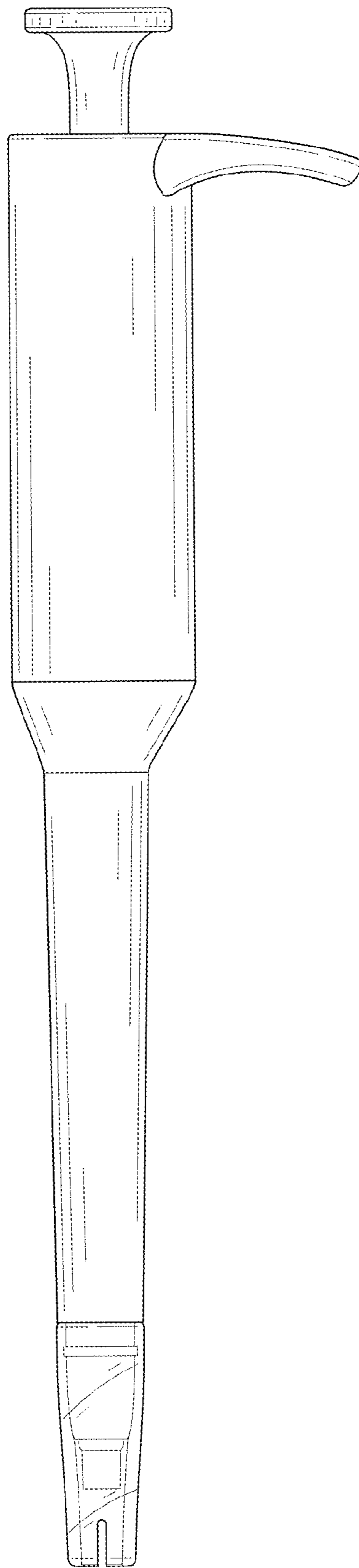


FIG. 4

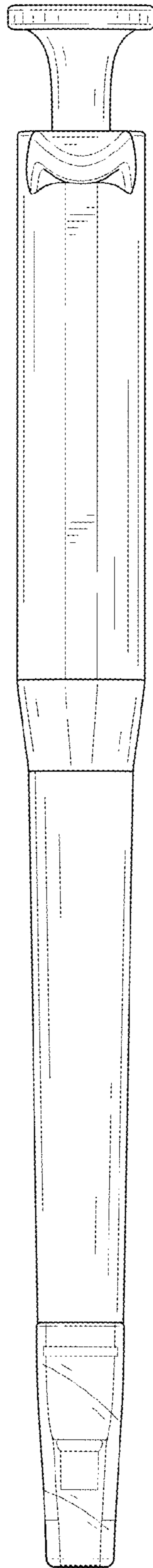


FIG. 5

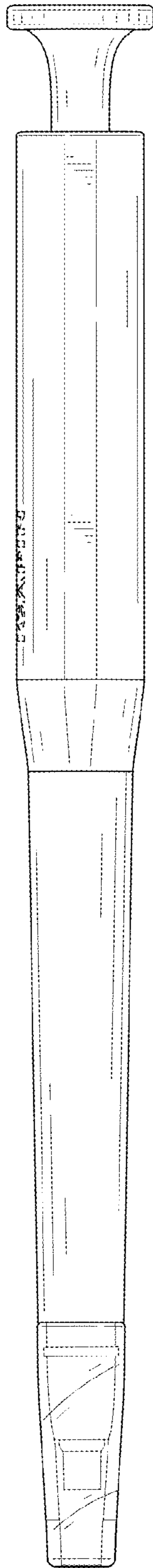


FIG. 6

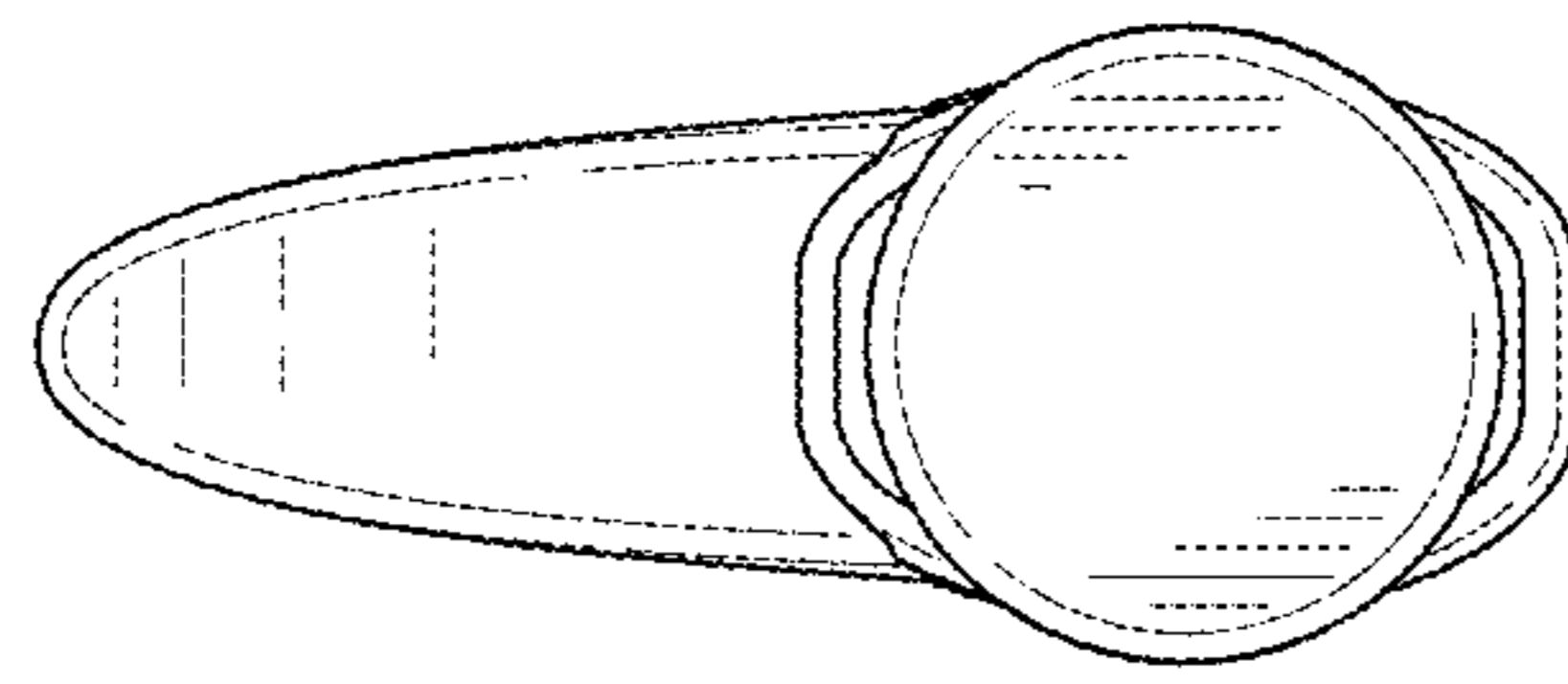


FIG. 7

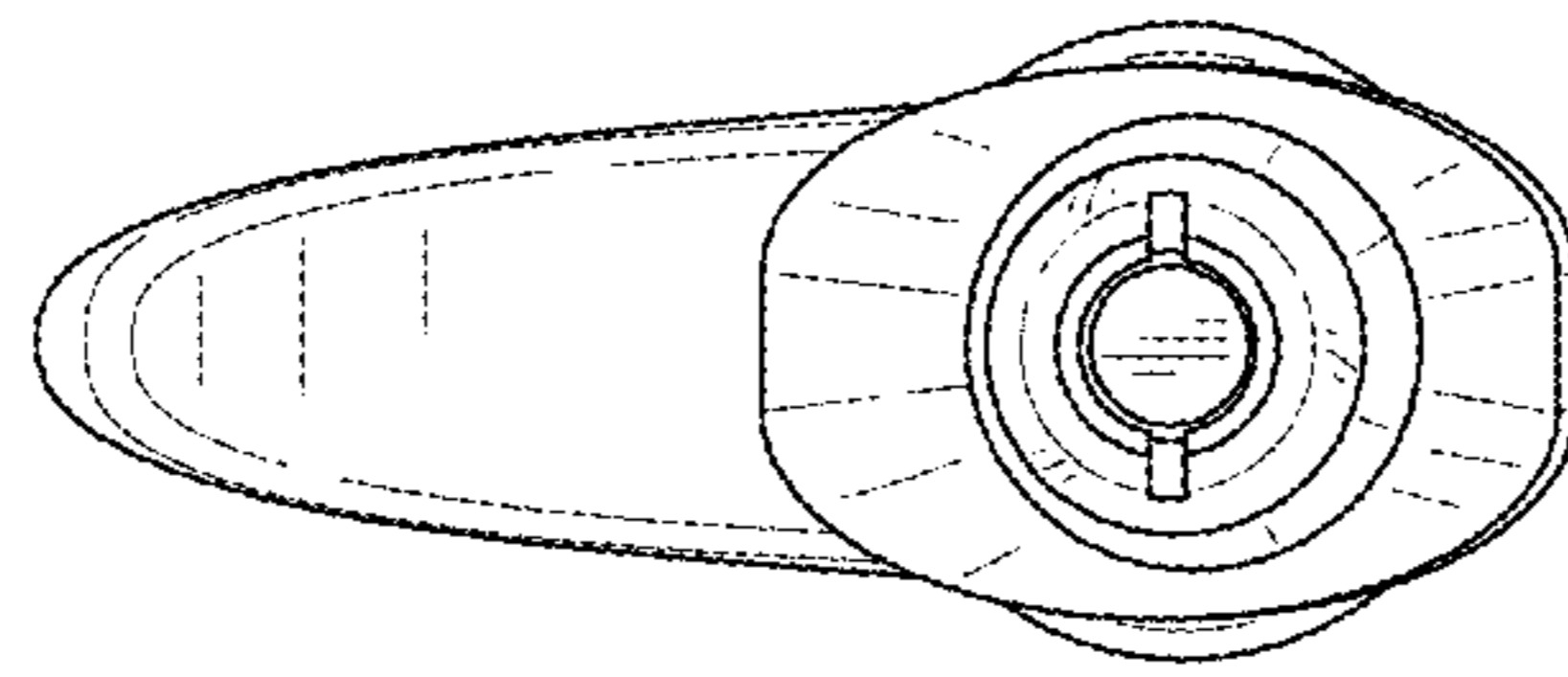


FIG. 8