



US00D982850S

(12) **United States Design Patent**
Wang et al.

(10) **Patent No.:** **US D982,850 S**
(45) **Date of Patent:** **** Apr. 4, 2023**

- (54) **TOY FOR ANIMALS**
- (71) Applicant: **Guangdong Vking Intelligent Technology Co., Ltd.**, Guangdong (CN)
- (72) Inventors: **Yungao Wang**, Guangdong (CN); **Yuejing Wang**, Guangdong (CN)
- (73) Assignee: **GUANGDONG VKING INTELLIGENT TECHNOLOGY CO., LTD.**, Dongguan (CN)
- (**) Term: **15 Years**
- (21) Appl. No.: **29/785,808**
- (22) Filed: **May 27, 2021**
- (51) **LOC (14) Cl.** **30-12**
- (52) **U.S. Cl.**
USPC **D30/160**
- (58) **Field of Classification Search**
USPC D30/160; D21/398, 662, 707, 708, 709, D21/712, 713, 714
CPC A01K 15/025; A01K 15/026; A63B 2208/14; A63B 37/0004; A63B 43/00; A63B 43/001; A63B 43/002; A63B 43/005; A63B 43/04; A63B 2039/003; A63B 2041/005; A63B 2208/12
See application file for complete search history.

- (56) **References Cited**
U.S. PATENT DOCUMENTS
1,436,028 A * 11/1922 Flemming A63B 37/00 473/569
D322,105 S * 12/1991 Ma A63B 37/00 D21/713
D420,915 S * 2/2000 Reidenbach D9/451
D626,189 S * 10/2010 Lin D21/713

D725,204 S * 3/2015 Rub A63H 5/00 D21/707
2018/0125034 A1* 5/2018 Lai H01H 35/144
2020/0267935 A1* 8/2020 Glaser A63H 5/00

FOREIGN PATENT DOCUMENTS

CN 305752952 * 5/2020

OTHER PUBLICATIONS

Jzxoiva Dog Squeaky Toy for Aggressive Chewers, posted Jul. 23, 2021 [online], [retrieved Dec. 21, 2022]. Retrieved from internet <https://www.amazon.com/dp/B09B38GX3B> (Year: 2021).*

Toys for Dog Rubber Unique Fruit Set Tomato, posting date unavailable [online], [retrieved Dec. 21, 2022]. Retrieved from internet <https://vkingrubber.en.made-in-china.com/product/NZjAIHCySkYr/China-Toys-for-Dog-Rubber-Unique-Fruit-Set-Tomato-Training-Interactive-Talking-Squeaky-Dog-Toys.html> (Year: 2022).*

* cited by examiner

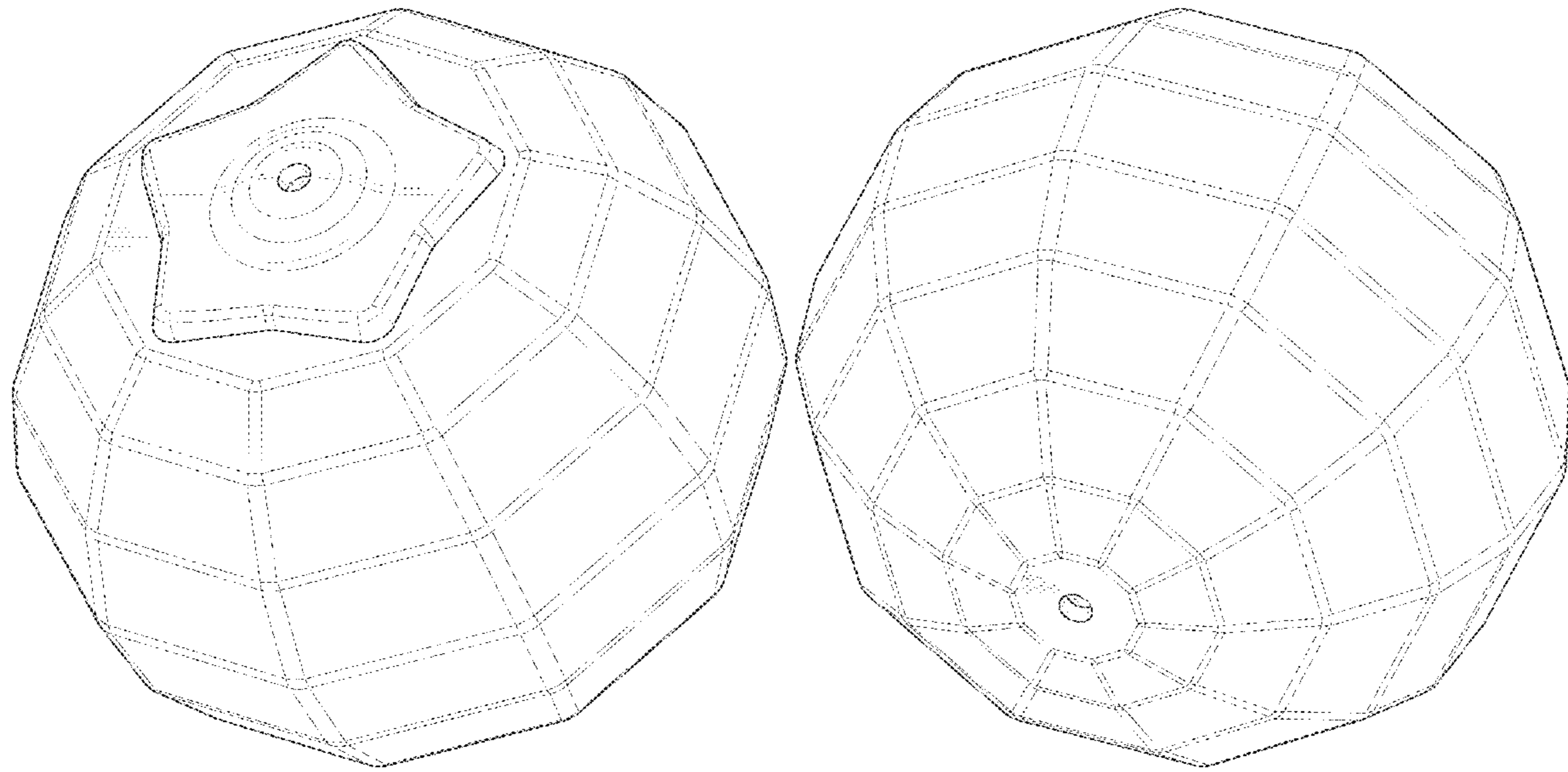
Primary Examiner — Sheryl Lane
Assistant Examiner — Emily A Caven
(74) *Attorney, Agent, or Firm* — Shimokaji IP

(57) **CLAIM**
The ornamental design for toy for animals, as shown and described.

DESCRIPTION

FIG. 1 is a front elevational view of toy for animals showing our design;
FIG. 2 is a rear elevational view thereof;
FIG. 3 is a left side elevational view thereof;
FIG. 4 is a right side elevational view thereof;
FIG. 5 is a top plan view thereof;
FIG. 6 is a bottom plan view thereof;
FIG. 7 is a first perspective view thereof; and,
FIG. 8 is a second perspective view thereof.

1 Claim, 8 Drawing Sheets



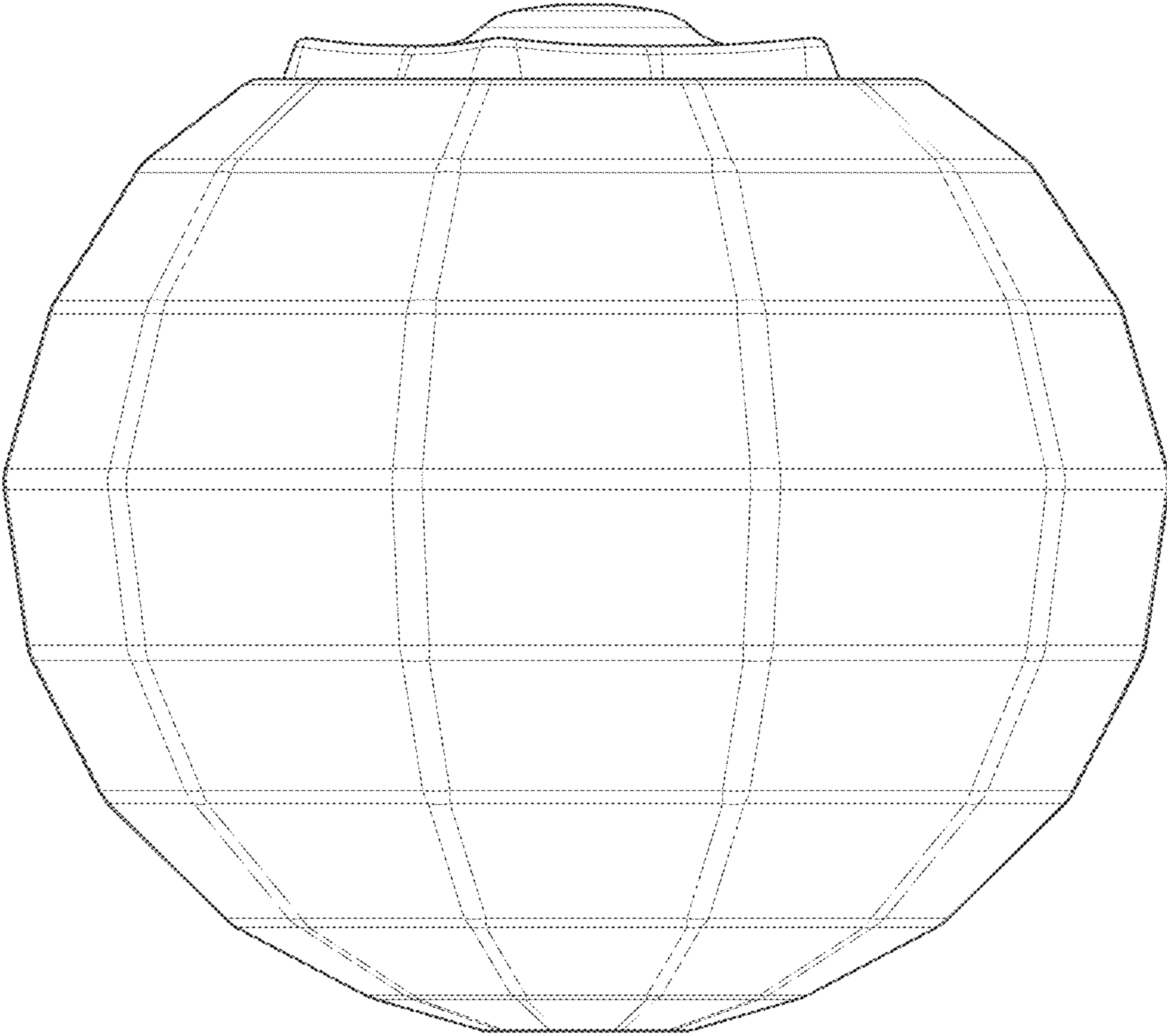


FIG. 1

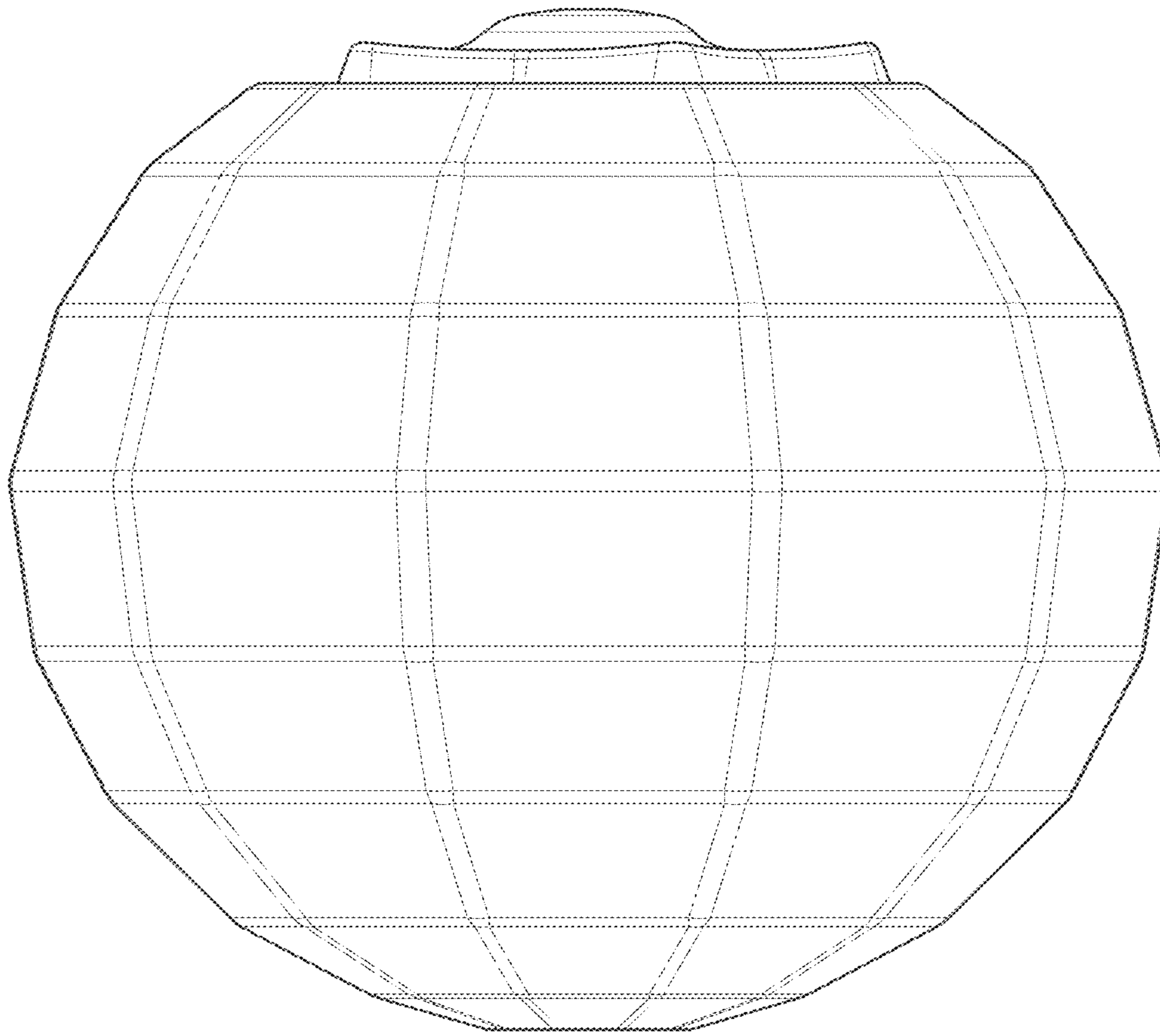


FIG. 2

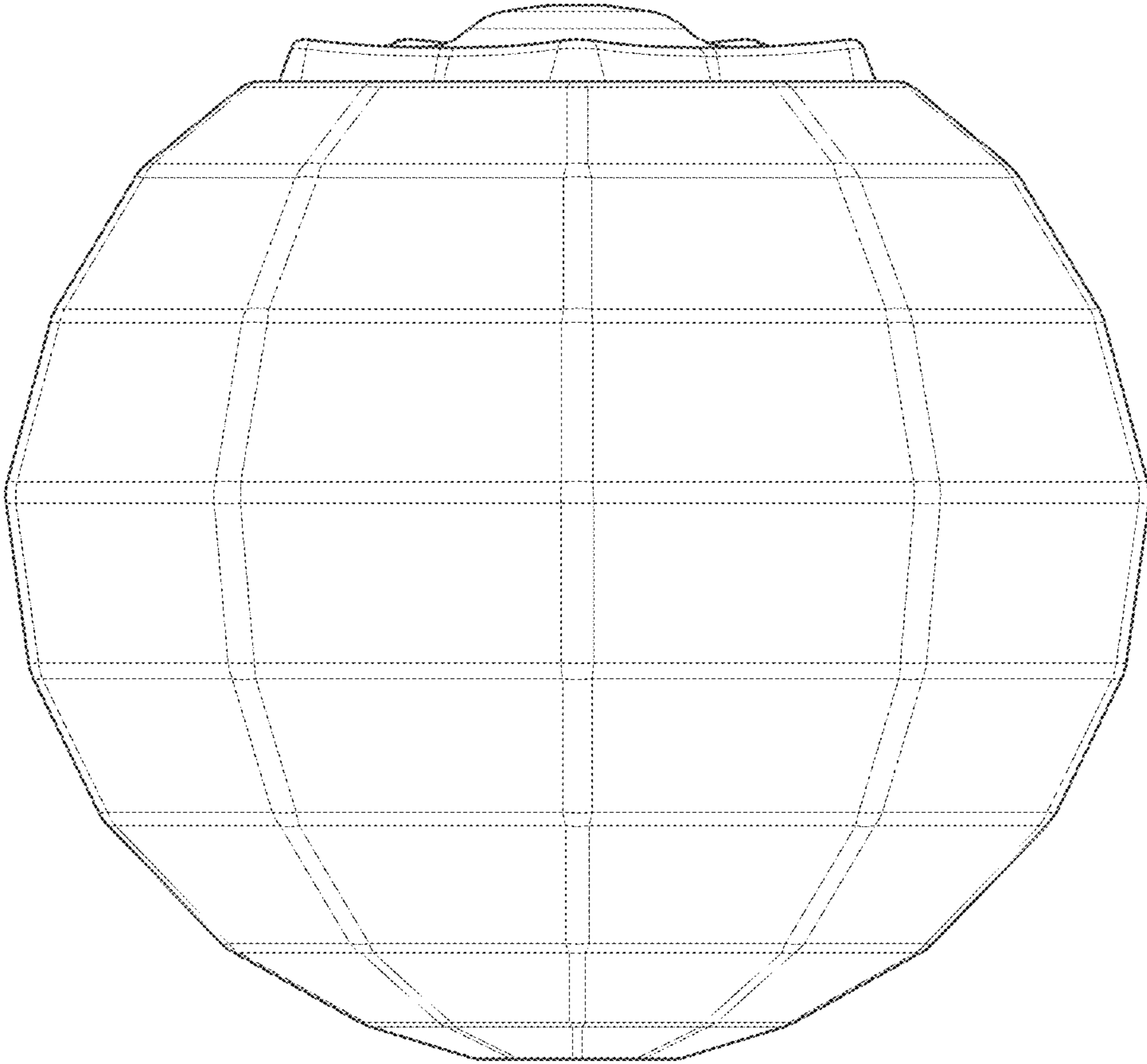


FIG. 3

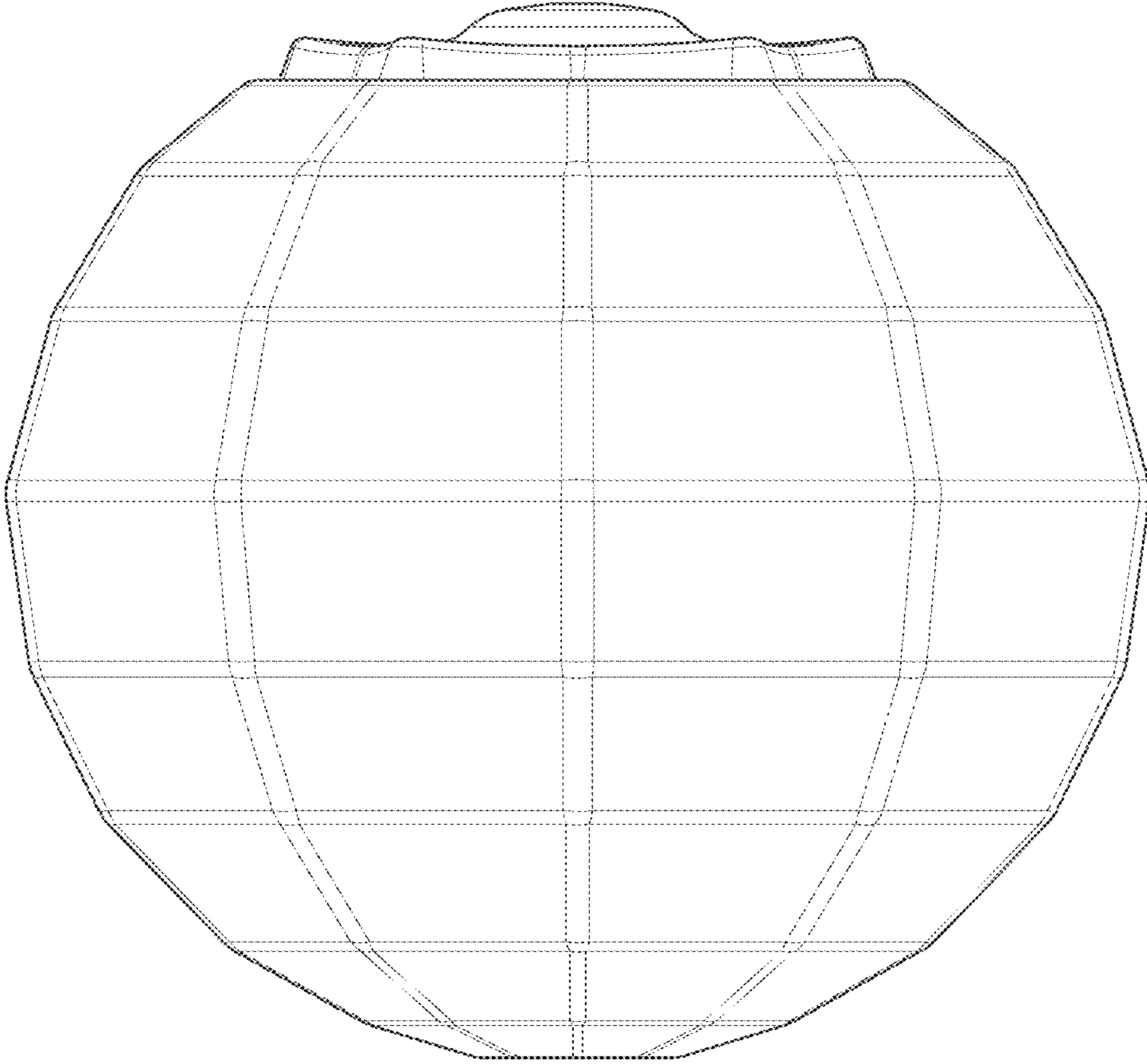


FIG.4

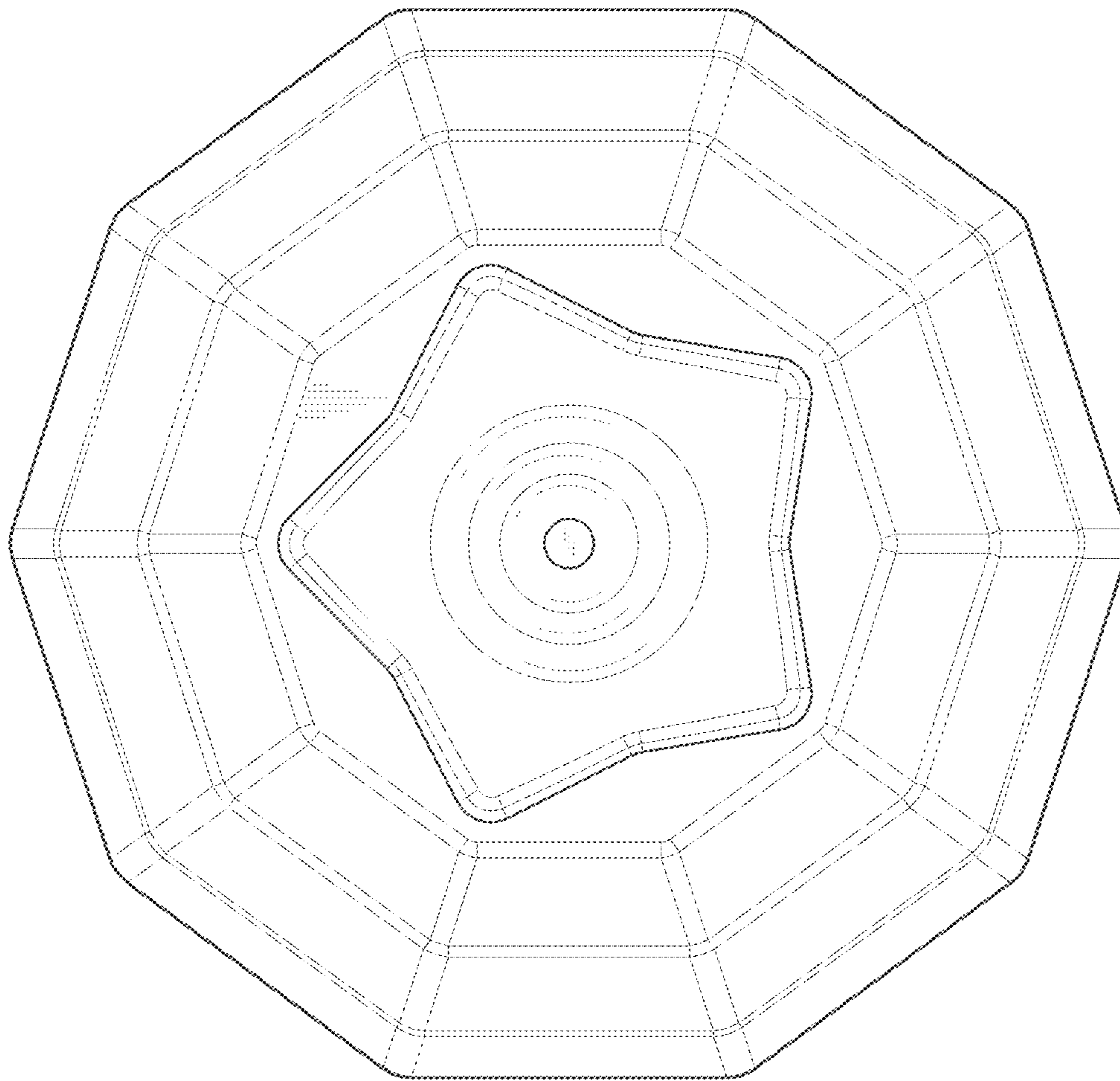


FIG.5

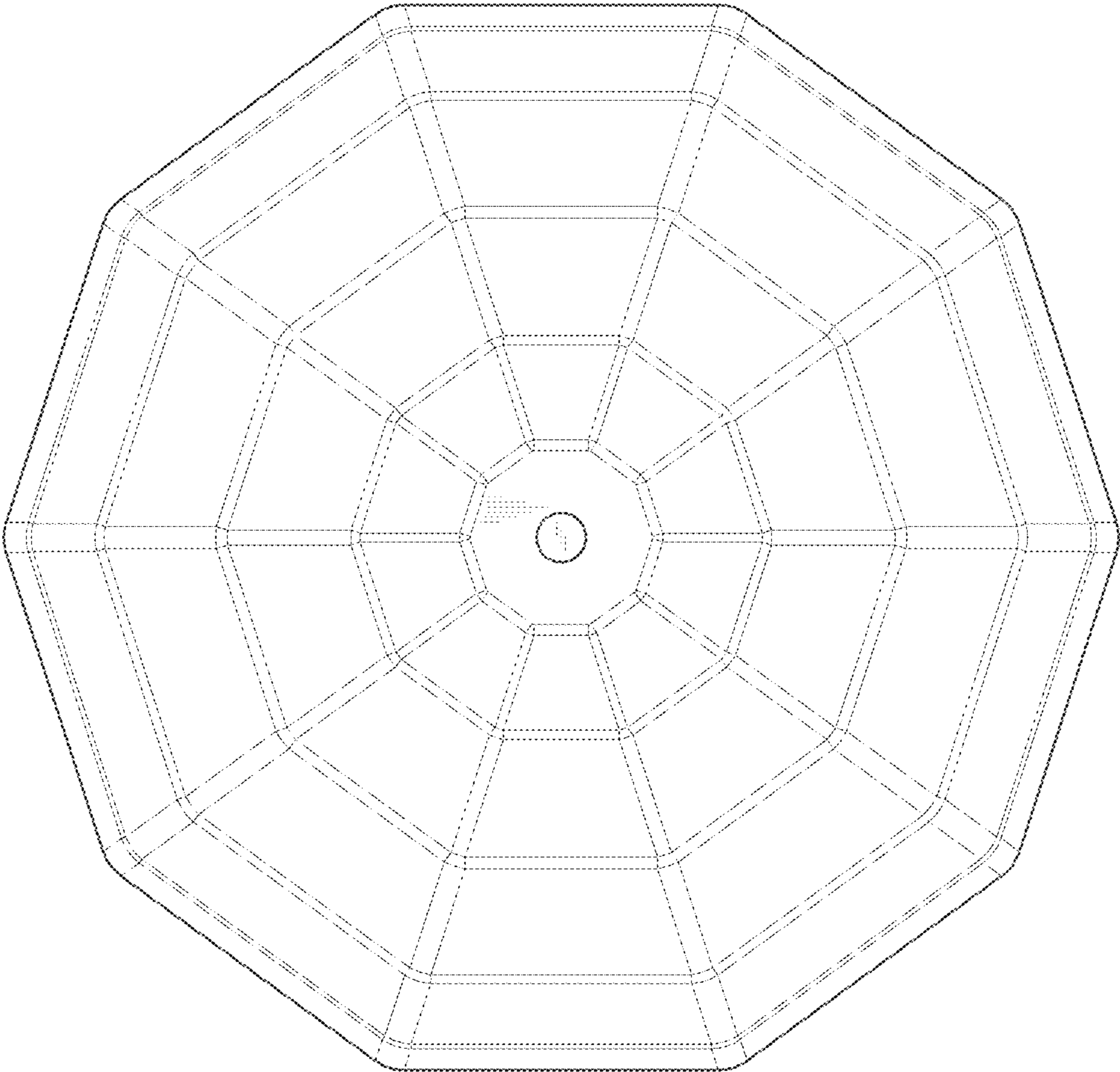


FIG.6

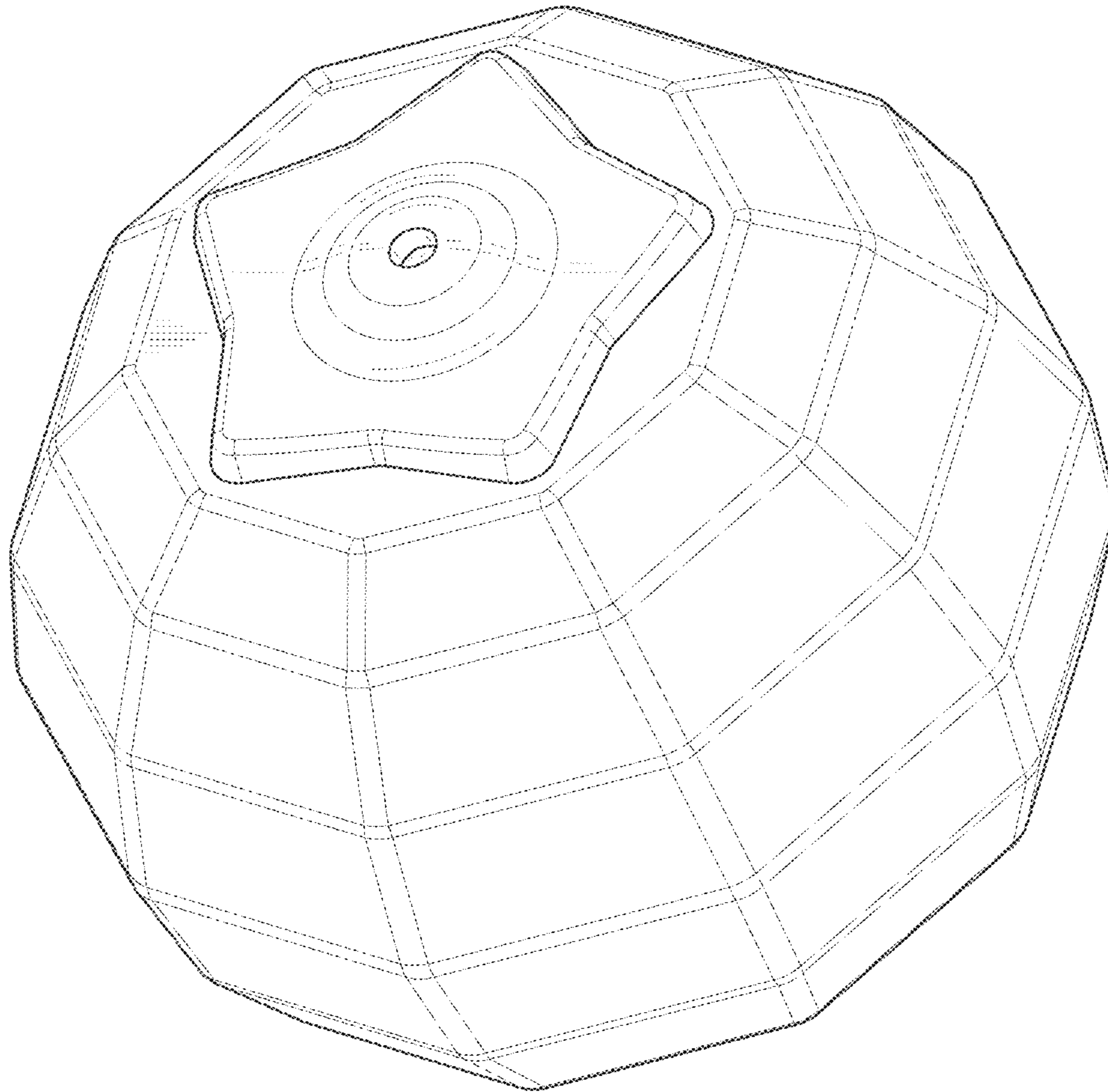


FIG.7

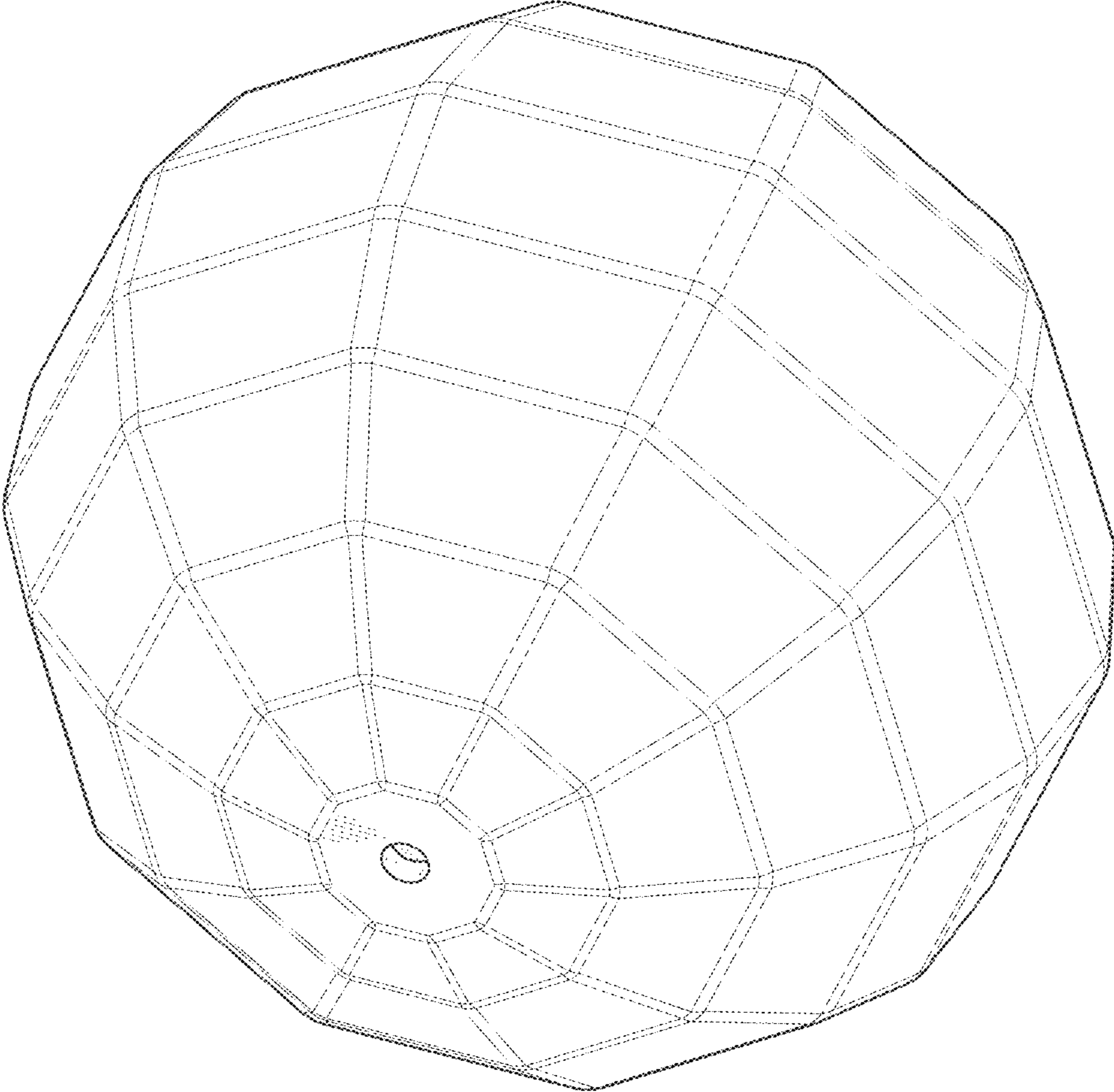


FIG.8