



US00D982847S

(12) **United States Design Patent** (10) **Patent No.:** **US D982,847 S**  
**Song** (45) **Date of Patent:** **\*\* Apr. 4, 2023**

(54) **CAT SCRATCHING POST**  
(71) Applicant: **Ziel Home Furnishing Technology Co., Ltd., Zhengzhou (CN)**  
(72) Inventor: **Chuan Song, Zhengzhou (CN)**  
(\*\*) Term: **15 Years**  
(21) Appl. No.: **29/772,632**  
(22) Filed: **Mar. 3, 2021**  
(51) **LOC (14) Cl.** ..... **30-99**  
(52) **U.S. Cl.**  
USPC ..... **D30/158**  
(58) **Field of Classification Search**  
USPC ..... D30/108, 118, 158, 160; D3/304;  
D21/698, 814, 826, 837, 838, 834;  
D4/137; D28/56-57, 59  
CPC ... A46B 2200/1093; B08B 1/00; B08B 1/005;  
A01K 15/024-027; A01K 15/02; A01K  
15/04  
See application file for complete search history.

D942,712 S \* 2/2022 Huang ..... D30/160  
2016/0360729 A1 \* 12/2016 Shi ..... A01K 15/024  
2019/0230896 A1 \* 8/2019 Goldman ..... A01K 1/035  
2021/0400915 A1 \* 12/2021 Monahan ..... A01K 15/027

**OTHER PUBLICATIONS**

[https://www.amazon.com/dp/B0876MJSHZ/ref=twister\\_B08CZY6F7K?\\_encoding=UTF8&psc=1](https://www.amazon.com/dp/B0876MJSHZ/ref=twister_B08CZY6F7K?_encoding=UTF8&psc=1); Apr. 16, 2020.  
[https://www.amazon.de/FEANDREA-Kratzbaum-PCT087W01/dp/B087723W3Q/ref=zg\\_bs\\_13357962031\\_38?\\_encoding=UTF8&psc=1&refRID=5RYSBANP0E2CMG9GA2CX](https://www.amazon.de/FEANDREA-Kratzbaum-PCT087W01/dp/B087723W3Q/ref=zg_bs_13357962031_38?_encoding=UTF8&psc=1&refRID=5RYSBANP0E2CMG9GA2CX); Apr. 16, 2020.  
[https://www.amazon.fr/FEANDREA-Kratzbaum-PCT087W01/dp/B087723W3Q/ref=zg\\_bs\\_13357962031\\_38?\\_encoding=UTF8&psc=1&refRID=5RYSBANP0E2CMG9GA2CX](https://www.amazon.fr/FEANDREA-Kratzbaum-PCT087W01/dp/B087723W3Q/ref=zg_bs_13357962031_38?_encoding=UTF8&psc=1&refRID=5RYSBANP0E2CMG9GA2CX); Apr. 17, 2020.  
[https://www.amazon.co.uk/FEANDREA-Kratzbaum-PCT087W01/dp/B087723W3Q/ref=zg\\_bs\\_13357962031\\_38?\\_encoding=UTF8&psc=1&refRID=5RYSBANP0E2CMG9GA2CX](https://www.amazon.co.uk/FEANDREA-Kratzbaum-PCT087W01/dp/B087723W3Q/ref=zg_bs_13357962031_38?_encoding=UTF8&psc=1&refRID=5RYSBANP0E2CMG9GA2CX); Apr. 17, 2020.  
[https://www.amazon.es/FEANDREA-Kratzbaum-PCT087W01/dp/B087723W3Q/ref=zg\\_bs\\_13357962031\\_38?\\_encoding=UTF8&psc=1&refRID=5RYSBANP0E2CMG9GA2CX](https://www.amazon.es/FEANDREA-Kratzbaum-PCT087W01/dp/B087723W3Q/ref=zg_bs_13357962031_38?_encoding=UTF8&psc=1&refRID=5RYSBANP0E2CMG9GA2CX); Jul. 20, 2020.

(Continued)

*Primary Examiner* — Aula Soroush  
(74) *Attorney, Agent, or Firm* — Rumit Ranjit Kanakia

(57) **CLAIM**

The ornamental design for a cat scratching post, as shown and described.

**DESCRIPTION**

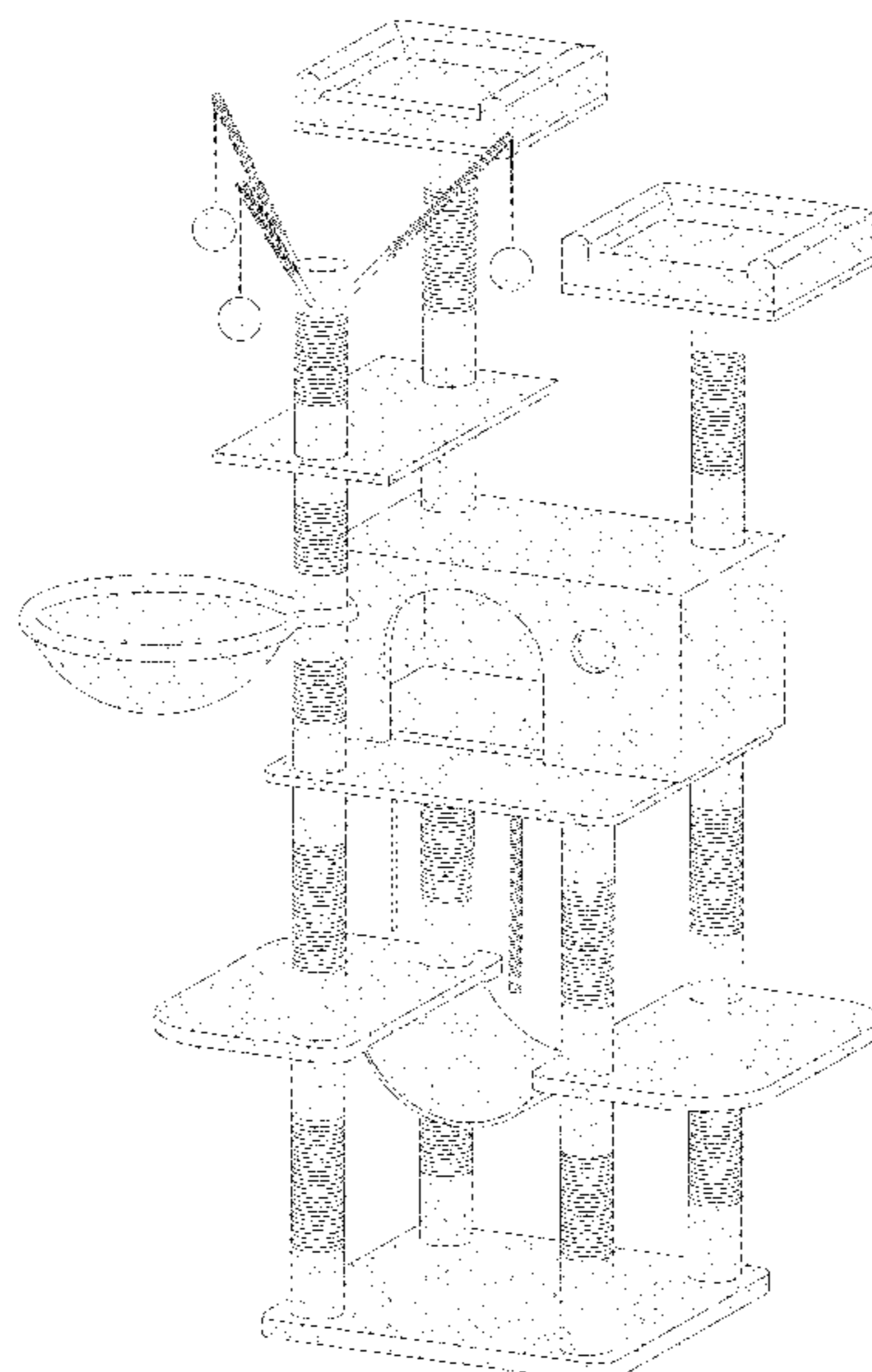
FIG. 1 is a perspective view of a cat scratching post showing my new design;  
FIG. 2 is a front view thereof;  
FIG. 3 is a rear view thereof;  
FIG. 4 is a right-side view thereof;  
FIG. 5 is a left-side view thereof;  
FIG. 6 is a top view thereof; and,  
FIG. 7 is bottom view thereof.  
The broken lines in the drawings depict portions of the cat scratching post that form no part of the claimed design.

**1 Claim, 7 Drawing Sheets**

(56) **References Cited**

**U.S. PATENT DOCUMENTS**

D257,293 S \* 10/1980 Michalski ..... D30/158  
D261,186 S \* 10/1981 Michalski ..... D30/158  
D774,707 S \* 12/2016 Kellogg ..... D30/160  
D846,206 S \* 4/2019 He ..... D30/160  
D846,818 S \* 4/2019 He ..... D30/160  
D883,585 S \* 5/2020 Song ..... D30/160  
D883,586 S \* 5/2020 Song ..... D30/160  
D885,691 S \* 5/2020 Song ..... D30/160  
D886,398 S \* 6/2020 Song ..... D30/160  
D891,712 S \* 7/2020 He ..... D30/160  
D920,599 S \* 5/2021 Guo ..... D30/160  
D920,600 S \* 5/2021 Guo ..... D30/160  
D928,427 S \* 8/2021 Guo ..... D30/160  
D928,428 S \* 8/2021 Guo ..... D30/160  
D941,535 S \* 1/2022 Guo ..... D30/160  
D942,093 S \* 1/2022 Huang ..... D30/160



(56)

**References Cited**

OTHER PUBLICATIONS

[https://www.amazon.it/FEANDREA-Kratzbaum-PCT087W01/dp/B087723W3Q/ref=zg\\_bs\\_13357962031\\_38?\\_encoding=UTF8&refRID=5RYSBANP0E2CMG9GA2CX&th=1](https://www.amazon.it/FEANDREA-Kratzbaum-PCT087W01/dp/B087723W3Q/ref=zg_bs_13357962031_38?_encoding=UTF8&refRID=5RYSBANP0E2CMG9GA2CX&th=1); Apr. 17, 2020.  
[https://www.amazon.co.jp/dp/B08762ZBQF?ref=ast\\_sto\\_dp](https://www.amazon.co.jp/dp/B08762ZBQF?ref=ast_sto_dp); Jun. 3, 2020.

\* cited by examiner

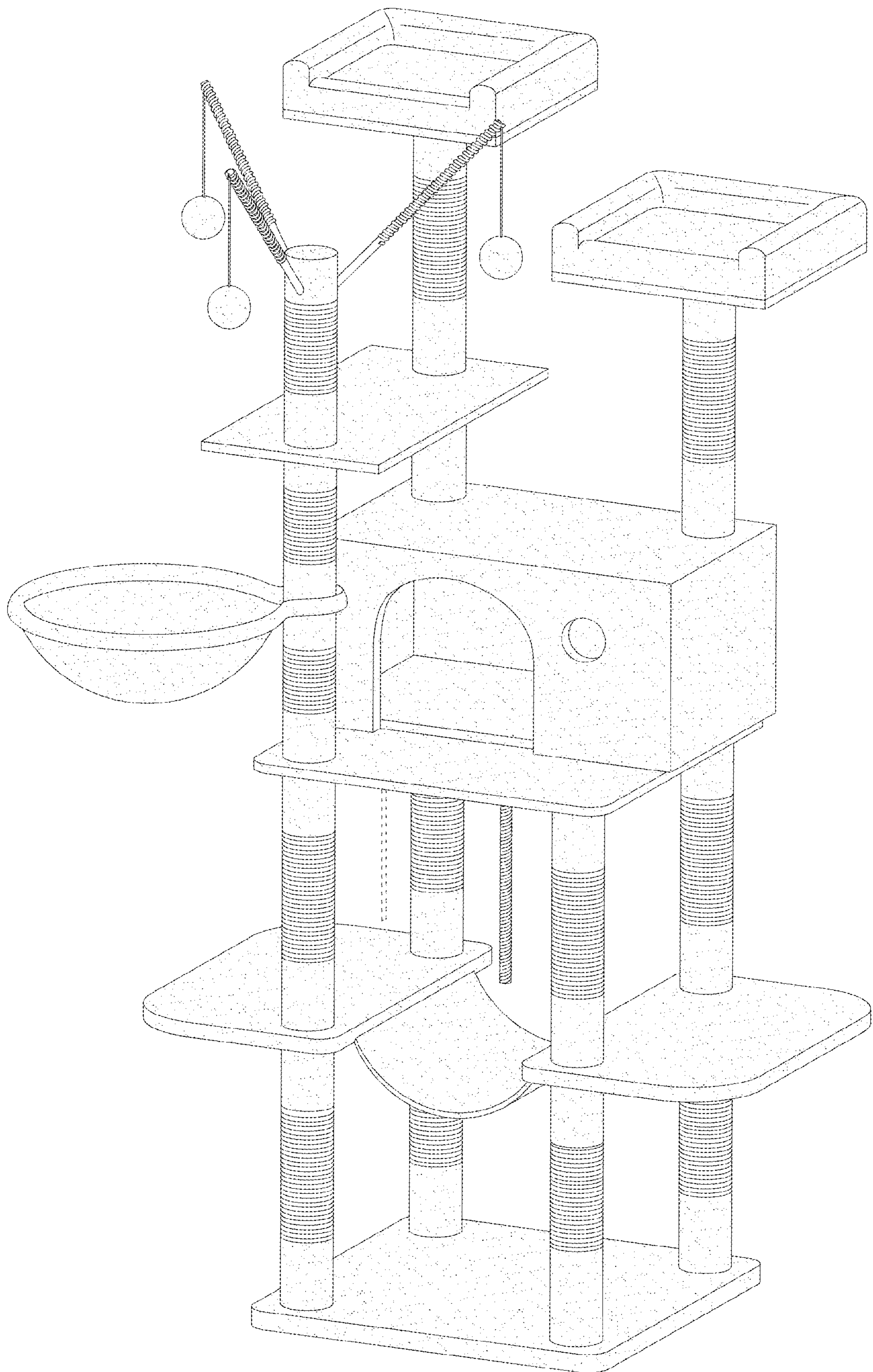


FIG. 1



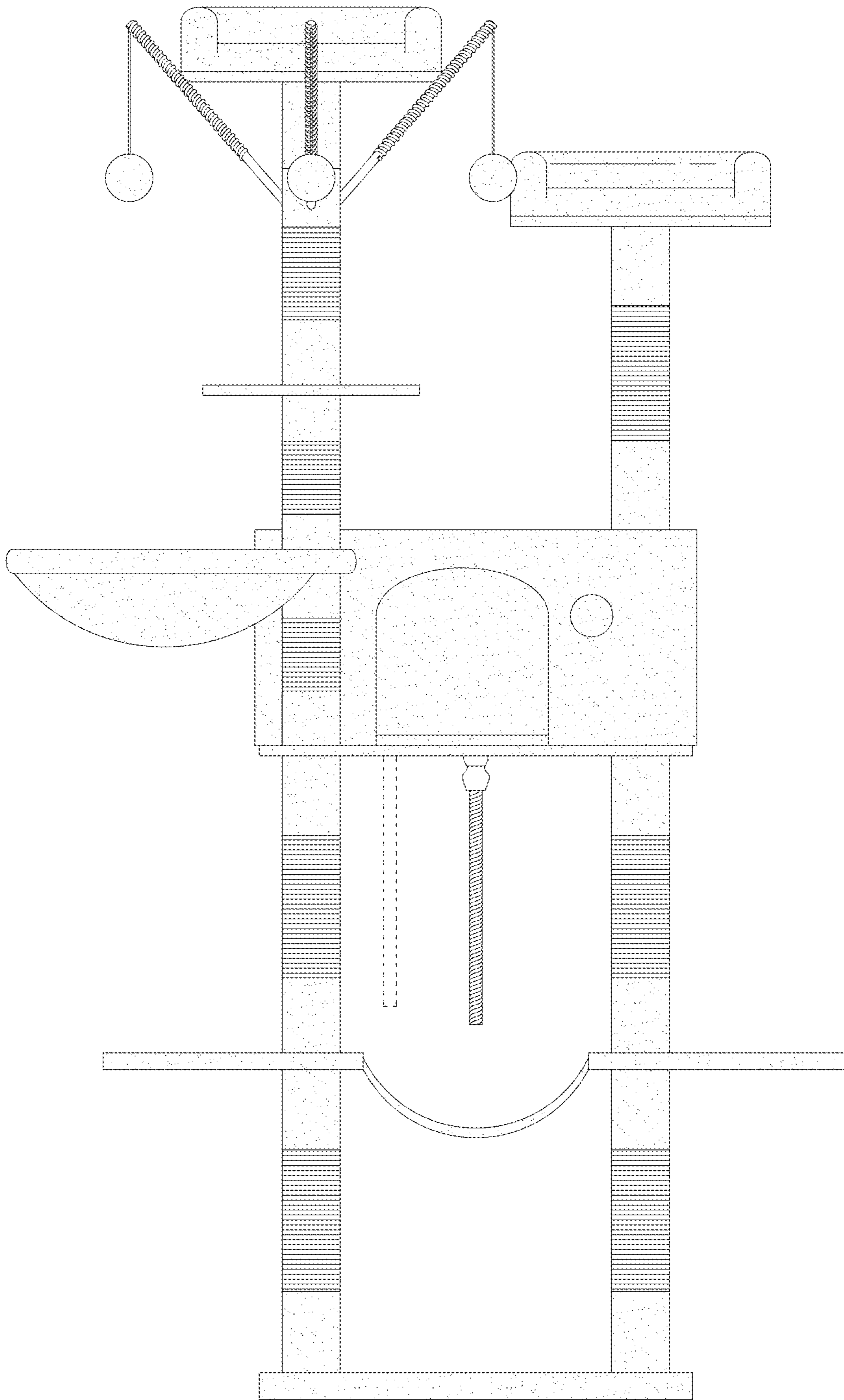


FIG. 2

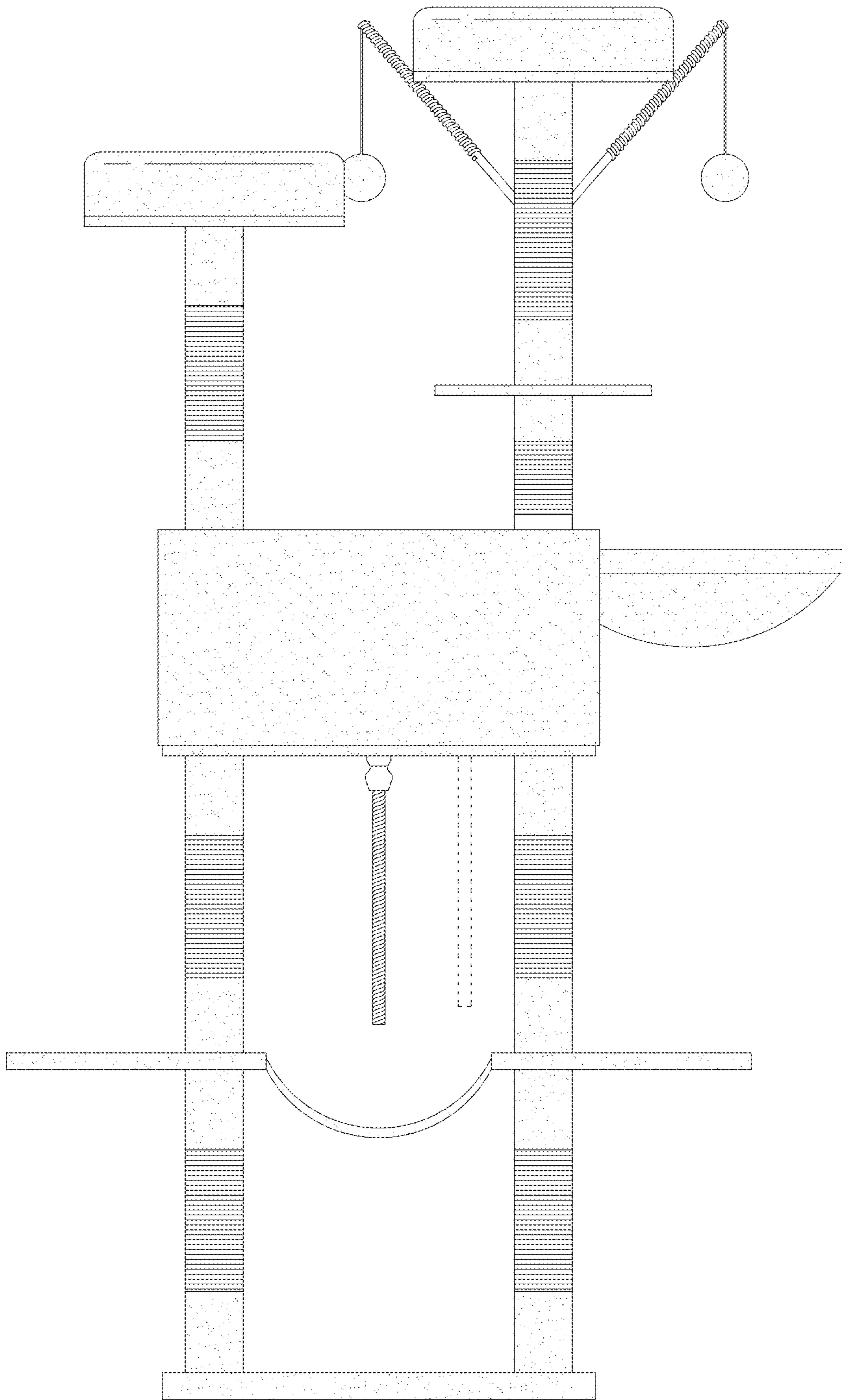


FIG. 3

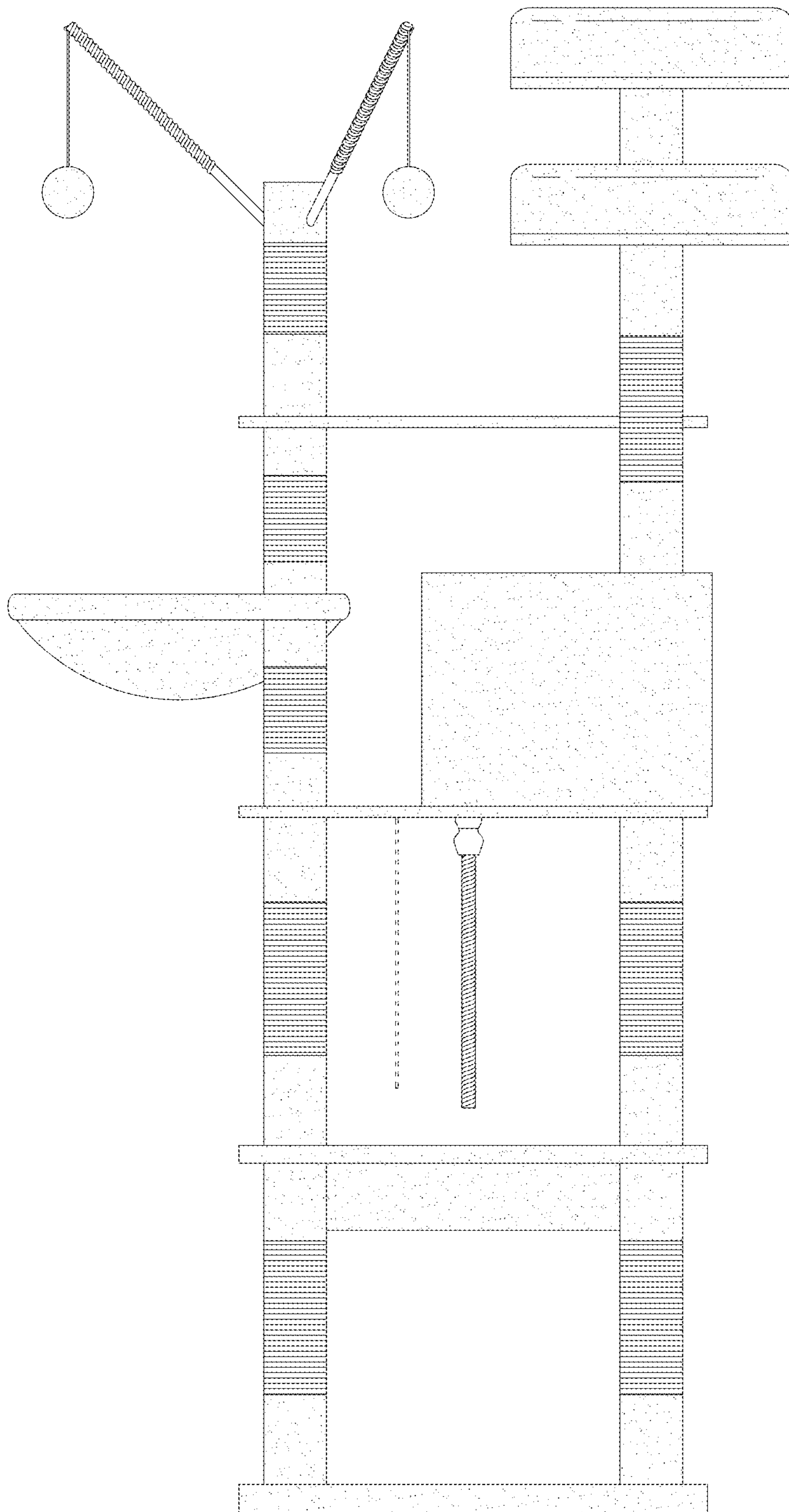


FIG. 4

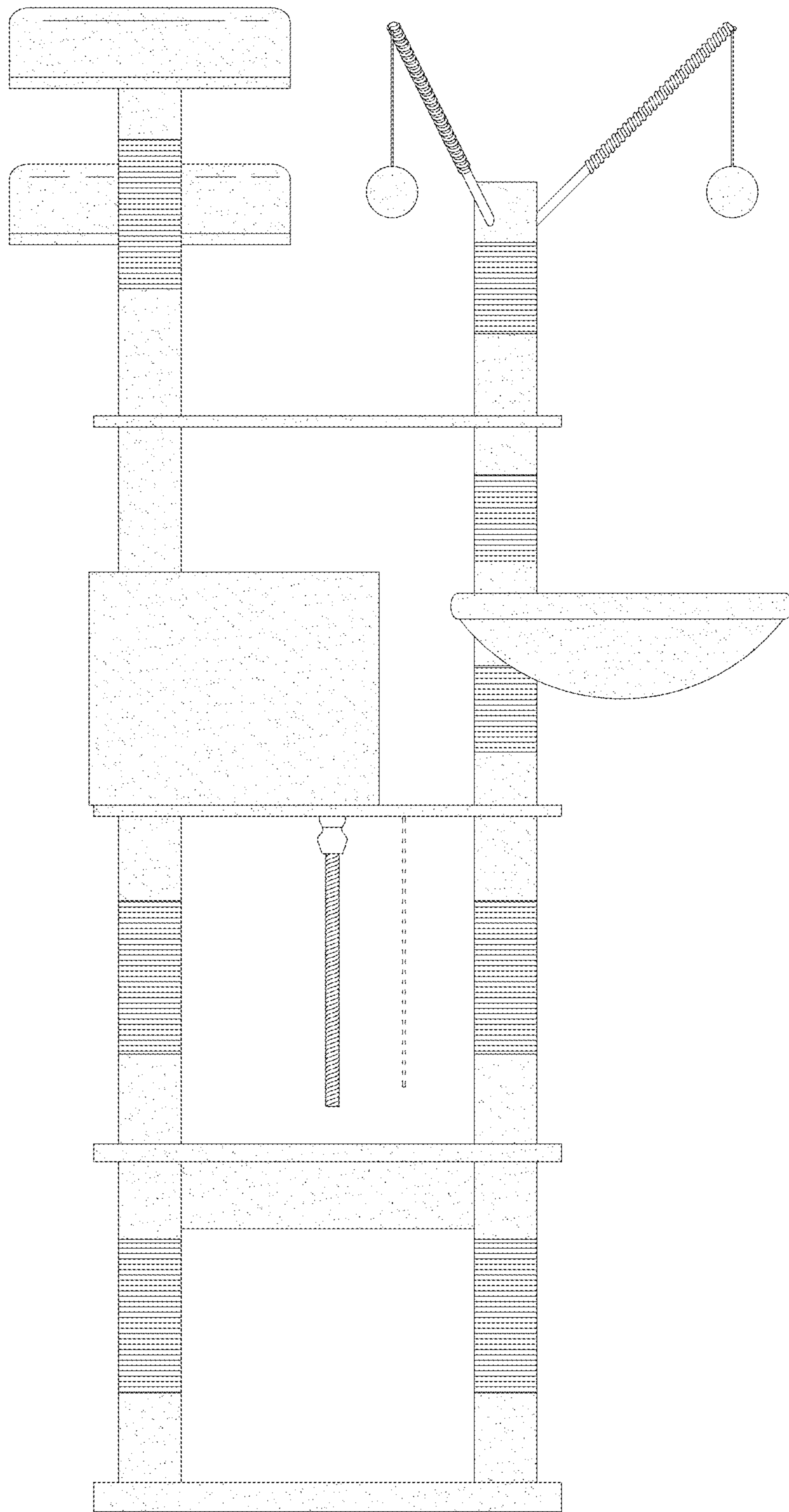


FIG. 5

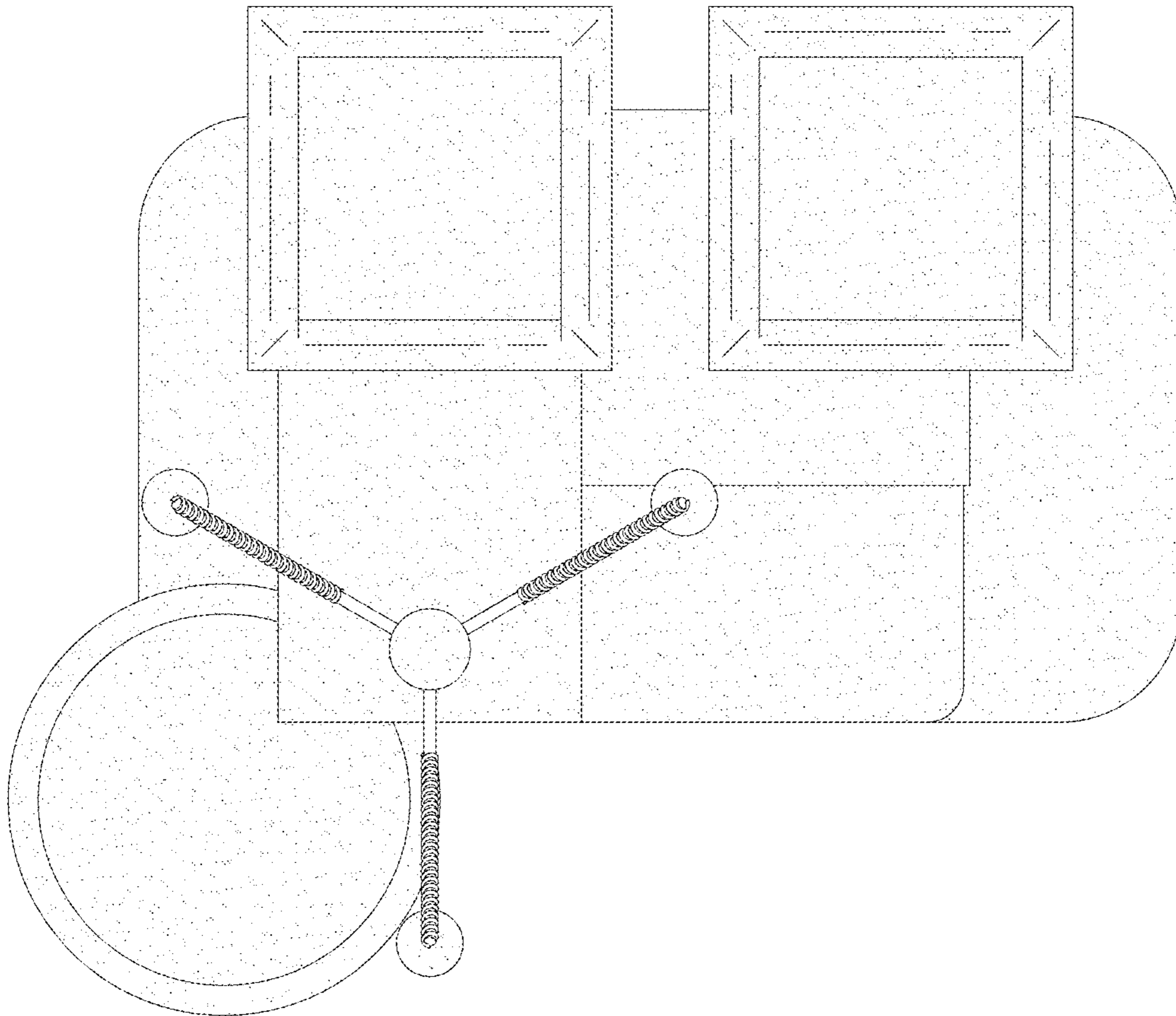


FIG. 6



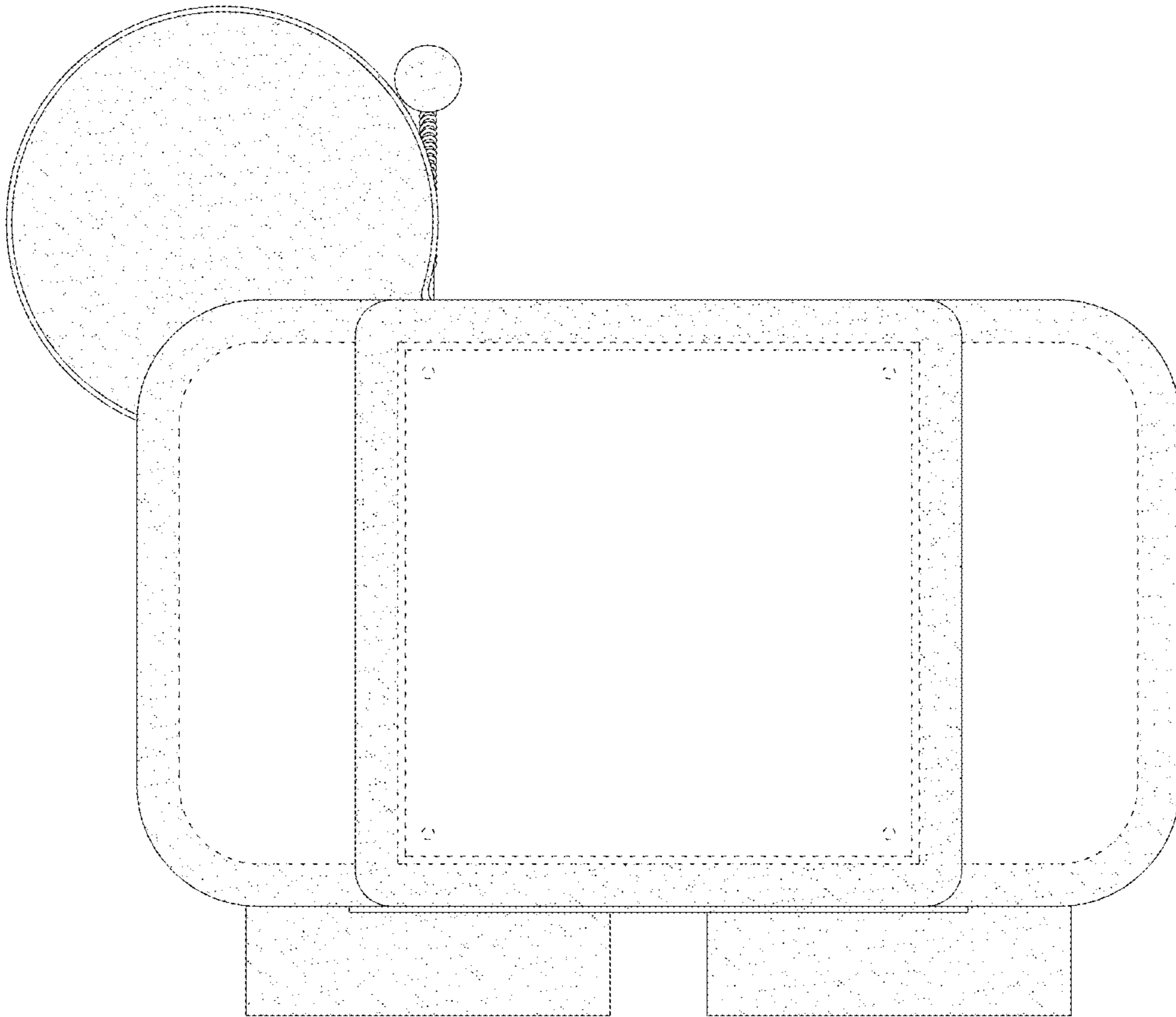


FIG. 7