



US00D982846S

(12) **United States Design Patent** (10) **Patent No.:** **US D982,846 S**
Luo (45) **Date of Patent:** **** Apr. 4, 2023**

(54) **RECEIVER FOR DOG TRAINING COLLAR**

FOREIGN PATENT DOCUMENTS

(71) Applicant: **Jing Luo**, Shaoyang (CN)

CN 305600044 * 2/2020
CN 306198843 * 11/2020

(72) Inventor: **Jing Luo**, Shaoyang (CN)

(**) Term: **15 Years**

OTHER PUBLICATIONS

(21) Appl. No.: **29/797,063**

DogRook Rechargeable Dog Bark Collar, available in Amazon.com, date first available May 5, 2017 [online], [site visited Oct. 28, 2022], Available from the internet URL: <https://www.amazon.ca/DogRook-Rechargeable-Dog-Bark-Collar/dp/B072DS462V> (Year: 2017).*

(22) Filed: **Jun. 29, 2021**

HVRSTVILL Advanced Bark Collar, available in Amazon.co.uk, date first available Mar. 1, 2020 [online], [site visited Oct. 28, 2022], Available from the internet URL: <https://www.amazon.co.uk/HVRSTVILL-Advanced-Collar-Medium-Barking/dp/B0823DQGWC> (Year: 2020).*

(51) **LOC (14) Cl.** **30-04**

(52) **U.S. Cl.**
USPC **D30/152**

(58) **Field of Classification Search**
USPC D10/104.1, 106.1; D14/155, 188, 191,
D14/192, 344; D30/152, 199
CPC .. A01K 15/021; A01K 15/022; A01K 15/023;
A01K 27/009

See application file for complete search history.

* cited by examiner

Primary Examiner — Vy N Koenig

Assistant Examiner — Elizabeth Anne Glassberg

(56) **References Cited**

U.S. PATENT DOCUMENTS

D478,830 S *	8/2003	So	D30/152
D526,590 S *	8/2006	So	D10/104.1
D657,098 S *	4/2012	So	D30/152
D683,915 S *	6/2013	So	D30/152
D798,003 S *	9/2017	Dong	D30/199
D822,921 S *	7/2018	Wen	D30/199
D822,922 S *	7/2018	Wen	D30/152
D861,259 S *	9/2019	Dong	D30/152
D870,399 S *	12/2019	Van Curen	D30/152
D890,456 S *	7/2020	Dai	D30/199
D898,613 S *	10/2020	Stapleton	D11/216
D926,396 S *	7/2021	Jia	D10/104.1
D938,668 S *	12/2021	Jia	D10/104.1
D945,090 S *	3/2022	Dai	D10/104.1
D950,170 S *	4/2022	Li	D10/104.1
D953,667 S *	5/2022	Li	D30/152
D965,926 S *	10/2022	Mo	D10/104.1
D966,633 S *	10/2022	Jia	D10/104.1
2005/0145197 A1 *	7/2005	Crist	A01K 15/022 119/718
2018/0153138 A1 *	6/2018	Goetzl	A01K 15/029

(57) **CLAIM**

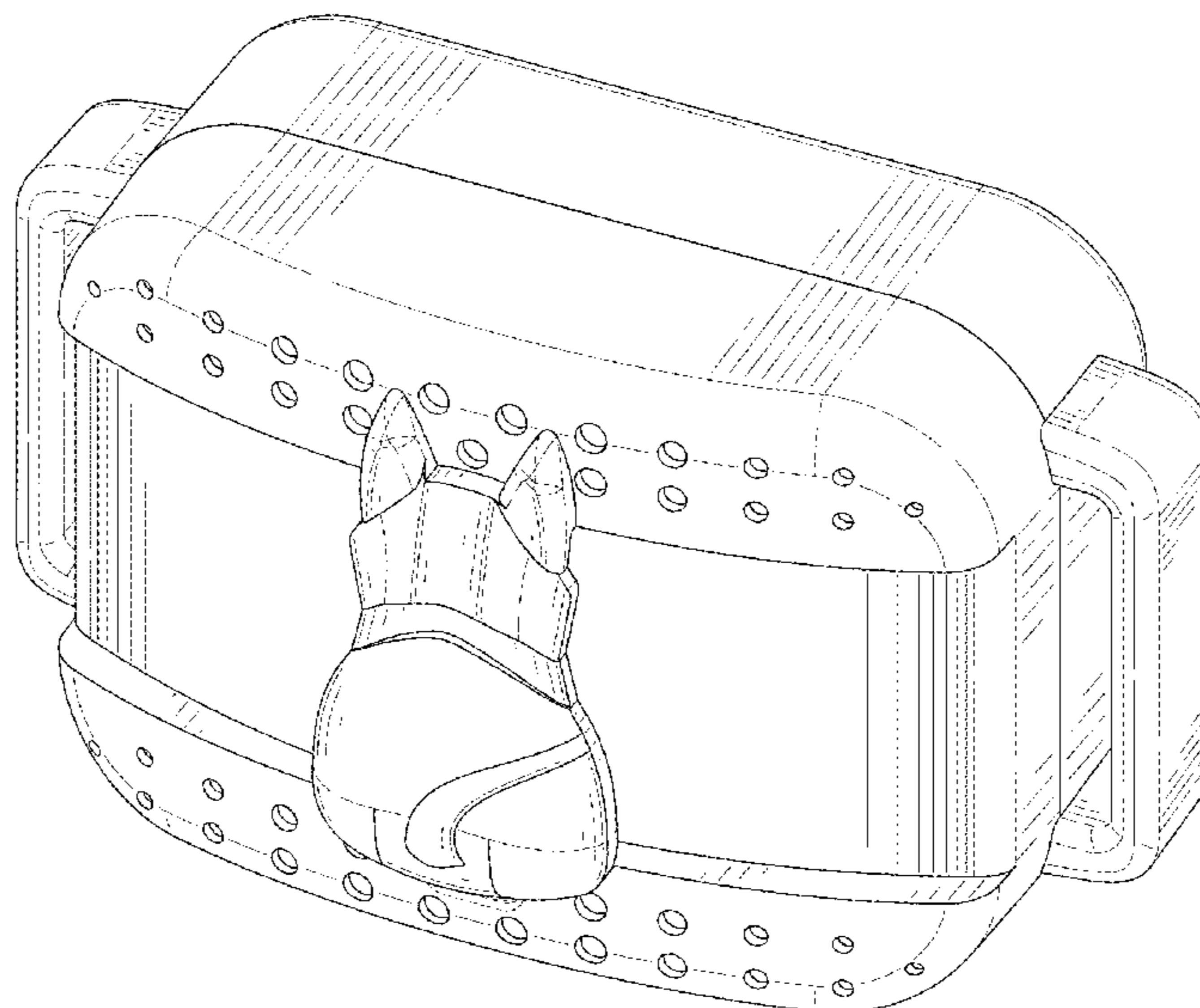
The ornamental design for a receiver for dog training collar, as shown and described.

DESCRIPTION

FIG. 1 is a perspective view of a receiver for dog training collar showing my new design;
FIG. 2 is another perspective view thereof;
FIG. 3 is a front elevational view thereof;
FIG. 4 is a rear elevational view thereof;
FIG. 5 is a left side elevational view thereof;
FIG. 6 is a right side elevational view thereof;
FIG. 7 is a top plan view thereof; and,
FIG. 8 is a bottom plan view thereof.

The broken lines in the drawings depict portions of the receiver for dog training collar that form no part of the claimed design.

1 Claim, 8 Drawing Sheets



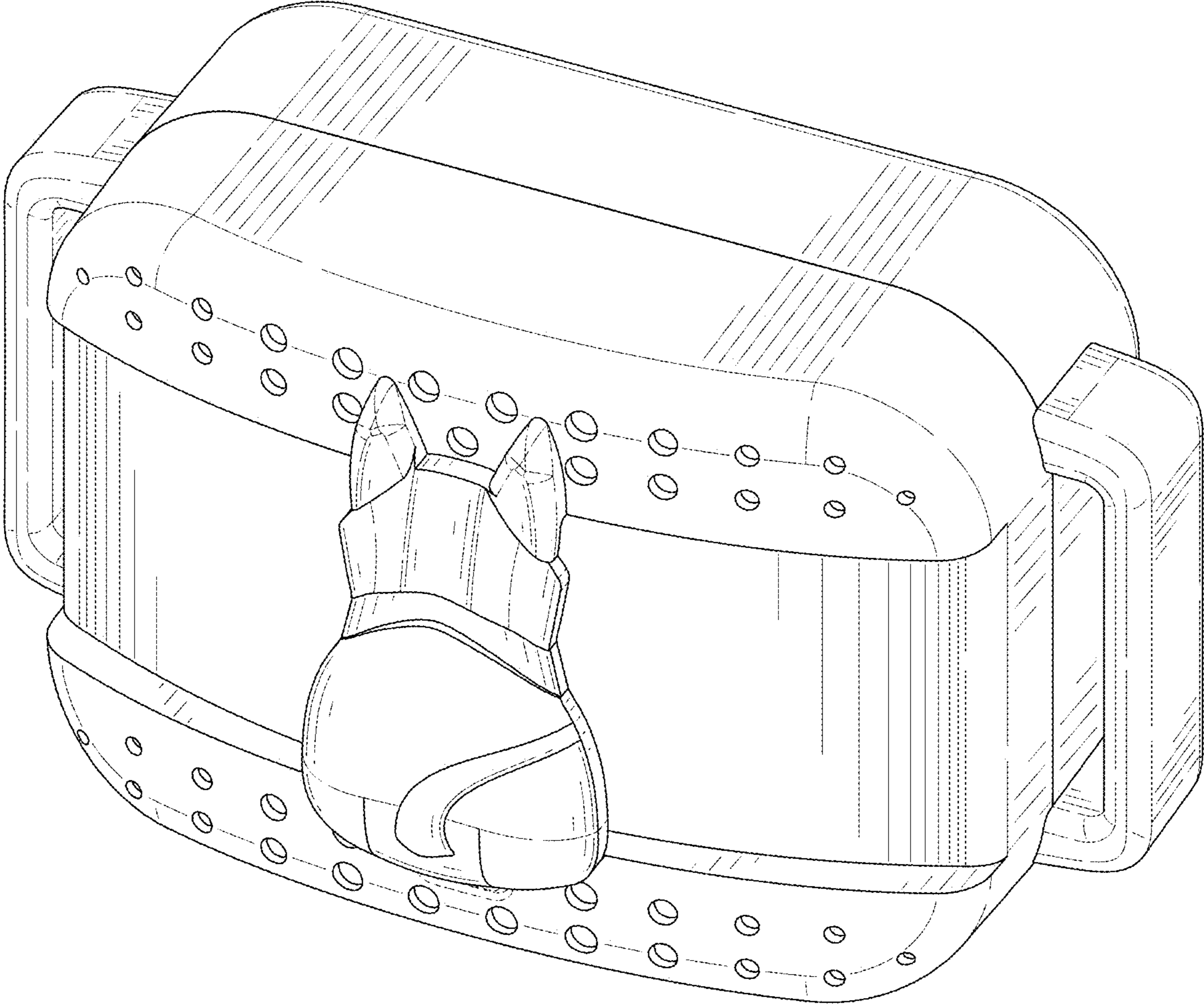


FIG. 1

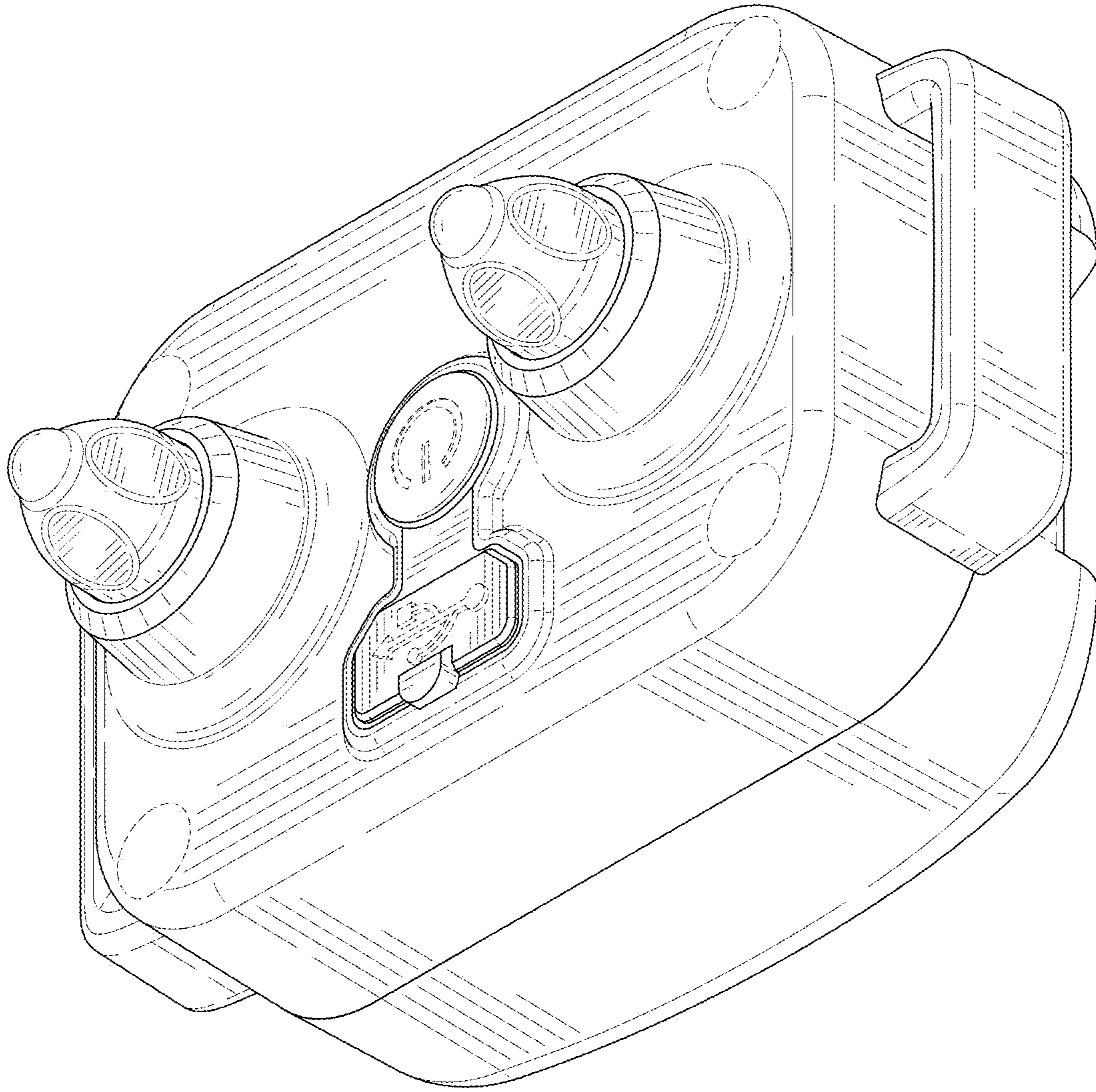


FIG. 2

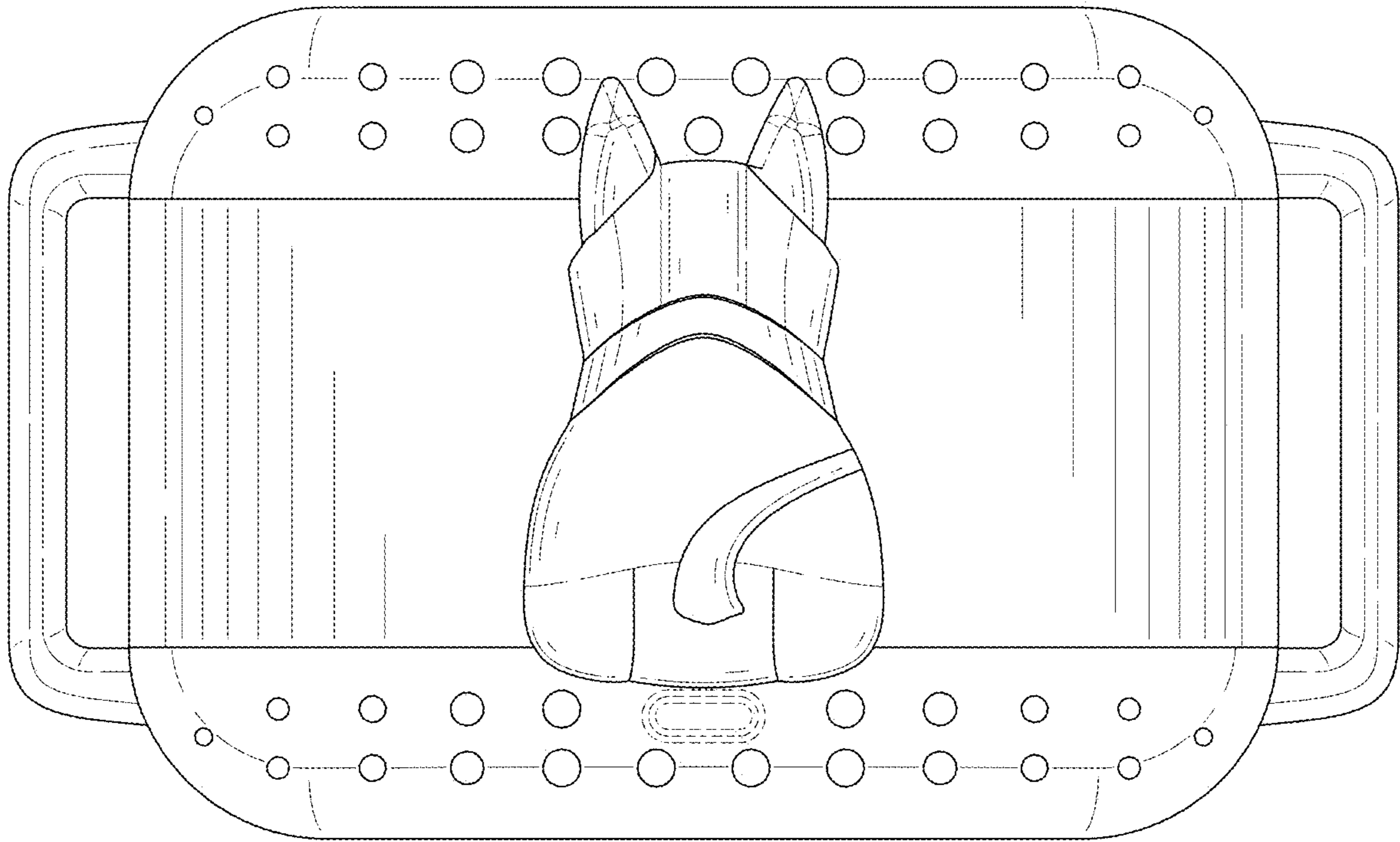


FIG. 3

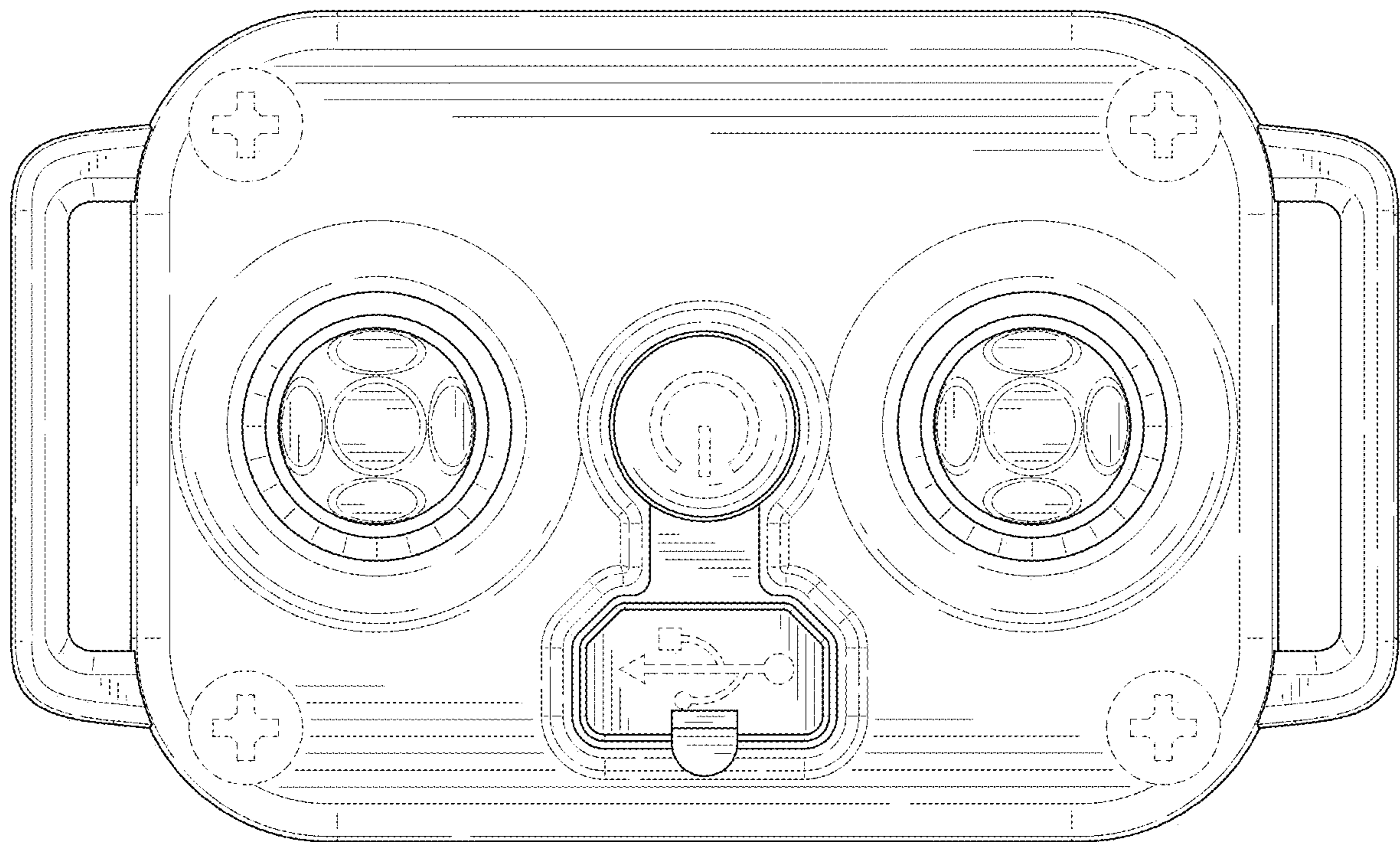


FIG. 4

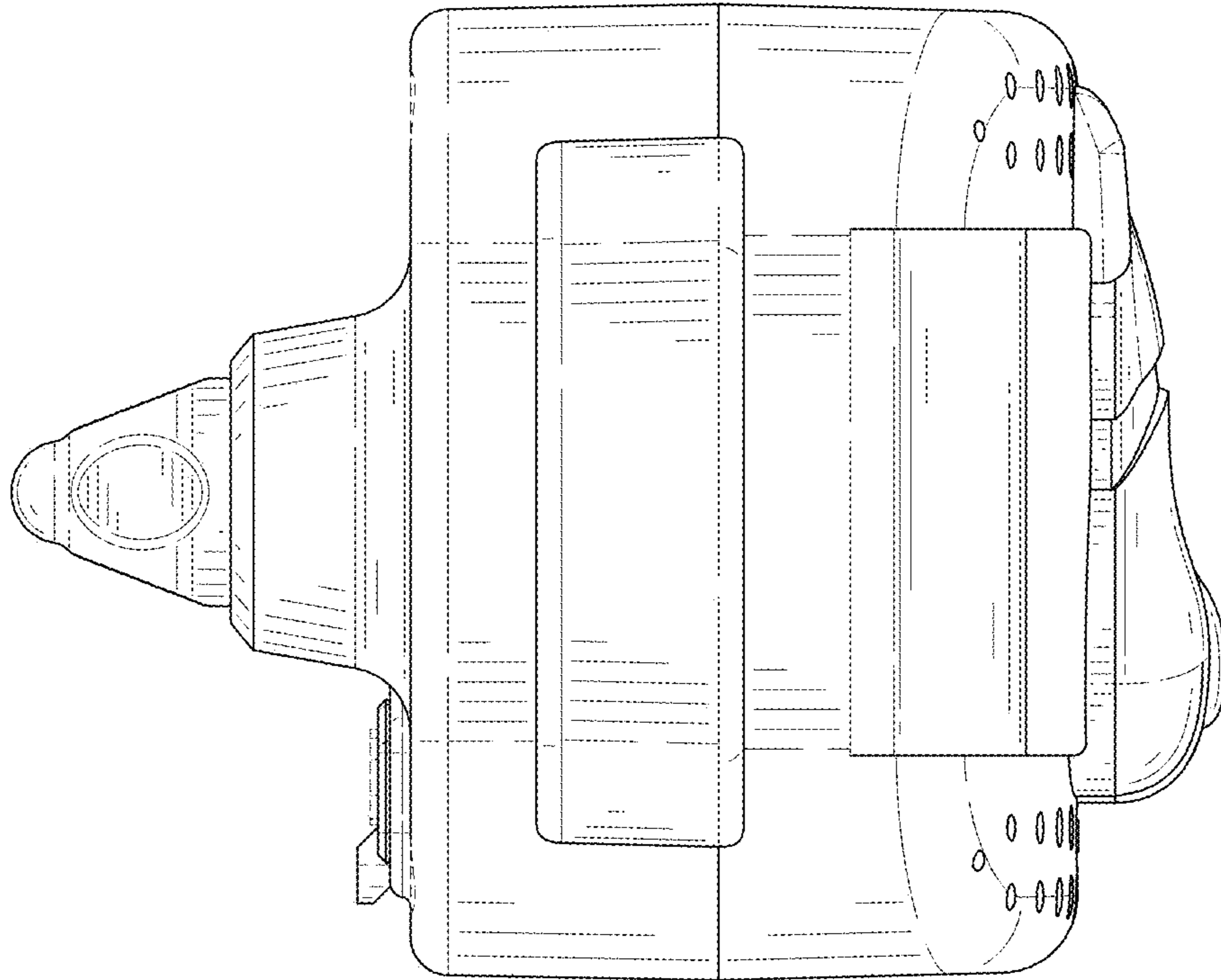


FIG. 5

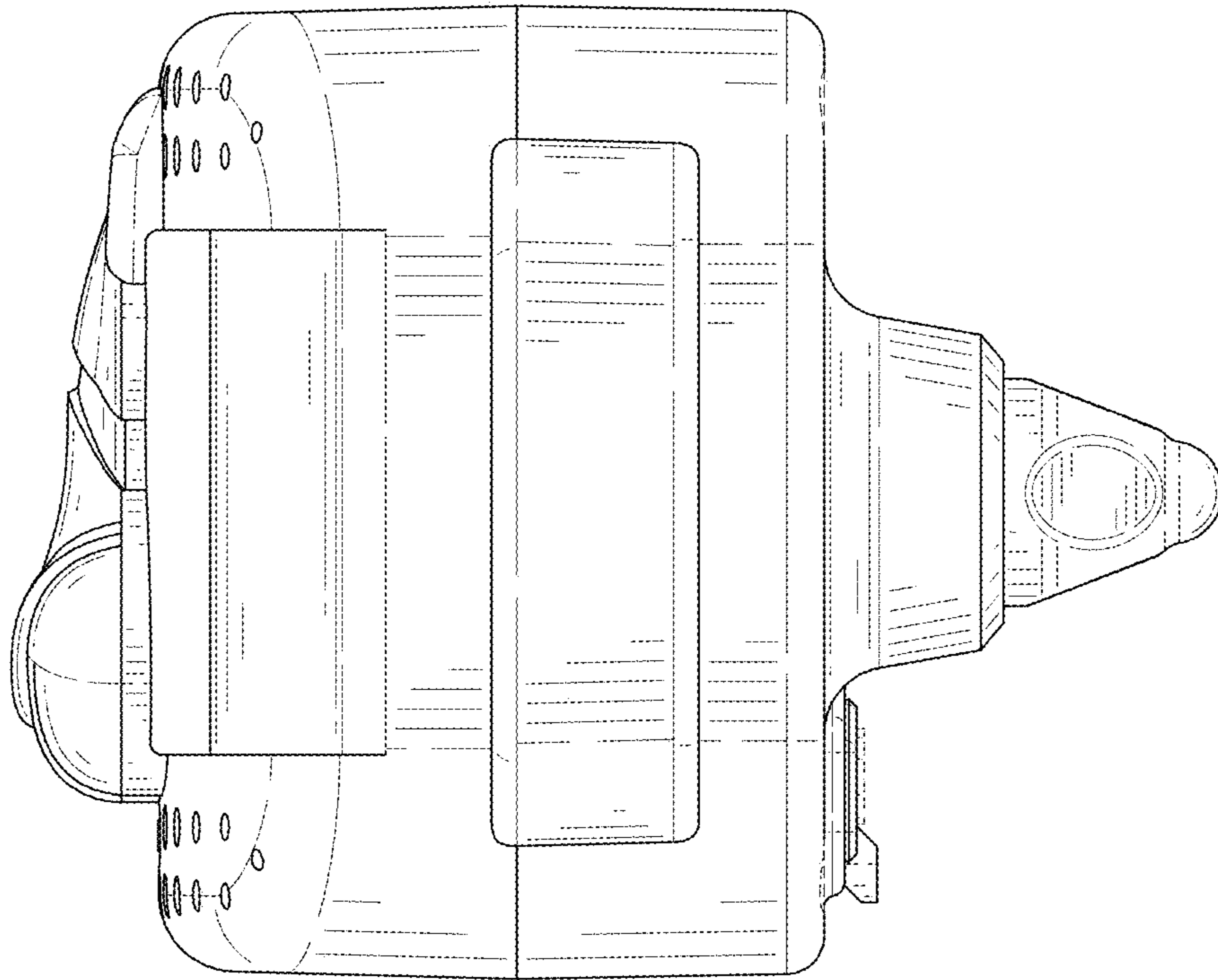


FIG. 6

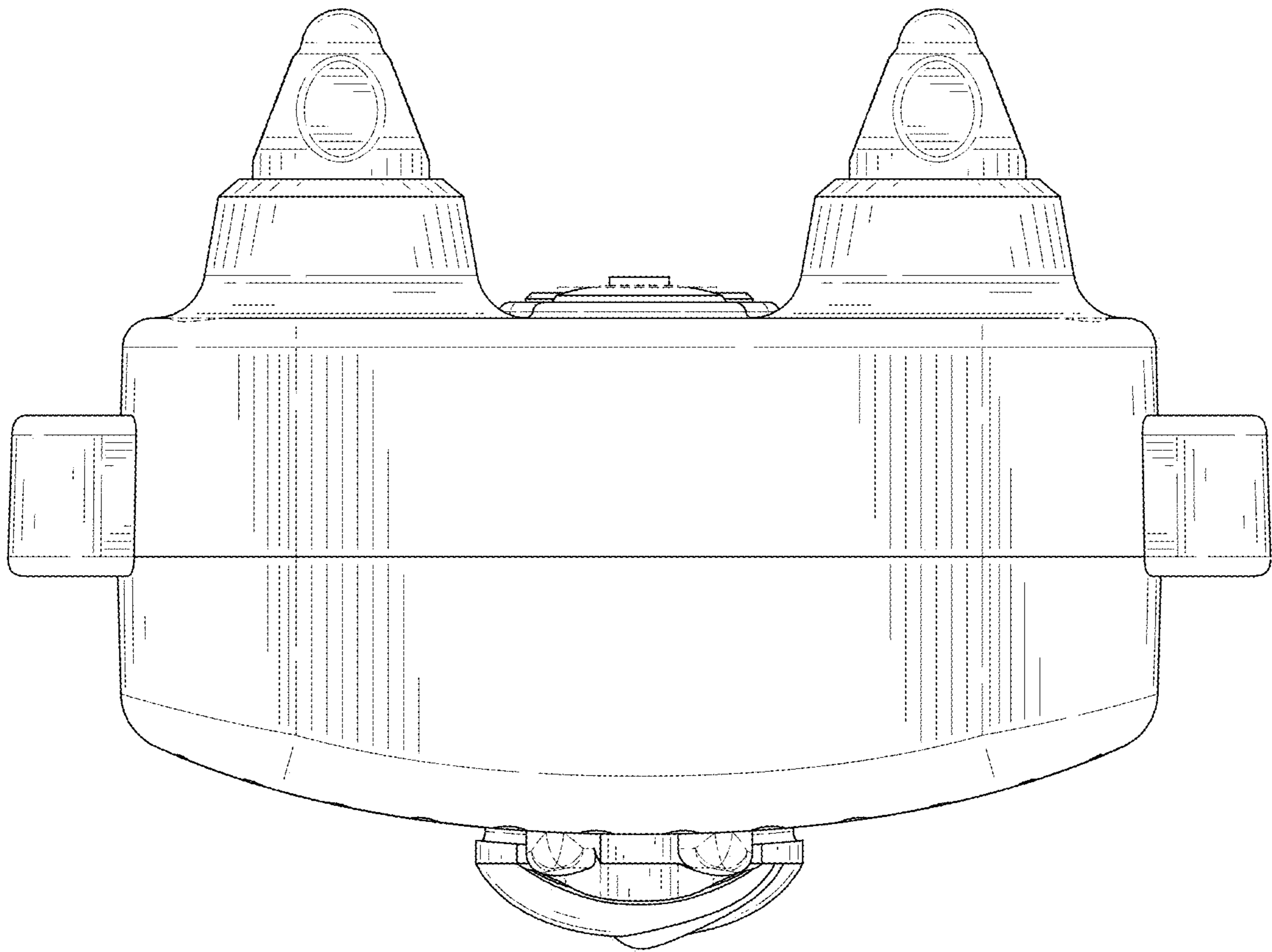


FIG. 7

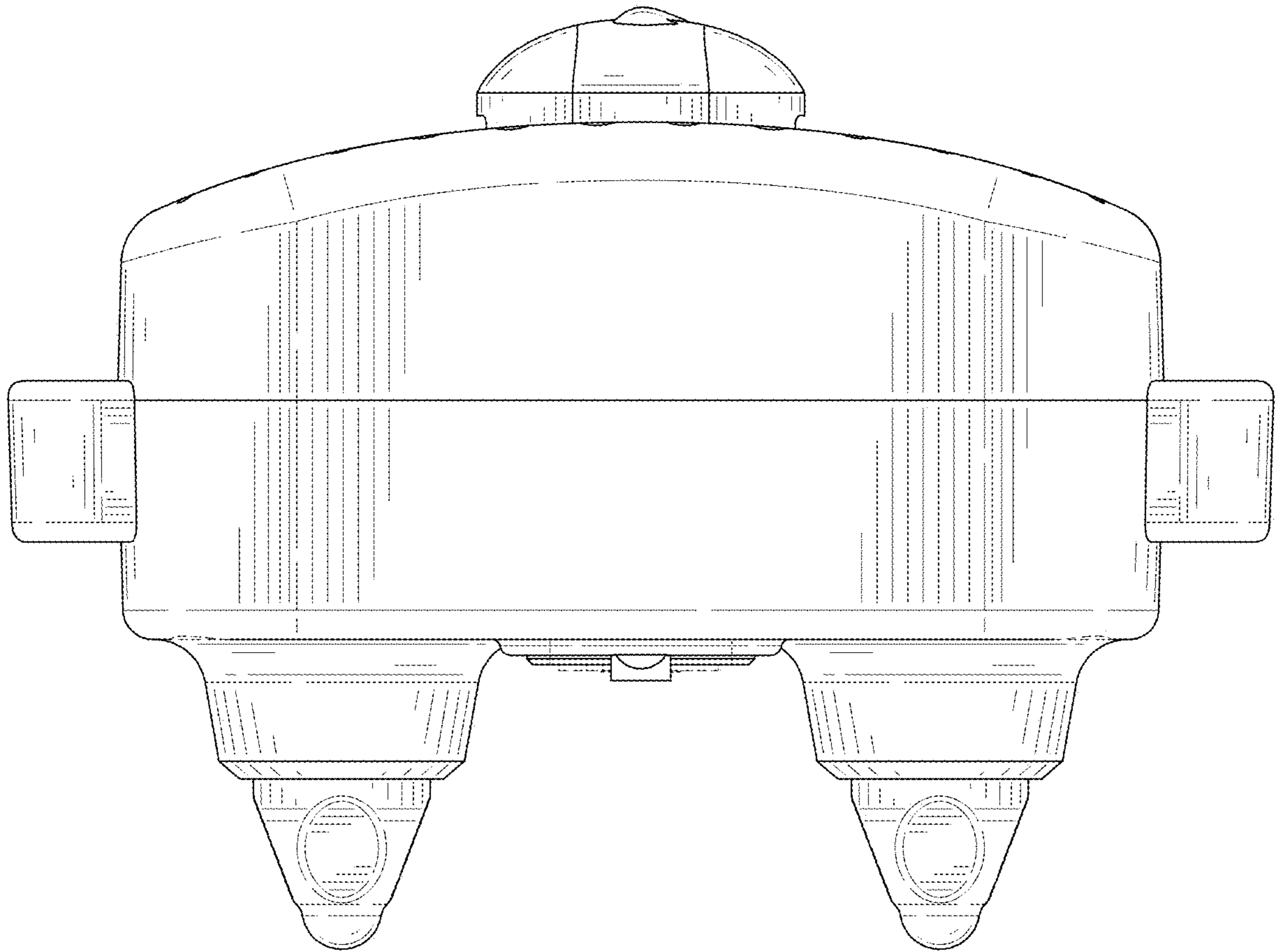


FIG. 8