



US00D982843S

(12) **United States Design Patent**
Zheng

(10) **Patent No.:** **US D982,843 S**
(45) **Date of Patent:** **** Apr. 4, 2023**

- (54) **PET WATER DISPENSER**
- (71) Applicant: **Daoping Zheng**, Raoping County (CN)
- (72) Inventor: **Daoping Zheng**, Raoping County (CN)
- (**) Term: **15 Years**
- (21) Appl. No.: **29/861,108**
- (22) Filed: **Nov. 27, 2022**
- (51) **LOC (14) Cl.** **30-03**
- (52) **U.S. Cl.**
USPC **D30/132; D30/122**
- (58) **Field of Classification Search**
USPC D30/123, 129, 132, 121; 119/69.5, 673,
119/57.8, 68, 74, 61.57, 78-81, 61.4,
119/57.9, 51.5, 61.5, 72, 475; 47/66.6,
47/39, 67, 83; 239/280, 200, 281, 280.5,
239/273, 16-32; 4/644, 627, 638;
D7/558; D11/144, 145, 153; D99/5, 24;
27/1; D23/201, 292, 204, 205, 214-216;
248/127, 132, 137, 138, 158, 910;
215/10; D6/353, 352, 484, 360, 480,
D6/488; 219/521; 329/442, 459;
99/452, 483; 40/406, 407; 261/29, 106,
261/73; 137/560, 563, 801; 55/385.2;
417/527, 313; 431/292-294, 289;
362/101; D26/6, 9
CPC ... A01K 7/00; A01K 7/02; A01K 7/06; A01K
7/04; A01K 7/005; A01K 7/022; A01K
7/025; A01K 7/027; A01K 5/0216; A01K
39/02; F04B 23/00; F04B 23/02; F04B
23/021; F04B 23/026; B05B 17/08; B05B
17/085; B01D 35/30; Y10T 137/86035;
Y10T 137/8376; Y10T 137/85954-85978
See application file for complete search history.

- 5,501,178 A * 3/1996 Kemp A01K 7/02
D30/132
- D383,571 S * 9/1997 Frodsham D30/108
- 6,212,804 B1 * 4/2001 Richard G09F 19/00
40/406
- D457,692 S 5/2002 Skurdalsvold et al.
- D642,746 S * 8/2011 Weber D30/129
- 8,104,431 B2 * 1/2012 Klenotiz A01K 7/06
119/72
- D655,053 S 2/2012 Weber
- D659,914 S * 5/2012 Lipscomb D30/129
- 8,261,696 B1 * 9/2012 Lipscomb A01K 7/02
119/702
- 8,381,685 B2 * 2/2013 Lipscomb A01K 7/02
119/74
- D692,623 S * 10/2013 Lipscomb A01K 7/00
D30/129
- D693,522 S * 11/2013 Miller D30/129
- D704,392 S * 5/2014 Fang D30/132
- D709,654 S * 7/2014 Lipscomb D30/129

(Continued)

Primary Examiner — Susan Moon Lee
(74) *Attorney, Agent, or Firm* — Xiaofang Zhong

(57) **CLAIM**

The ornamental design for a pet water dispenser, as shown and described.

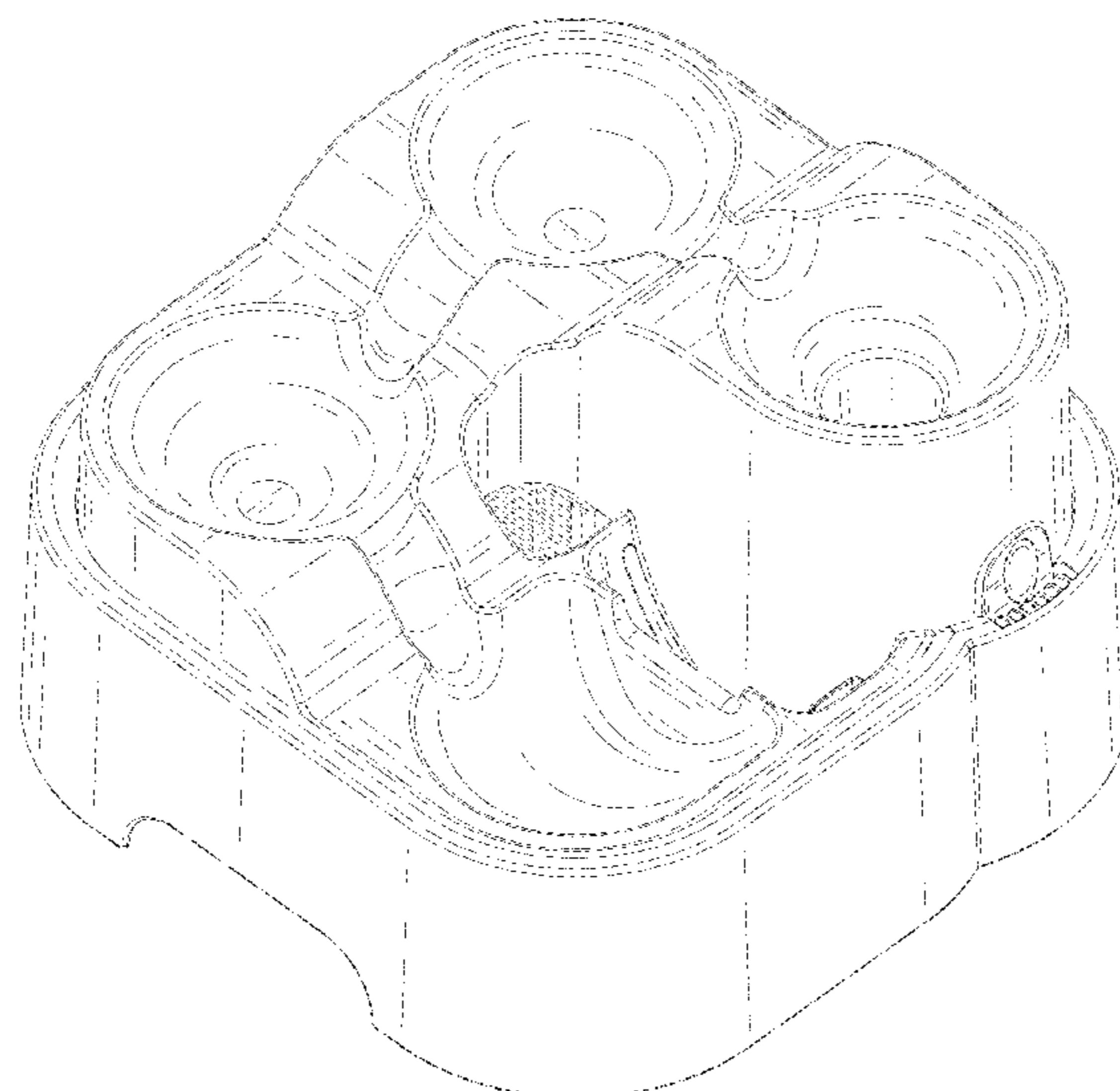
DESCRIPTION

FIG. 1 is a front, right and top perspective view of a pet water dispenser showing my new design; FIG. 2 is a rear, left and bottom perspective view thereof; FIG. 3 is a front elevational view thereof; FIG. 4 is a rear elevational view thereof; FIG. 5 is a left view thereof; FIG. 6 is a right view thereof; FIG. 7 is a top plan view thereof; and, FIG. 8 is a bottom plan view thereof.

1 Claim, 8 Drawing Sheets

(56) **References Cited**
U.S. PATENT DOCUMENTS

- D176,252 S * 12/1955 Duncan D7/555
- 4,836,142 A * 6/1989 Duback B01F 23/23411
239/23



(56)

References Cited

U.S. PATENT DOCUMENTS

8,763,557 B2 *	7/2014	Lipscomb	A01K 7/02 119/74	D956,366 S *	6/2022	Liu	D30/132
9,510,561 B2 *	12/2016	Lipscomb	A01K 7/02	D961,171 S *	8/2022	Guan	D30/132
D801,595 S *	10/2017	Oates	D30/132	D962,557 S *	8/2022	Wang	D30/132
9,826,712 B2 *	11/2017	Lipscomb	A01K 7/02	D972,228 S *	12/2022	Ji	D30/132
D846,815 S	4/2019	Darkwah		D972,788 S *	12/2022	Milsom	D30/132
D850,018 S *	5/2019	Paxson	D30/132	2010/0300366 A1 *	12/2010	Lipscomb	A01K 7/02 119/74
D850,019 S *	5/2019	Paxson	D30/132	2011/0259273 A1 *	10/2011	Lipscomb	A01K 7/02 119/74
D850,020 S *	5/2019	Paxson	D30/132	2012/0017839 A1 *	1/2012	Veness	A01K 7/00 119/74
D871,683 S	12/2019	Lee		2012/0137979 A1 *	6/2012	Lipscomb	A01K 7/02 119/74
D872,381 S	1/2020	Lee		2013/0087102 A1 *	4/2013	Lipscomb	A01K 7/00 119/74
D893,110 S	8/2020	Ni		2013/0180458 A1 *	7/2013	Lipscomb	A01K 7/02 119/74
D899,709 S	10/2020	MacNeil et al.		2014/0069341 A1 *	3/2014	Lipscomb	A01K 7/02 119/74
D912,911 S *	3/2021	Wang	D30/132	2017/0245465 A1 *	8/2017	Oates	B65D 21/0234
D913,604 S *	3/2021	Wang	D30/132	2019/0075755 A1 *	3/2019	Imaizumi	A01K 39/02
D917,106 S *	4/2021	Ma	D30/132	2019/0098866 A1 *	4/2019	Paxson	F04B 23/021
D918,490 S *	5/2021	Kirk	D30/132	2021/0144963 A1 *	5/2021	Wang	C02F 9/20
D925,134 S *	7/2021	Mai	D30/132				
D937,501 S	11/2021	Chen et al.					
D948,134 S	4/2022	Tu					
D955,065 S *	6/2022	Babal	D30/132				

* cited by examiner

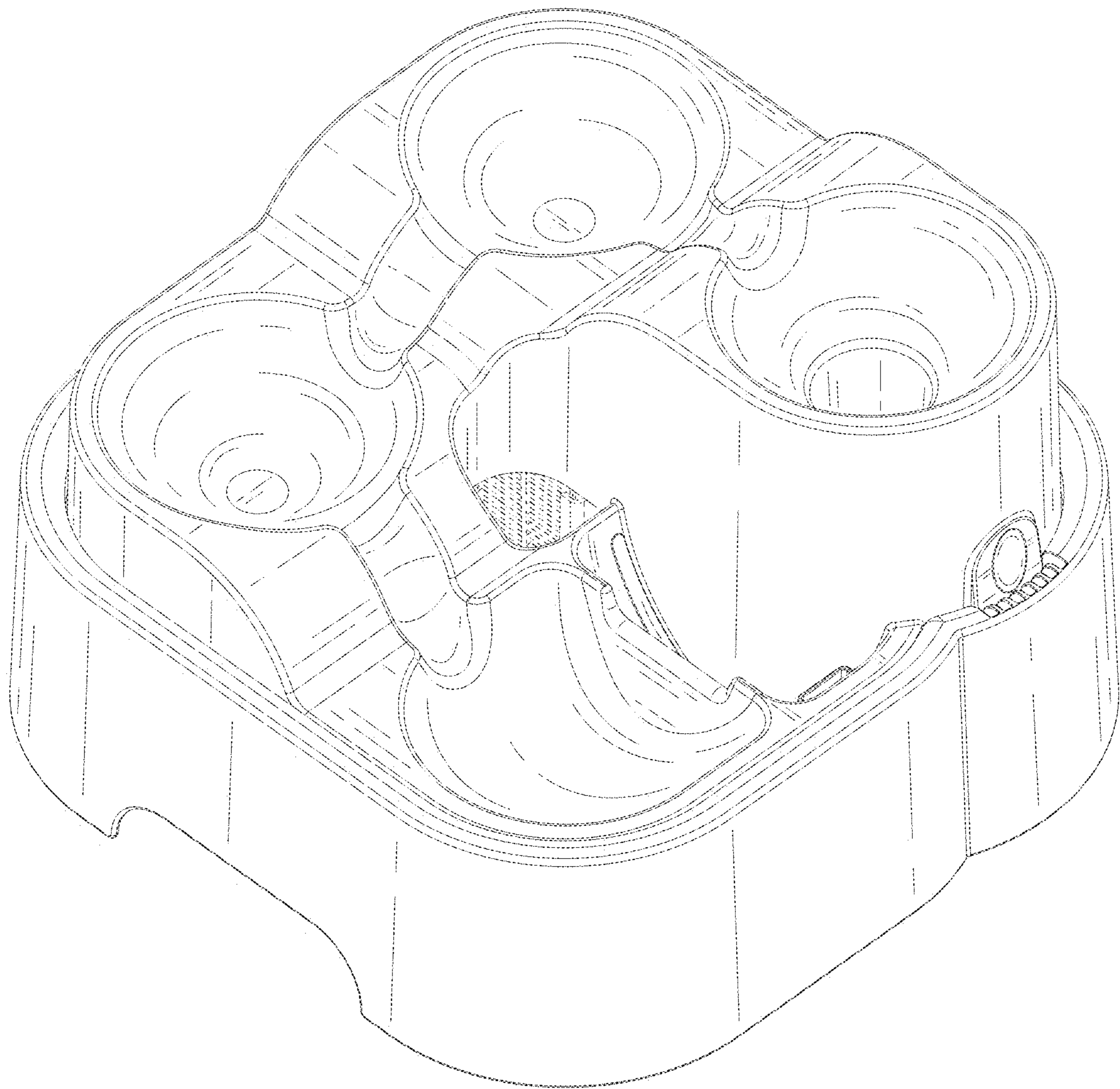


FIG. 1

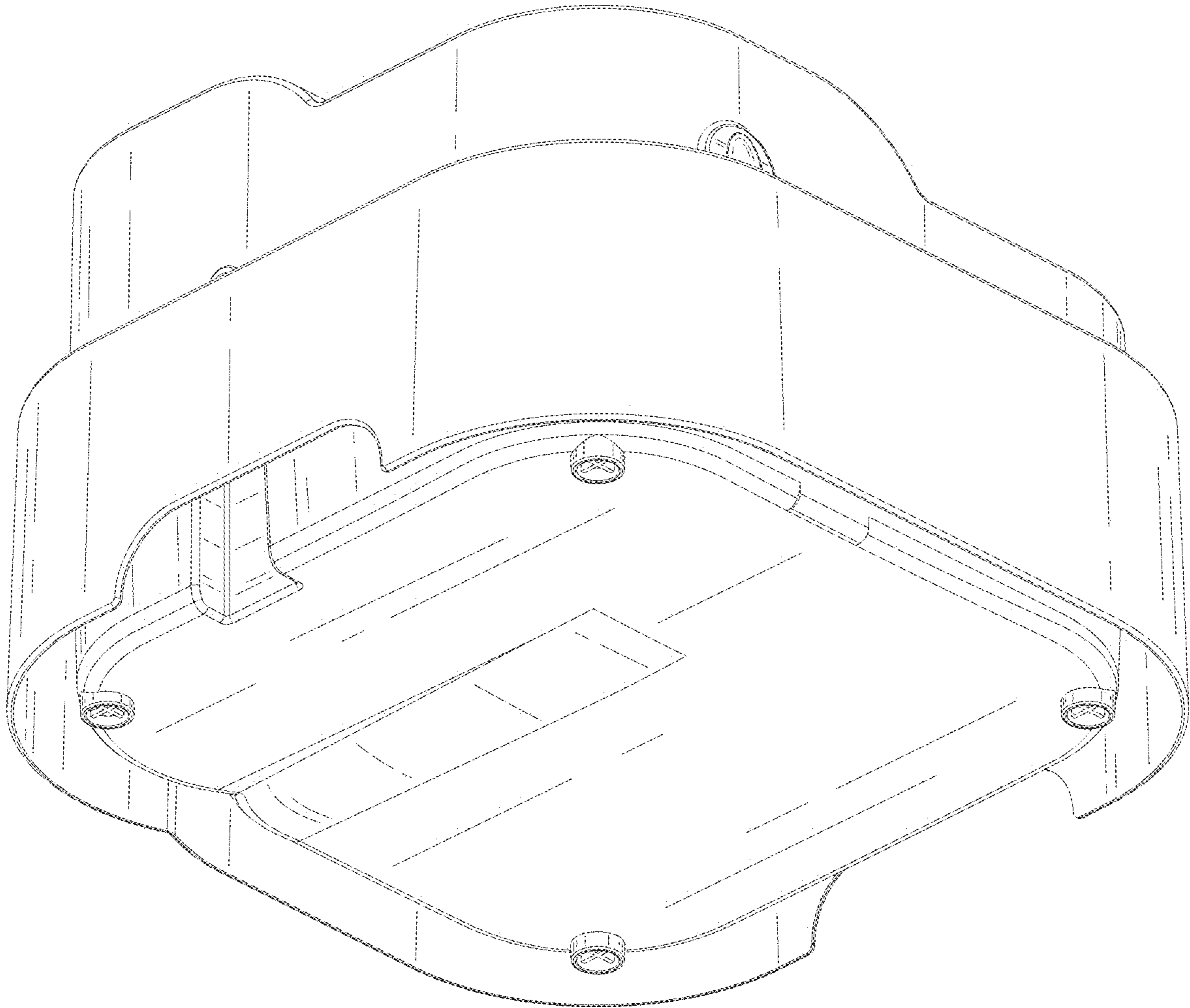


FIG. 2

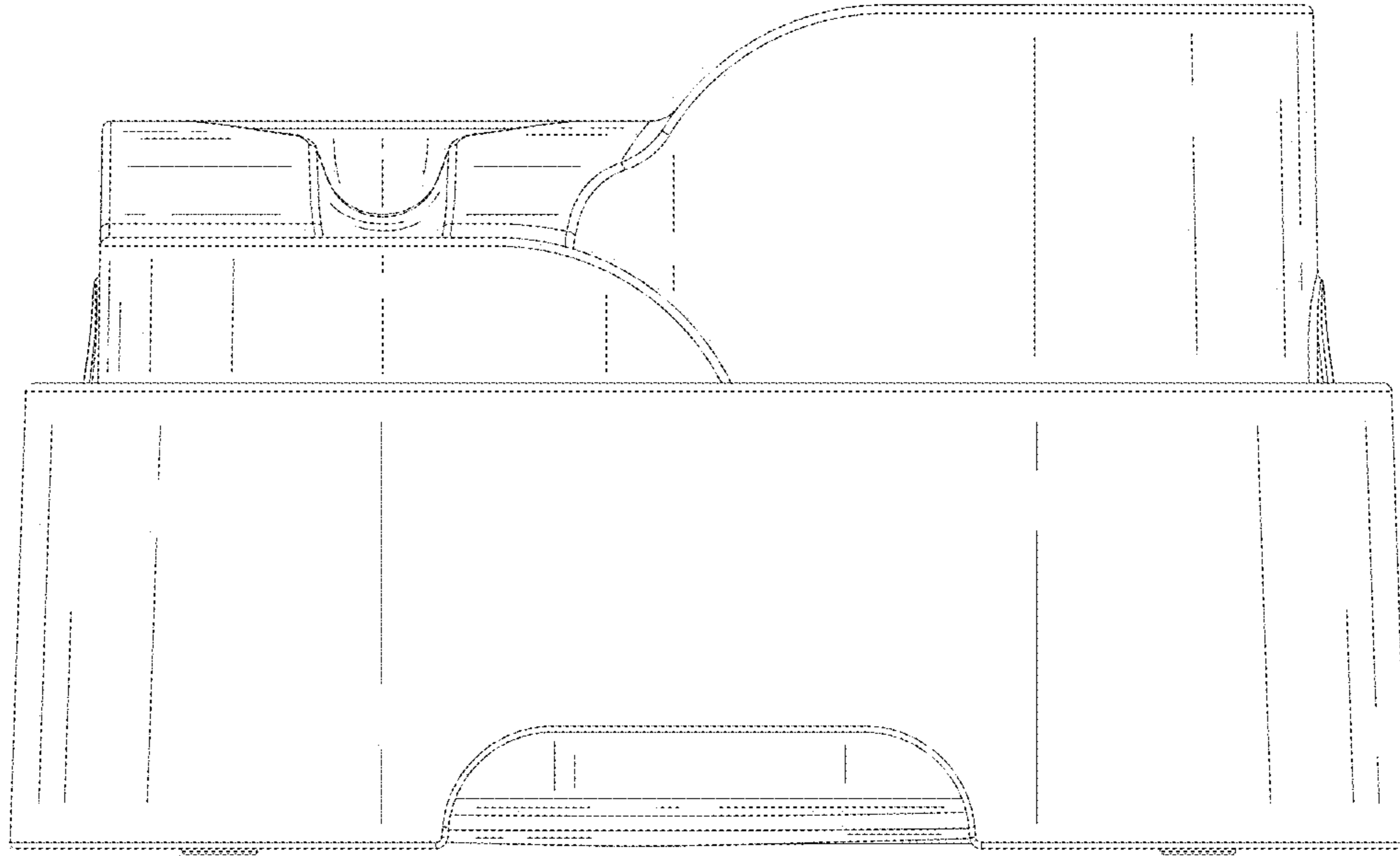


FIG. 3

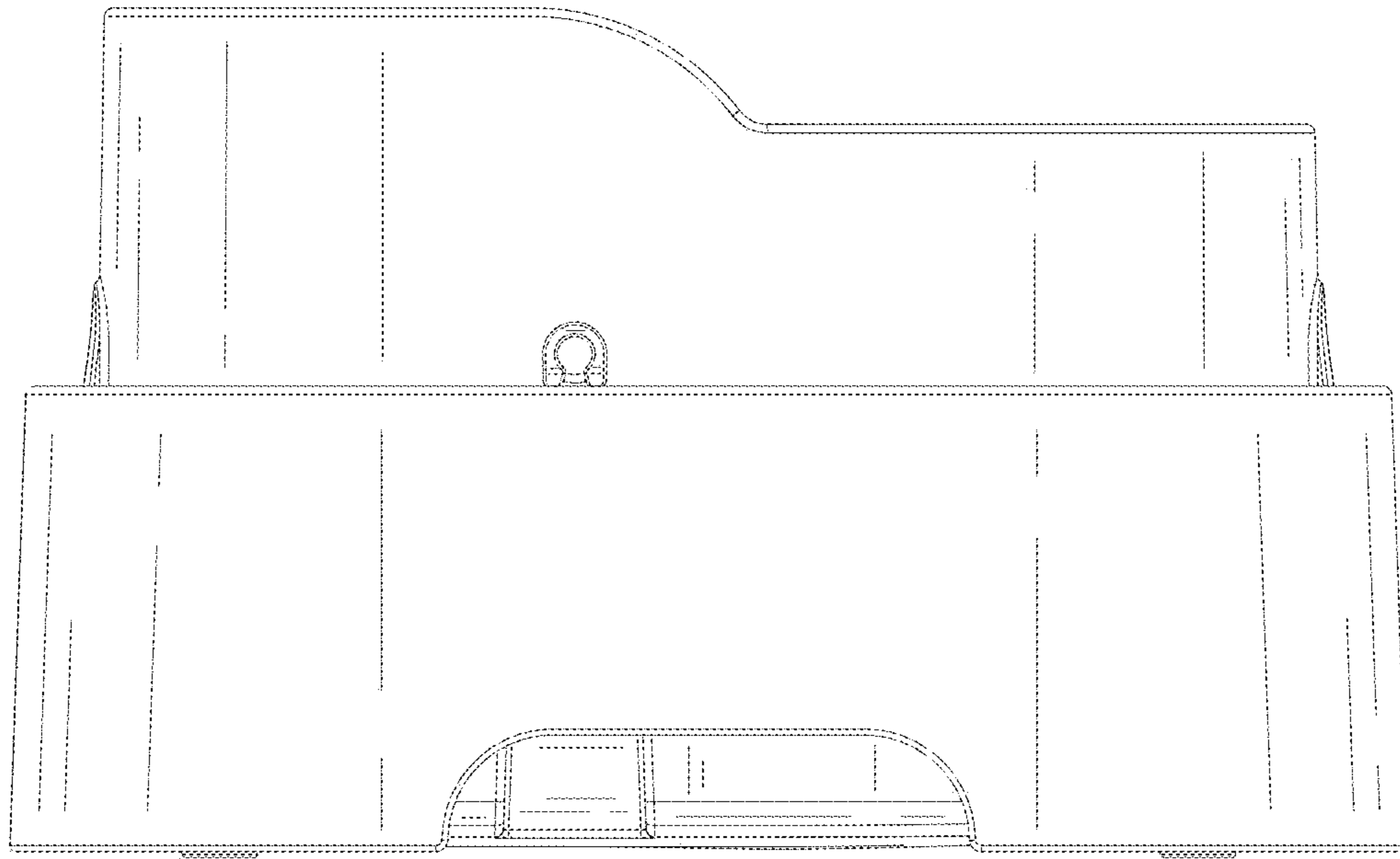


FIG. 4

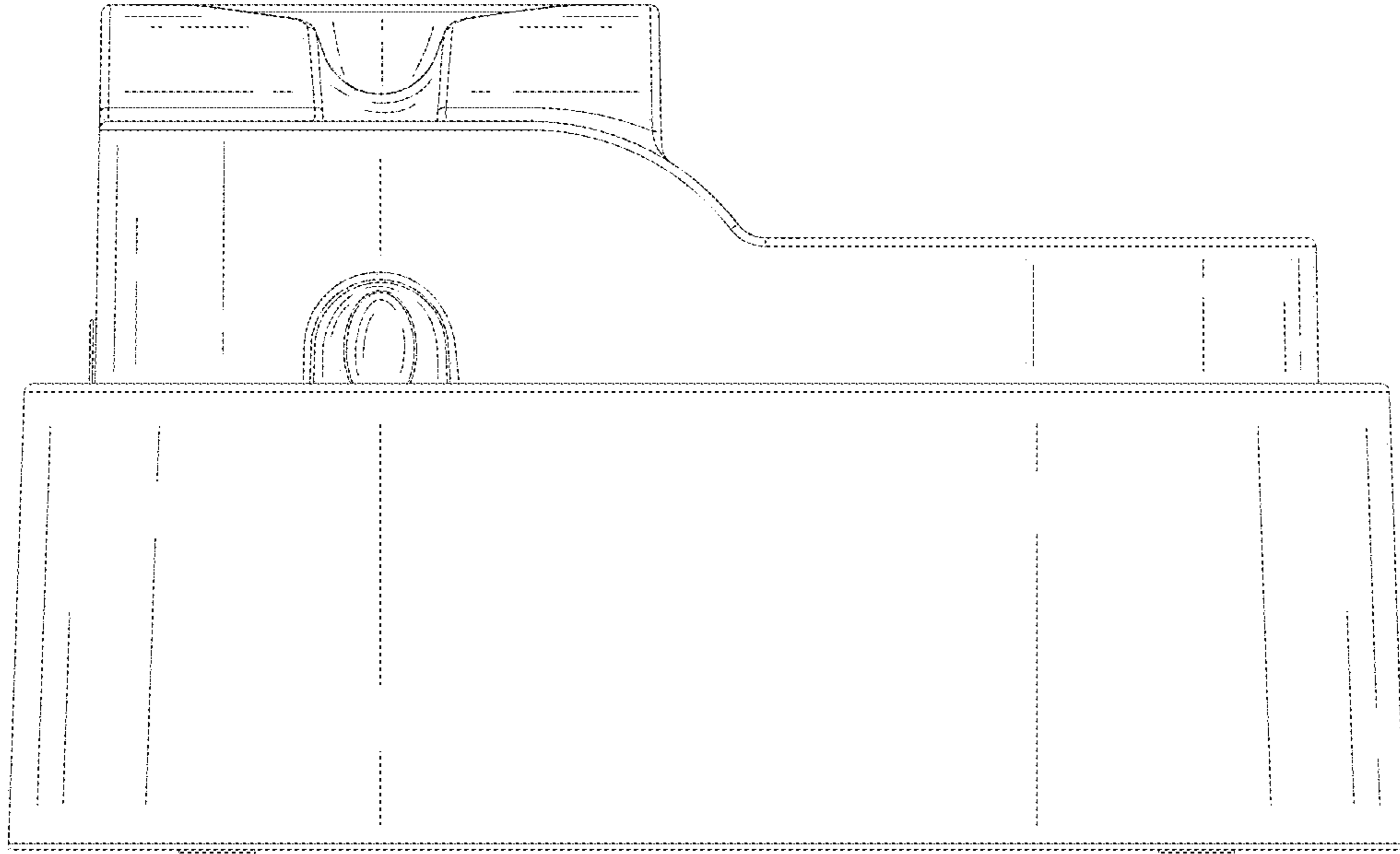


FIG. 5

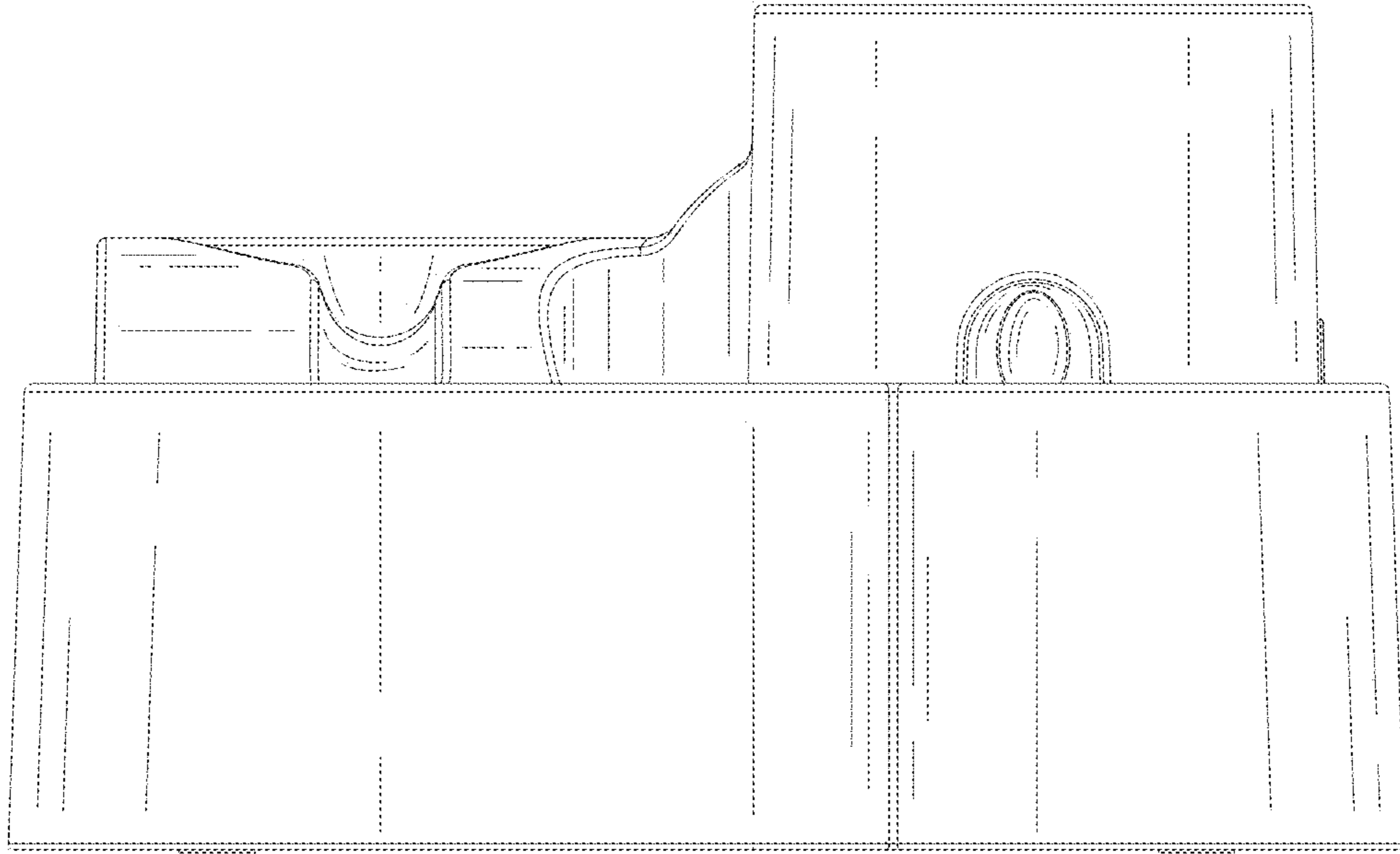


FIG. 6

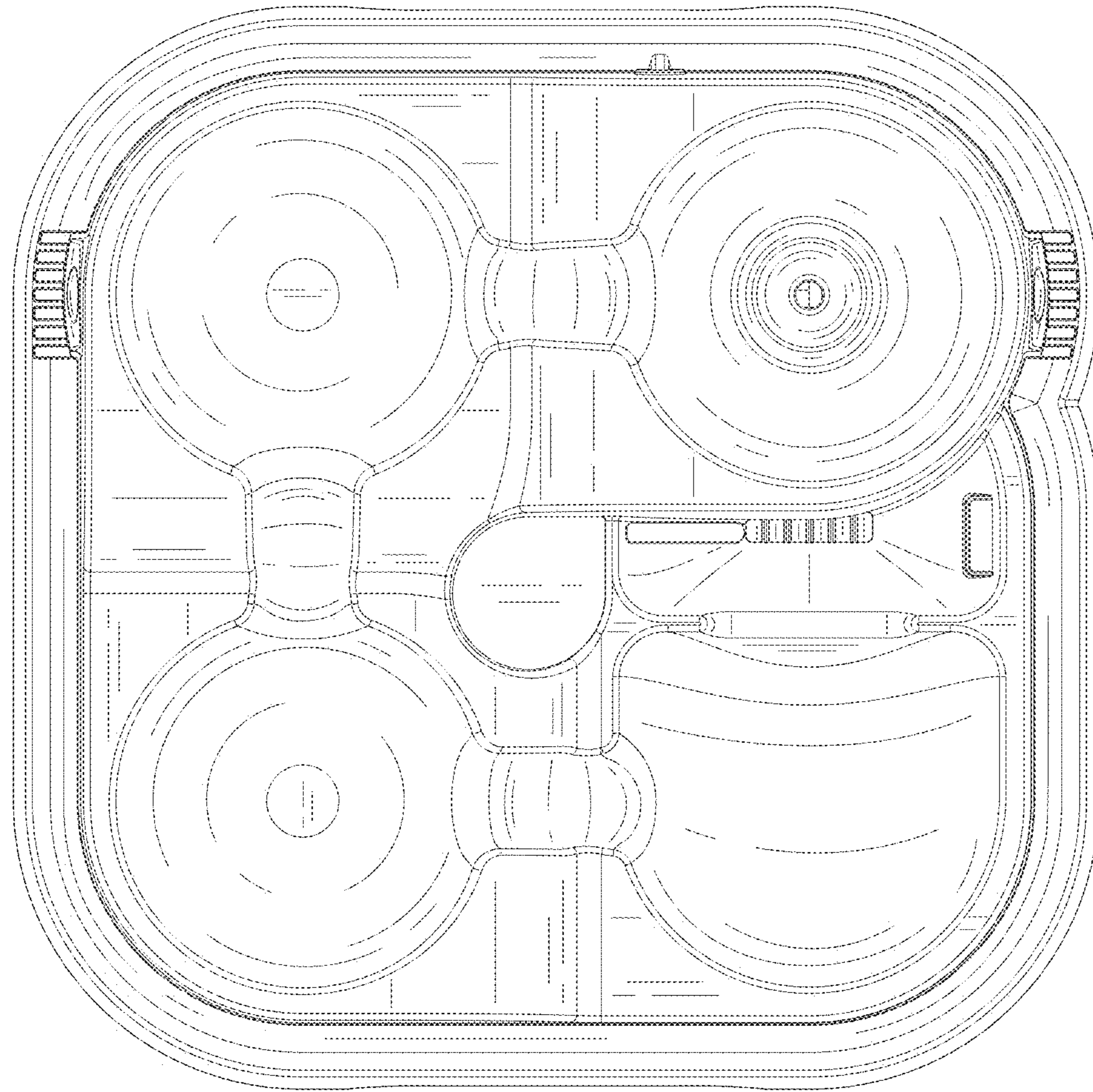


FIG. 7

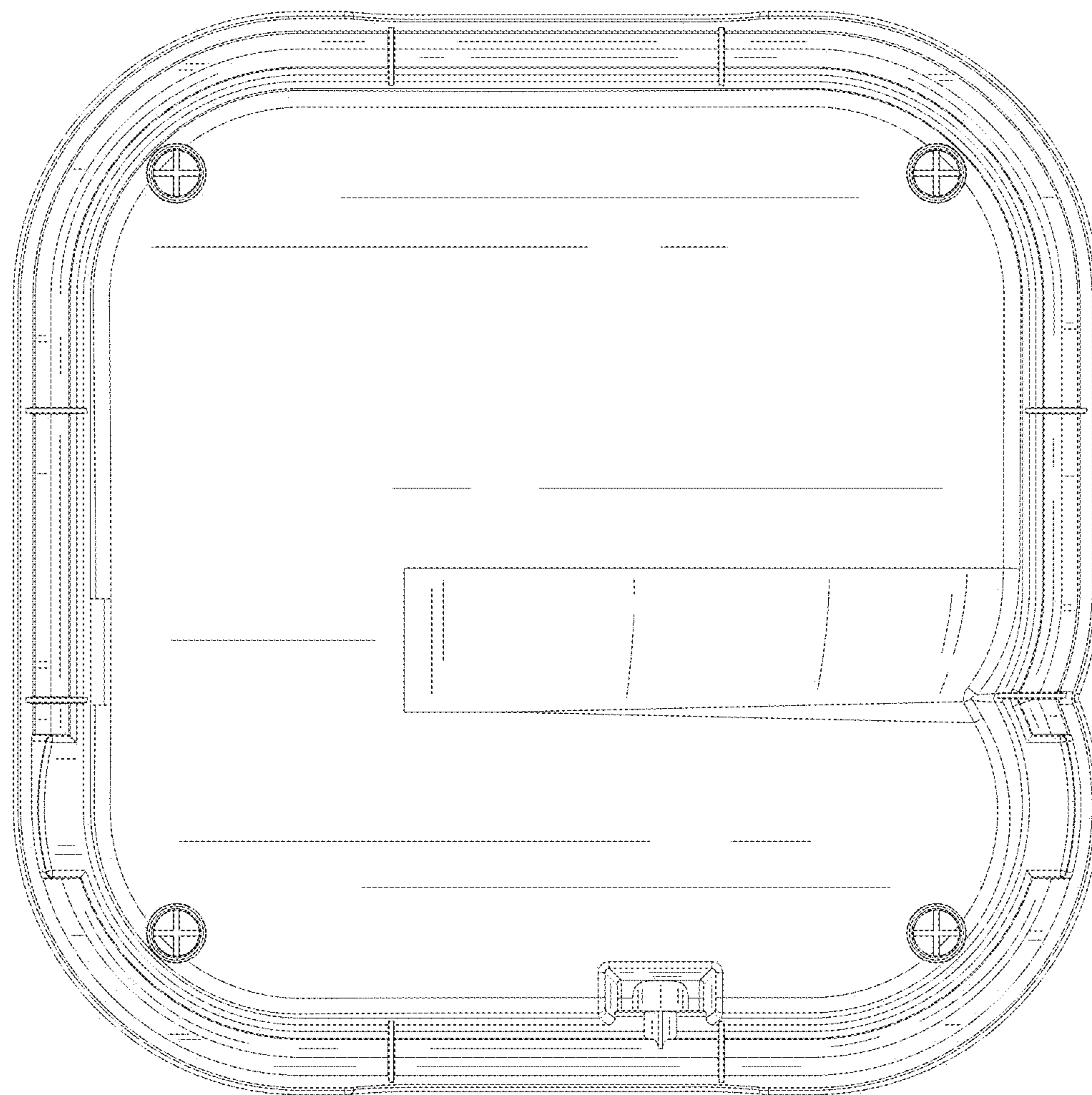


FIG. 8