



US00D982838S

(12) **United States Design Patent**
Han

(10) **Patent No.:** **US D982,838 S**

(45) **Date of Patent:** **** Apr. 4, 2023**

(54) **PET STROLLER**

(71) Applicant: **Suzhou Lingsuyi Trading Co., LTD.**,
Suzhou (CN)

(72) Inventor: **Yangyi Han**, Yangzhou (CN)

(73) Assignee: **Suzhou Lingsuyi Trading Co., LTD.**,
Suzhou (CN)

(**) Term: **15 Years**

(21) Appl. No.: **29/856,620**

(22) Filed: **Oct. 14, 2022**

(51) **LOC (14) Cl.** **30-02**

(52) **U.S. Cl.**
USPC **D30/109**; D12/129

(58) **Field of Classification Search**
USPC D30/108-109; D12/129, 101
CPC .. A01K 1/0236; A01K 1/0254; A01K 1/0035;
A01K 1/0281; A01K 31/07; B62B
2202/42; B62B 9/14; B62B 9/142; B62B
9/20; B62B 9/12; B62B 9/26; B62B 9/00;
B62B 9/18; B62B 5/0013; B62B
2205/104; B62B 3/00; B62B 3/02; B62B
7/00; B62B 7/064; B62B 7/126; B62B
7/08; B62B 2206/04; B62B 2204/00
See application file for complete search history.

(56) **References Cited**

U.S. PATENT DOCUMENTS

D332,069 S * 12/1992 Gibson D12/128
5,669,624 A * 9/1997 Eichhorn B62B 9/26
D12/129

D396,026 S * 7/1998 Arvai D12/102
D641,293 S * 7/2011 Tsai D12/129
D705,996 S * 5/2014 Renforth D30/108
D793,914 S * 8/2017 Eriksson D12/129
9,908,552 B2 * 3/2018 Fleming B62B 7/10
D827,939 S * 9/2018 Jakubowski D12/129
D855,899 S * 8/2019 Jakubowski D30/109
D937,139 S * 11/2021 Eriksson D12/129
D955,060 S 6/2022 Wu
2018/0132446 A1 * 5/2018 Jakubowski B62B 7/105
2019/0053462 A1 * 2/2019 Lin B62B 3/02

* cited by examiner

Primary Examiner — Aula Soroush

(74) *Attorney, Agent, or Firm* — Nitin Kaushik

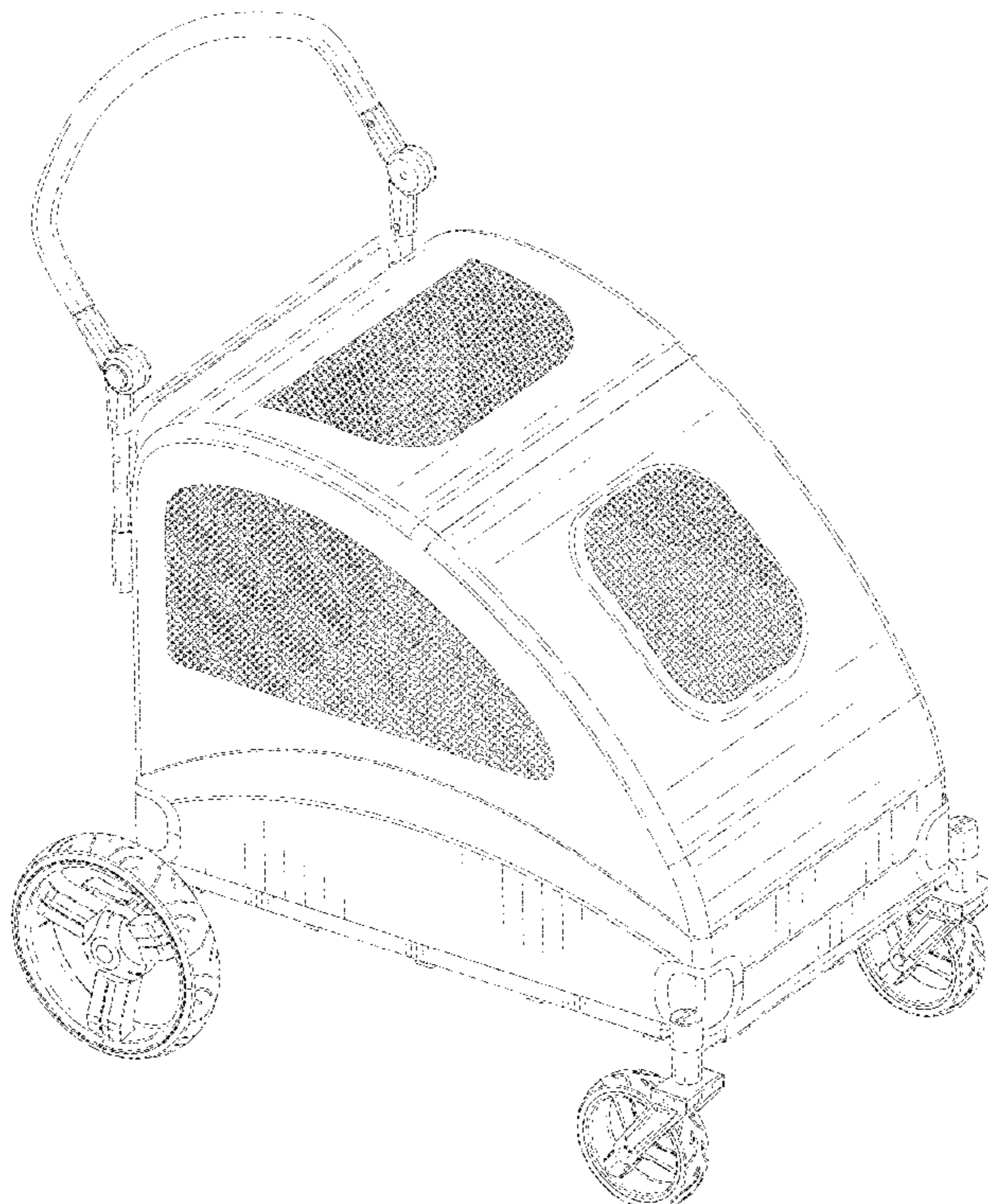
(57) **CLAIM**

The ornamental design for a pet stroller, as shown and described.

DESCRIPTION

FIG. 1 is front perspective view of a pet stroller, showing my new design;
FIG. 2 is a rear perspective view thereof;
FIG. 3 is a front view thereof;
FIG. 4 is a rear view thereof;
FIG. 5 is a right side view thereof;
FIG. 6 is a left side view thereof;
FIG. 7 is a top view thereof; and,
FIG. 8 is a bottom view thereof.
The broken lines in the drawings illustrate the pet stroller, which form no part of the claimed design.

1 Claim, 8 Drawing Sheets



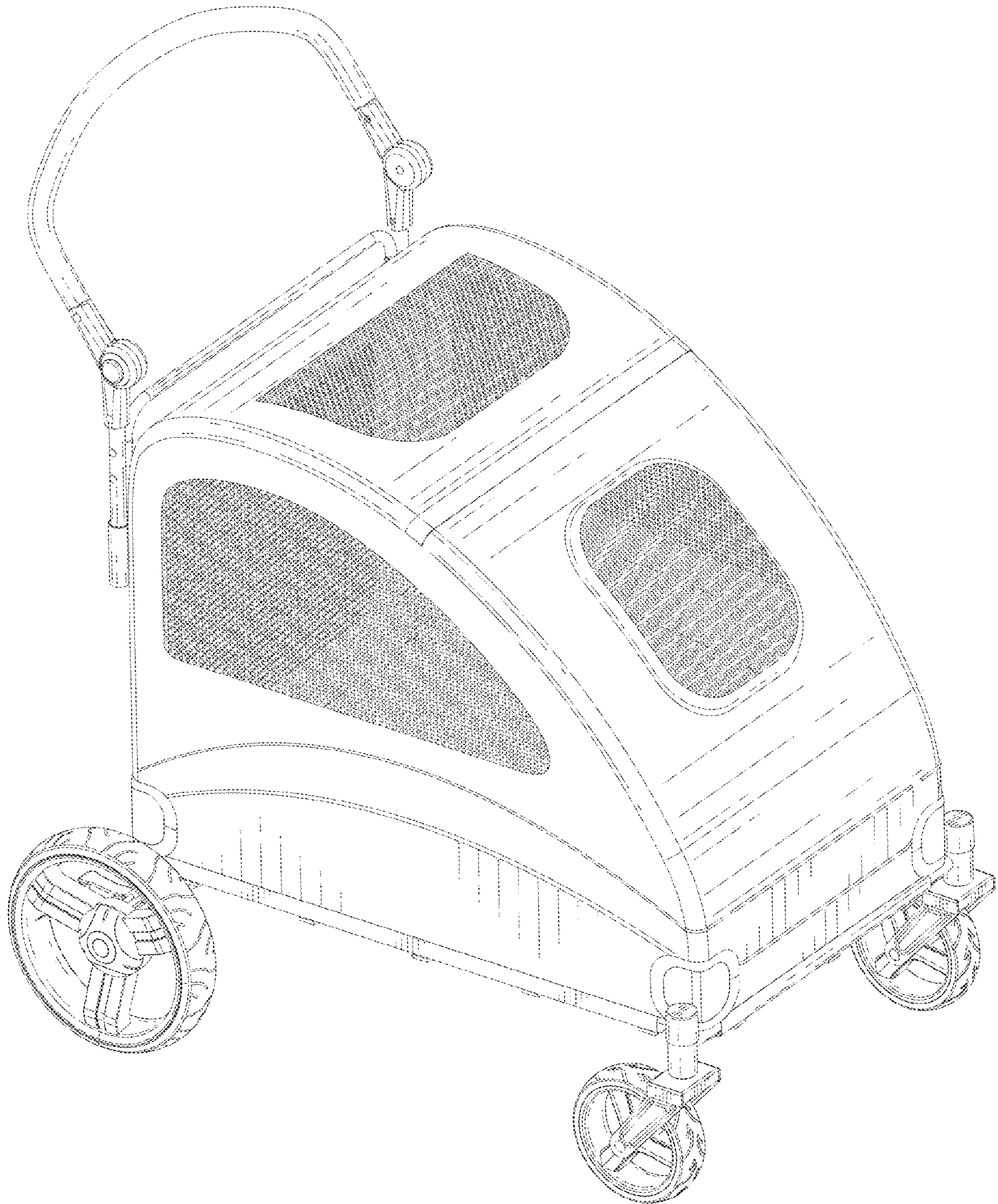


FIG. 1

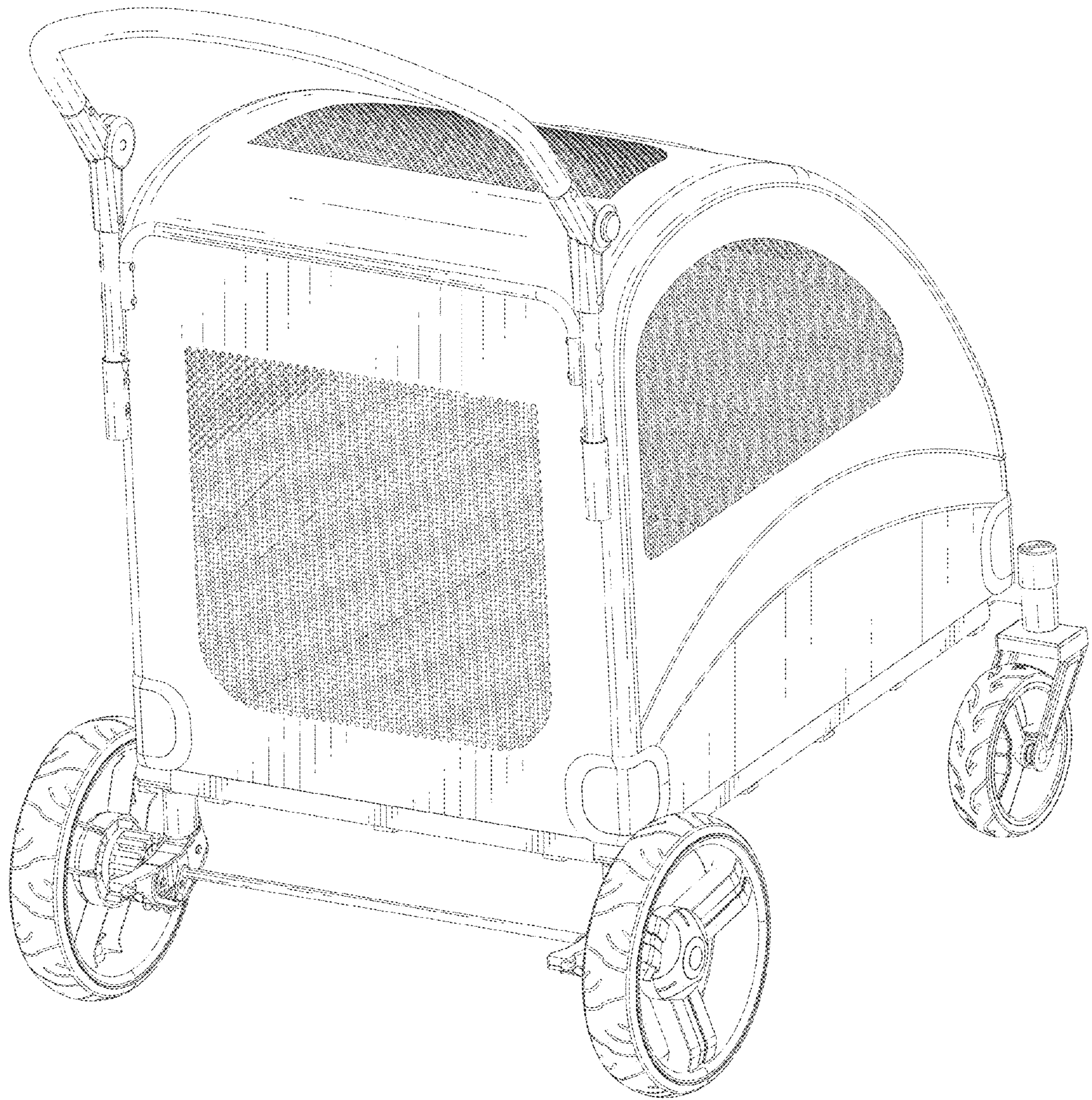


FIG. 2

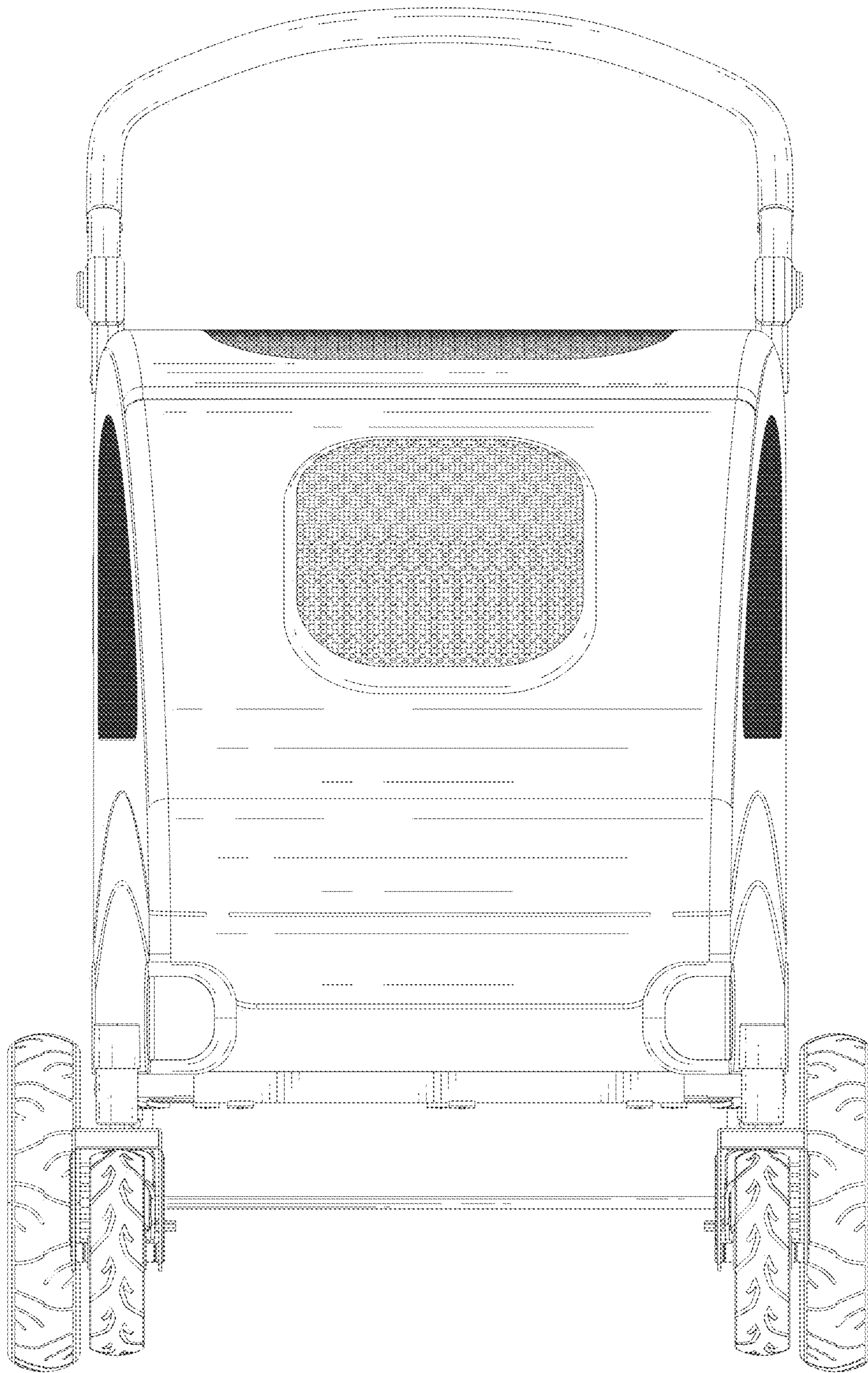


FIG. 3

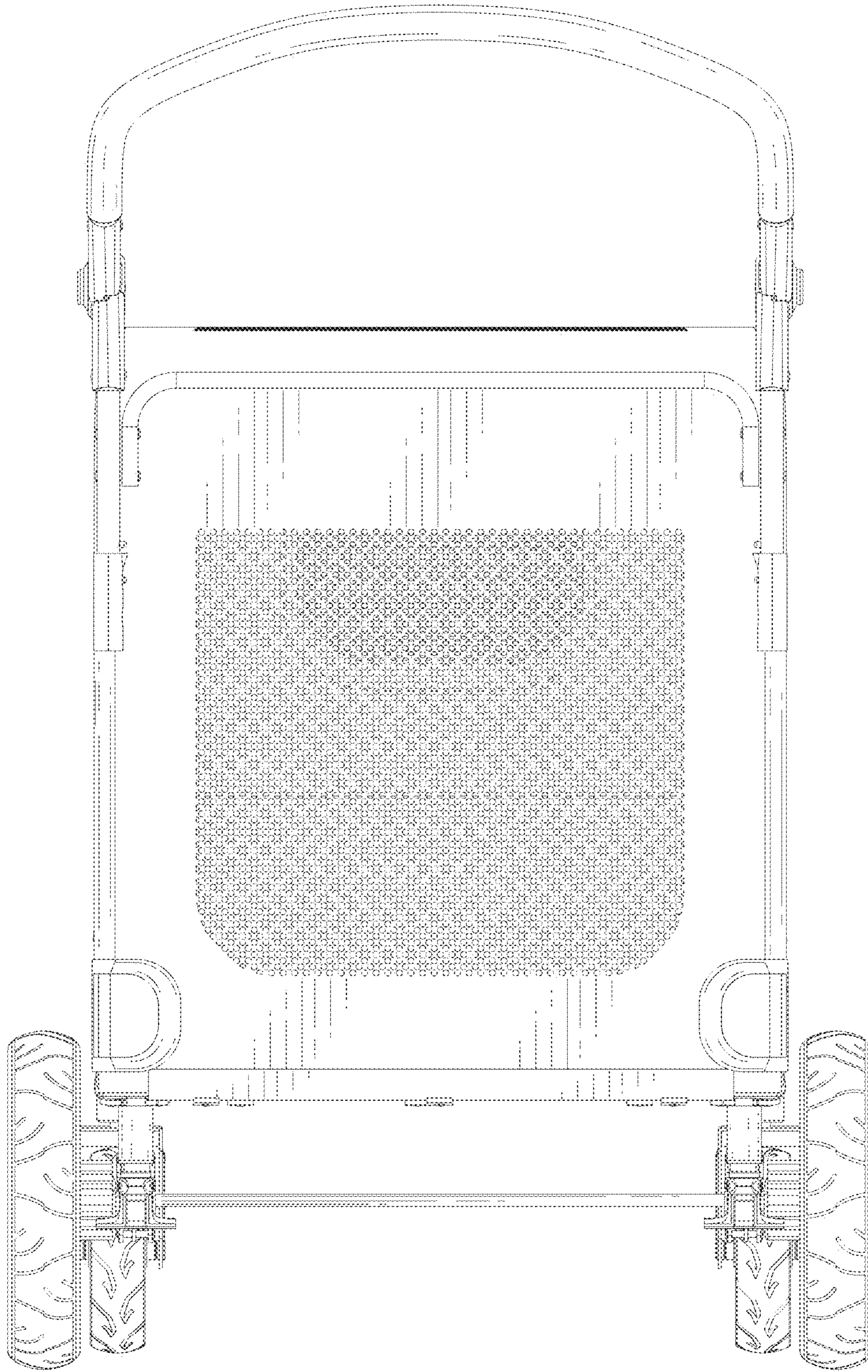


FIG. 4

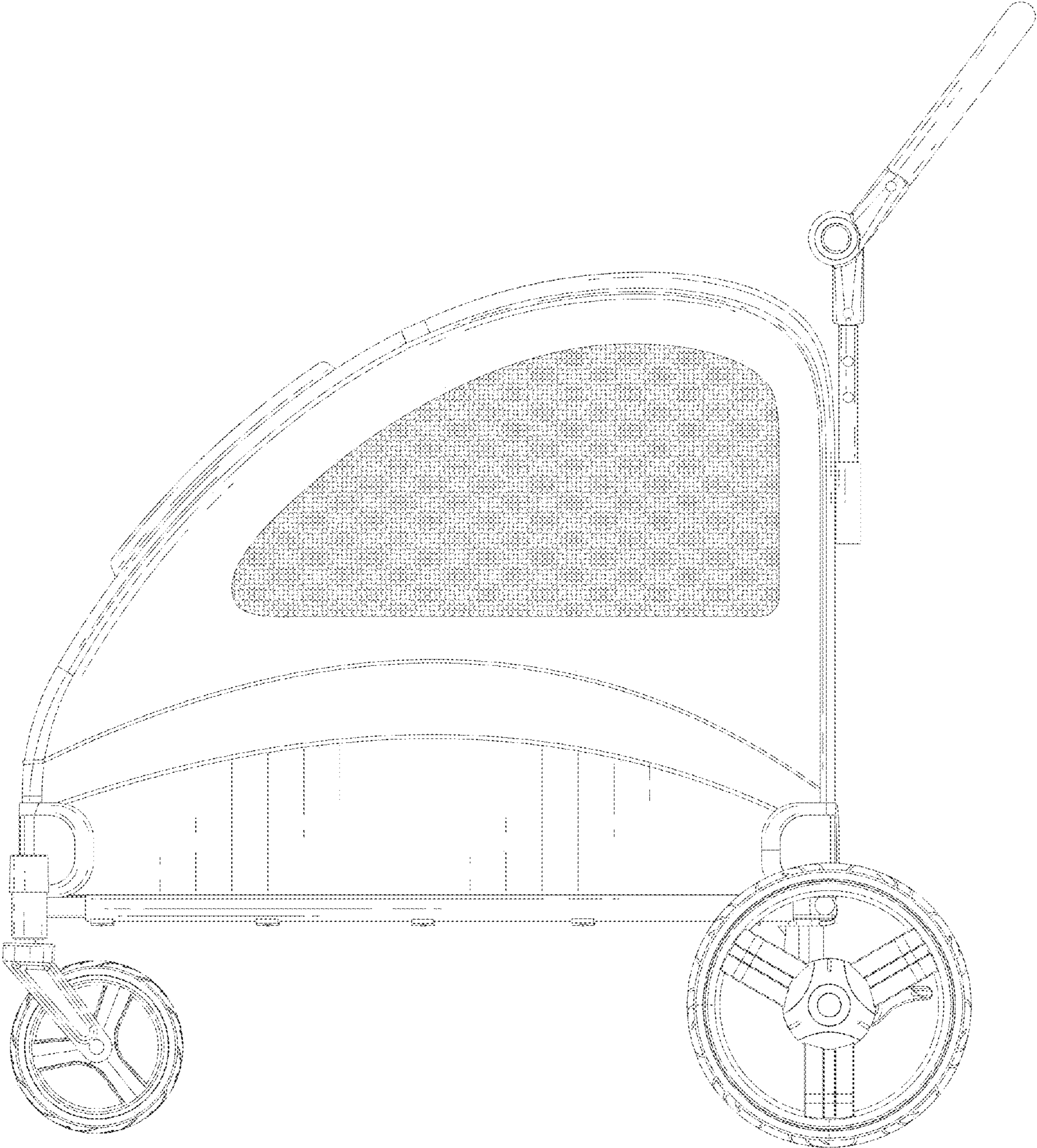


FIG. 5

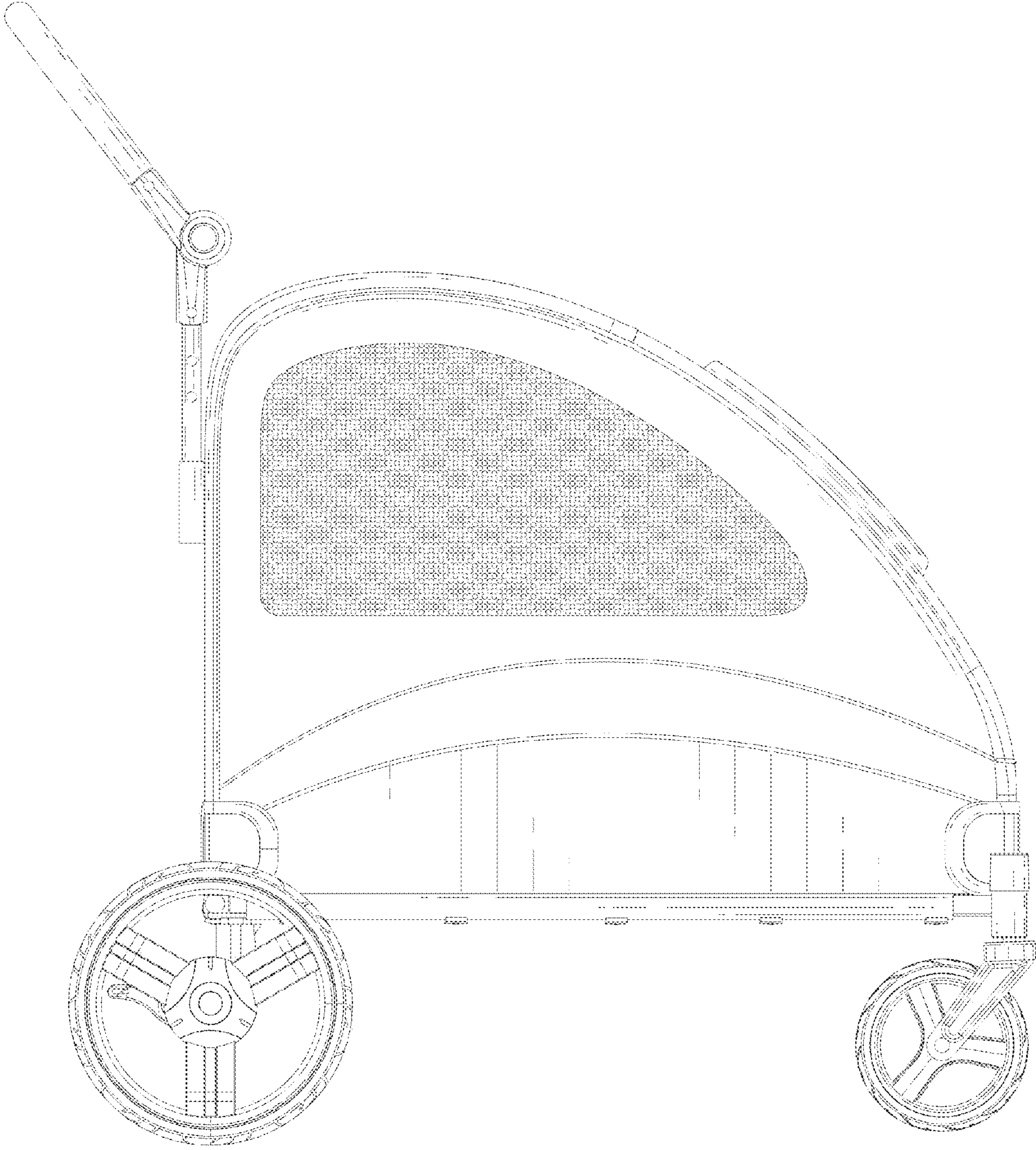


FIG. 6

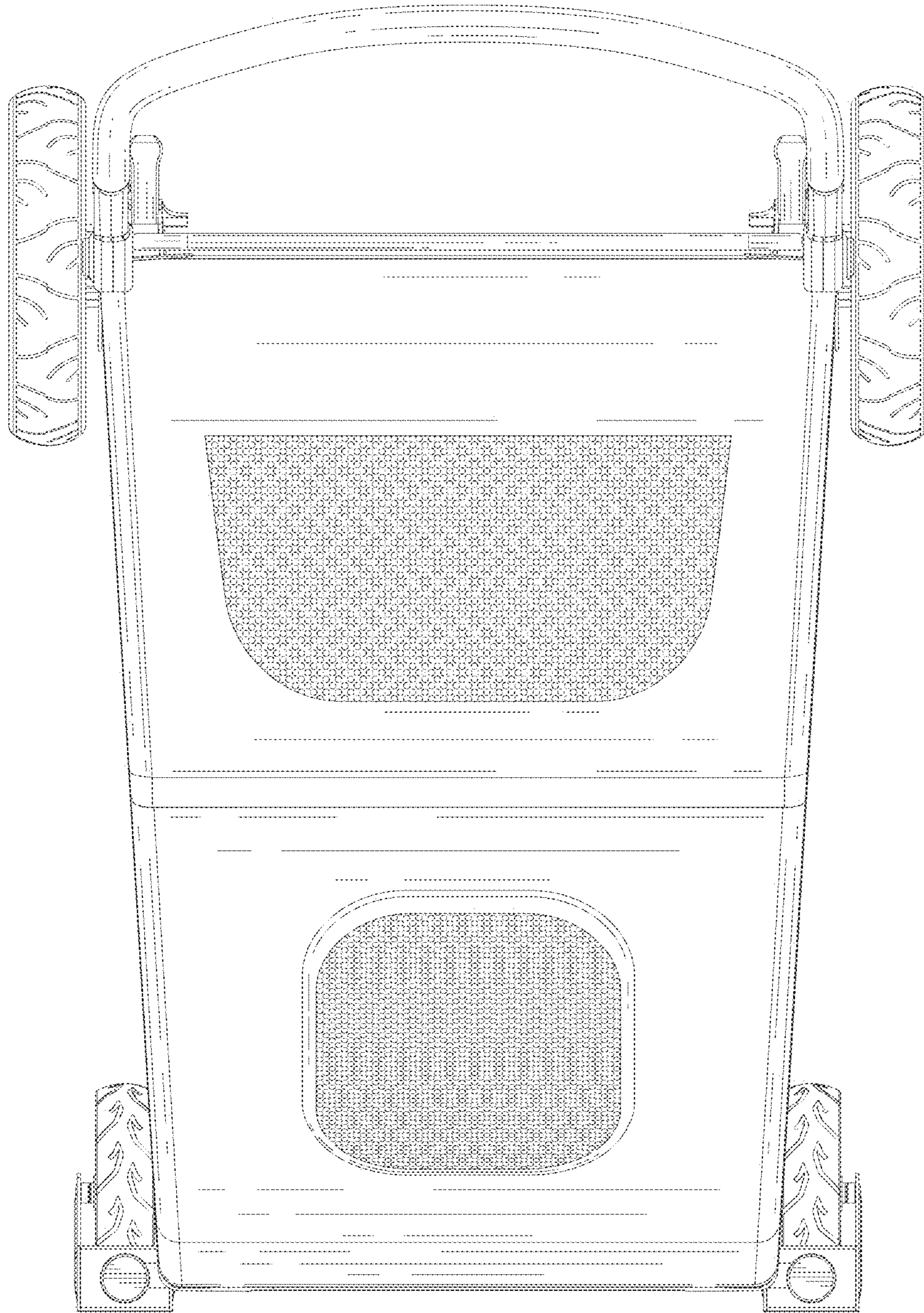


FIG. 7

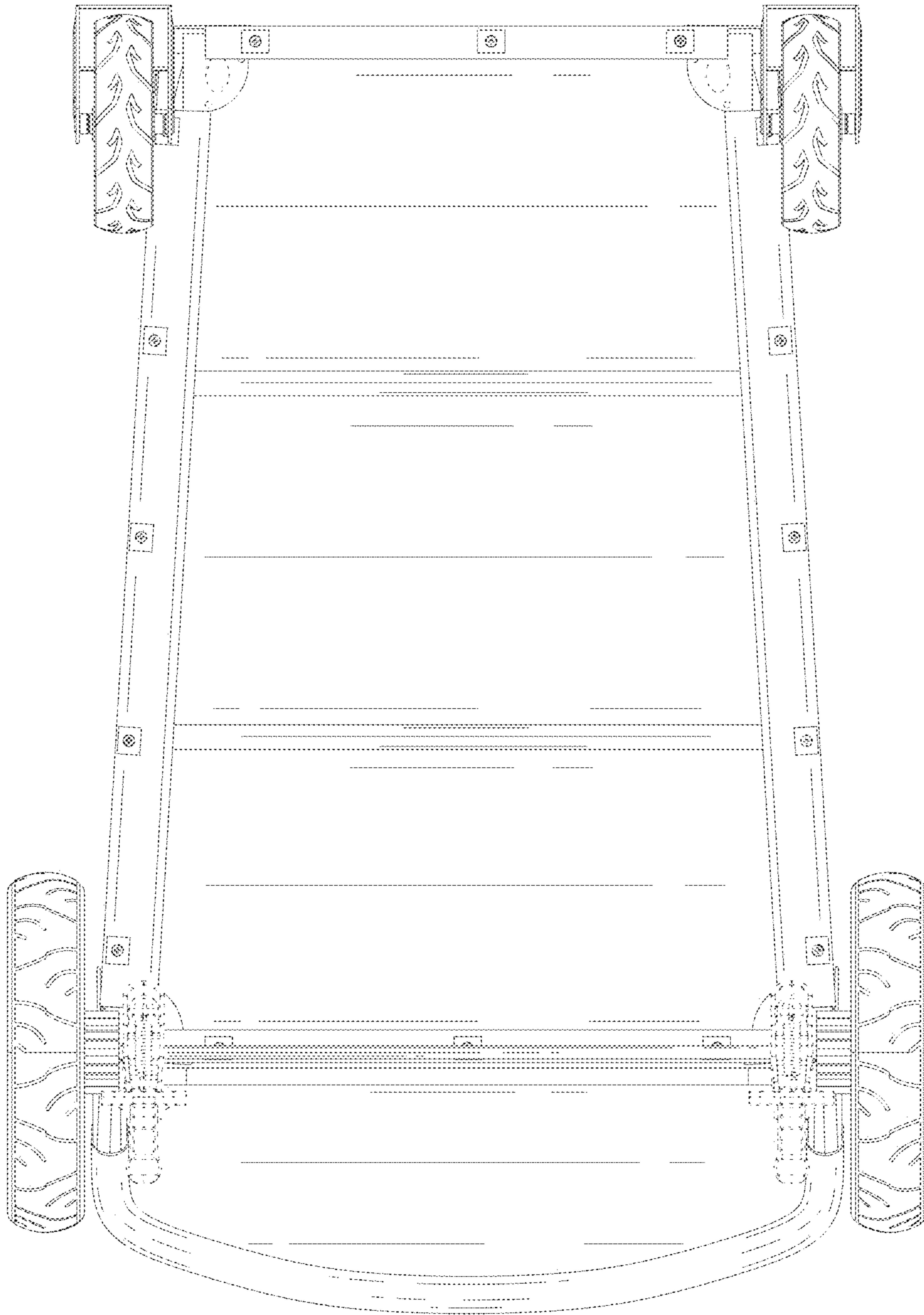


FIG. 8