



US00D982837S

(12) **United States Design Patent** (10) **Patent No.:** **US D982,837 S**
Song (45) **Date of Patent:** **** Apr. 4, 2023**

(54) **PET CARRIER**
(71) Applicant: **Tinghua Song**, Shenzhen (CN)
(72) Inventor: **Tinghua Song**, Shenzhen (CN)
(**) Term: **15 Years**
(21) Appl. No.: **29/775,923**
(22) Filed: **Mar. 26, 2021**
(51) **LOC (14) Cl.** **30-02**
(52) **U.S. Cl.**
USPC **D30/109**
(58) **Field of Classification Search**
USPC D30/108-109; D3/201, 203.1, 203.7,
D3/235, 242, 243, 245-246, 303, 902,
D3/904
CPC A45C 3/00; A45C 2003/008; A45C
2003/007; A45C 2003/002; A45F 3/00;
A45F 3/02; A01K 1/0254; A01K 1/0236;
A01K 1/0281; A01K 1/034; A01K 1/00;
A01K 1/02
See application file for complete search history.

(56) **References Cited**
U.S. PATENT DOCUMENTS
D363,599 S * 10/1995 Gaffin D3/246
D425,698 S * 5/2000 Paul D3/217
6,640,751 B1 * 11/2003 Cool A01K 15/027
119/728
D668,043 S * 10/2012 Quehl D3/246
D668,044 S * 10/2012 Quehl D3/246
8,474,412 B1 * 7/2013 Walden A01K 1/0263
119/725
D703,946 S * 5/2014 Tweedie D3/217
9,339,012 B2 * 5/2016 McClain A01K 15/04
9,681,758 B2 * 6/2017 Lau A47D 13/025
9,961,949 B2 * 5/2018 Rojas A41D 27/10

D841,317 S * 2/2019 Botha D3/217
D866,085 S * 11/2019 Lou D30/108
10,716,287 B2 * 7/2020 Keith A01K 27/002
2002/0124808 A1 * 9/2002 Zampelli A45F 3/00
119/497
2005/0076853 A1 * 4/2005 Leo A01K 1/0254
119/497
2006/0032456 A1 * 2/2006 Kwon A01K 1/0254
119/497
2011/0127309 A1 * 6/2011 Chua A01K 1/029
224/600
2020/0344975 A1 * 11/2020 Kwon A01K 1/029

* cited by examiner

Primary Examiner — Aula Soroush
(74) *Attorney, Agent, or Firm* — Daniel M. Cohn;
Howard M. Cohn

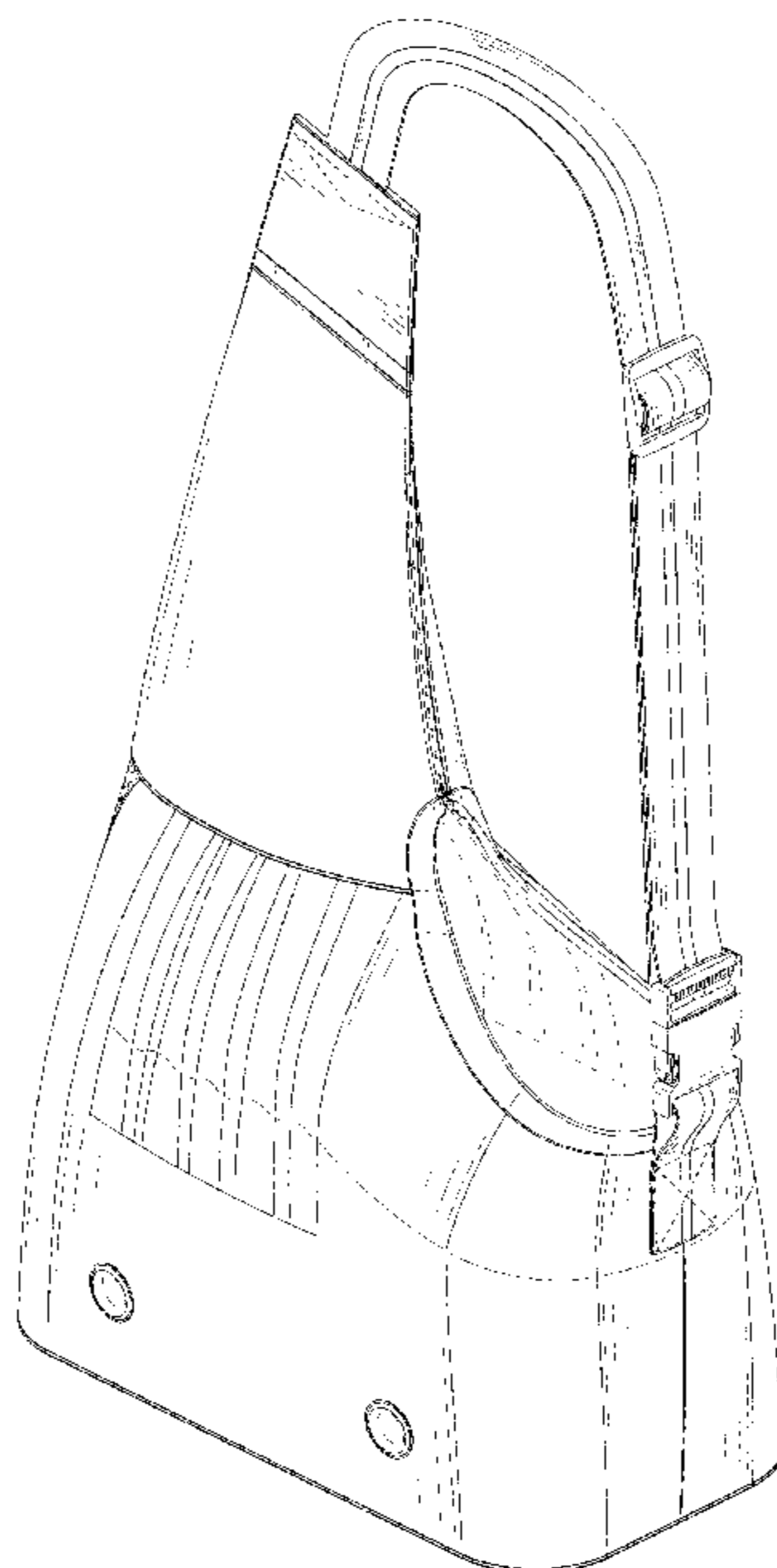
(57) **CLAIM**

The ornamental design for a pet carrier, as shown and described.

DESCRIPTION

FIG. 1 is a perspective view of a pet carrier showing my new design;
FIG. 2 is another perspective view thereof;
FIG. 3 is a front elevational view thereof;
FIG. 4 is a rear elevational view thereof;
FIG. 5 is a left side elevational view thereof;
FIG. 6 is a right side elevational view thereof;
FIG. 7 is a top plan view thereof;
FIG. 8 is a bottom plan view thereof; and,
FIG. 9 is an enlarged view of portion 9 shown in FIG. 2.
The broken lines in the drawings depict portions of the pet carrier that form no part of the claimed design. The dot-dash broken lines represent the boundary of the enlarged portion and form no part of the claimed design.

1 Claim, 9 Drawing Sheets



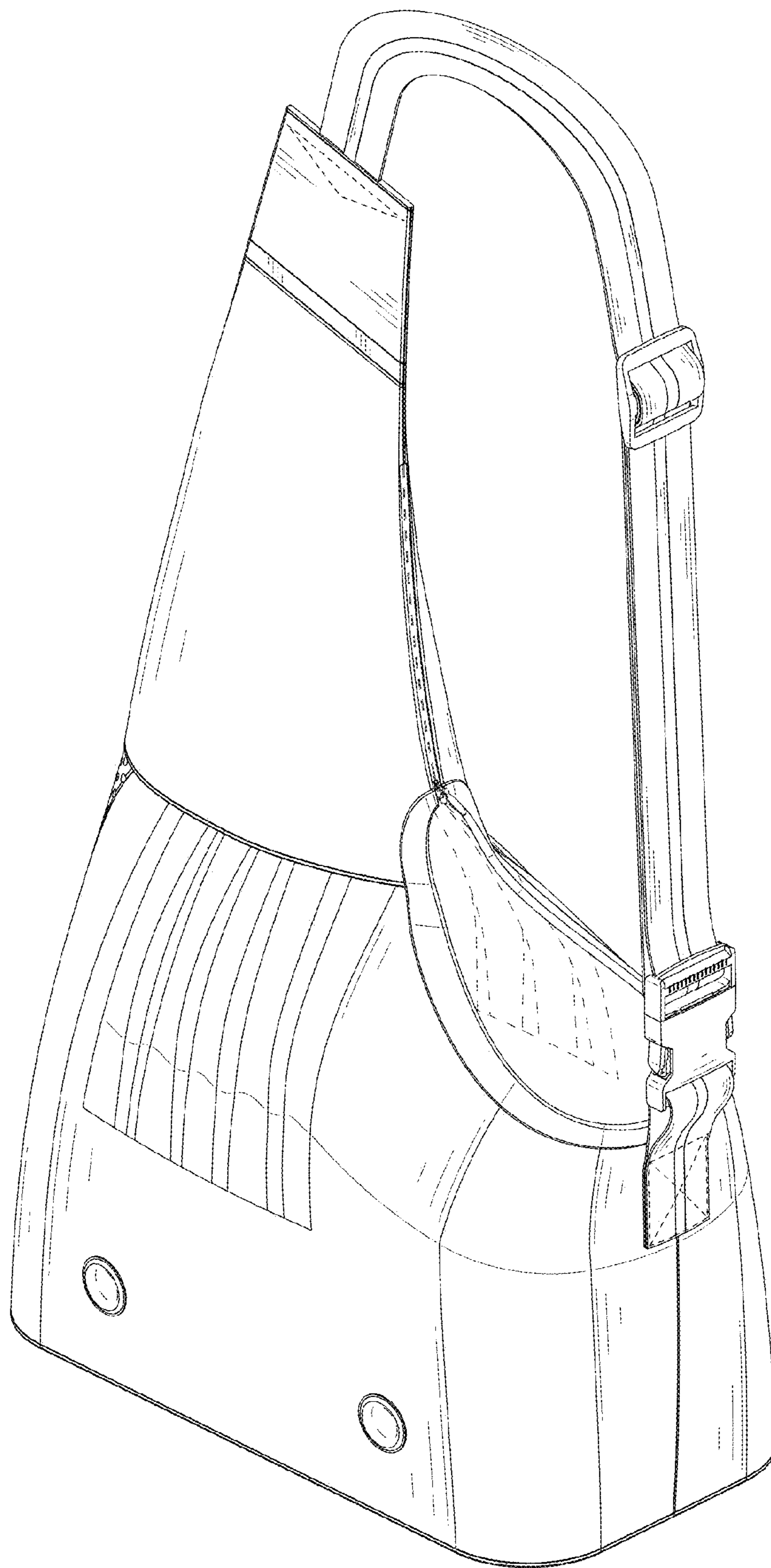


FIG. 1

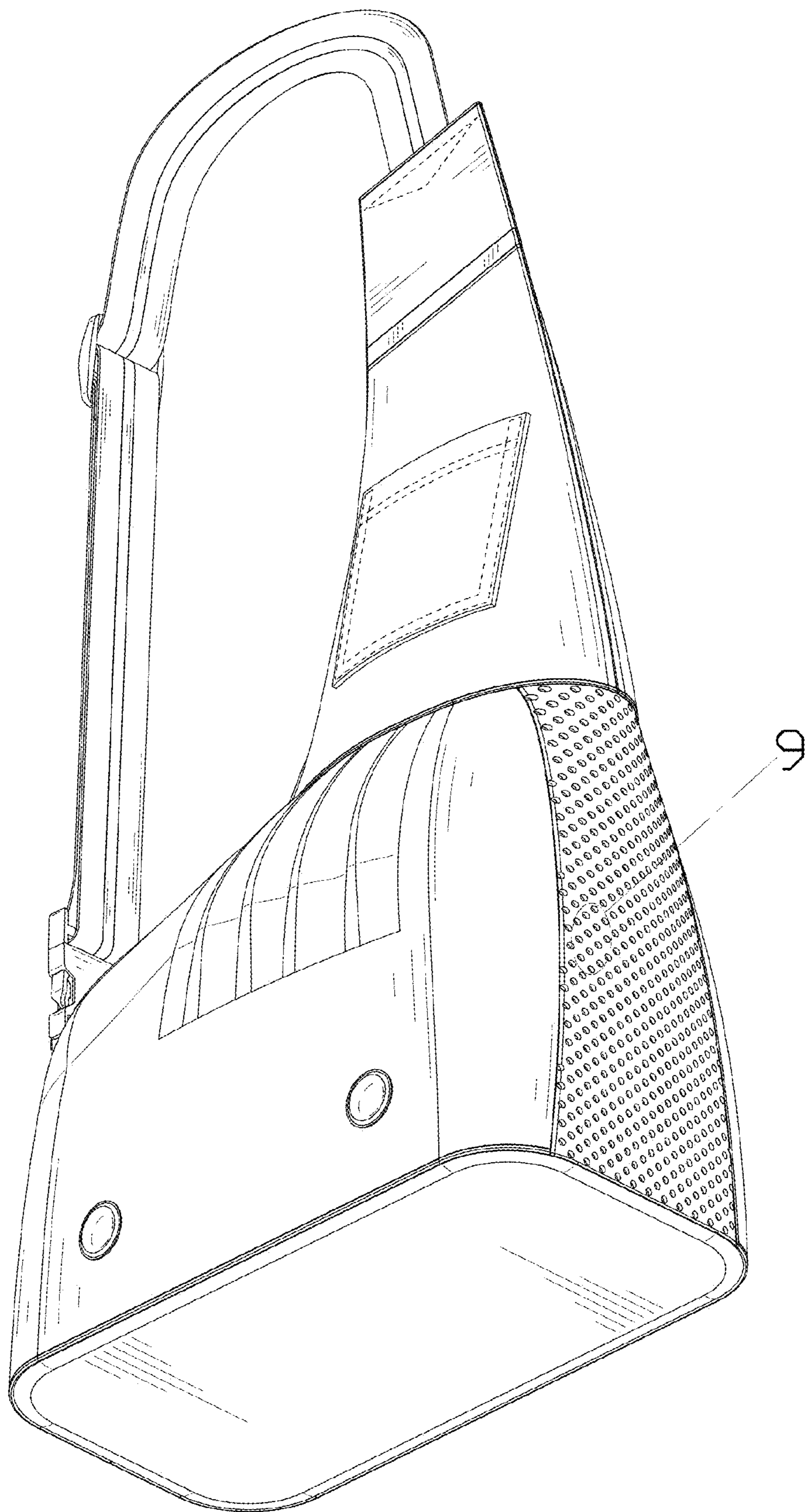


FIG. 2



FIG. 3

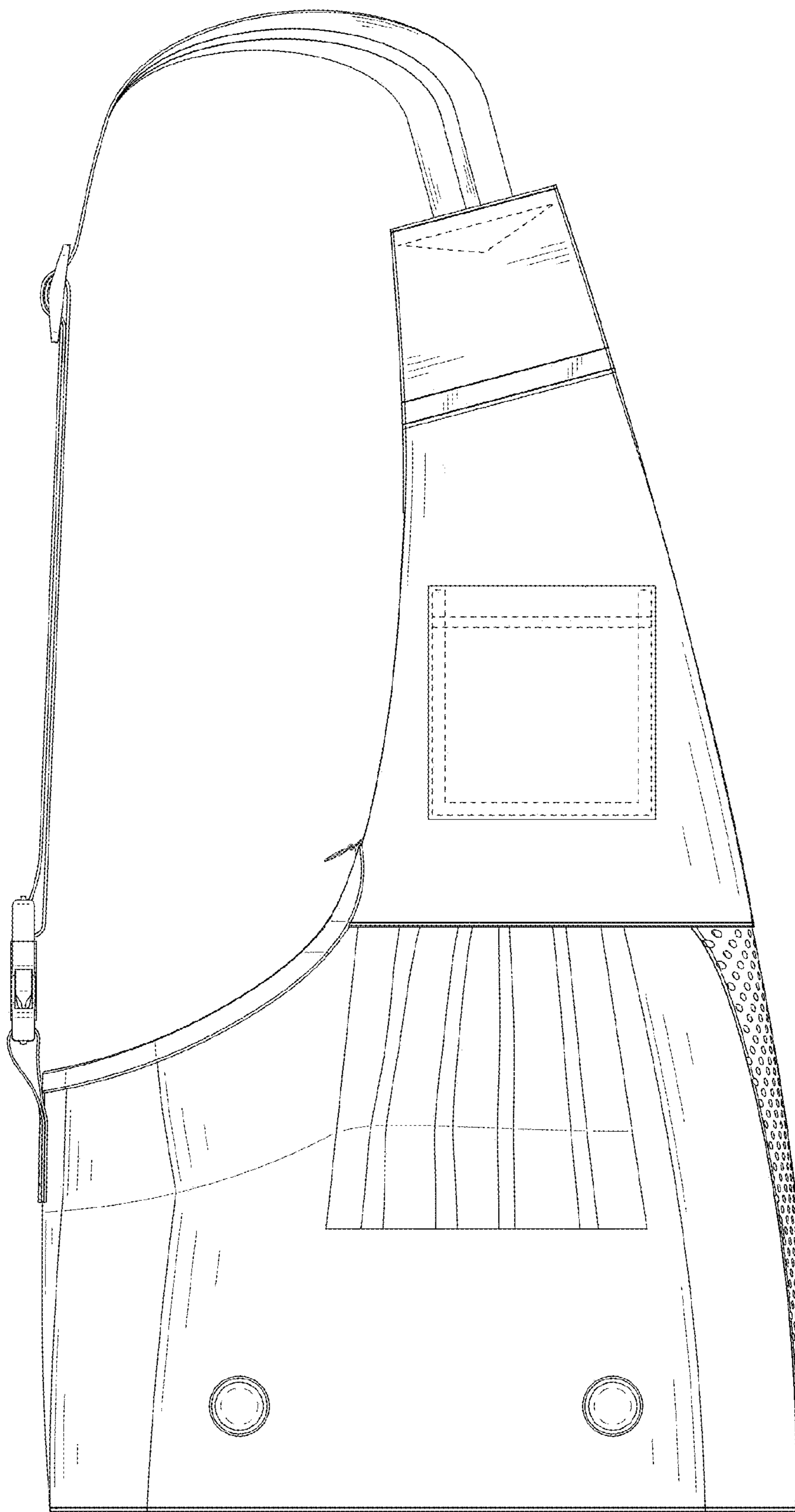


FIG. 4

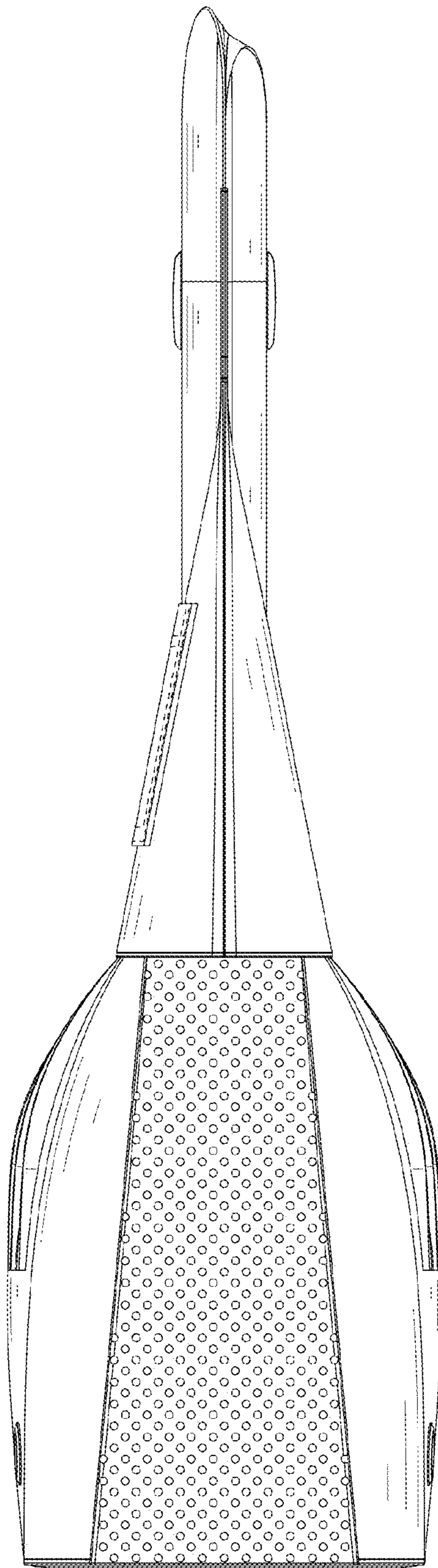


FIG. 5

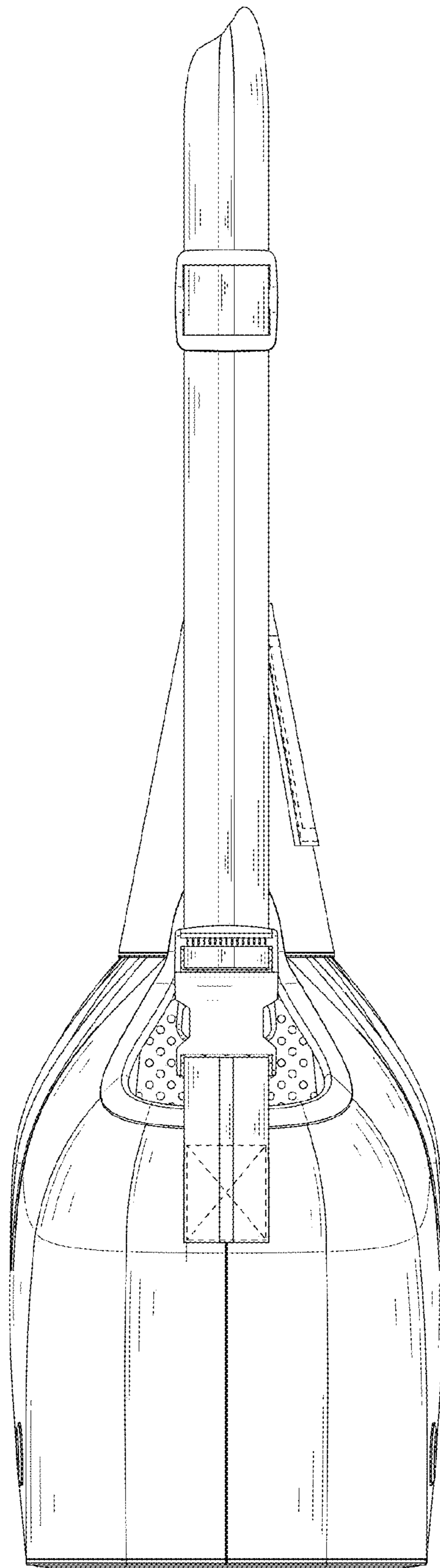


FIG. 6

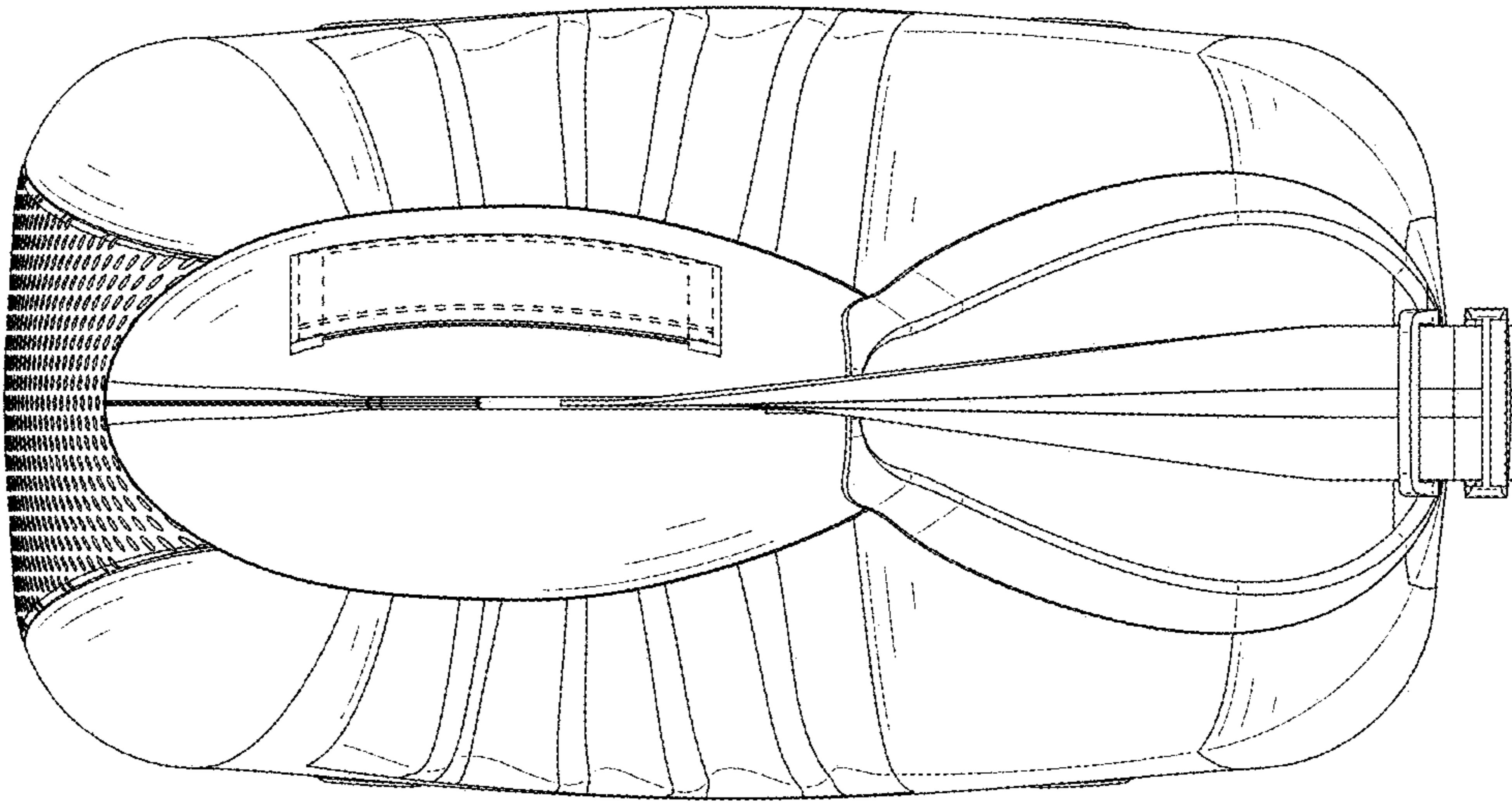


FIG. 7

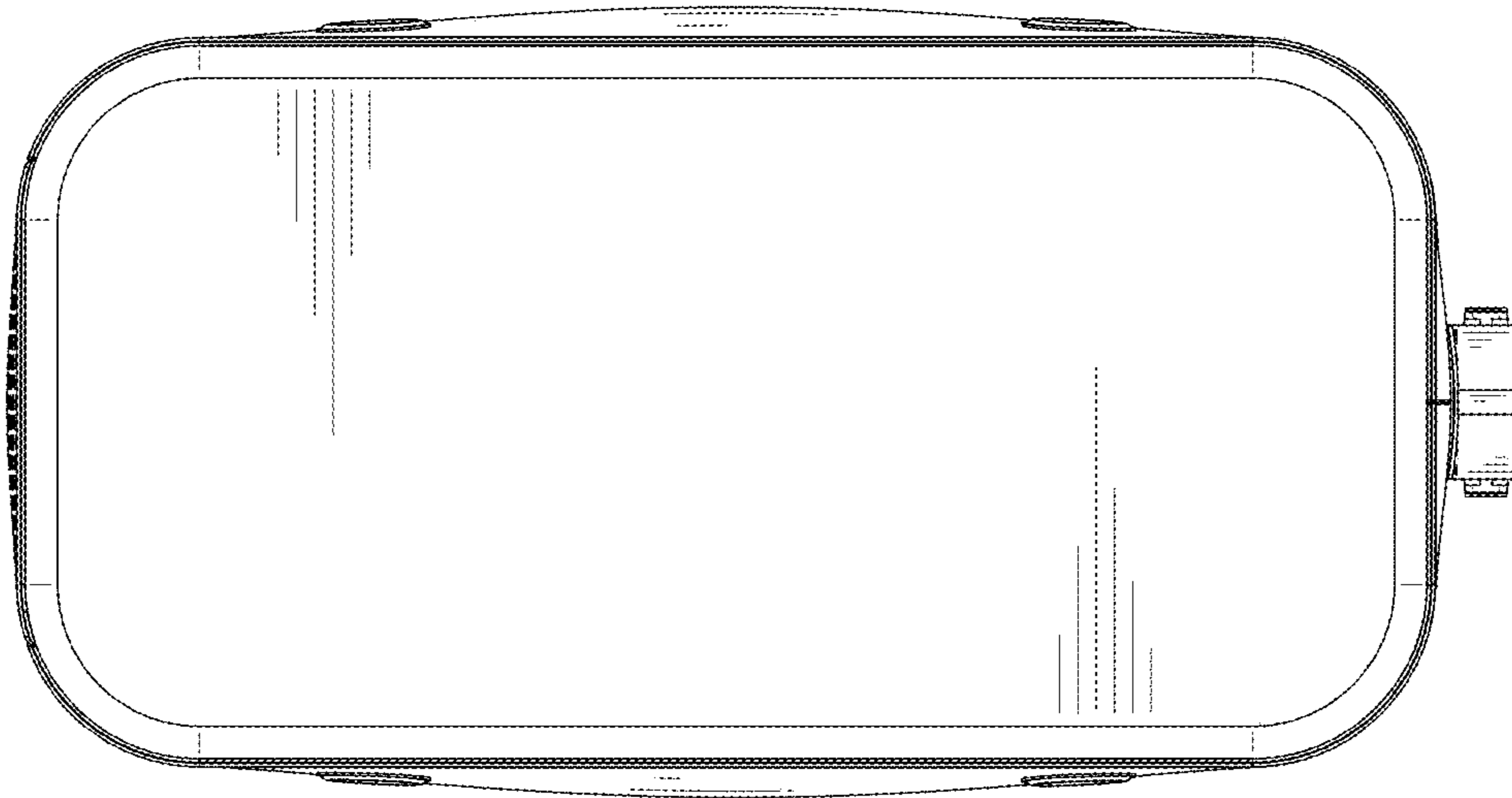


FIG. 8

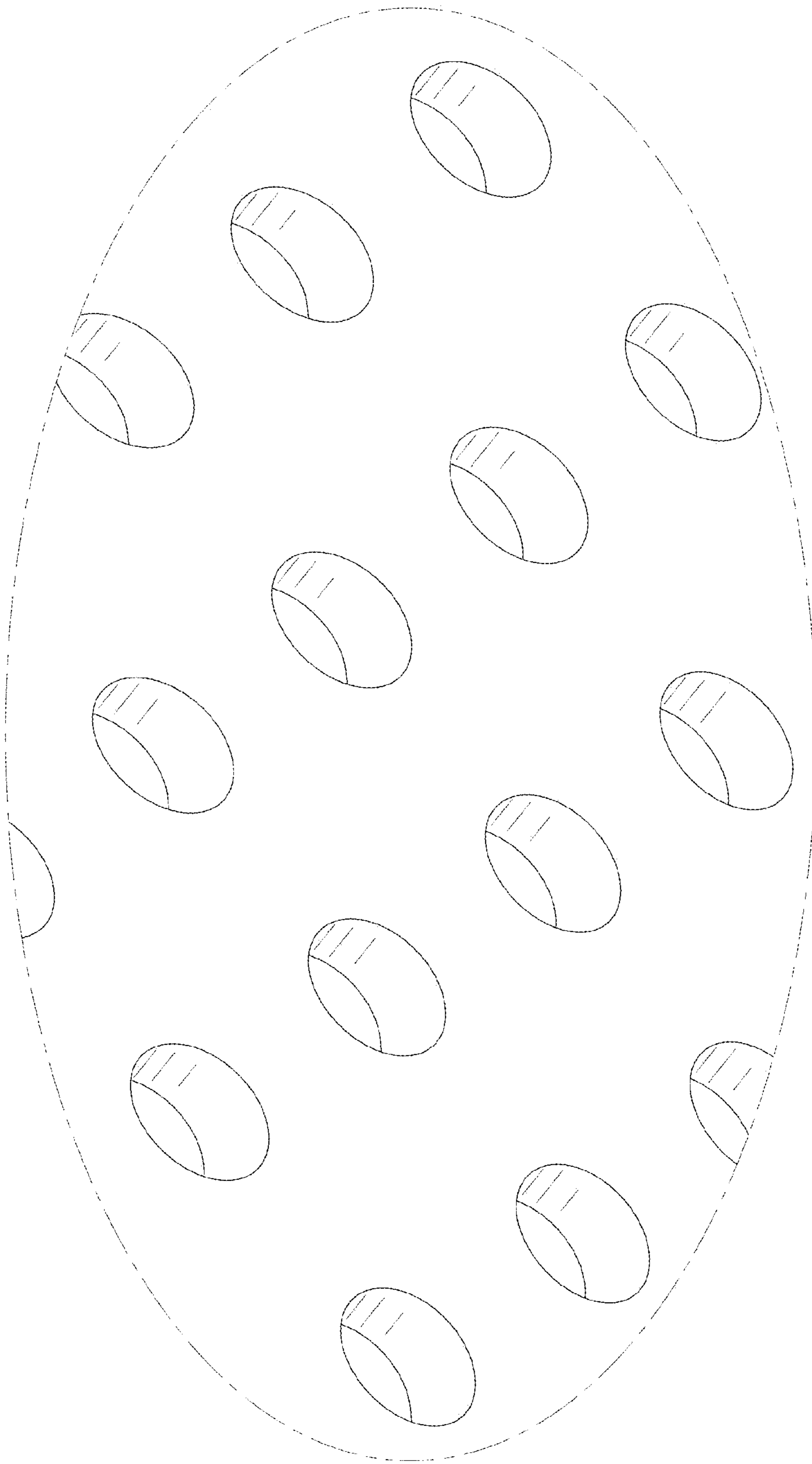


FIG. 9