



US00D982836S

(12) **United States Design Patent**
Salvetti

(10) **Patent No.:** **US D982,836 S**

(45) **Date of Patent:** **** Apr. 4, 2023**

- (54) **REAR SPOILER FOR HELMET**
- (71) Applicant: **NOLANGROUP SPA**, Brembate di Sopra (IT)
- (72) Inventor: **Alberto Salvetti**, Brembate di Sopra (IT)
- (73) Assignee: **NOLANGROUP SPA**, Brembate di Sopra (IT)

8,726,425	B2 *	5/2014	Murakami	A42B 3/0493	2/455
D767,214	S *	9/2016	Shida	D29/122	
D788,995	S *	6/2017	Shida	D29/122	
D838,918	S *	1/2019	Salvetti	D29/107	
D849,328	S *	5/2019	Tang	D29/107	
D859,748	S *	9/2019	Lee	D29/107	
D893,105	S *	8/2020	Amoriello	D29/107	
D916,379	S *	4/2021	Jeon	D29/107	
D916,380	S *	4/2021	Lee	D29/107	
2022/0322778	A1 *	10/2022	Vlasovs	A42B 3/0493	
2022/0361622	A1 *	11/2022	Hartlieb	A42B 3/04	

(**) Term: **15 Years**

- (21) Appl. No.: **29/744,773**
- (22) Filed: **Jul. 31, 2020**
- (51) **LOC (14) Cl.** **02-99**
- (52) **U.S. Cl.**
USPC **D29/122**
- (58) **Field of Classification Search**
USPC D29/122, 102-107
CPC A42B 3/04; A42B 3/0406; A42B 3/0426;
A42B 3/0433; A42B 3/044; A42B
3/0453; A42B 3/0493; A42B 3/163; A42B
3/28; A42B 3/283
See application file for complete search history.

(56) **References Cited**

U.S. PATENT DOCUMENTS

D250,496	S *	12/1978	Odell	D29/122
D457,274	S *	5/2002	Taniuchi	D29/102
D457,691	S *	5/2002	Taniuchi	D29/102
D458,415	S *	6/2002	Taniuchi	D29/102
D460,219	S *	7/2002	Taniuchi	D29/102
D476,779	S *	7/2003	Tanaka	D29/122
D617,957	S *	6/2010	Isobe	D29/122
D621,551	S *	8/2010	Isobe	D29/107
D627,520	S *	11/2010	Choi	D29/107
D645,619	S *	9/2011	Corey	D29/104
D673,734	S *	1/2013	Hwang	D29/107
D696,464	S *	12/2013	Hwang	D29/107
D696,465	S *	12/2013	Hwang	D29/107

OTHER PUBLICATIONS

New X-lite X-803 RS Ultra Carbon motorcycle helmet (on-line), dated Dec. 9, 2019. Retrieved from Internet Dec. 20, 2022, URL: <https://www.motocard.com/en/blog/reviews/helmets/x-lite-x-803-rs-ultra-carbon-motorcycle-helmet-opinions-price/> (4 pages) (Year: 2019).*

X-Lite X803 RS Carbon 2022 Hot Lap Removable Spoiler (on-line), no date available. Retrieved from Internet Dec. 20, 2022, URL: <https://www.ebay.com/itm/123967428435> (1 page).*

* cited by examiner

Primary Examiner — Kimberly Barnes

(74) *Attorney, Agent, or Firm* — Lucas & Mercanti, LLP

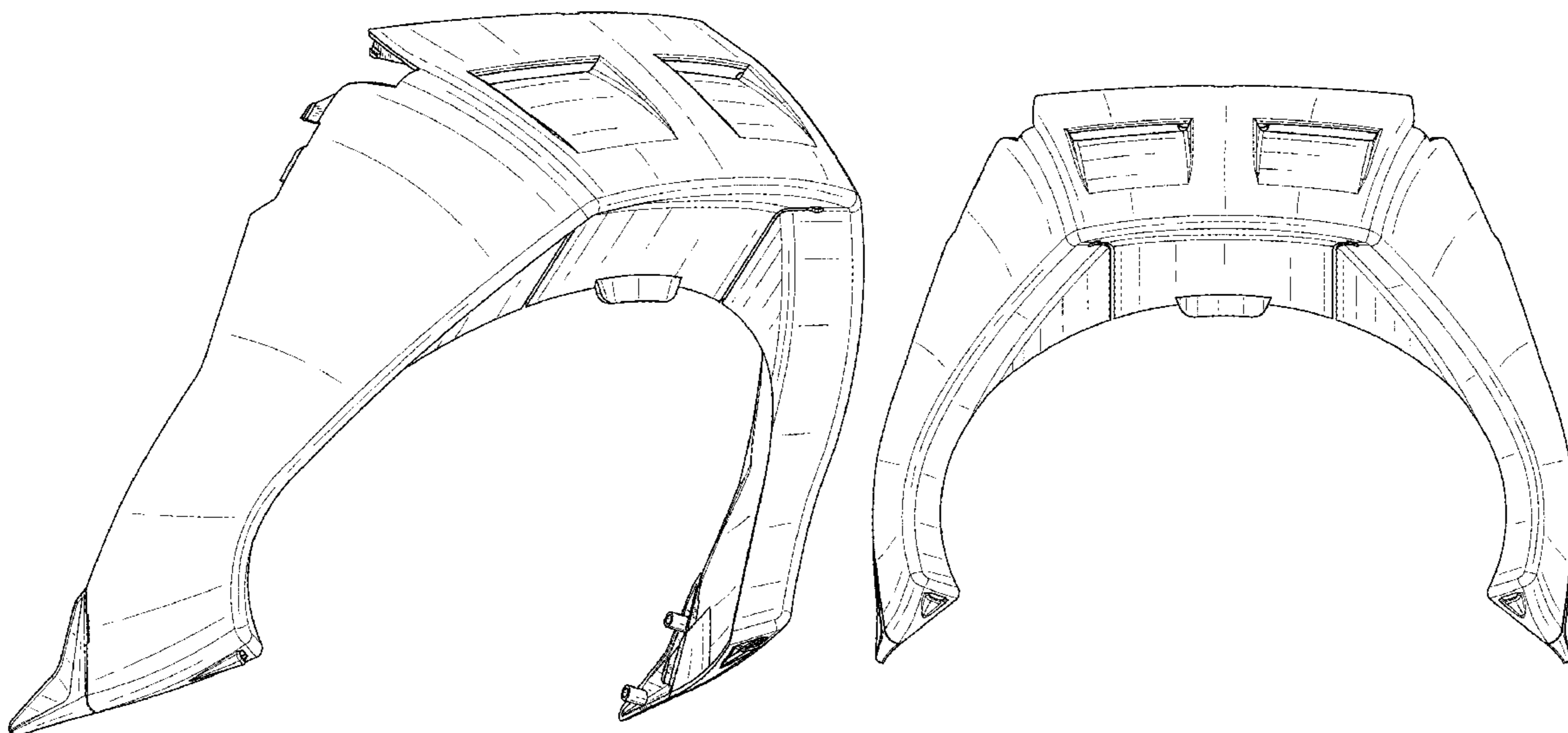
(57) **CLAIM**

The ornamental design for a rear spoiler for helmet, as shown and described.

DESCRIPTION

FIG. 1 is a left side perspective view of a rear spoiler for helmet showing my new design;
 FIG. 2 is rear perspective view thereof;
 FIG. 3 is a left side view thereof;
 FIG. 4 is a right side view thereof;
 FIG. 5 is a rear view thereof;
 FIG. 6 is a front view thereof;
 FIG. 7 is a top view thereof; and,
 FIG. 8 is a bottom view thereof.

1 Claim, 8 Drawing Sheets



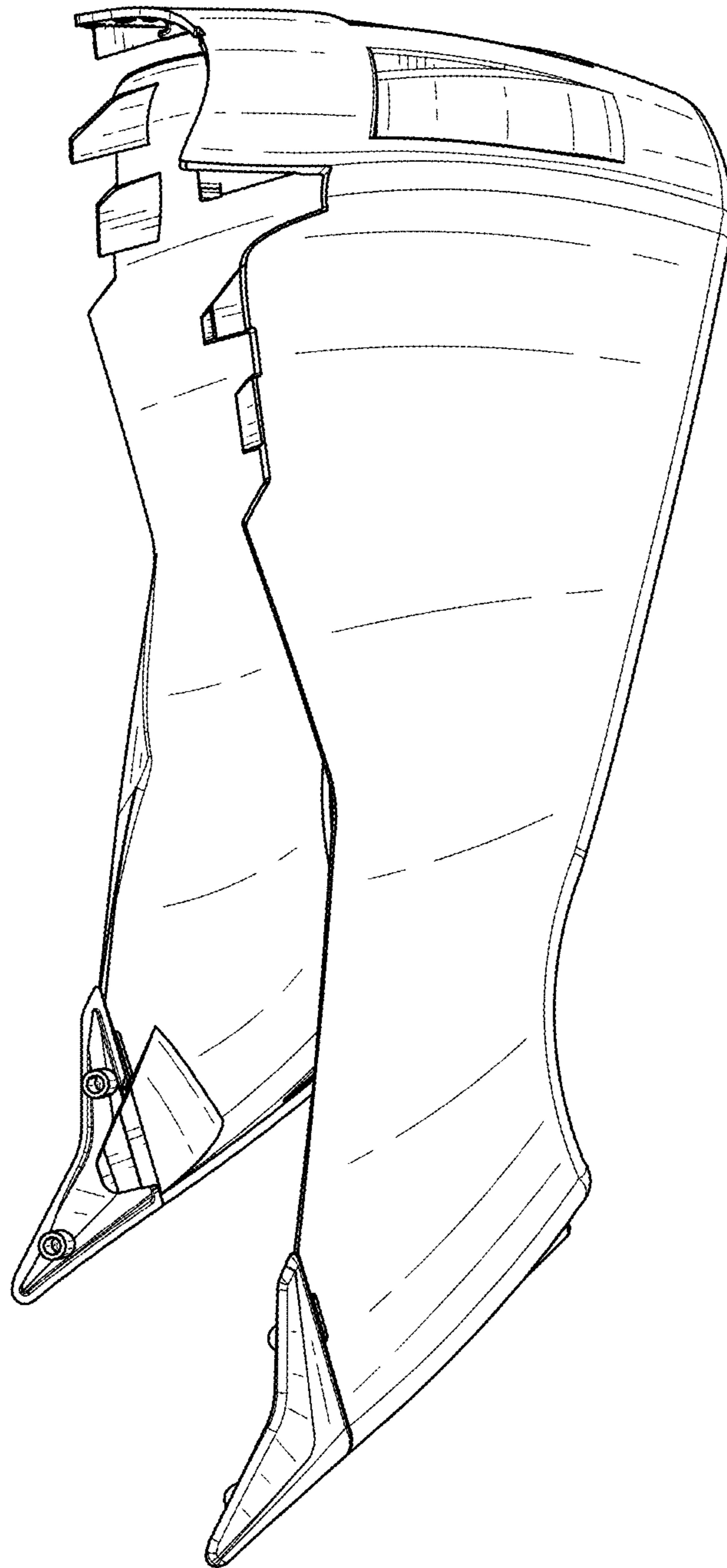


FIG. 1

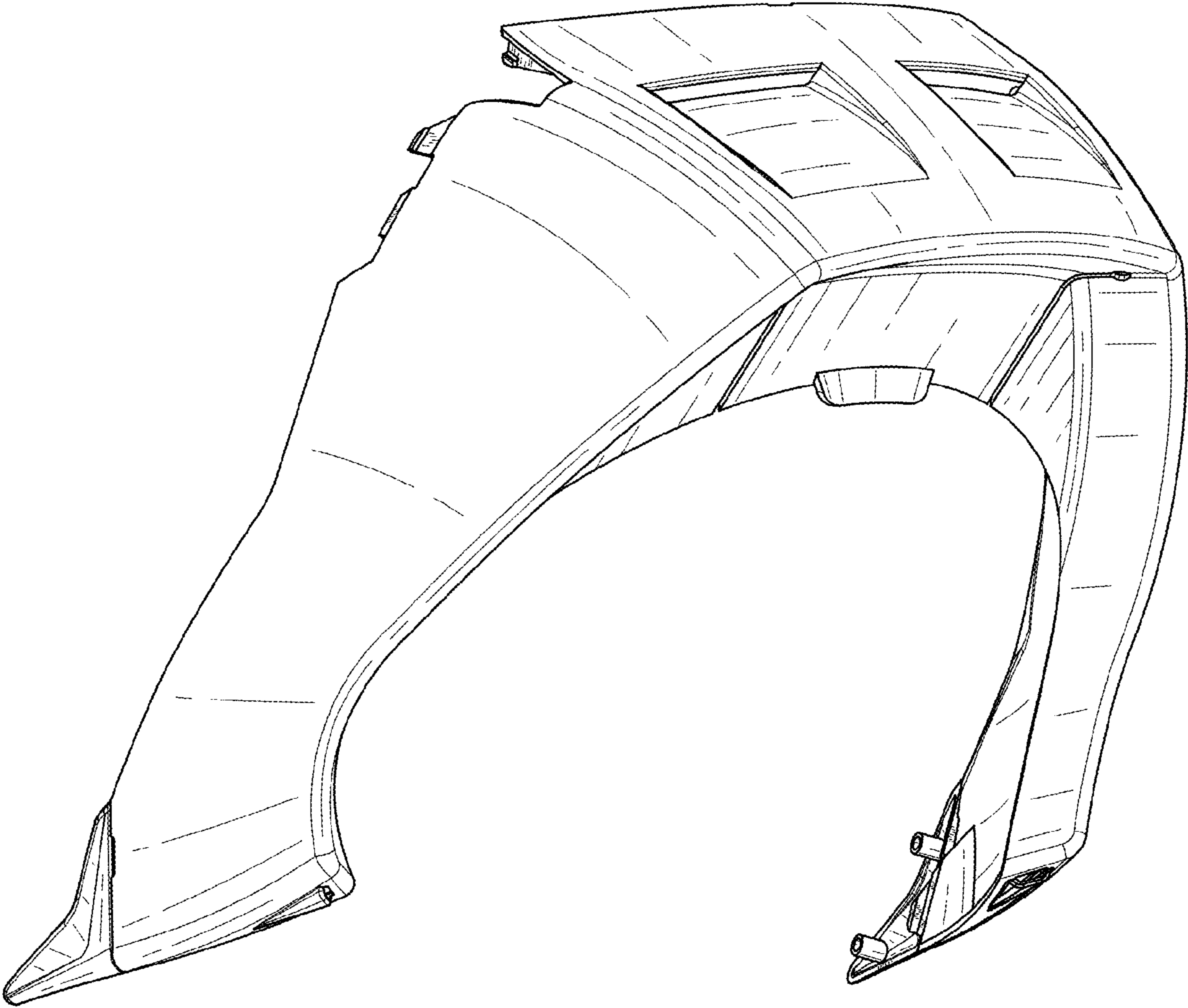


FIG. 2

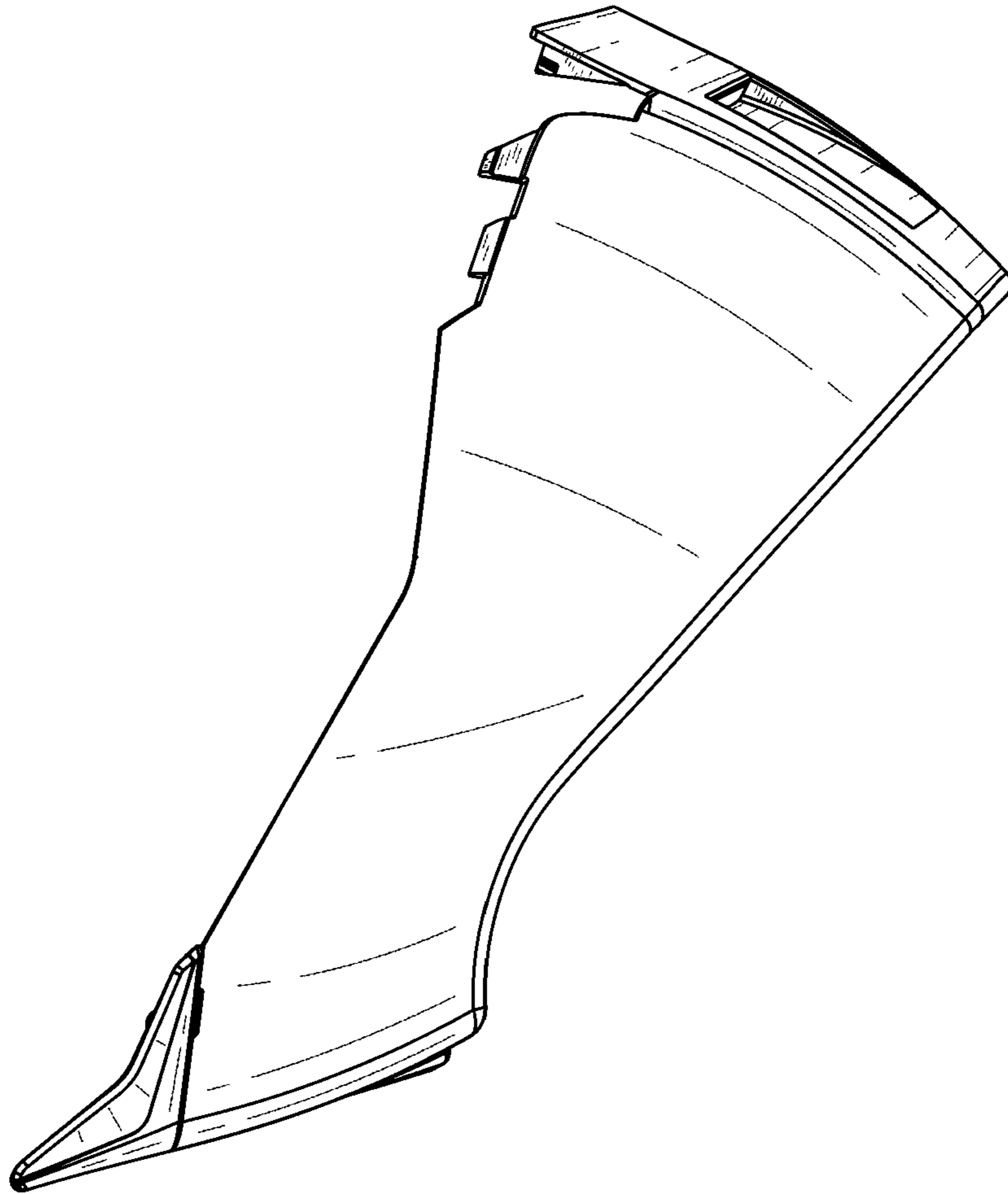


FIG. 3

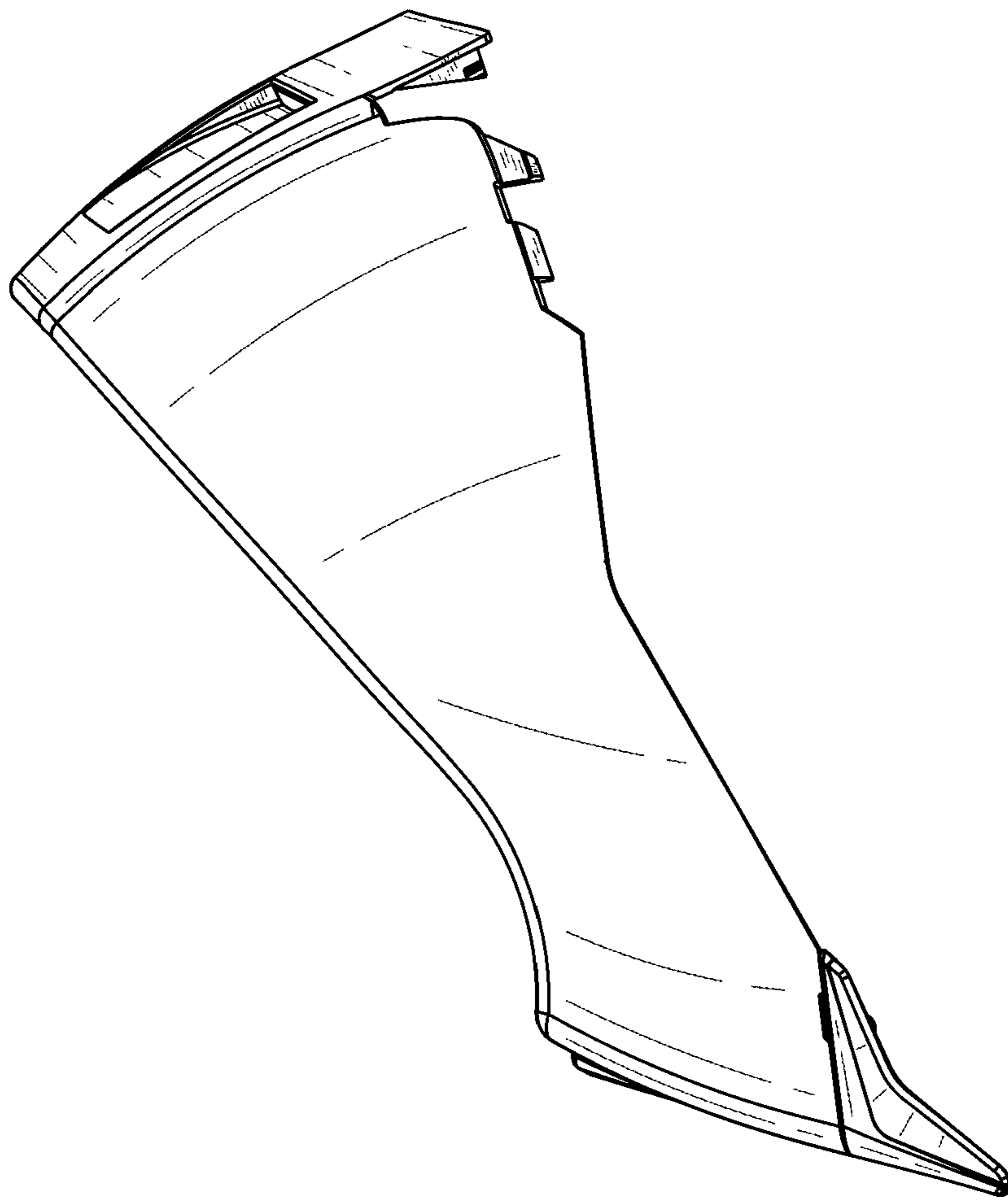


FIG. 4

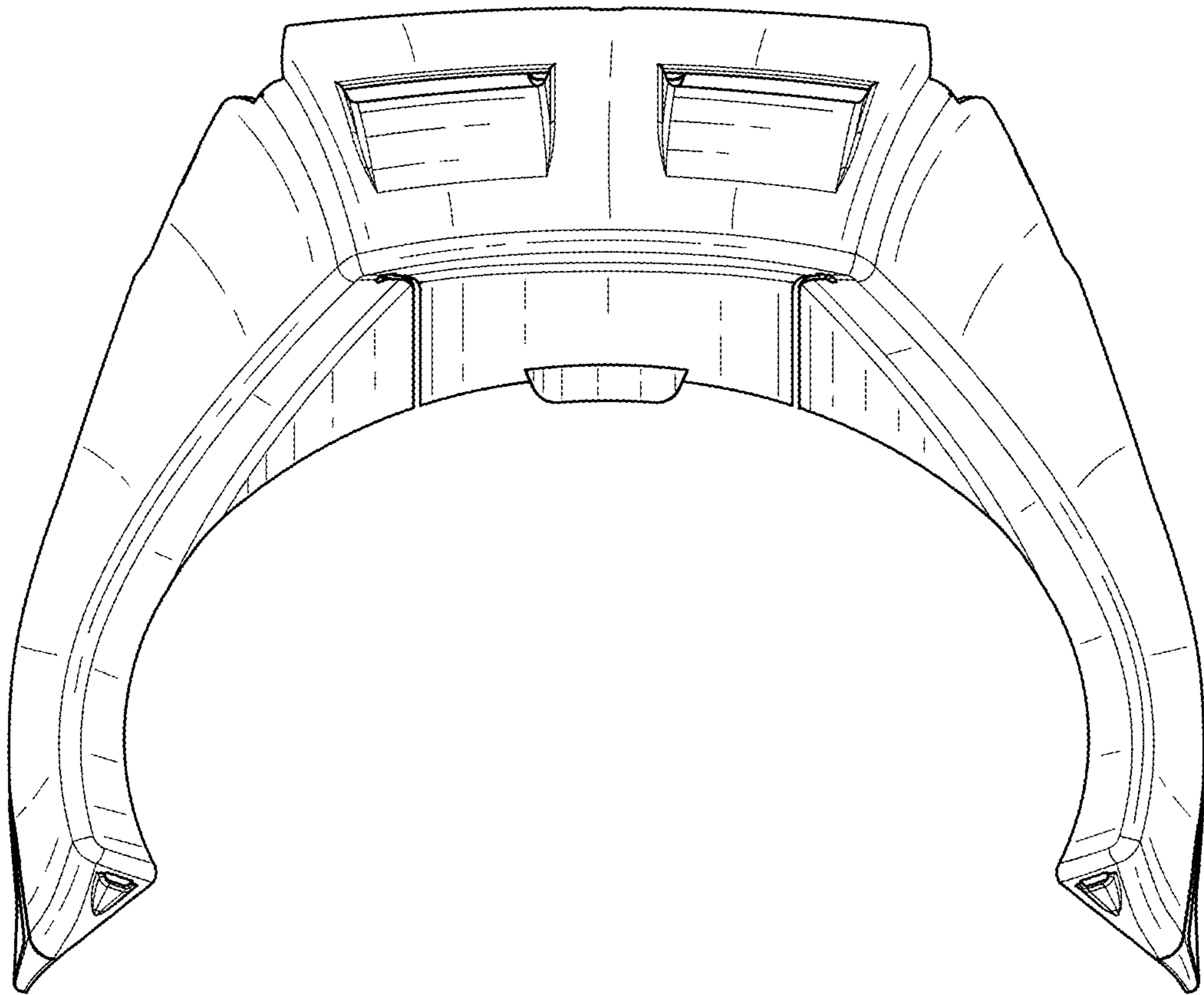


FIG. 5

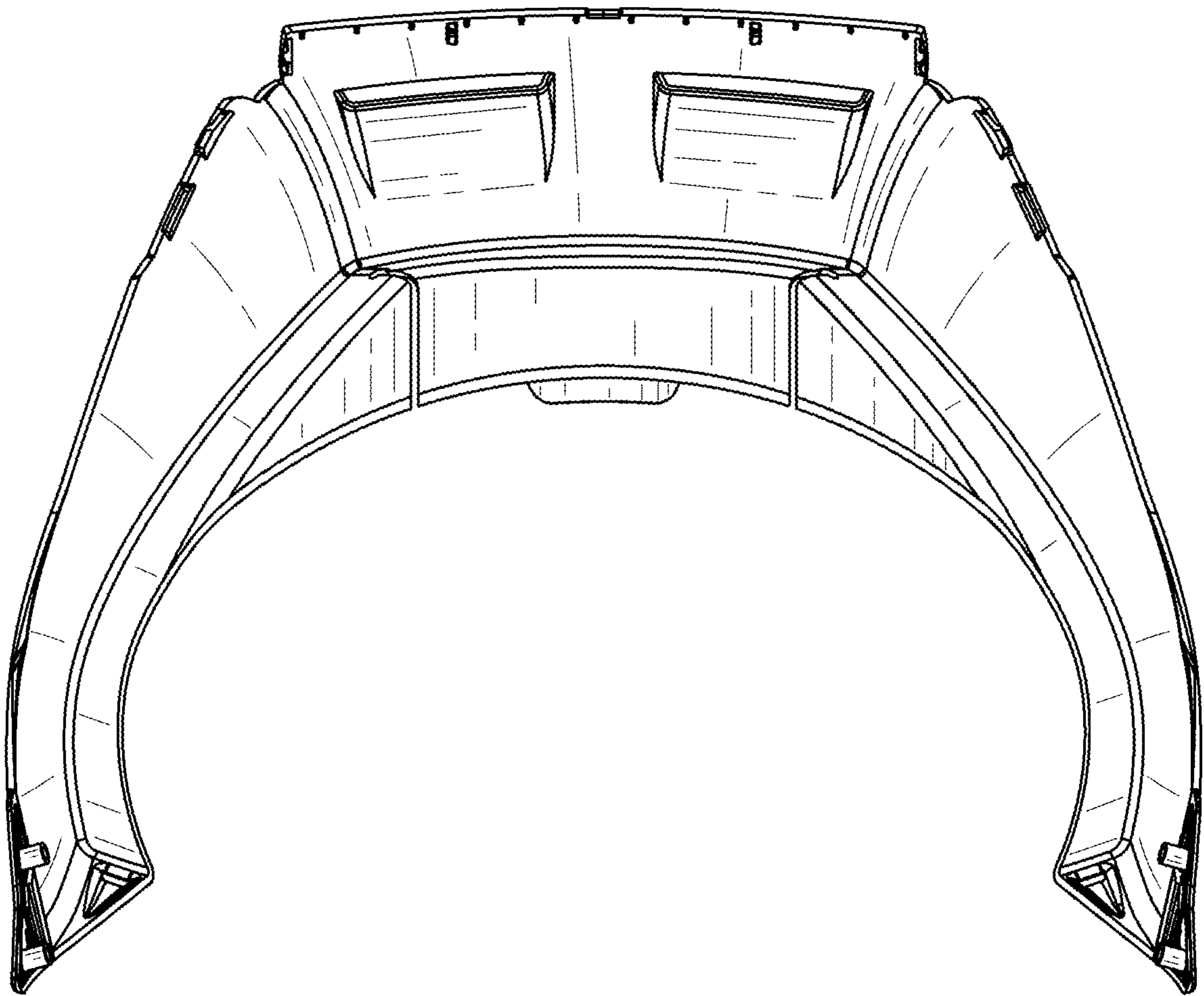


FIG. 6

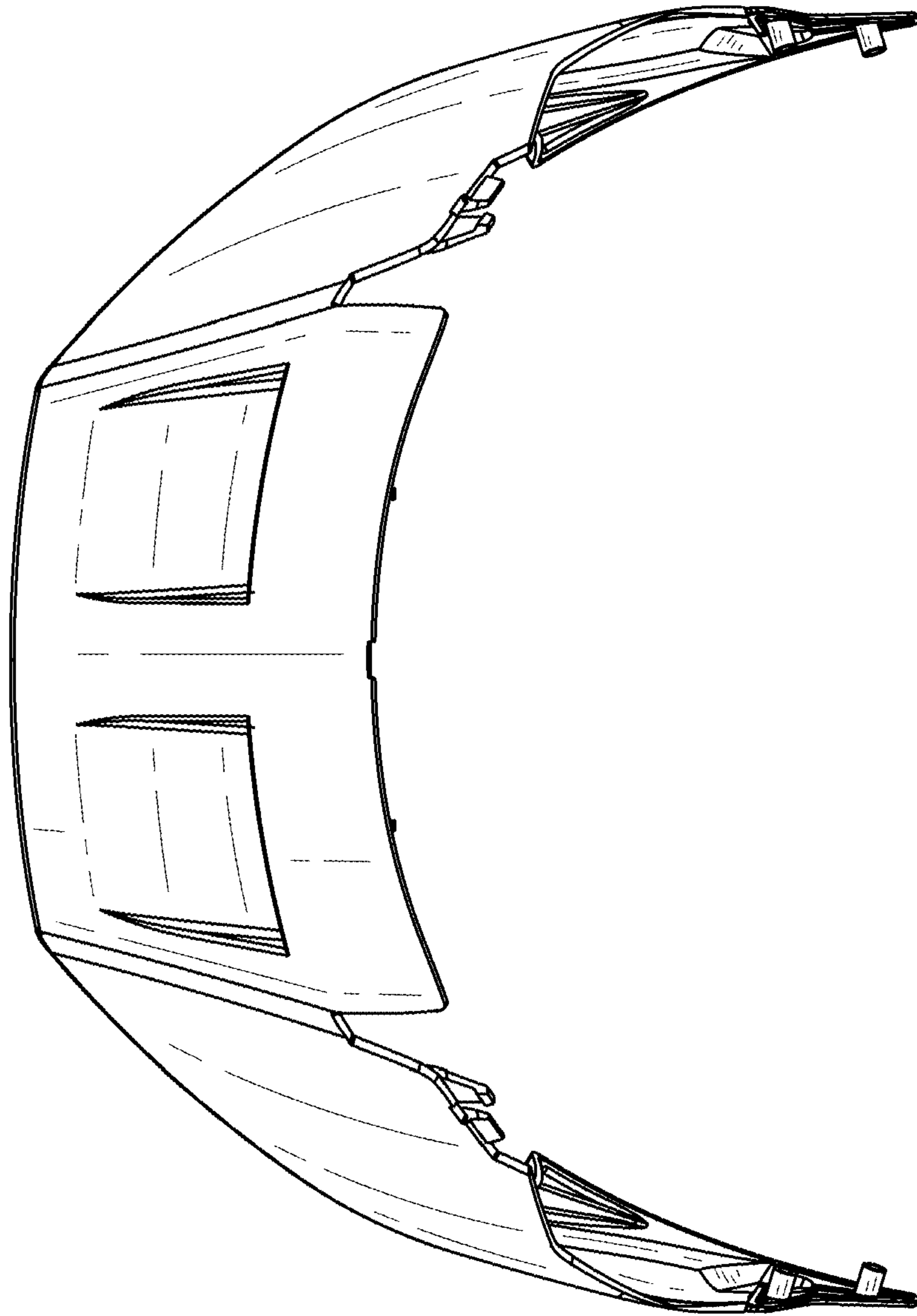


FIG. 7

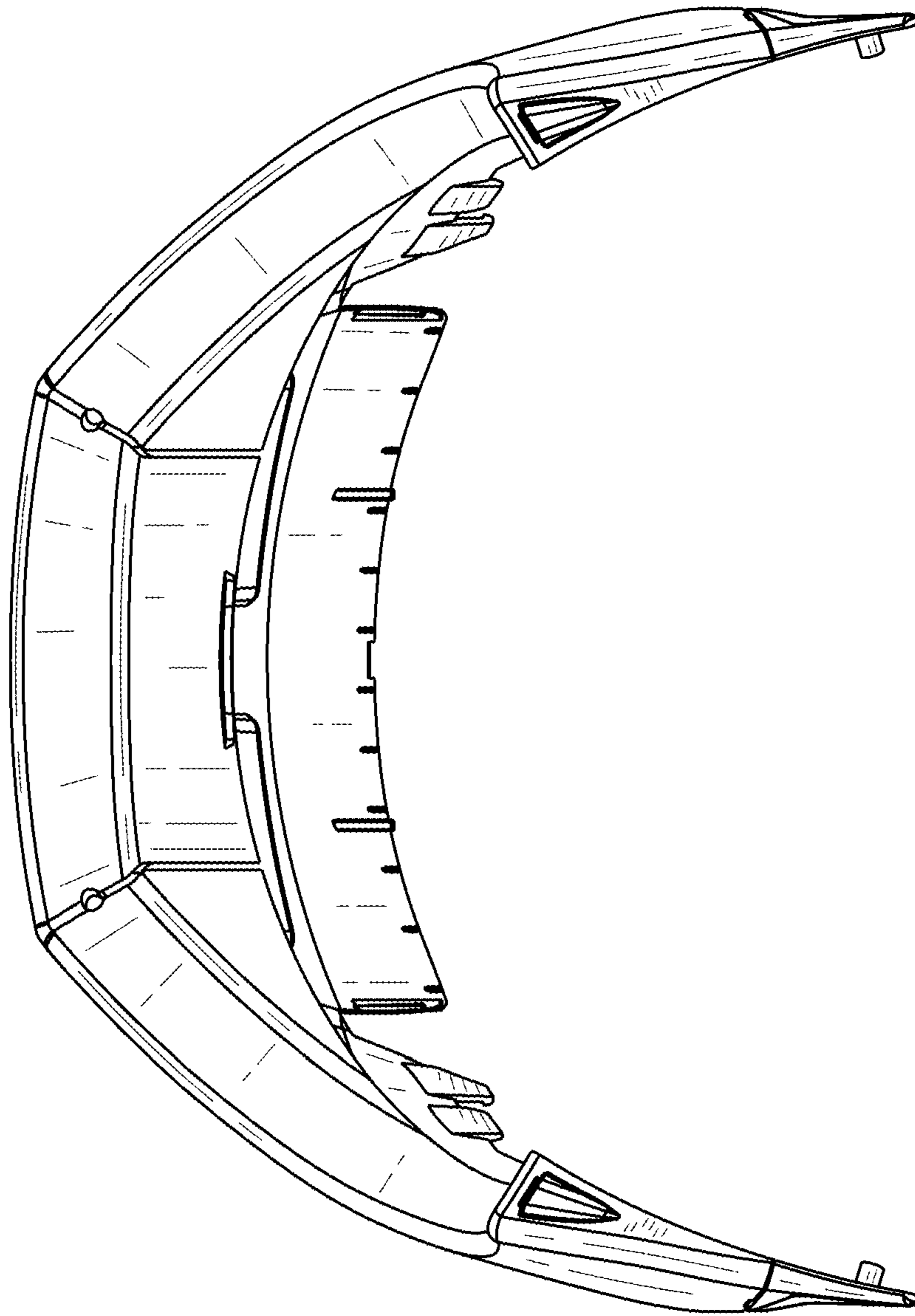


FIG. 8