



US00D982834S

(12) **United States Design Patent** (10) **Patent No.:** **US D982,834 S**
Ge (45) **Date of Patent:** **** Apr. 4, 2023**

(54) **HAIR EXTENSION MACHINE**

(71) Applicant: **Xiang Ge**, Bengbu (CN)

(72) Inventor: **Xiang Ge**, Bengbu (CN)

(**) Term: **15 Years**

(21) Appl. No.: **29/839,935**

(22) Filed: **May 25, 2022**

(30) **Foreign Application Priority Data**

Dec. 31, 2021 (CN) 202130882248.6

(51) **LOC (14) Cl.** **28-03**

(52) **U.S. Cl.**
USPC **D28/92**

(58) **Field of Classification Search**
USPC D28/92, 10, 18, 39, 73; D22/104, 105,
D22/117; D27/18, 148
CPC .. A41G 5/0086; A41G 5/0046; A41G 5/0053;
A41G 5/0073; A41G 5/00
See application file for complete search history.

(56) **References Cited**

U.S. PATENT DOCUMENTS

4,843,336 A * 6/1989 Kuo F41H 13/0087
340/521
D305,157 S * 12/1989 Kim D28/15
D542,970 S * 5/2007 Park
D688,769 S * 8/2013 Lord D22/117
D794,248 S * 8/2017 Tokko
D808,487 S * 1/2018 Beville D22/104
D815,233 S * 4/2018 Toner D22/104

D816,899 S 5/2018 Duan
D830,480 S * 10/2018 Chu D21/574
D846,038 S * 4/2019 Lin D22/104
D854,642 S * 7/2019 Shinkle D22/104
D861,692 S * 10/2019 Memke D14/428
D868,365 S * 11/2019 Kassir D27/141
D868,923 S * 12/2019 Toner D22/104
D879,236 S * 3/2020 Arshad D22/117
D899,551 S * 10/2020 Chiang D22/117
D932,690 S 10/2021 Jin et al.
D933,772 S * 10/2021 Sroufe D22/104
D940,392 S * 1/2022 Shami D28/13
D953,469 S * 5/2022 Cavanaugh D22/104
D955,040 S * 6/2022 Jin D28/13

* cited by examiner

Primary Examiner — Rebecca Tsehaye

(74) *Attorney, Agent, or Firm* — Runit Ranjit Kanakia

(57) **CLAIM**

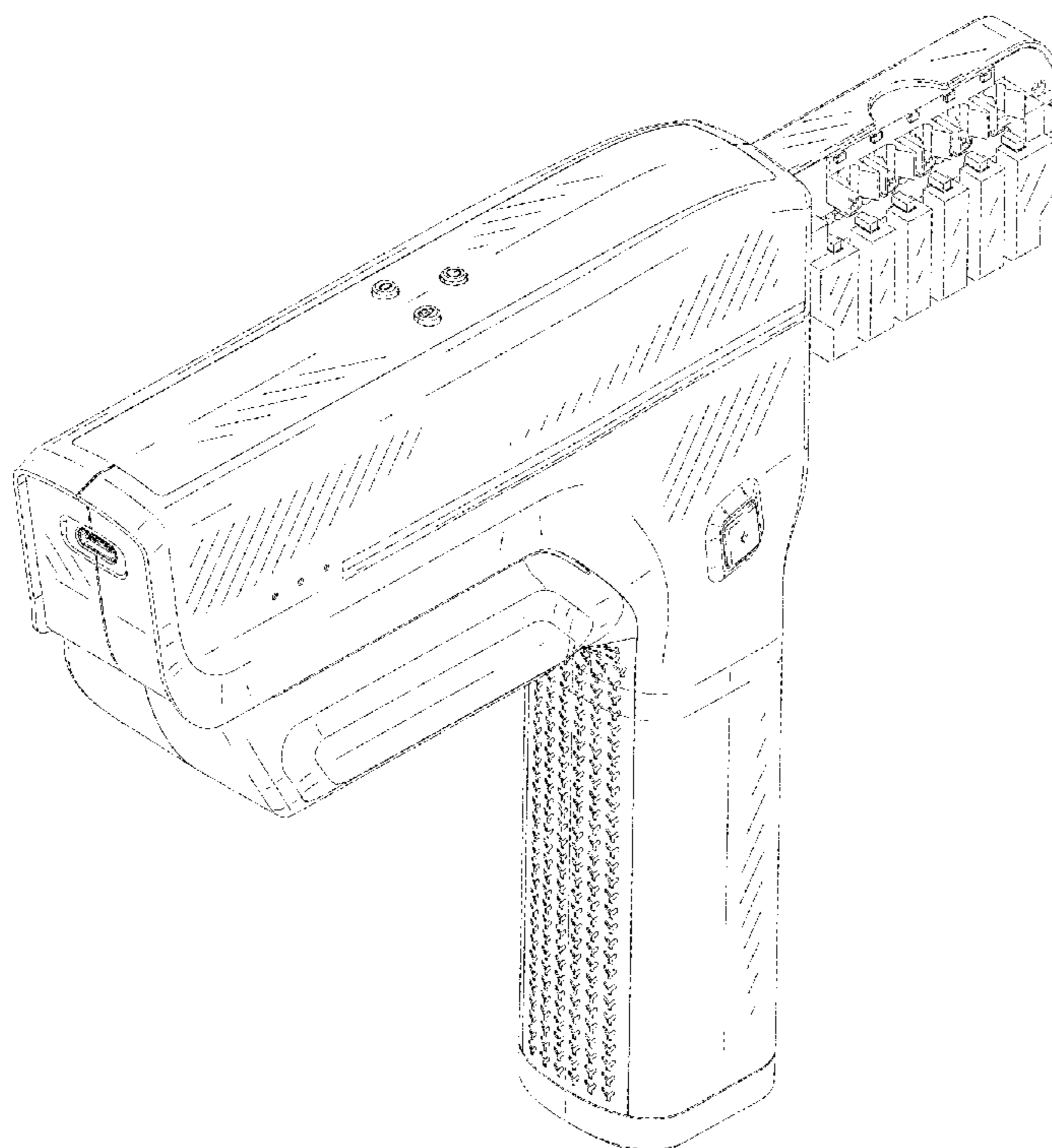
The ornamental design for a hair extension machine, as shown and described.

DESCRIPTION

FIG. 1 is a front perspective view of a hair extension machine showing my new design;
FIG. 2 is a front view thereof;
FIG. 3 is a rear view thereof;
FIG. 4 is a left side view thereof;
FIG. 5 is a right side view thereof;
FIG. 6 is a top view thereof; and,
FIG. 7 is a bottom view thereof.

The broken lines in the drawings depict portions of the hair extension machine that form no part of the claimed design.

1 Claim, 7 Drawing Sheets



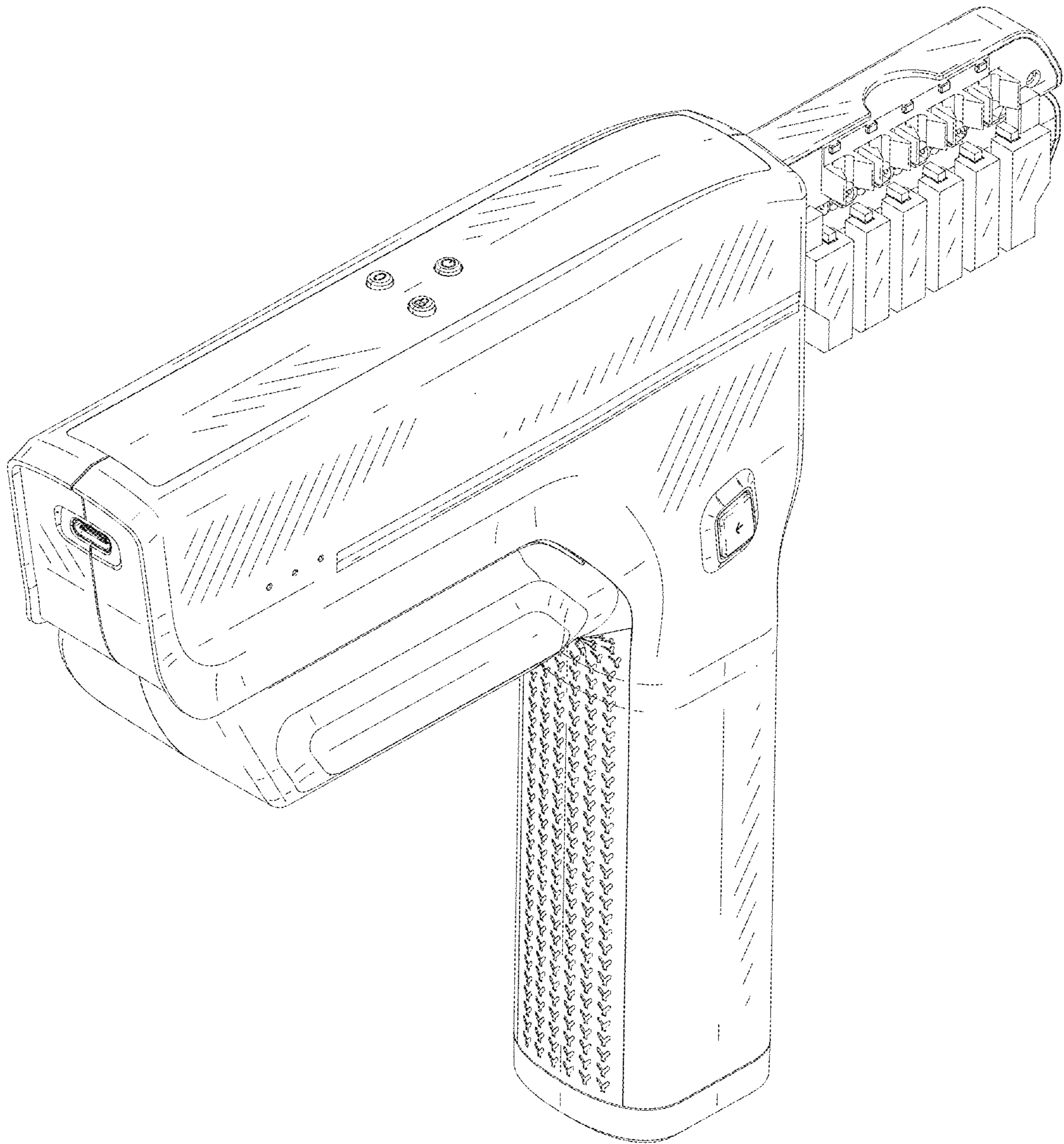


FIG. 1

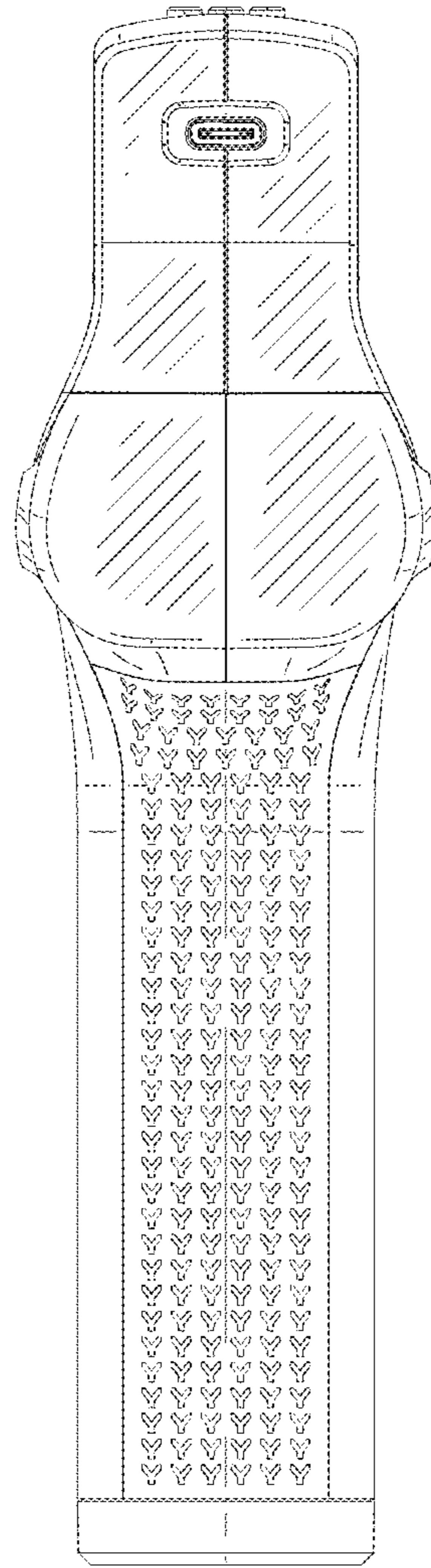


FIG. 2

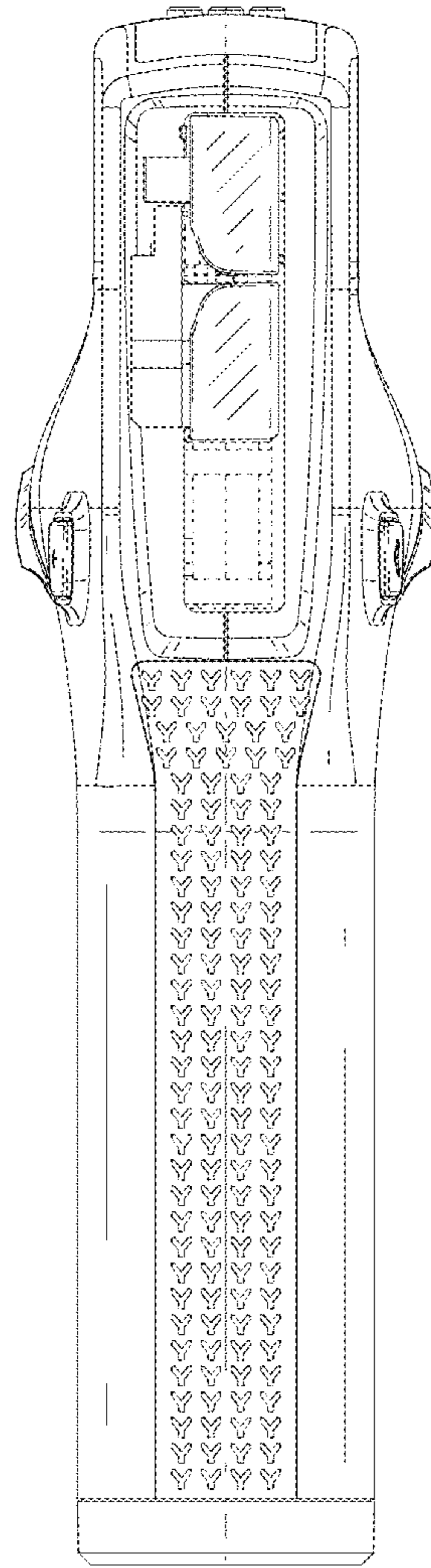


FIG. 3

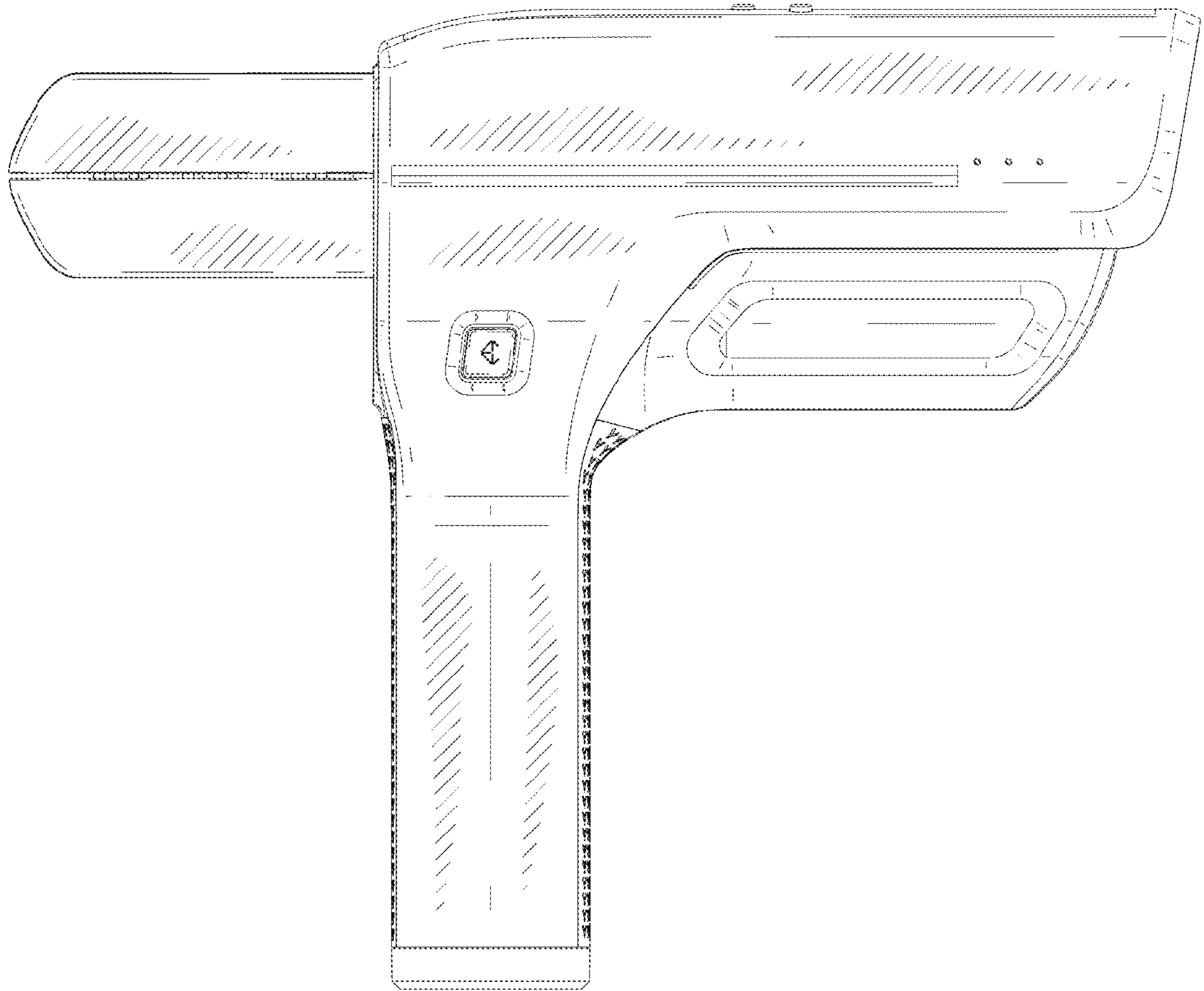


FIG. 4

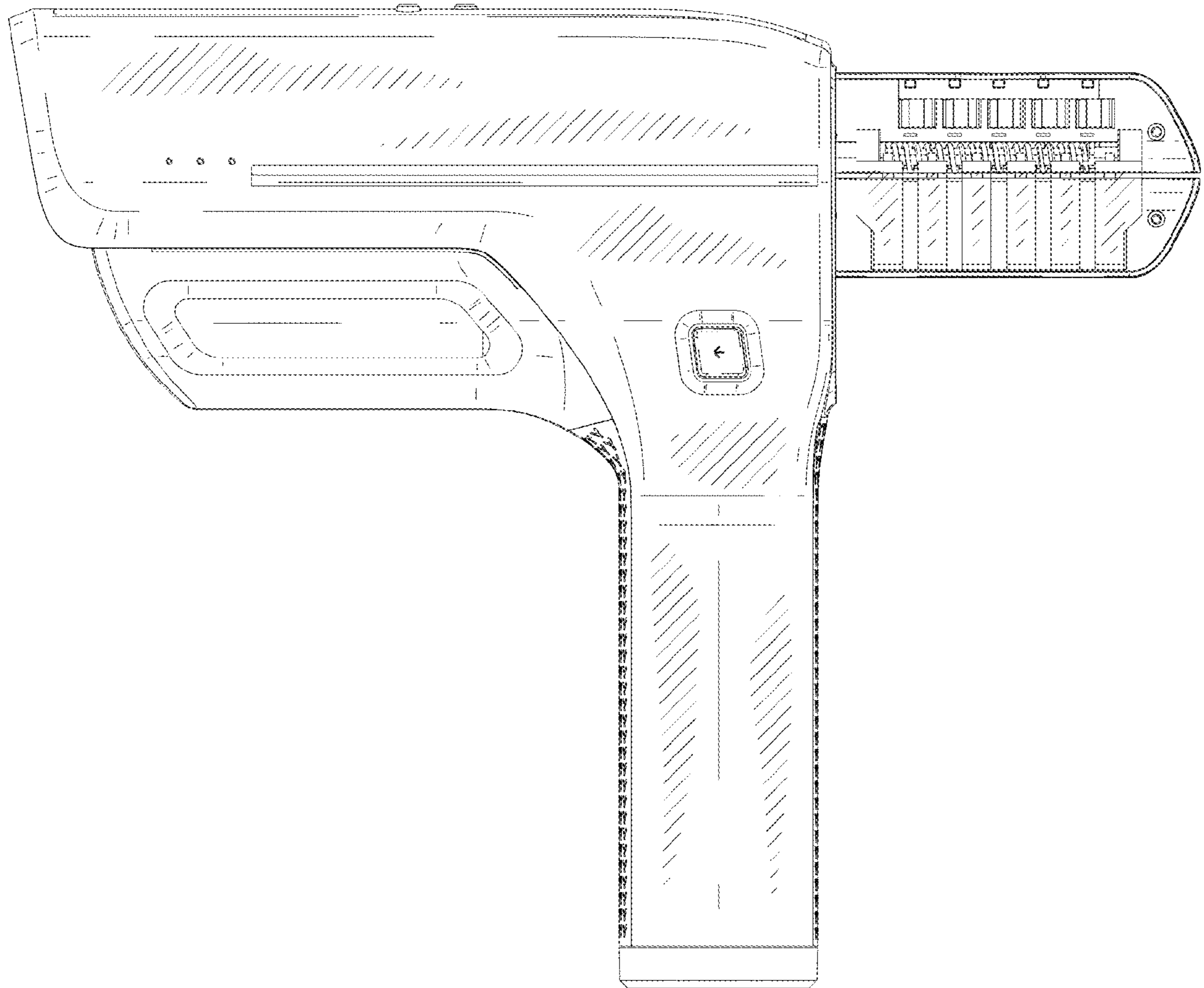


FIG. 5

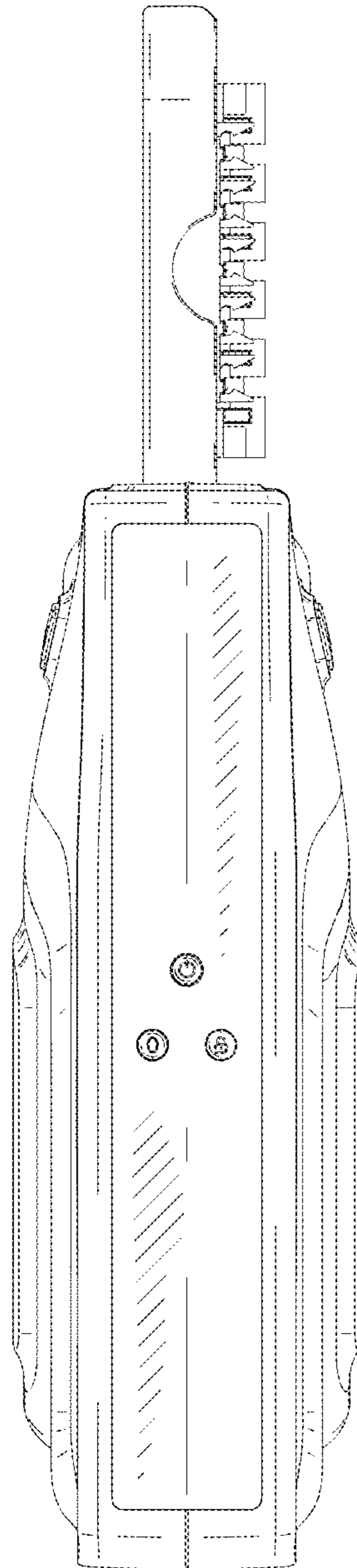


FIG. 6

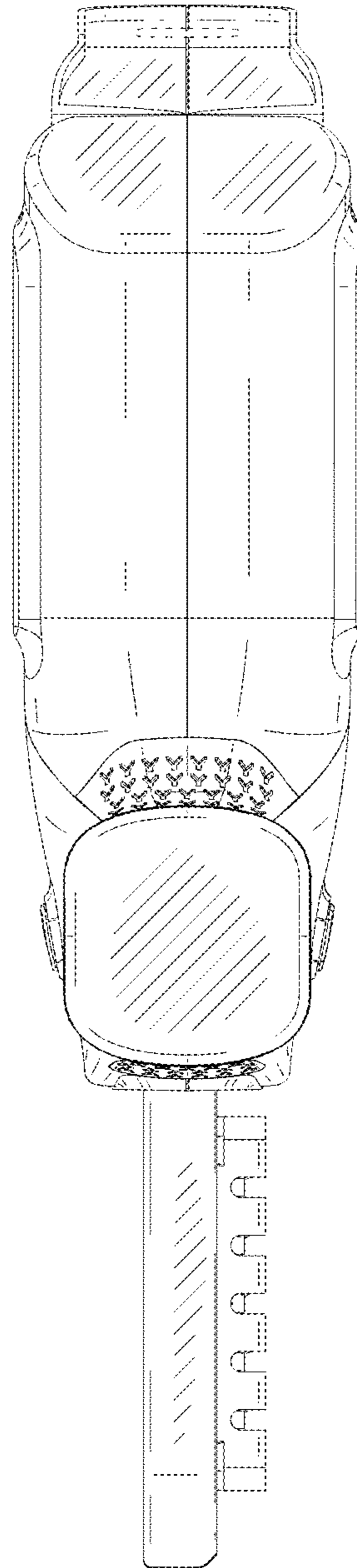


FIG. 7