



US00D982825S

(12) **United States Design Patent**
Ormaza

(10) **Patent No.:** **US D982,825 S**

(45) **Date of Patent:** **** Apr. 4, 2023**

- (54) **SMOKING STORAGE CONTAINER**
- (71) Applicant: **Manuel Ormaza**, Miami, FL (US)
- (72) Inventor: **Manuel Ormaza**, Miami, FL (US)
- (**) Term: **15 Years**
- (21) Appl. No.: **29/711,896**
- (22) Filed: **Nov. 4, 2019**
- (51) **LOC (14) Cl.** **27-06**
- (52) **U.S. Cl.**
USPC **D27/191**; D9/524
- (58) **Field of Classification Search**
USPC D9/500–505, 519, 521, 529, 537,
D9/544–546, 549, 550, 556, 573–575,
D9/682, 688, 690, 767, 772, 777, 783,
D9/689, 520, 551, 552, 558, 557, 516,
D9/524; D28/7, 85, 86; D7/509–511,
D7/523, 513; D27/110, 144, 172, 183,
D27/185, 186, 189, 190, 191
CPC B21D 51/26; B21D 51/2615; B21D 22/28;
B65D 1/0246; B65D 41/04; F25D 3/08
See application file for complete search history.

(56) **References Cited**

U.S. PATENT DOCUMENTS

- 1,933,538 A * 11/1933 Brazelton A45D 40/24
401/35
- D185,388 S * 6/1959 Peters 206/229
- D342,586 S * 12/1993 Lobo D28/86
- D356,232 S * 3/1995 Armstrong D27/186
- 5,398,827 A * 3/1995 Armstrong B65D 5/5038
215/6
- D383,495 S * 9/1997 Mollet D27/186
- D535,054 S * 1/2007 Zilberman D27/189
- D541,165 S * 4/2007 Rashid D27/190

- D822,898 S * 7/2018 Ruiz B65D 5/5038
D27/191
- D922,680 S * 6/2021 Kurthy D27/183
- D957,730 S * 7/2022 Feldman D27/172

FOREIGN PATENT DOCUMENTS

GB 2074504 * 10/1998

OTHER PUBLICATIONS

Dean Gray, Mar. 1, 2010, elighters.com/Visol Bacuit Stainless Steel Dual Cigar Case—Free Engraving, URL: <https://www.elighters.com/vcase2007.html#reviewdisplayhere> (Year: 2010).*

* cited by examiner

Primary Examiner — Brett Miller
Assistant Examiner — Rani J Abdallah
(74) *Attorney, Agent, or Firm* — Sanchelima & Associates, P.A.; Christian Sanchelima; Jesus Sanchelima

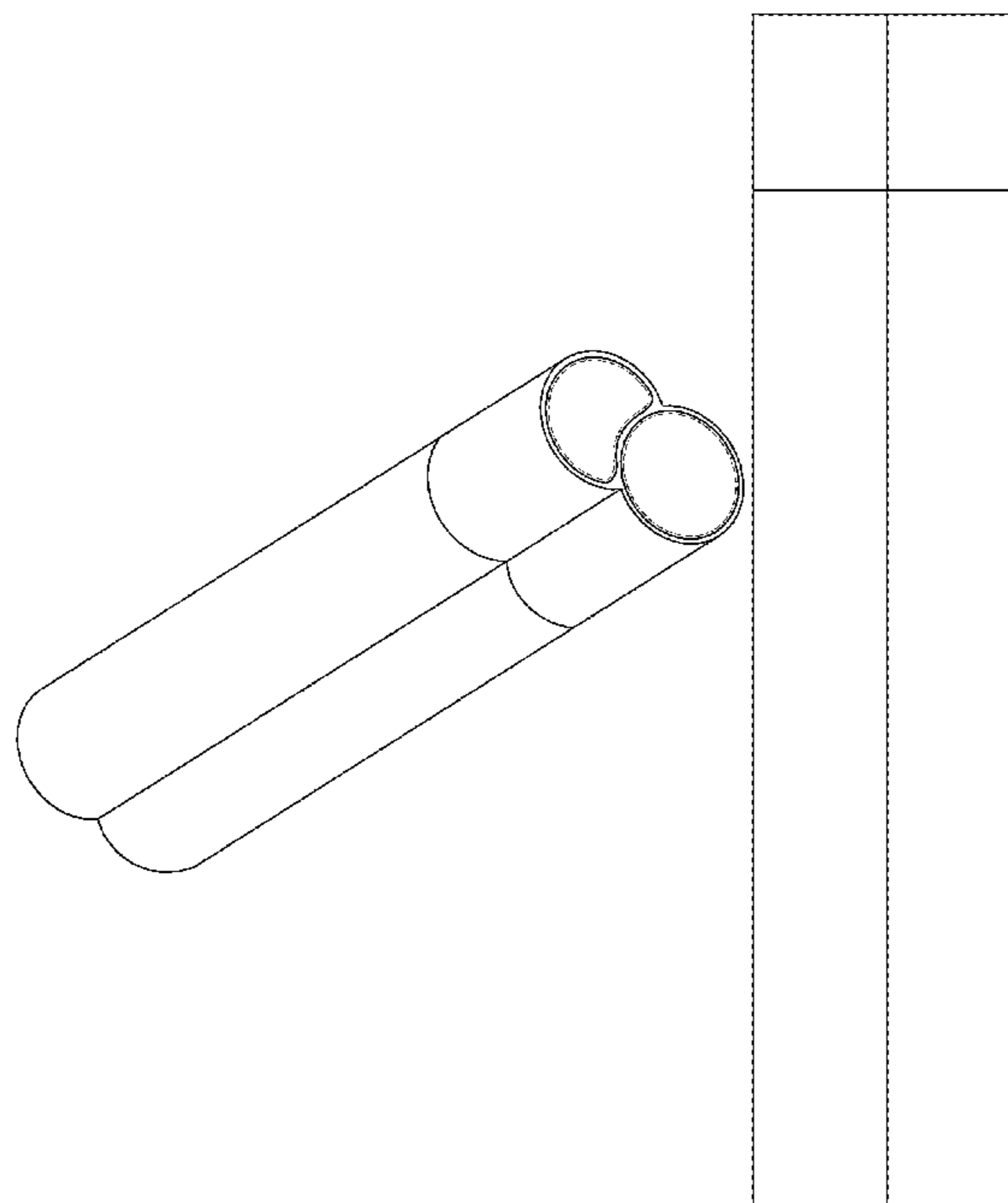
(57) **CLAIM**

The ornamental design for a smoking storage container, as shown and described.

DESCRIPTION

FIG. 1 is an isometric view of a smoking storage container showing my new design;
FIG. 2 is a front elevational view thereof;
FIG. 3 is a rear elevational view thereof;
FIG. 4 is a left side elevational view thereof;
FIG. 5 is a right elevational view thereof;
FIG. 6 is a top plan view thereof; and,
FIG. 7 is a bottom plan view thereof showing my design. Broken lines around the interior top and bottom opening indicates that no portion of the interior is included in the claim design.

1 Claim, 4 Drawing Sheets



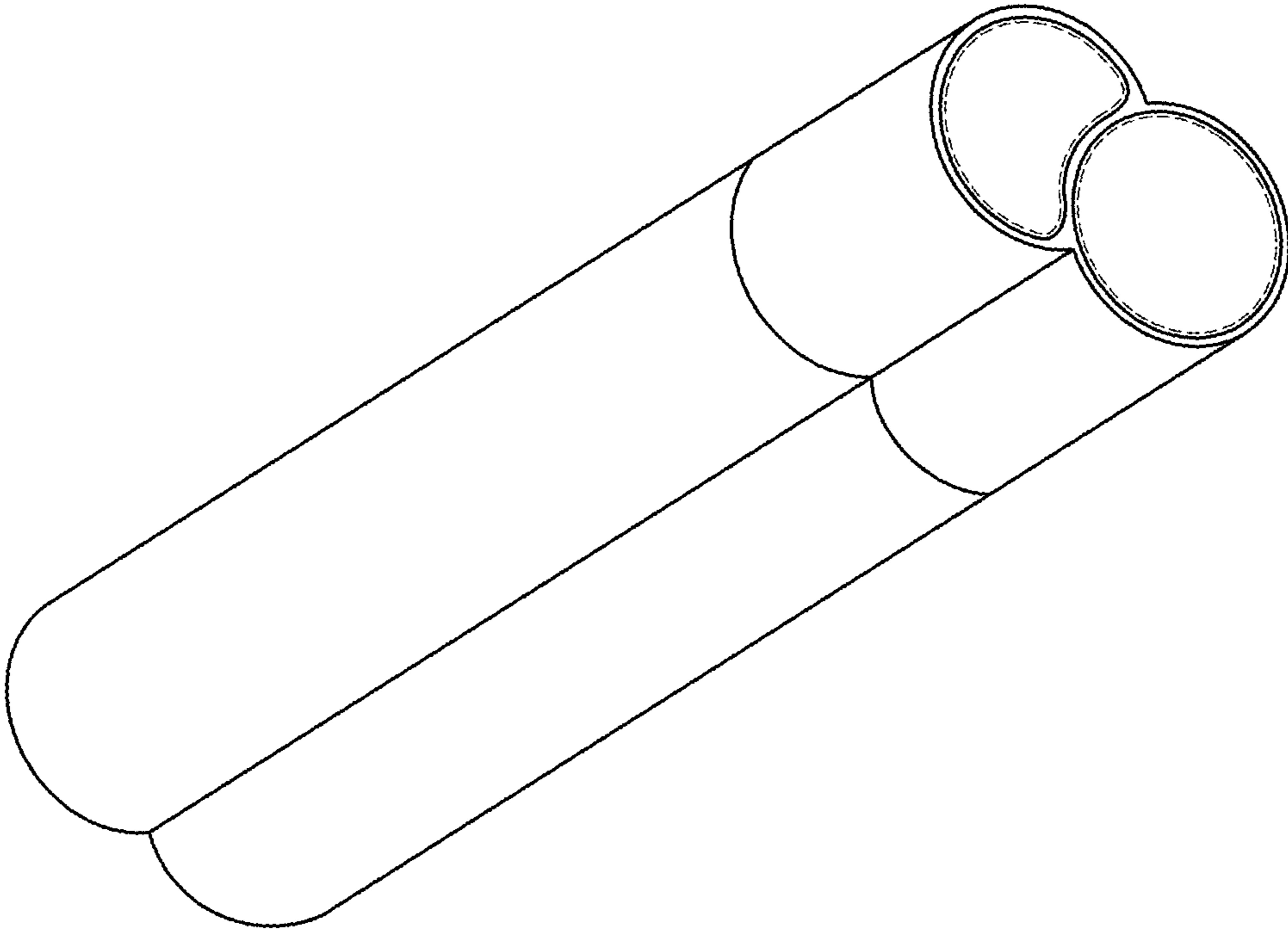


FIG. 1

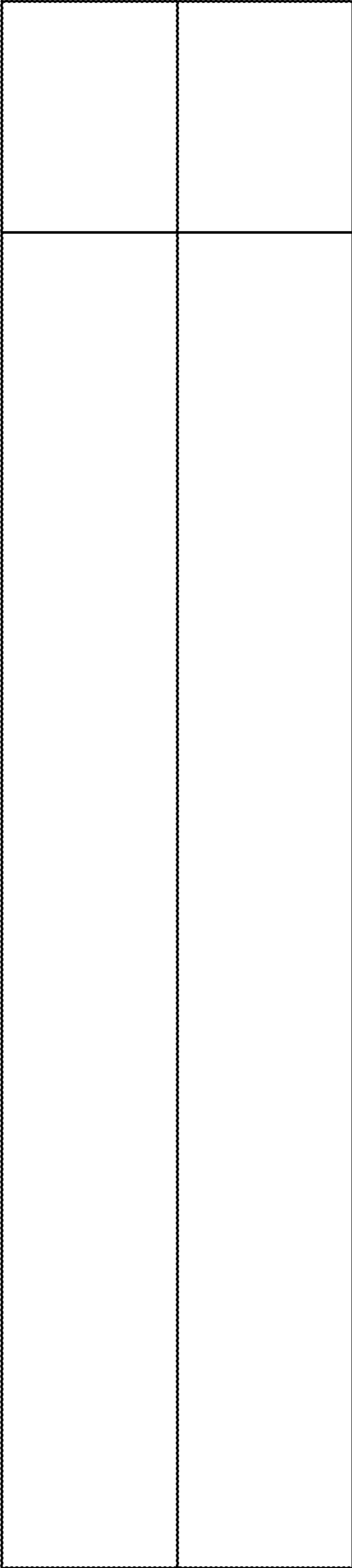


FIG. 2

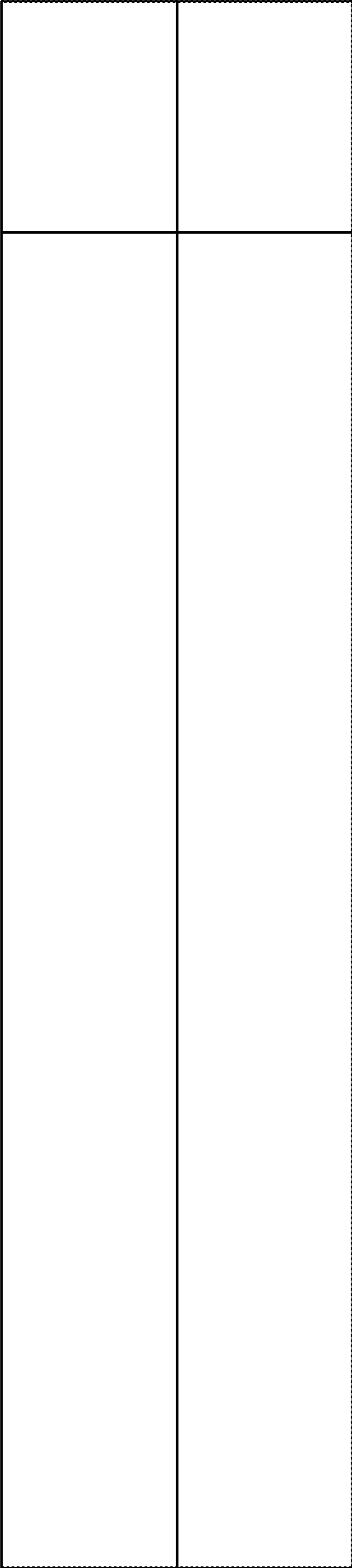


FIG. 3

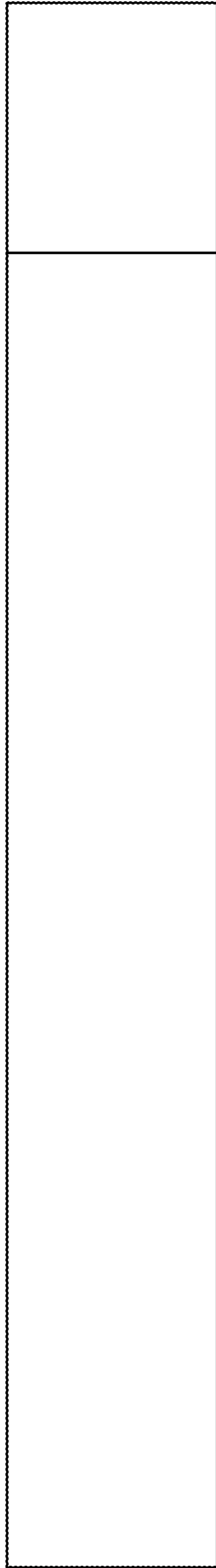


FIG. 4



FIG. 5

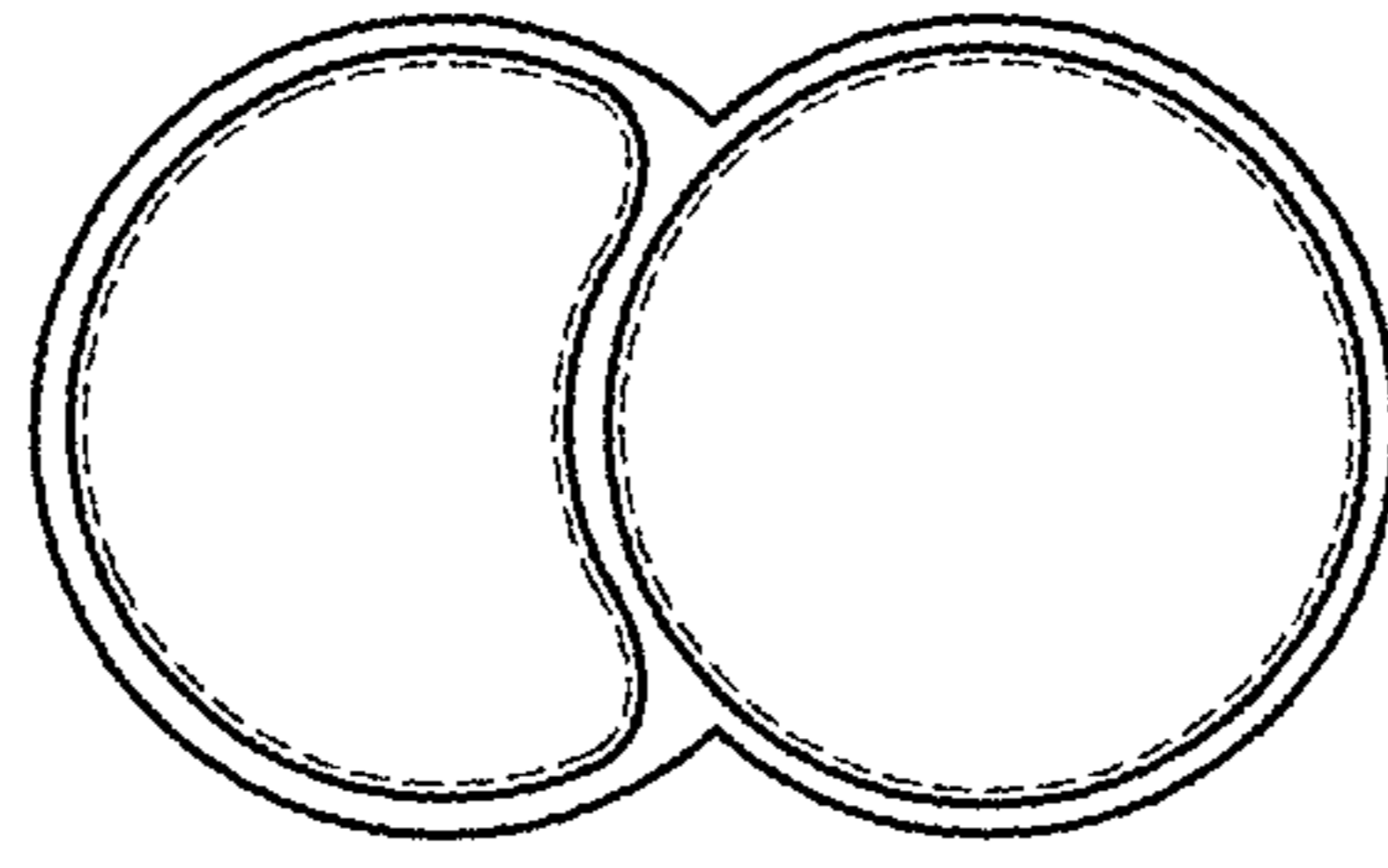


FIG. 6

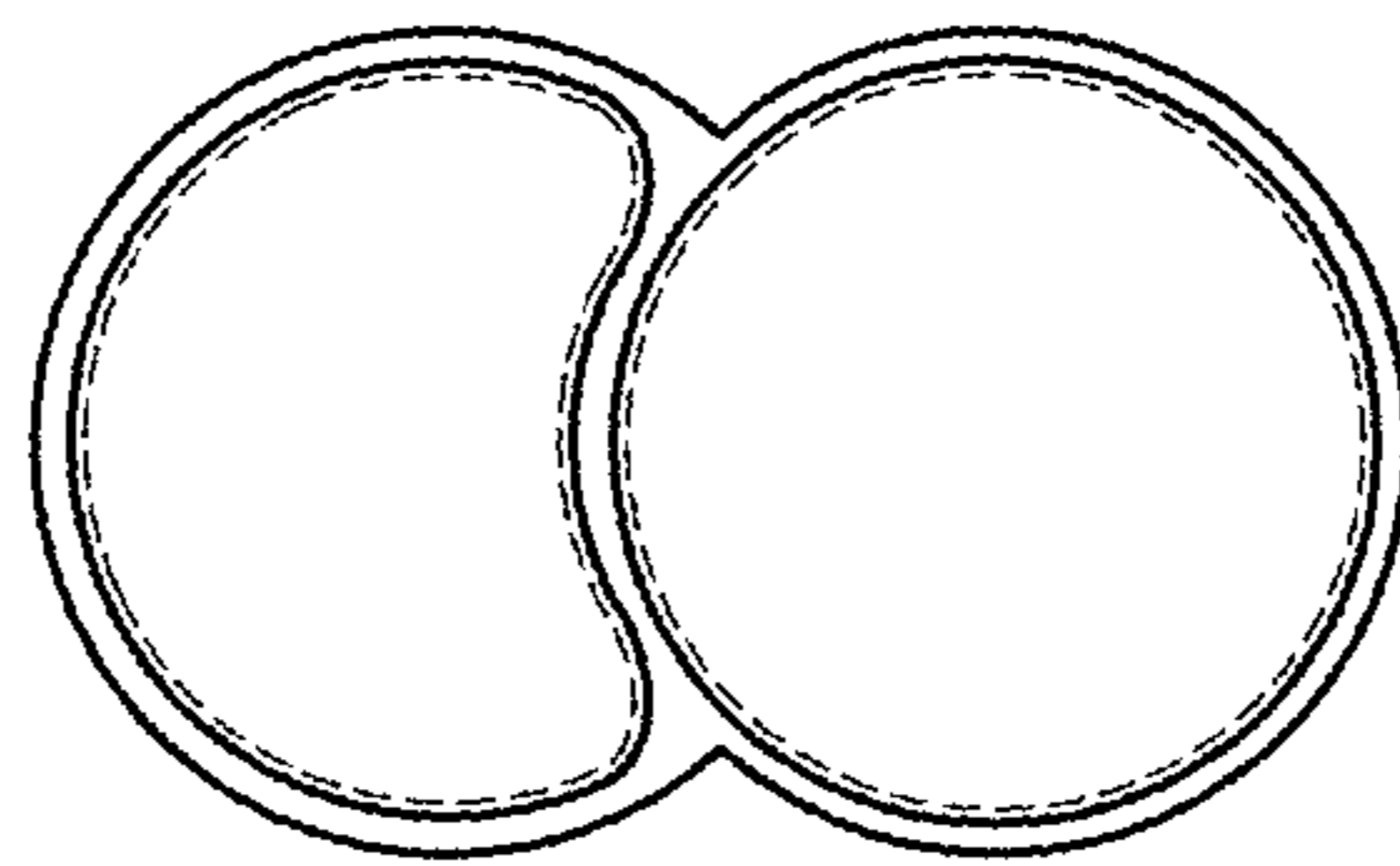


FIG. 7