



US00D982824S

(12) **United States Design Patent** (10) **Patent No.:** **US D982,824 S**  
**Cash** (45) **Date of Patent:** **\*\* Apr. 4, 2023**

(54) **CIGAR BOX**  
(71) Applicant: **James Cash**, East Lansing, MI (US)  
(72) Inventor: **James Cash**, East Lansing, MI (US)  
(\*\*) Term: **15 Years**  
(21) Appl. No.: **29/769,263**  
(22) Filed: **Feb. 4, 2021**  
(51) **LOC (14) Cl.** ..... **27-06**  
(52) **U.S. Cl.**  
USPC ..... **D27/183**  
(58) **Field of Classification Search**  
USPC ..... D27/183, 186, 187-192, 172-175  
CPC ..... A24F 15/00; A24F 15/01; A24F 15/02;  
A24F 15/08; A24F 15/10; A24F 15/18;  
A24F 15/20  
See application file for complete search history.

D937,673 S \* 12/2021 Rosendall ..... D9/432  
D943,823 S \* 2/2022 Yang ..... D27/189  
D950,843 S \* 5/2022 Maceda ..... D27/186  
D951,636 S \* 5/2022 Li ..... D3/295

**OTHER PUBLICATIONS**

Cigar Box By: GreenGods found on Amazon (Jun. 7, 2022) <https://www.amazon.com/GreenGods-Empty-Cigar-Box/dp/B000ZJ3ACG> (May 18, 2019).\*

\* cited by examiner

*Primary Examiner* — Rebecca Tsehaye  
(74) *Attorney, Agent, or Firm* — Fitch, Even, Tabin & Flannery, LLP

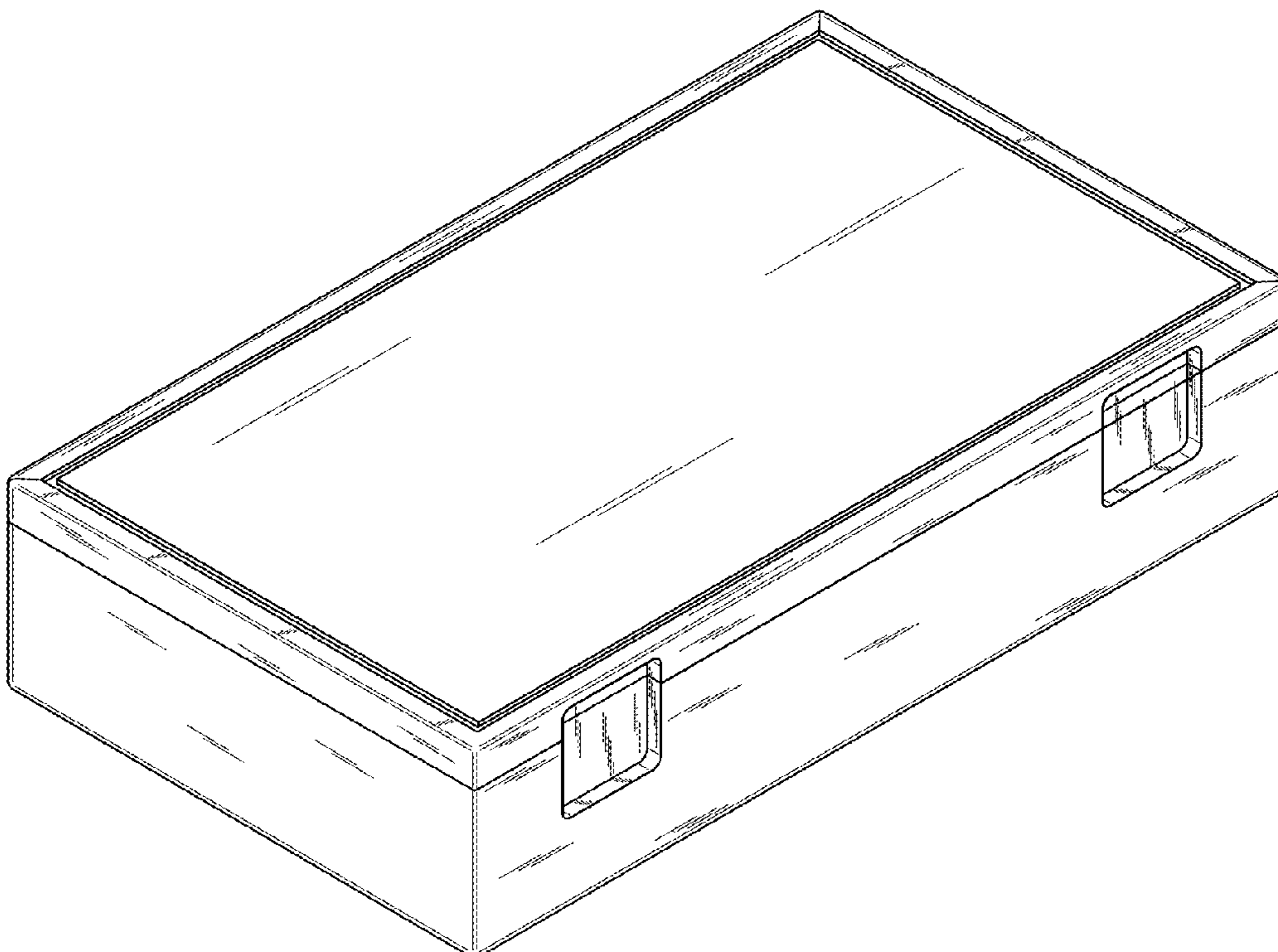
(57) **CLAIM**  
The ornamental design for a cigar box, as shown and described.

**DESCRIPTION**

FIG. 1 is a top perspective view of a cigar box showing my new design;  
FIG. 2 is a front elevation view of the cigar box of FIG. 1;  
FIG. 3 is a rear elevation view of the cigar box of FIG. 1;  
FIG. 4 is a right-side elevation view of the cigar box of FIG. 1;  
FIG. 5 is a left-side elevation view of the cigar box of FIG. 1;  
FIG. 6 is a top view of the cigar box of FIG. 1;  
FIG. 7 is a bottom view of the cigar box of FIG. 1; and,  
FIG. 8 is a top perspective view of the cigar box of FIG. 1 shown in alternative position with the lid open.

(56) **References Cited**  
U.S. PATENT DOCUMENTS  
1,824,218 A \* 9/1931 Leiman ..... B65D 85/12  
217/5  
D398,715 S \* 9/1998 Descalzo ..... D27/189  
D409,329 S \* 5/1999 Bucher ..... D27/189  
D621,703 S \* 8/2010 Hageman ..... D9/432  
D754,920 S \* 4/2016 Domon ..... D27/189  
D811,005 S \* 2/2018 Fath ..... D27/189  
D867,128 S \* 11/2019 Keary ..... D9/737  
D887,282 S \* 6/2020 O'Neill ..... D9/737  
D889,035 S \* 6/2020 Cheung ..... D27/186  
D889,739 S \* 7/2020 Ringrose ..... D27/186

**1 Claim, 4 Drawing Sheets**



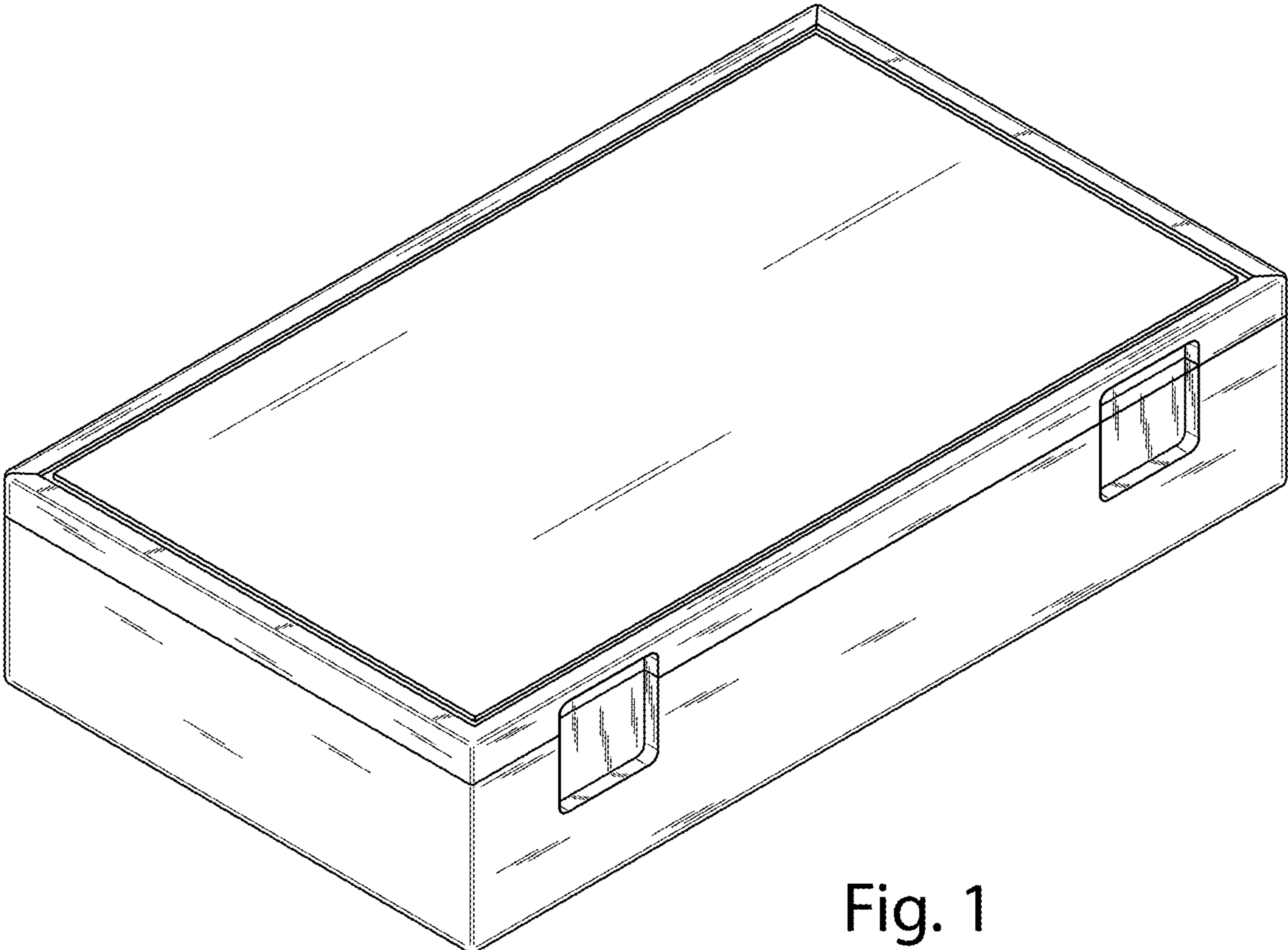


Fig. 1

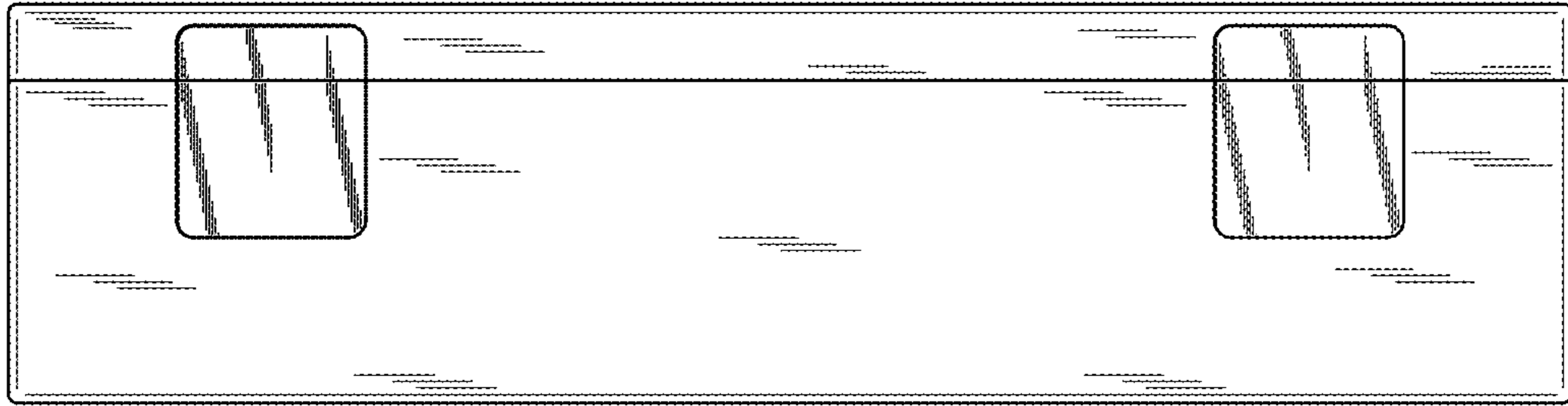


Fig. 2

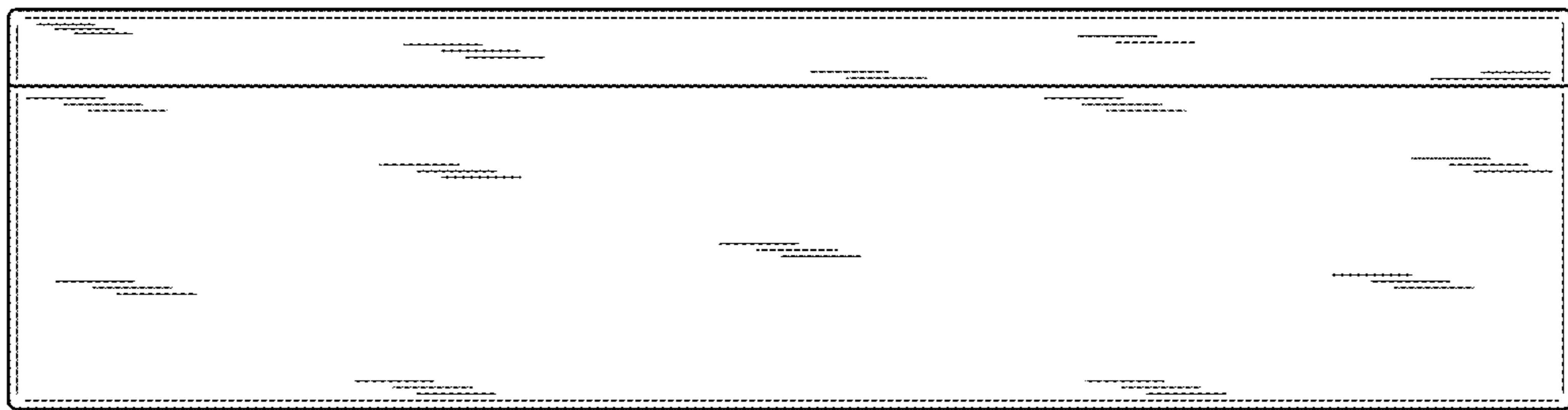


Fig. 3

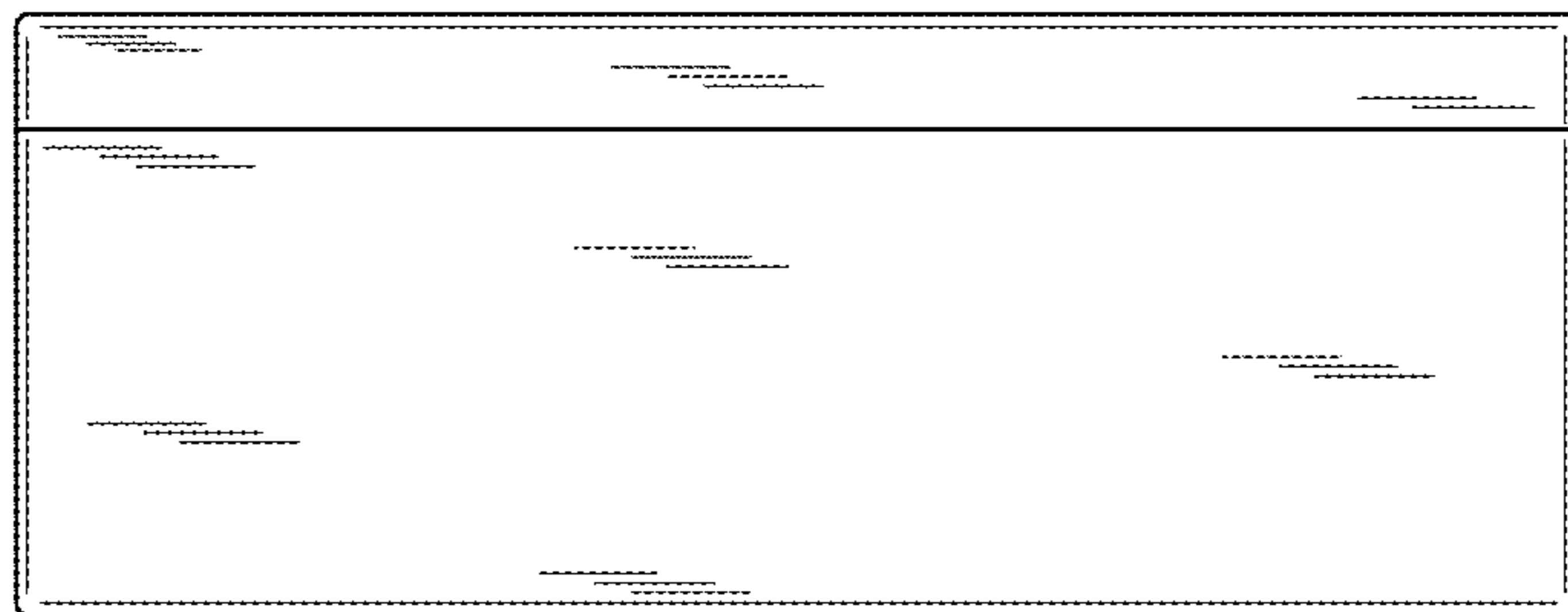


Fig. 4



Fig. 5



Fig. 6



Fig. 7

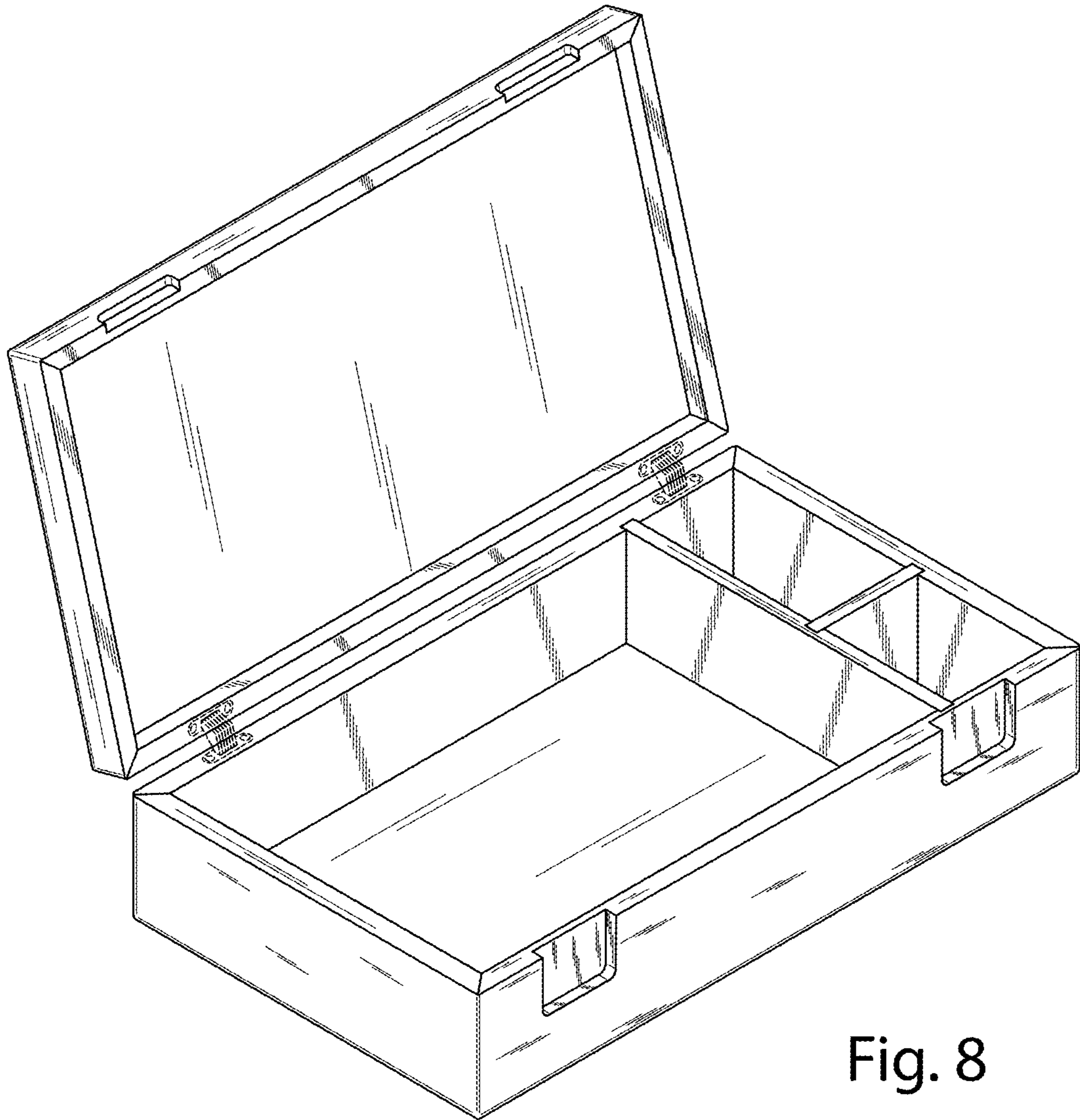


Fig. 8