



US00D982820S

(12) **United States Design Patent** (10) **Patent No.:** **US D982,820 S**
Ruiz (45) **Date of Patent:** **** Apr. 4, 2023**

(54) **VEHICLE FOG LAMP**
(71) Applicant: **GM GLOBAL TECHNOLOGY OPERATIONS LLC**, Detroit, MI (US)
(72) Inventor: **Gary W. Ruiz**, Royal Oak, MI (US)
(73) Assignee: **GM Global Technology Operations LLC**, Detroit, MI (US)
(**) Term: **15 Years**
(21) Appl. No.: **29/771,298**
(22) Filed: **Feb. 22, 2021**
(51) **LOC (14) Cl.** **26-06**
(52) **U.S. Cl.**
USPC **D26/139**
(58) **Field of Classification Search**
USPC D26/28, 29, 30, 31, 32, 33, 34, 35, 36,
D26/139, 113, 118, 119, 120, 138;
D12/114, 117, 182
CPC F21W 2103/35; F21W 2103/40; F21W
2102/17; F21W 2102/30; F21W 2103/00;
F21W 2103/55; F21W 2104/00; F21W
2107/17; F21W 2107/13; F21S 41/00;
F21S 41/141; F21S 41/162; F21S 41/18;
F21S 41/20; F21S 41/33; F21S 41/36;
F21S 41/60; F21S 43/00; F21V 21/04
See application file for complete search history.

(56) **References Cited**
U.S. PATENT DOCUMENTS
D3,239 S * 11/1868 Downes D26/28
D31,763 S * 10/1899 Locke D25/109
D271,142 S * 10/1983 Hirasawa D26/120
D286,206 S * 10/1986 Joosten D26/85
D293,033 S * 12/1987 Hiranaka D26/120
D497,170 S * 10/2004 Egami D15/78
D540,978 S * 4/2007 Cormier D26/120
D636,927 S * 4/2011 Lin D26/138
D643,571 S * 8/2011 Chen D26/118

D663,887 S * 7/2012 Alvarez D26/120
D729,435 S * 5/2015 Arndt D26/118
D736,451 S * 8/2015 Smith et al.
D744,152 S * 11/2015 Lee D26/107
D744,158 S 11/2015 Willett et al.
D745,719 S 12/2015 Boniface et al.
D745,725 S 12/2015 McMahan et al.
D745,726 S 12/2015 McMahan et al.
D747,514 S 1/2016 McMahan et al.
D747,515 S 1/2016 McMahan et al.
D747,819 S 1/2016 Thole et al.
D749,246 S 2/2016 Thole et al.
D749,249 S 2/2016 Thole et al.
D749,250 S 2/2016 Thole et al.
D751,239 S * 3/2016 Chen D26/118
D756,008 S * 5/2016 Wilson D26/31
D773,084 S 11/2016 Kapitonov
D773,086 S 11/2016 McCabe et al.
D774,226 S 12/2016 McCabe et al.
D776,841 S 1/2017 Kozub et al.
D776,843 S 1/2017 McCabe et al.
D776,846 S 1/2017 Willett et al.

(Continued)

Primary Examiner — Angela J Lee

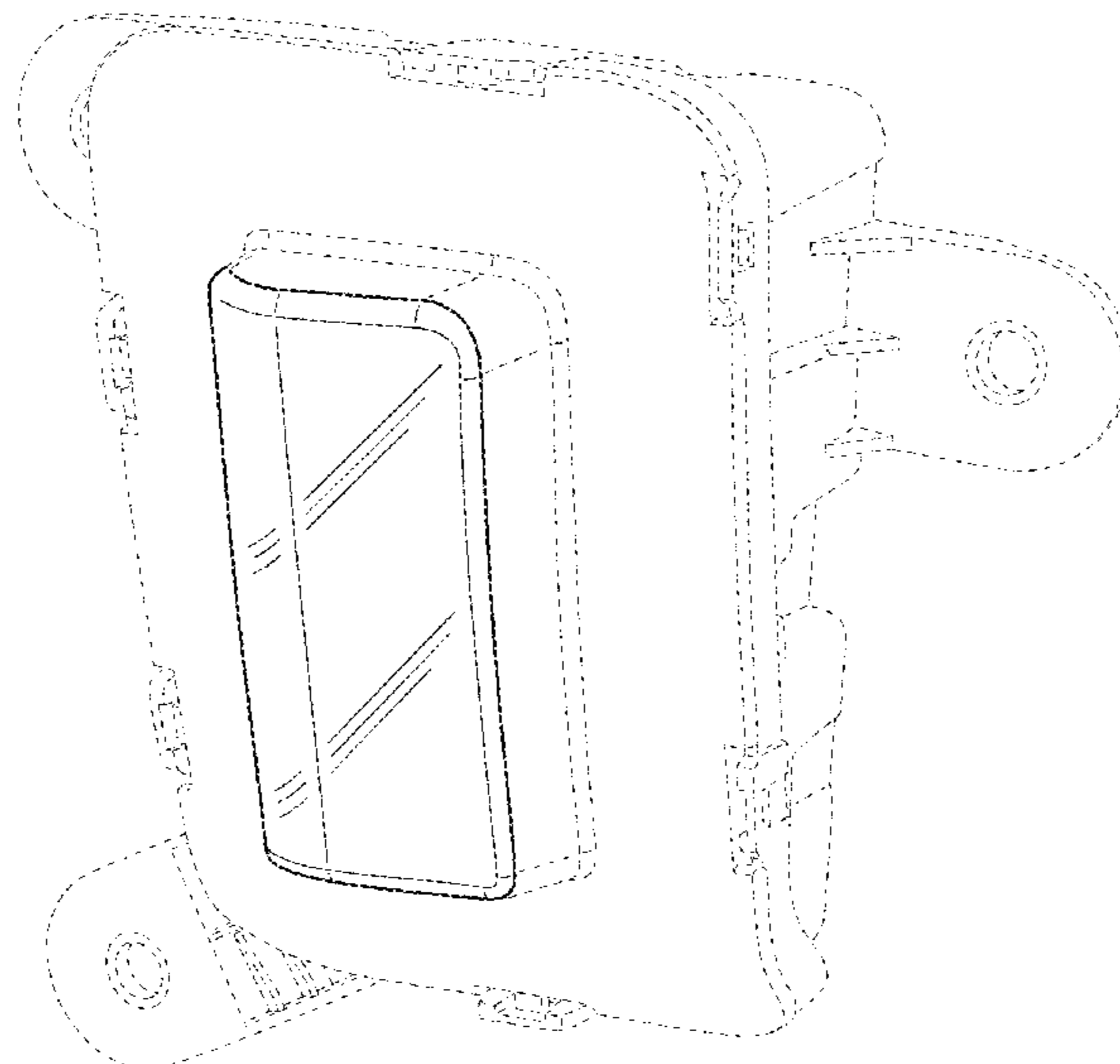
(57) **CLAIM**

The ornamental design for a vehicle fog lamp, as shown and described.

DESCRIPTION

FIG. 1 is a front and left perspective view of a vehicle fog lamp showing my new design; the mirror image of the vehicle fog lamp is claimed, but not shown; FIG. 2 is a back elevation view of the vehicle fog lamp of FIG. 1; FIG. 3 is a left elevation view thereof; FIG. 4 is a right elevation view thereof; FIG. 5 is a front elevation view thereof; FIG. 6 is a top view thereof; and, FIG. 7 is a bottom view thereof. The broken lines in the drawings depict portions of the vehicle fog lamp that form no part of the claimed design.

1 Claim, 7 Drawing Sheets



(56)

References Cited

U.S. PATENT DOCUMENTS

D777,359 S	1/2017	Kozub et al.	
D777,360 S	1/2017	Kozub et al.	
D777,361 S	1/2017	Kozub et al.	
D777,955 S	1/2017	Willett et al.	
D784,579 S	4/2017	Cheng et al.	
D793,590 S	8/2017	Kozub et al.	
D793,591 S	8/2017	Kozub et al.	
D794,229 S	8/2017	Barry	
D794,230 S	8/2017	Kozub	
D796,088 S	8/2017	McCabe et al.	
D796,093 S	8/2017	Mainville	
D797,967 S	9/2017	Barry	
D797,970 S	9/2017	Mainville	
D797,971 S	9/2017	Mainville	
D797,972 S	9/2017	Whitla et al.	
D799,728 S	10/2017	Whitla et al.	
D801,577 S	10/2017	Ruiz	
D815,075 S	* 4/2018	Kwak	D14/240
D818,156 S	5/2018	Kim et al.	
D818,157 S	5/2018	Zipfel et al.	
D818,158 S	5/2018	Zipfel et al.	
D818,159 S	5/2018	Zipfel et al.	
D818,160 S	5/2018	Perkins	
D821,617 S	6/2018	Perkins	
D825,083 S	8/2018	Perkins	
D826,435 S	8/2018	Kim	
D827,887 S	* 9/2018	Pan	D26/28
D828,591 S	* 9/2018	Wu	D26/28
D828,935 S	9/2018	Hochmuth	
D828,946 S	* 9/2018	McVey	D26/85
D830,589 S	10/2018	Henriques	
D837,424 S	1/2019	Whitla et al.	
D838,015 S	1/2019	McMahan et al.	
D838,016 S	1/2019	McMahan et al.	
D838,390 S	1/2019	McMahan et al.	
D838,391 S	1/2019	McMahan et al.	
D839,460 S	1/2019	Zipfel et al.	
D840,068 S	2/2019	Zipfel et al.	
D840,069 S	2/2019	Perkins	
D840,565 S	2/2019	Whitla et al.	
D840,570 S	2/2019	Kim et al.	
D840,571 S	2/2019	Zipfel et al.	
D840,572 S	2/2019	Perkins	
D841,843 S	2/2019	Park	
D841,844 S	2/2019	Perkins	
D841,845 S	2/2019	Park	
D843,023 S	3/2019	Whitla et al.	
D843,024 S	3/2019	Hochmuth	
D843,025 S	3/2019	Smith et al.	
D843,614 S	3/2019	Whitla et al.	
D843,616 S	3/2019	Smith et al.	
D843,617 S	3/2019	Smith et al.	
D843,639 S	* 3/2019	Ahrari	D26/118
D844,184 S	3/2019	Whitla et al.	
D844,185 S	3/2019	Hochmuth	
D844,186 S	3/2019	Smith et al.	
D845,518 S	4/2019	Kozub	
D845,519 S	4/2019	Zipfel	
D846,769 S	4/2019	Koo et al.	
D846,770 S	4/2019	Kozub	
D846,771 S	4/2019	Zipfel	
D846,772 S	4/2019	Pinazzo et al.	
D847,390 S	4/2019	Koo et al.	
D847,391 S	4/2019	Pinazzo et al.	
D847,392 S	4/2019	Zipfel	
D848,647 S	5/2019	Kozub	
D852,389 S	6/2019	Koo et al.	
D852,393 S	6/2019	Whitla et al.	
D853,623 S	* 7/2019	Paredes	D26/118
D857,936 S	8/2019	Kil et al.	
D857,938 S	8/2019	Blanski et al.	
D857,939 S	8/2019	Kozub	
D857,940 S	8/2019	Park	
D857,941 S	8/2019	Whitla et al.	
D857,942 S	8/2019	Perkins	
D857,943 S	8/2019	Hochmuth	
D857,944 S	8/2019	Pinazzo et al.	
D857,945 S	8/2019	Smith et al.	
D857,946 S	8/2019	Smith et al.	
D857,947 S	8/2019	Koo et al.	
D857,948 S	8/2019	Koo et al.	
D857,949 S	8/2019	Smith et al.	
D857,950 S	8/2019	Zipfel	
D857,951 S	8/2019	Whitla et al.	
D857,952 S	8/2019	Smith et al.	
D858,813 S	9/2019	Datta	
D858,814 S	9/2019	Burns	
D858,817 S	9/2019	Henriques	
D858,818 S	9/2019	McMahan et al.	
D858,819 S	9/2019	McMahan et al.	
D858,820 S	9/2019	McMahan et al.	
D858,821 S	9/2019	Park	
D858,822 S	9/2019	Whitla et al.	
D858,823 S	9/2019	Zipfel	
D858,824 S	9/2019	Pinazzo et al.	
D859,707 S	9/2019	McMahan et al.	
D859,708 S	9/2019	Kozub	
D859,709 S	9/2019	Zipfel	
D860,489 S	9/2019	Henriques	
D860,490 S	9/2019	Henriques	
D863,625 S	10/2019	Kim	
D863,629 S	10/2019	Whitla et al.	
D863,630 S	10/2019	Whitla et al.	
D863,662 S	10/2019	Yong et al.	
D863,664 S	10/2019	Kozub	
D864,441 S	10/2019	Perkins	
D868,302 S	11/2019	Hochmuth	
D868,357 S	11/2019	De Leon	
D869,015 S	12/2019	Pinazzo et al.	
D869,026 S	12/2019	Zipfel	
D869,027 S	12/2019	Zipfel	
D869,028 S	12/2019	Zipfel	
D874,029 S	1/2020	Mack et al.	
D874,030 S	1/2020	Mack et al.	
D874,033 S	1/2020	Park Cheng et al.	
D874,034 S	1/2020	Schmeckpeper	
D874,035 S	1/2020	Park Cheng et al.	
D874,053 S	1/2020	Zipfel	
D874,693 S	2/2020	Blanski et al.	
D874,697 S	2/2020	Schmeckpeper	
D875,281 S	2/2020	Schmeckpeper	
D876,690 S	2/2020	Schmeckpeper	
D877,369 S	3/2020	Thurber et al.	
D877,376 S	3/2020	Cheng et al.	
D877,377 S	3/2020	Cheng et al.	
D877,941 S	3/2020	Thurber et al.	
D884,939 S	5/2020	Kozub	
D885,618 S	5/2020	Mack et al.	
D887,591 S	6/2020	Mack et al.	
D887,596 S	6/2020	Pinazzo et al.	
D894,438 S	8/2020	Park Cheng et al.	
D894,439 S	8/2020	Izard	
D894,440 S	8/2020	Koo et al.	
D894,441 S	8/2020	Koo et al.	
D895,859 S	9/2020	Izard	
D897,013 S	9/2020	Cheng et al.	
D903,159 S	11/2020	Zipfel	
D903,160 S	11/2020	Zipfel	
D903,161 S	11/2020	Zipfel	
D903,163 S	11/2020	Choi et al.	
D903,164 S	11/2020	Choi et al.	
D903,165 S	11/2020	Choi et al.	
D903,166 S	11/2020	Choi et al.	
D903,167 S	11/2020	Choi et al.	
D903,168 S	11/2020	Choi et al.	
D904,654 S	* 12/2020	Horn	D26/28
D925,103 S	* 7/2021	Kujawa	D26/118
D926,341 S	* 7/2021	Chen	D26/28
D950,793 S	* 5/2022	Davis	D26/28
D952,227 S	* 5/2022	Vasylyev	D26/72

* cited by examiner

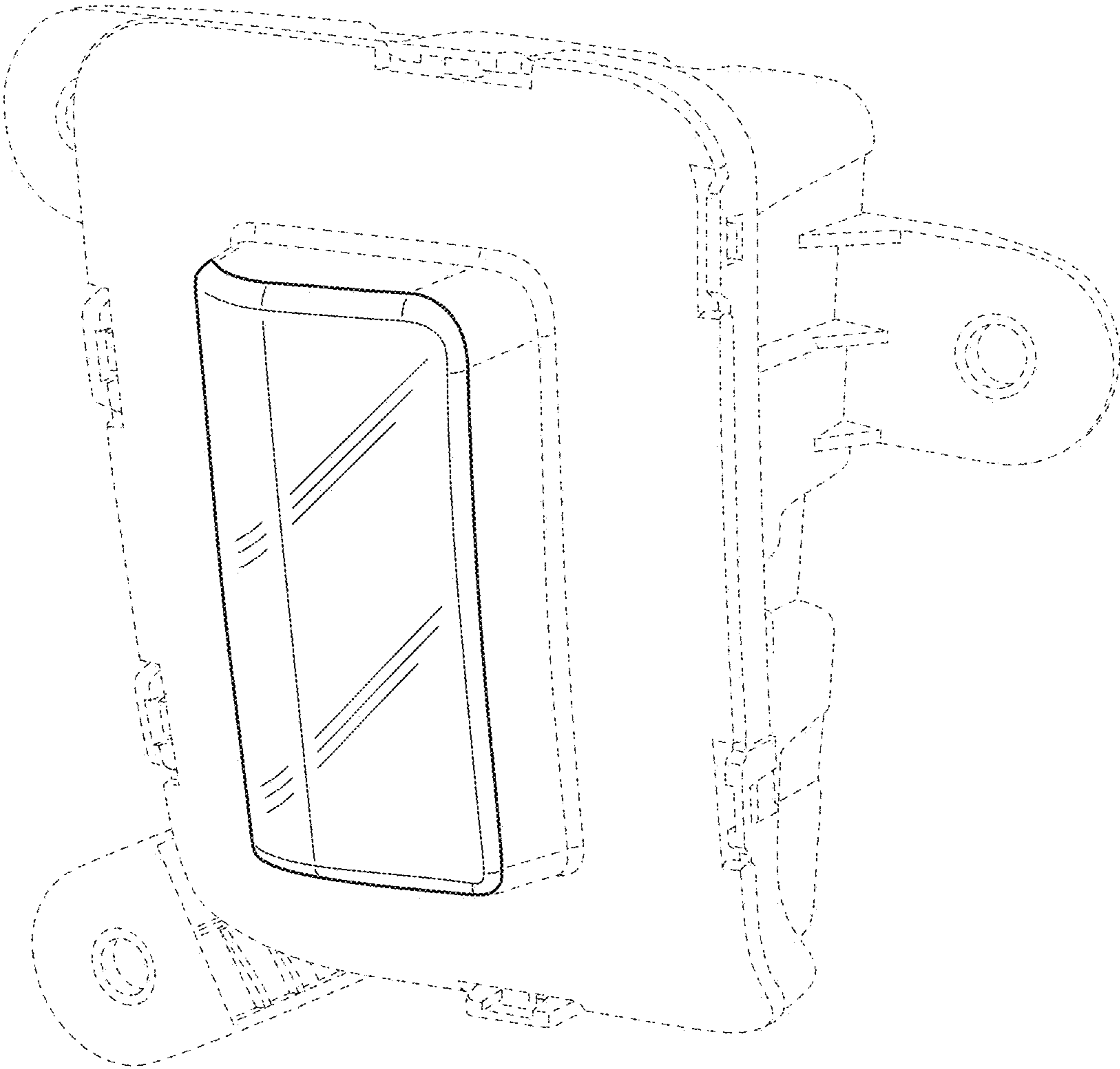


FIG. 1

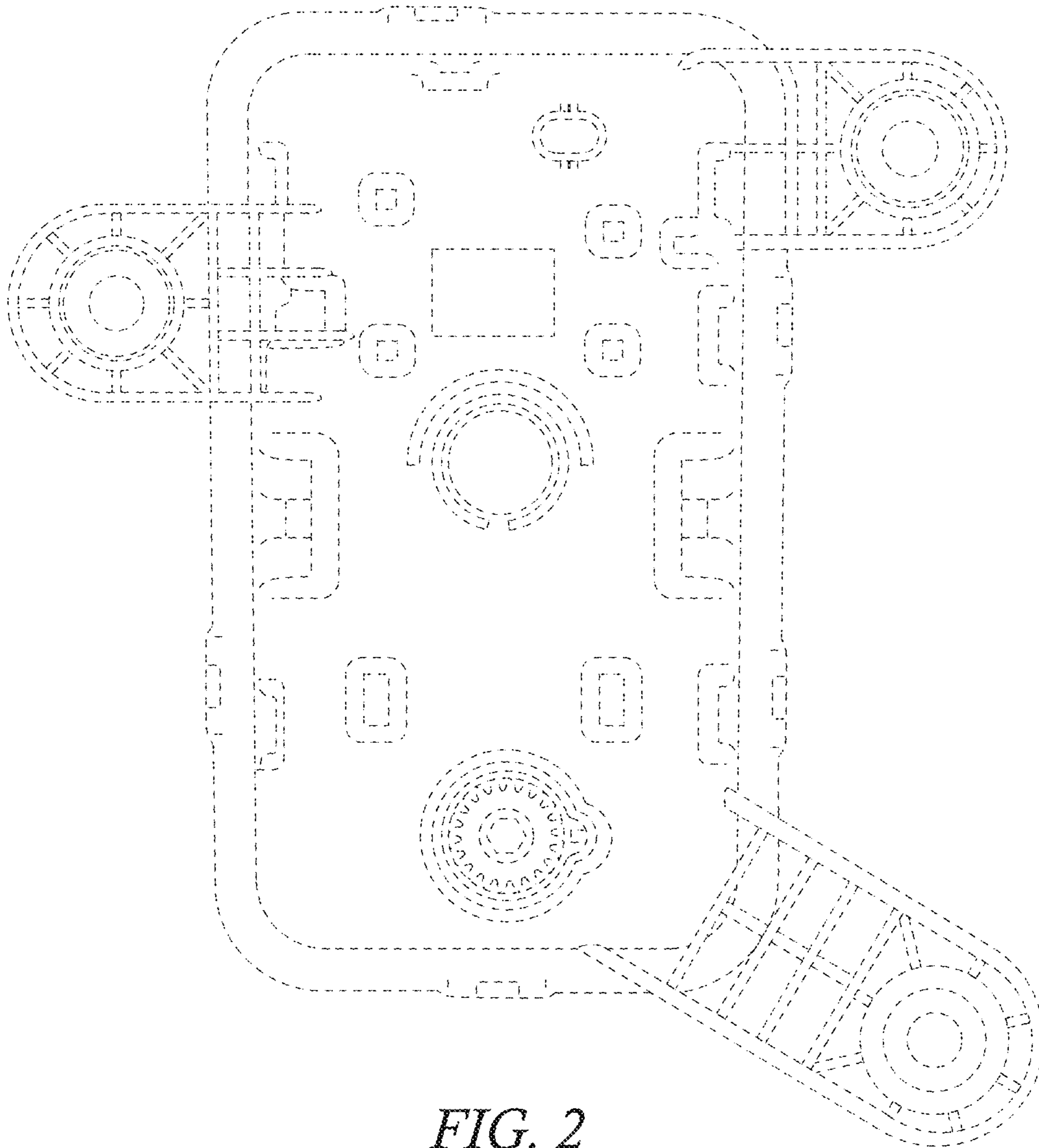


FIG. 2

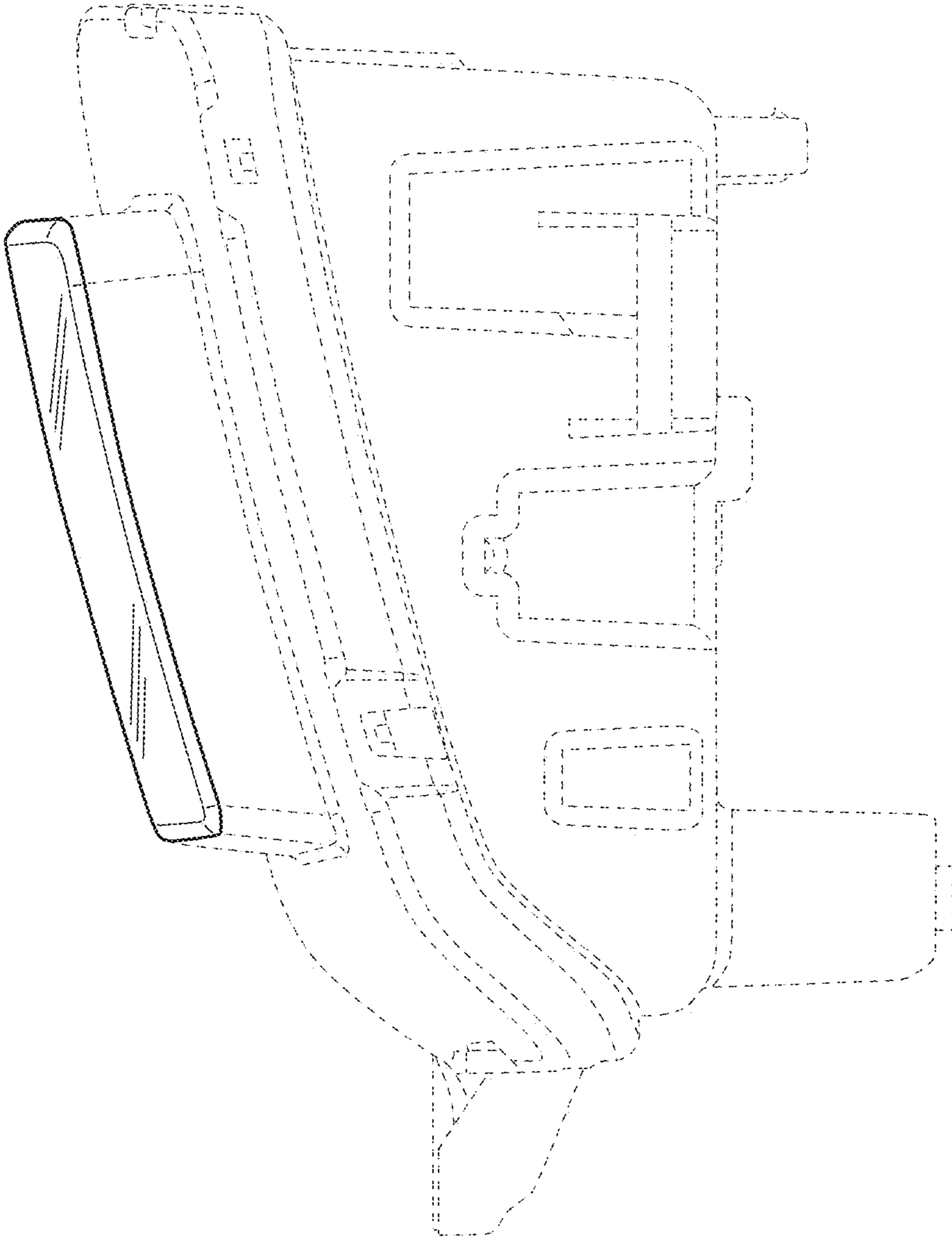


FIG. 3

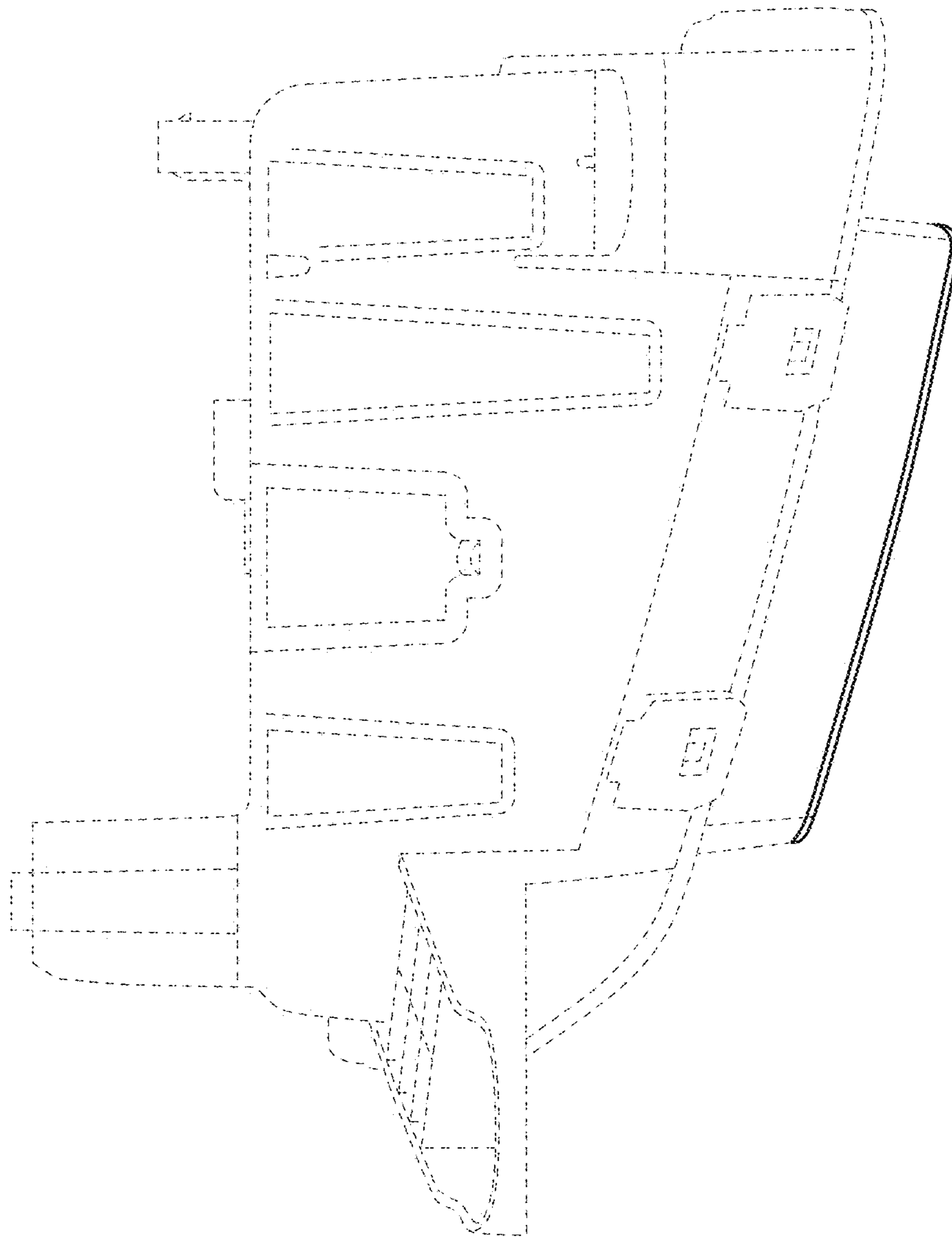


FIG. 4

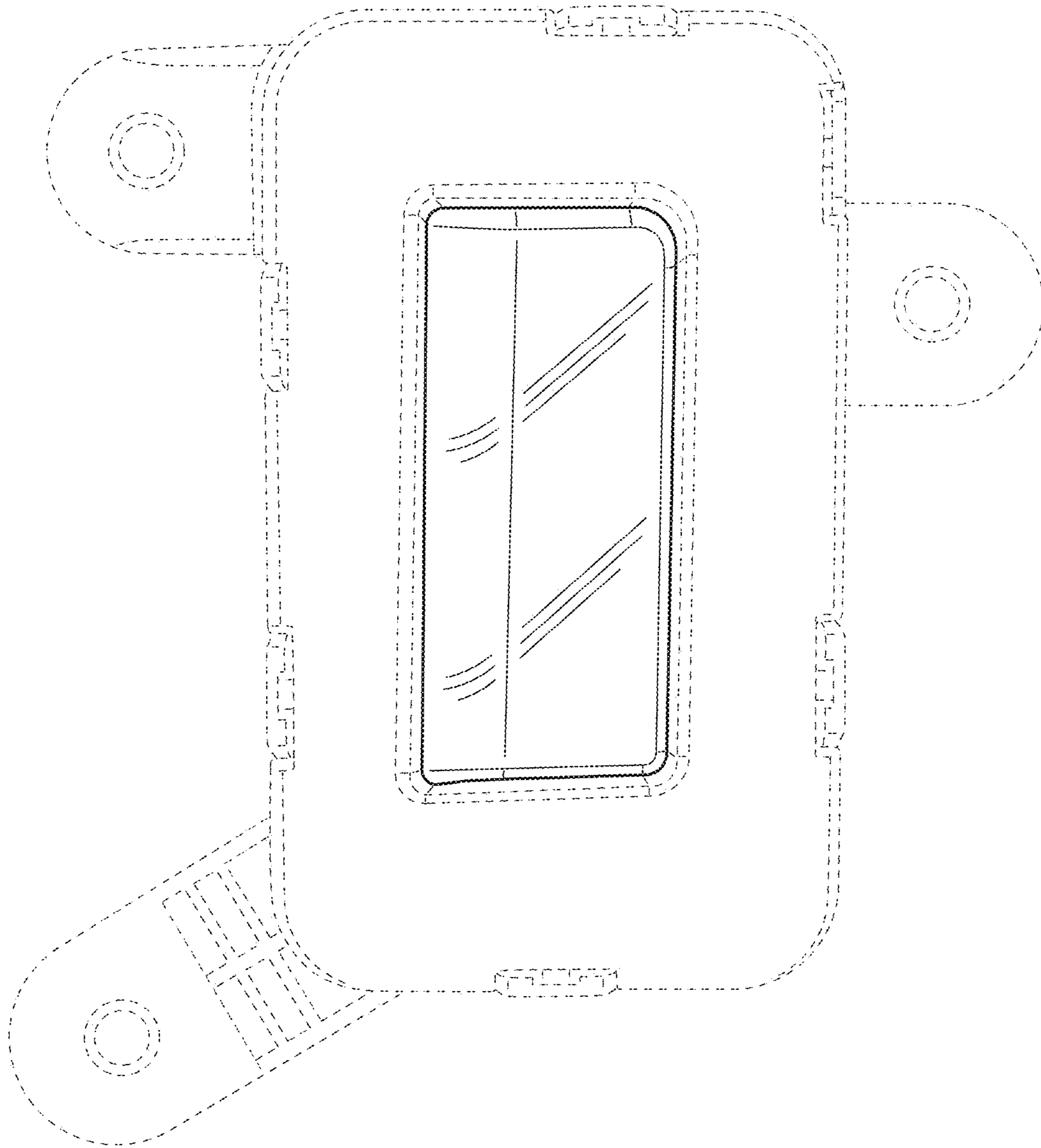


FIG. 5

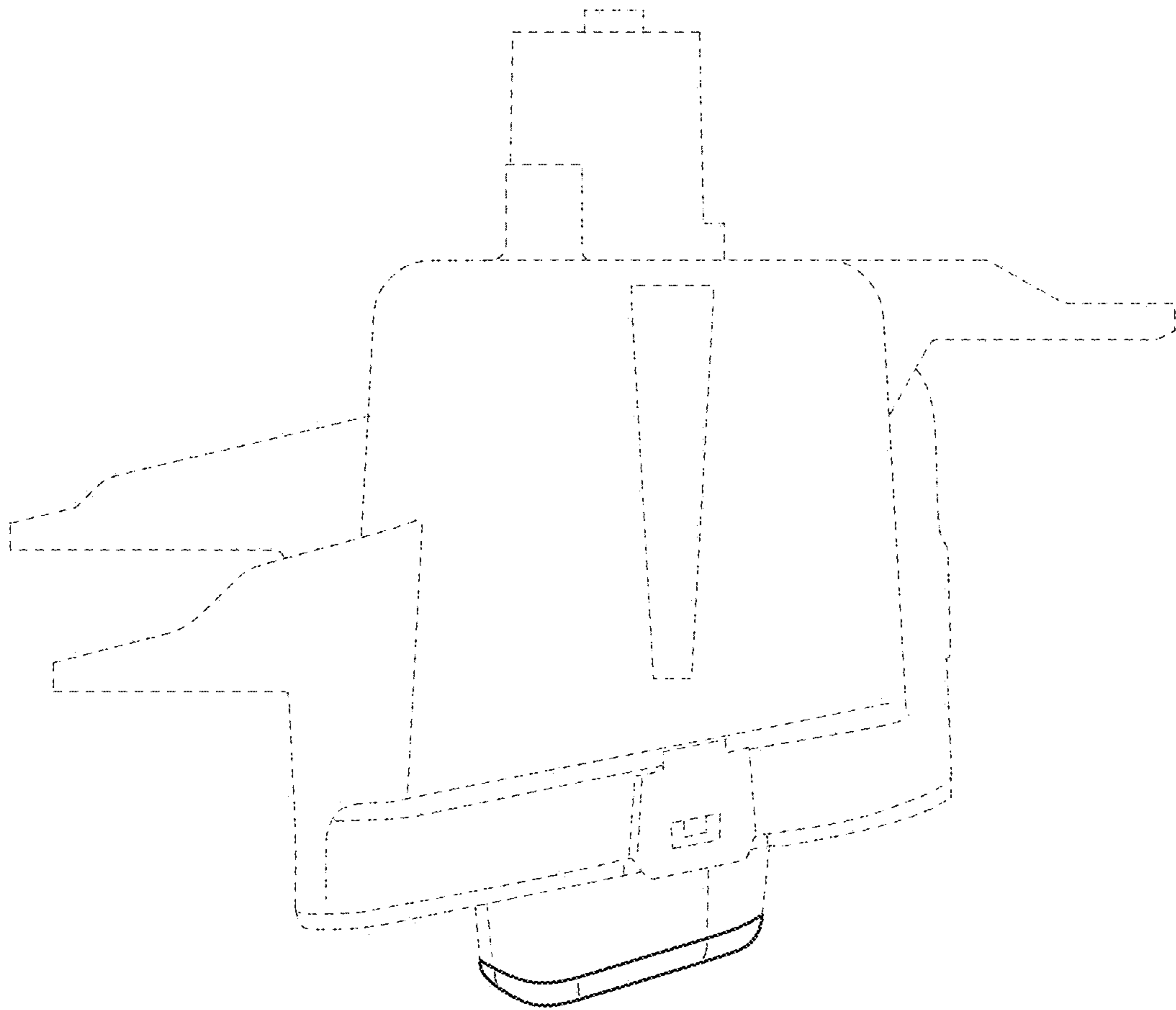


FIG. 6

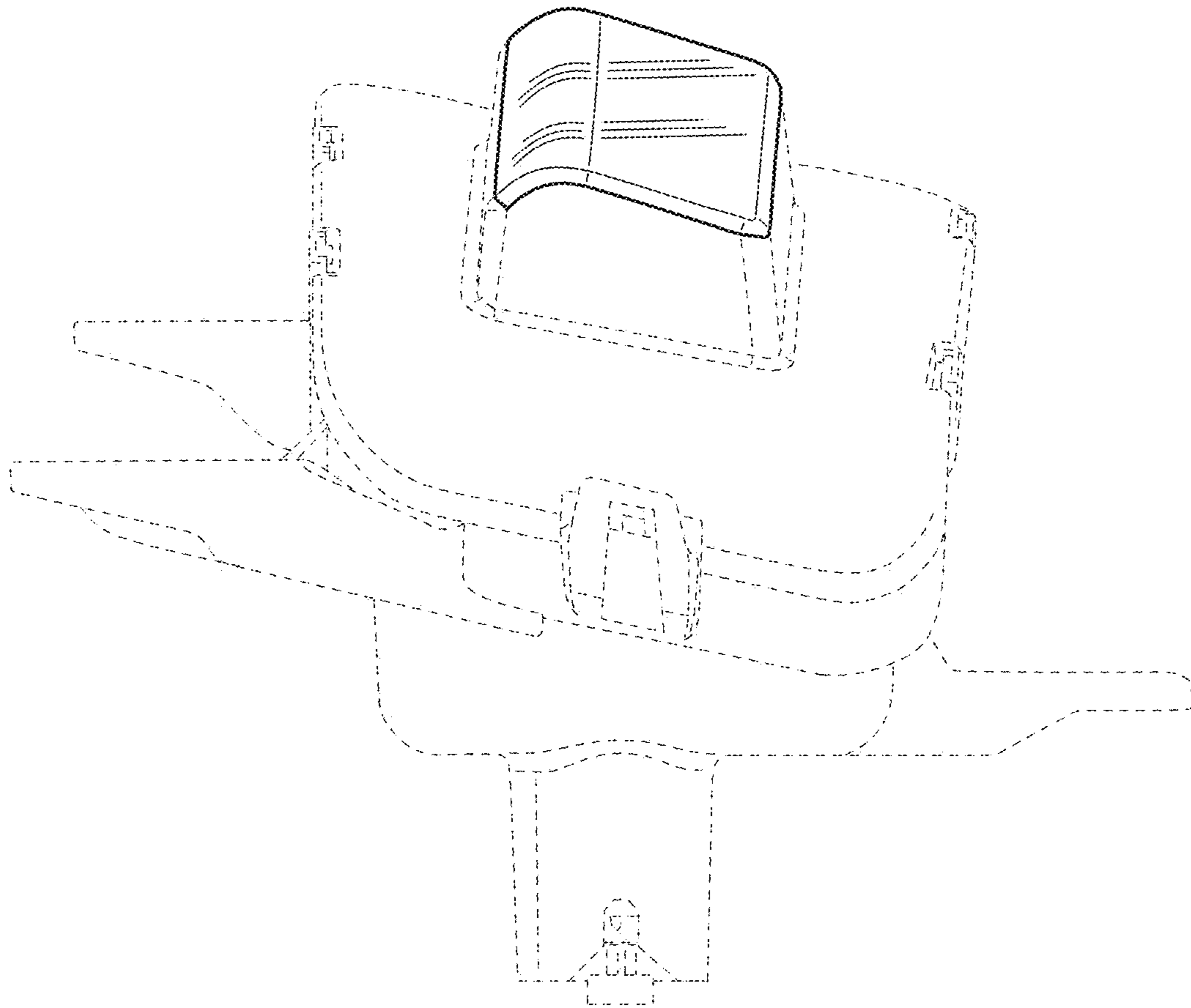


FIG. 7