



US00D982819S

(12) **United States Design Patent**
Liu

(10) **Patent No.:** **US D982,819 S**
(45) **Date of Patent:** **** Apr. 4, 2023**

(54) **LAMPSHADE FOR PROJECTION LAMP**

FOREIGN PATENT DOCUMENTS

(71) Applicant: **Lifang Liu**, Shenzhen (CN)

CN 306842827 * 9/2021

(72) Inventor: **Lifang Liu**, Shenzhen (CN)

OTHER PUBLICATIONS

(**) Term: **15 Years**

Northern Lights Aurora Projector, available Nov. 30, 2021, retrieved Oct. 14, 2022 from URL: <https://www.amazon.com/Lumoonosity-Aurora-Projector-Light-Northern/dp/B09MRZDW26?th=1> (Year: 2021).*

(21) Appl. No.: **29/836,803**

Northern Light Moon Aurora Projector, date unavailable, retrieved Oct. 14, 2022 from URL: https://www.lightinthebox.com/en/p/northern-light-moon-projection-rgbw-aurora-projector-star-projector-galaxy-night-light-led-lamp-music-speaker-bedroom-decor-gift_p9128893.html (Year: 2022).*

(22) Filed: **Apr. 29, 2022**

(51) **LOC (14) Cl.** **26-05**

(52) **U.S. Cl.**
USPC **D26/124**

(58) **Field of Classification Search**

USPC D26/24, 72, 73, 81–85, 93, 104–108,
D26/110–120, 122, 124, 128–130, 138,
D26/142–144, 149–151, 155
CPC F32S 8/00; F32S 8/024; F32S 8/026; F32S
8/04; F21V 1/00; F21V 1/06; F21V 1/08;
F21V 1/20; F21V 1/24; F21V 7/045
See application file for complete search history.

* cited by examiner

Primary Examiner — Richard Kearney
Assistant Examiner — Christina M. Dodson

(57) **CLAIM**

The ornamental design for a lampshade for projection lamp, as shown and described.

(56) **References Cited**

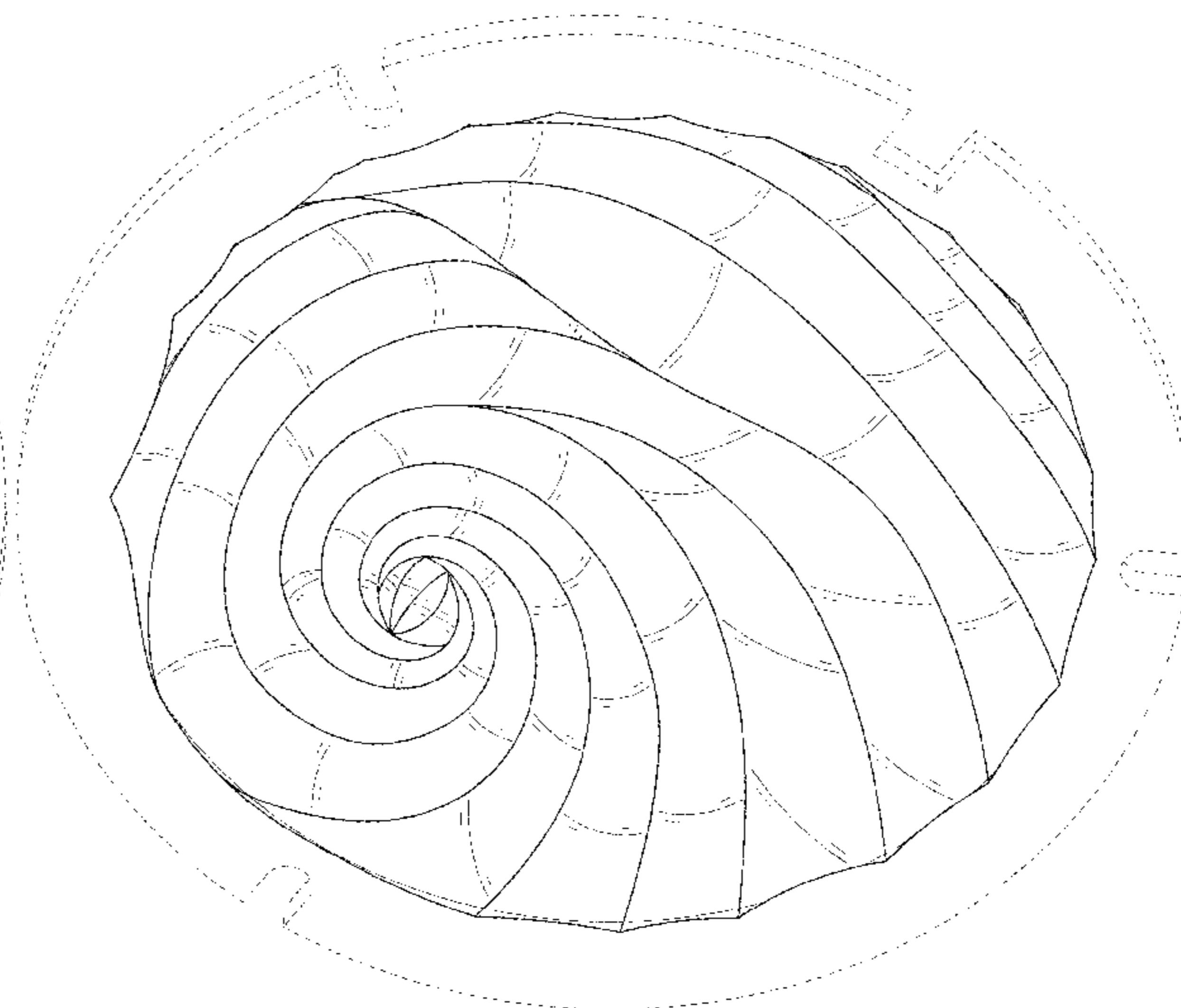
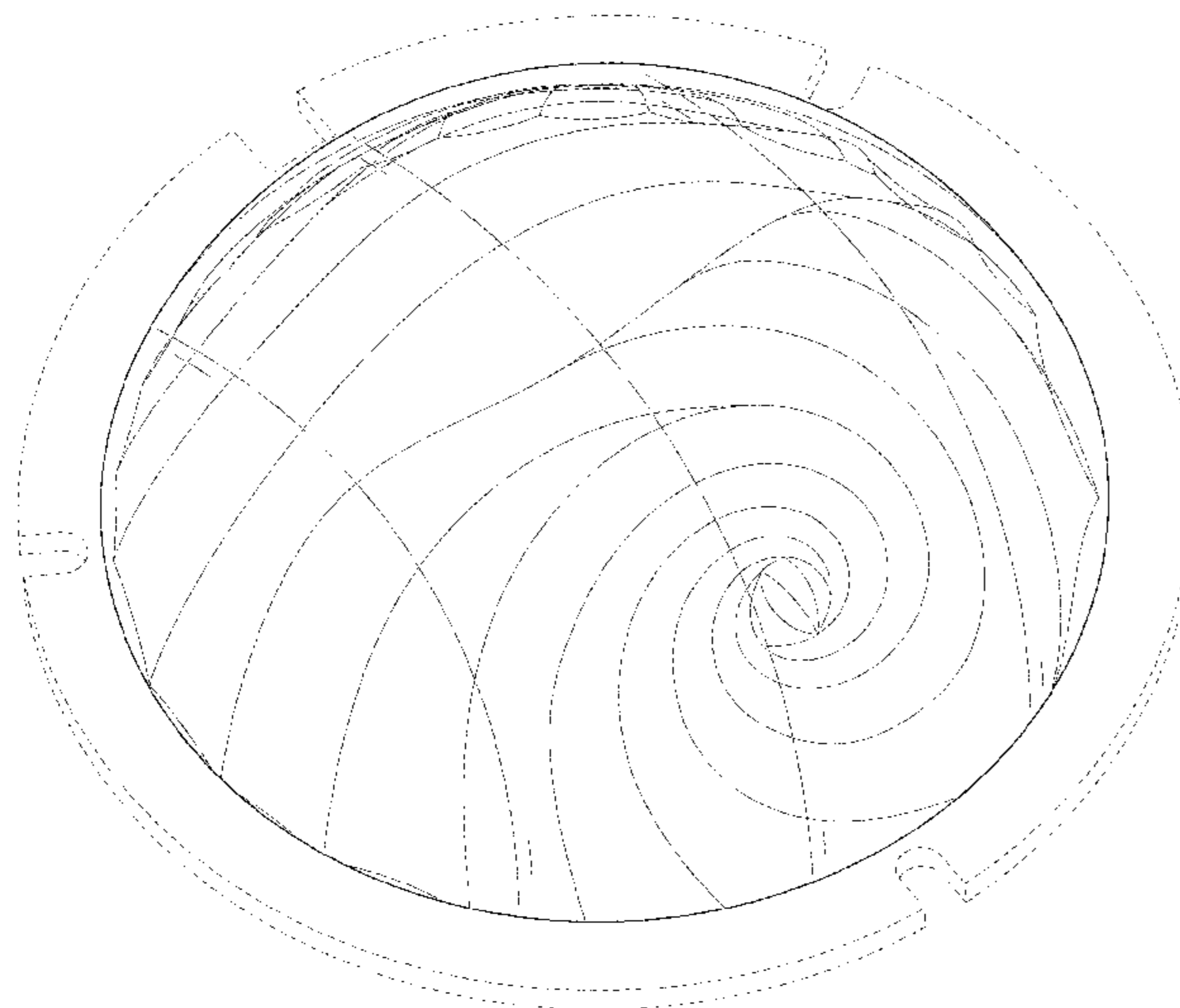
DESCRIPTION

U.S. PATENT DOCUMENTS

D494,705 S *	8/2004	Tai	D26/128
D541,975 S *	5/2007	Isaacson	D26/128
D565,238 S	3/2008	Lee		
D571,034 S *	6/2008	Goetz-Schaefer	D26/85
D634,883 S *	3/2011	Kim	D26/120
D701,638 S *	3/2014	Inaba	D26/124
D766,486 S *	9/2016	Boomgaarden	D26/74
D768,328 S	10/2016	Scheepers		
D797,980 S *	9/2017	Maxik	D26/89
D865,038 S *	10/2019	Sandvik	D16/237
D946,816 S *	3/2022	Zheng	D26/118
D952,935 S *	5/2022	Zhang	D26/128
2007/0236952 A1 *	10/2007	Chinniah	F21S 41/321 362/538

FIG. 1 is a perspective view of a lampshade for projection lamp showing my new design;
FIG. 2 is another perspective view thereof;
FIG. 3 is a front elevational view thereof
FIG. 4 is a rear elevational view thereof;
FIG. 5 is a left side elevational view thereof;
FIG. 6 is a right side elevational view thereof;
FIG. 7 is a top plan view thereof; and,
FIG. 8 is a bottom plan view thereof.
The broken lines in the drawings depict portions of the lampshade for projection lamp that form no part of the claimed design.

1 Claim, 8 Drawing Sheets



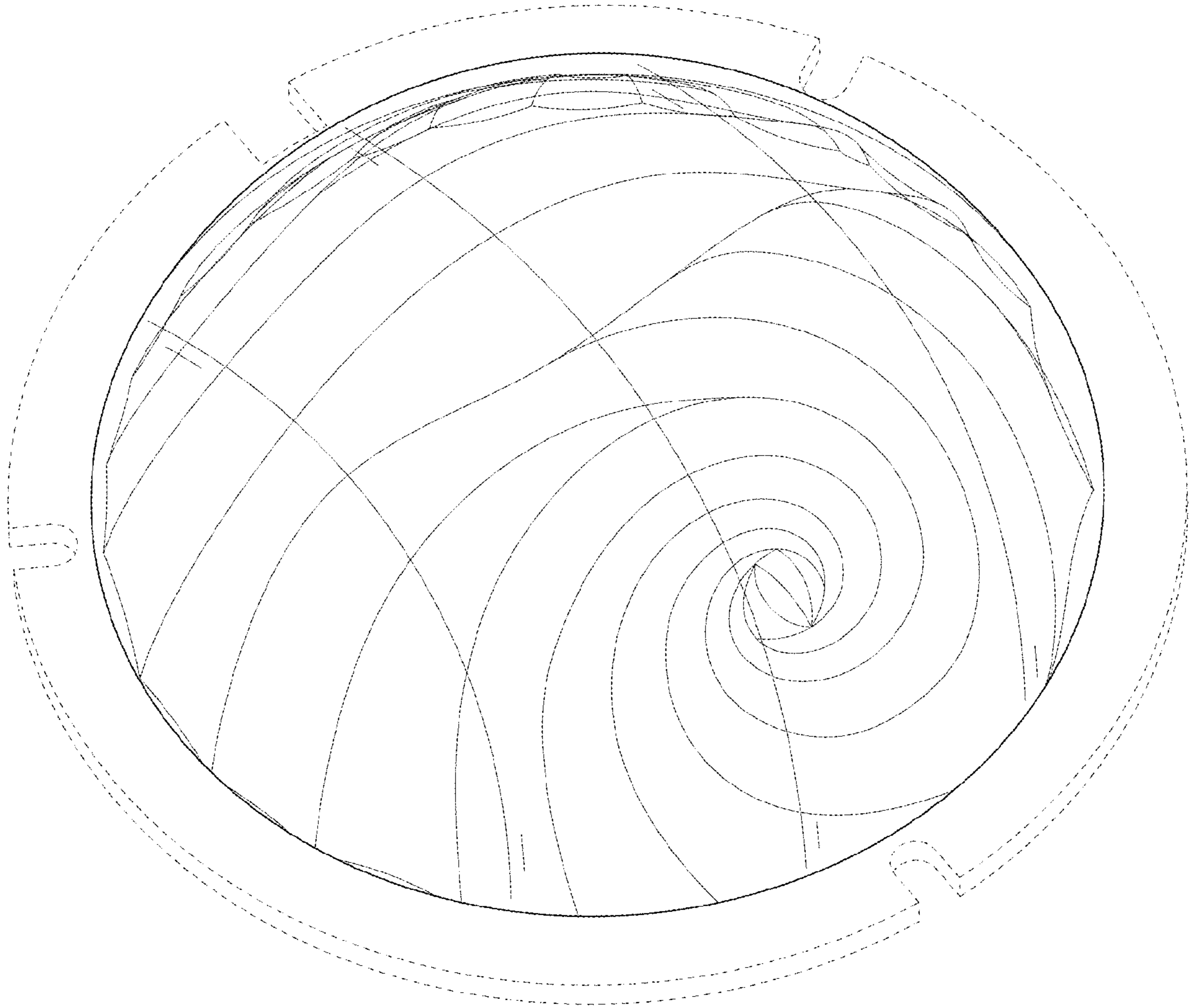


FIG. 1

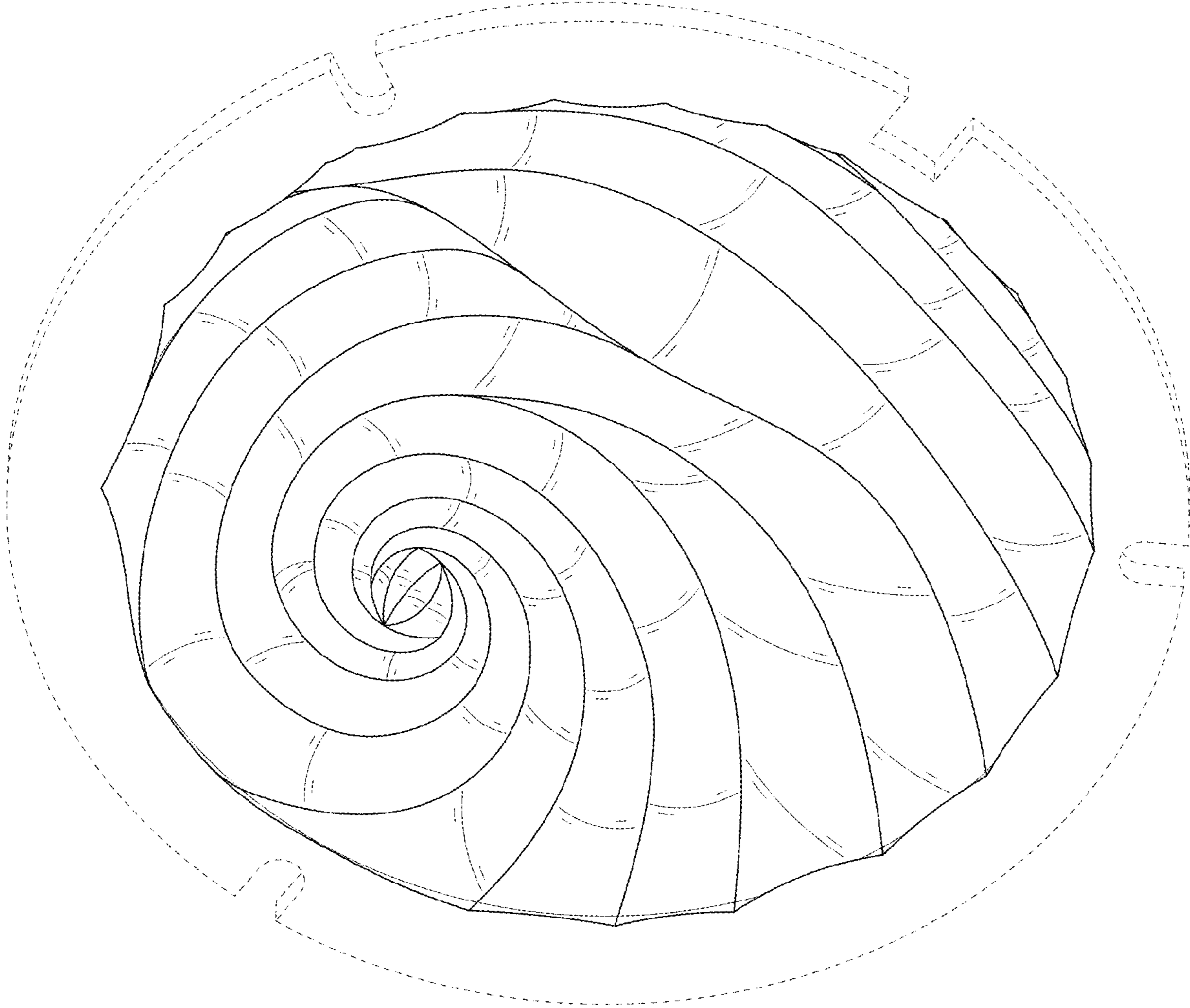


FIG. 2

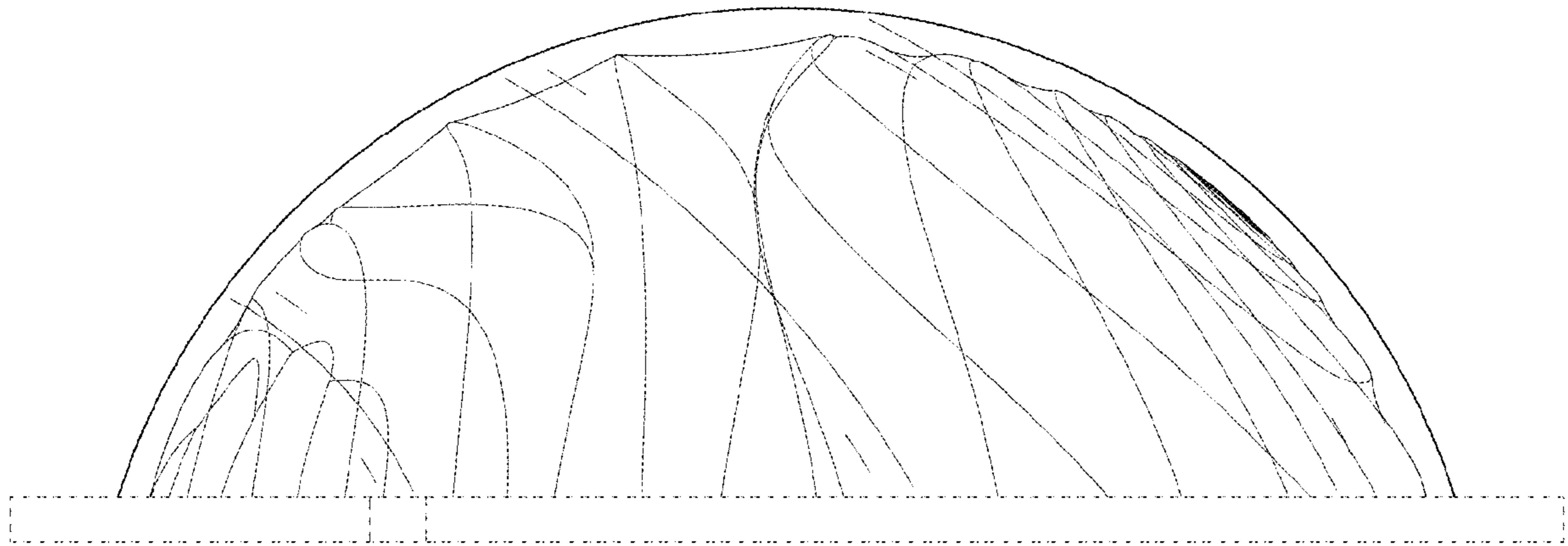


FIG. 3

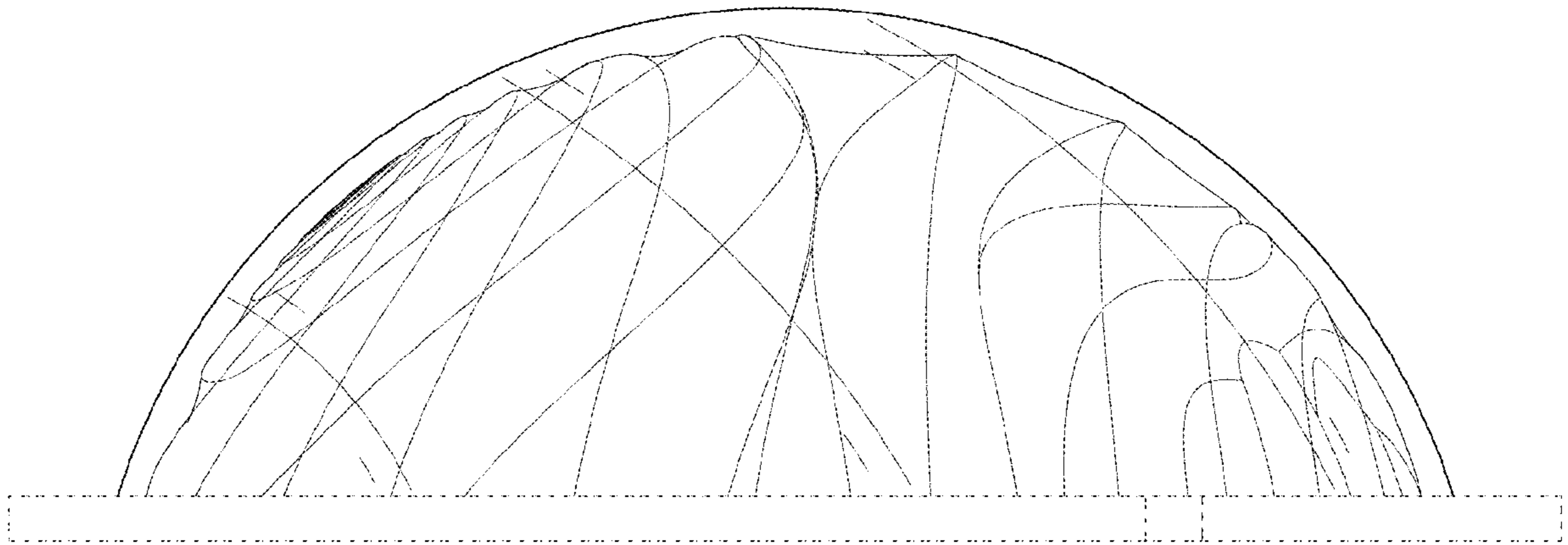


FIG. 4

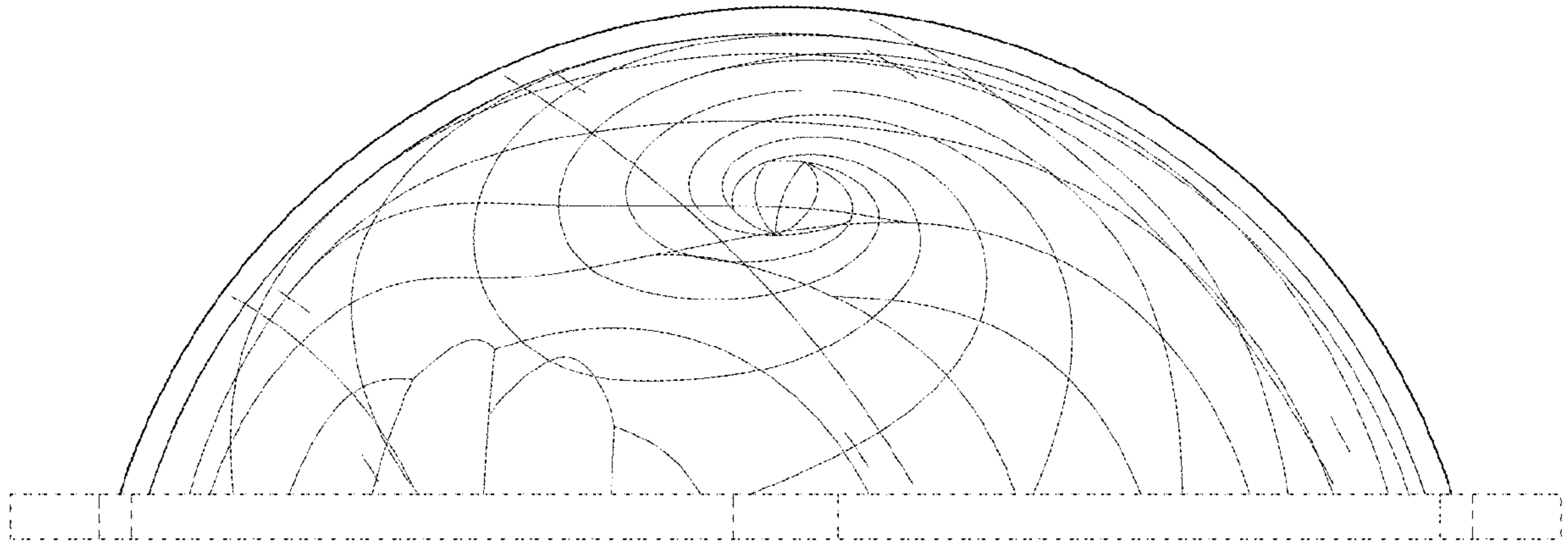


FIG. 5

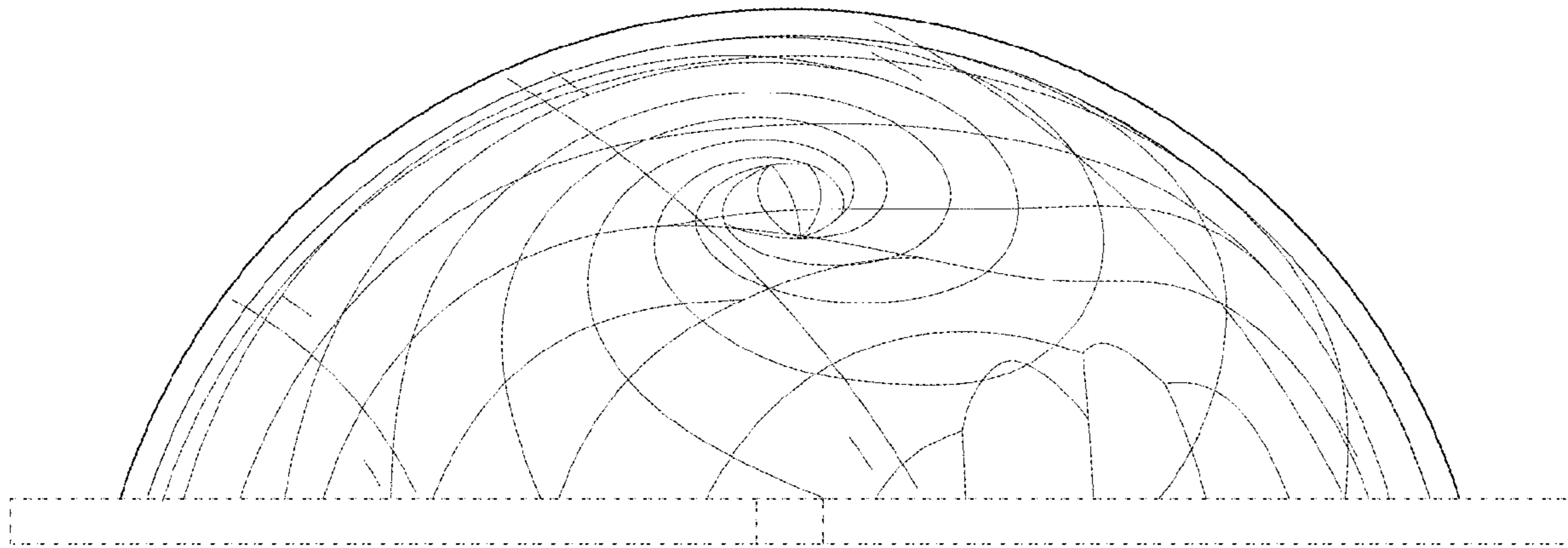


FIG. 6

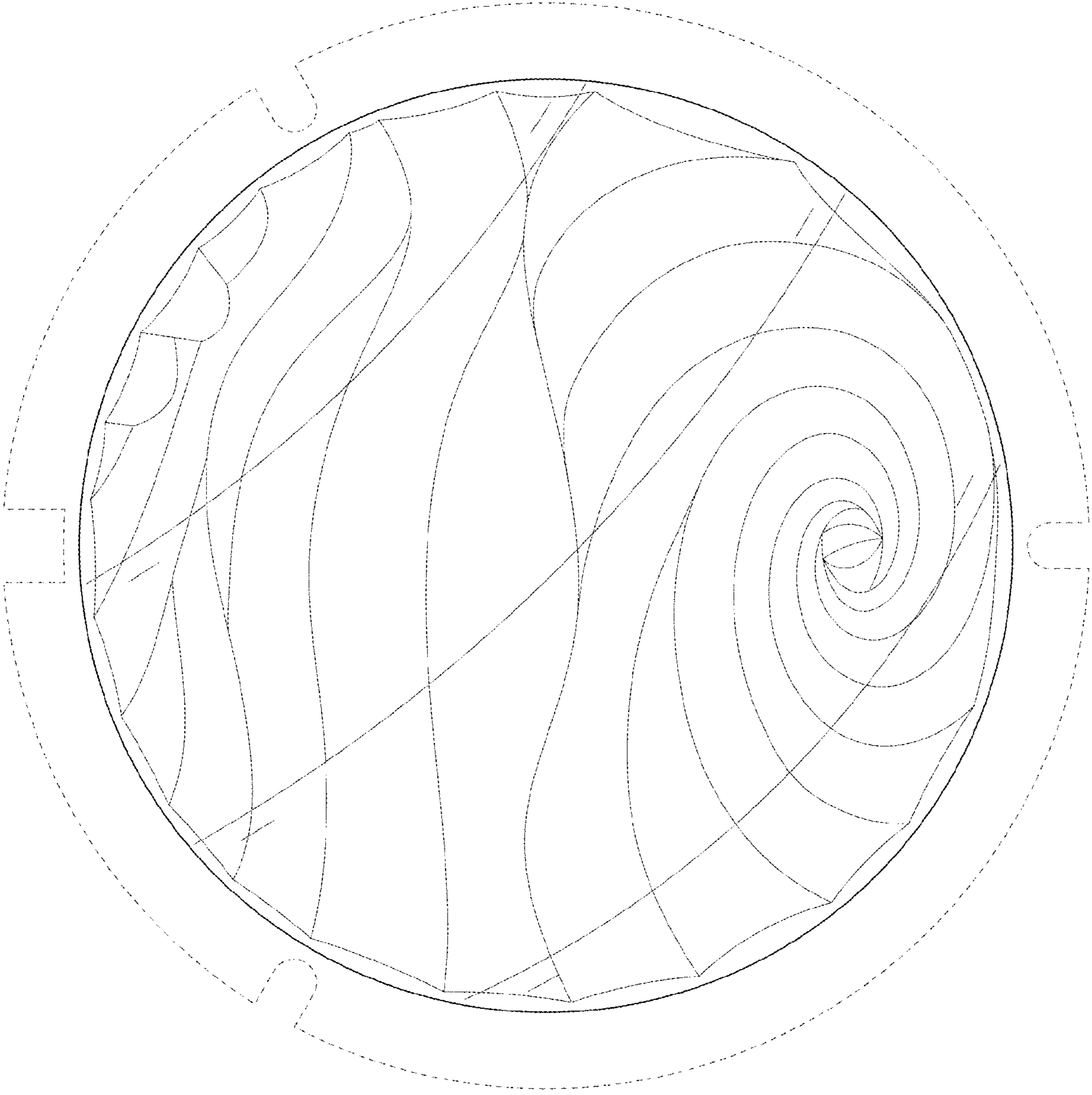


FIG. 7

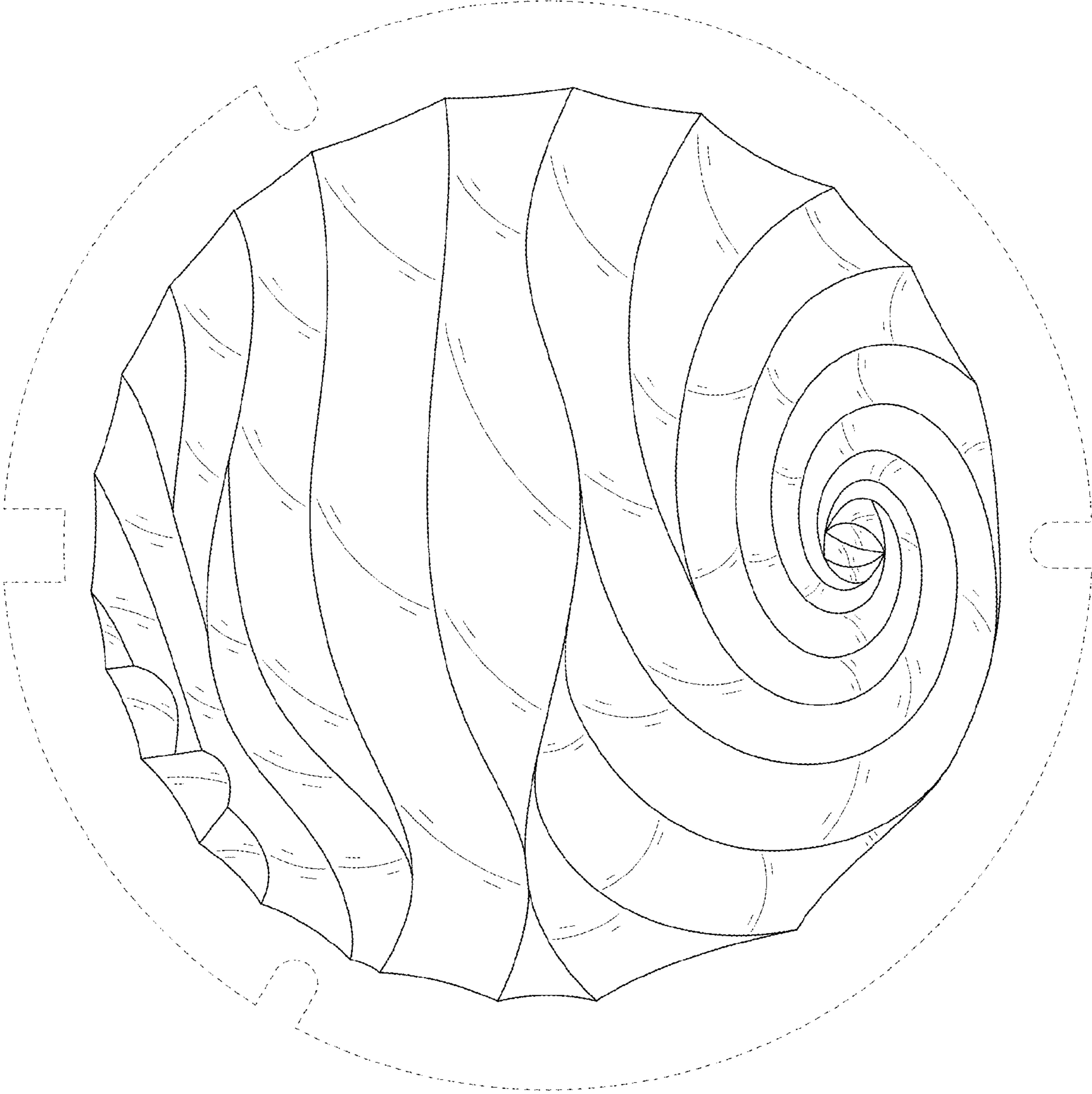


FIG. 8