



US00D982818S

(12) **United States Design Patent** (10) **Patent No.:** **US D982,818 S**
Lan et al. (45) **Date of Patent:** **** Apr. 4, 2023**

(54) **LED LAMP**

9/02; F21V 21/10; F21V 21/108; F21W 2121/008

(71) Applicant: **SHENZHEN GUANKE TECHNOLOGIES CO., LTD,**
Shenzhen (CN)

See application file for complete search history.

(72) Inventors: **Qing Lan,** Shenzhen (CN); **Yuting Hou,** Shenzhen (CN); **Ligen Liu,** Shenzhen (CN); **Shoubao Chen,** Shenzhen (CN); **Wenhao Lin,** Shenzhen (CN)

(56) **References Cited**

U.S. PATENT DOCUMENTS

D653,795 S * 2/2012 Guercio D26/89
D829,363 S * 9/2018 Lan D26/119
10,281,127 B1 * 5/2019 Lan F21V 29/70
D855,872 S * 8/2019 Lan D26/119

(Continued)

FOREIGN PATENT DOCUMENTS

CN 305664262 * 3/2020

(73) Assignee: **SHENZHEN GUANKE TECHNOLOGIES CO., LTD,**
Shenzhen (CN)

OTHER PUBLICATIONS

Amazon, "60W LED Temporary Construction Work Light with IR Remote Control", first available Jul. 10, 2018. (<https://www.amazon.com/Temporary-Construction-Light-Remote-Control/dp/B07FDHZJRZ?th=1>) (Year: 2018).*

(Continued)

(**) Term: **15 Years**

Primary Examiner — Lauren D McVey

Assistant Examiner — Justin A Johnson

(21) Appl. No.: **29/731,907**

(74) *Attorney, Agent, or Firm* — Maier & Maier, PLLC

(22) Filed: **Apr. 20, 2020**

(30) **Foreign Application Priority Data**

Oct. 25, 2019 (CN) 201930585478.9

(51) **LOC (14) Cl.** **26-05**

(52) **U.S. Cl.**
USPC **D26/119**

(57) **CLAIM**

The ornamental design for a LED lamp, as shown and described.

(58) **Field of Classification Search**

USPC ... D26/1, 24, 37, 40, 41, 61, 62, 63, 64, 65,
D26/66, 93, 104, 105, 106, 107, 108, 110,
D26/113, 118, 119, 133, 134, 145

CPC F21L 2/00; F21L 4/00; F21L 4/02; F21L 4/025; F21L 4/027; F21L 14/00; F21S 2/00; F21S 8/03; F21S 8/033; F21S 8/035; F21S 6/002; F21S 6/004; F21S 8/036; F21S 8/037; F21S 9/00; F21S

DESCRIPTION

FIG. 1 is a front view of an LED lamp, showing our design;
FIG. 2 is a rear view thereof;
FIG. 3 is a left side view thereof;
FIG. 4 is a right side view thereof;
FIG. 5 is a top view thereof;
FIG. 6 is a bottom view thereof;
FIG. 7 is a top perspective view thereof;
FIG. 8 is a bottom perspective view thereof; and,

(Continued)

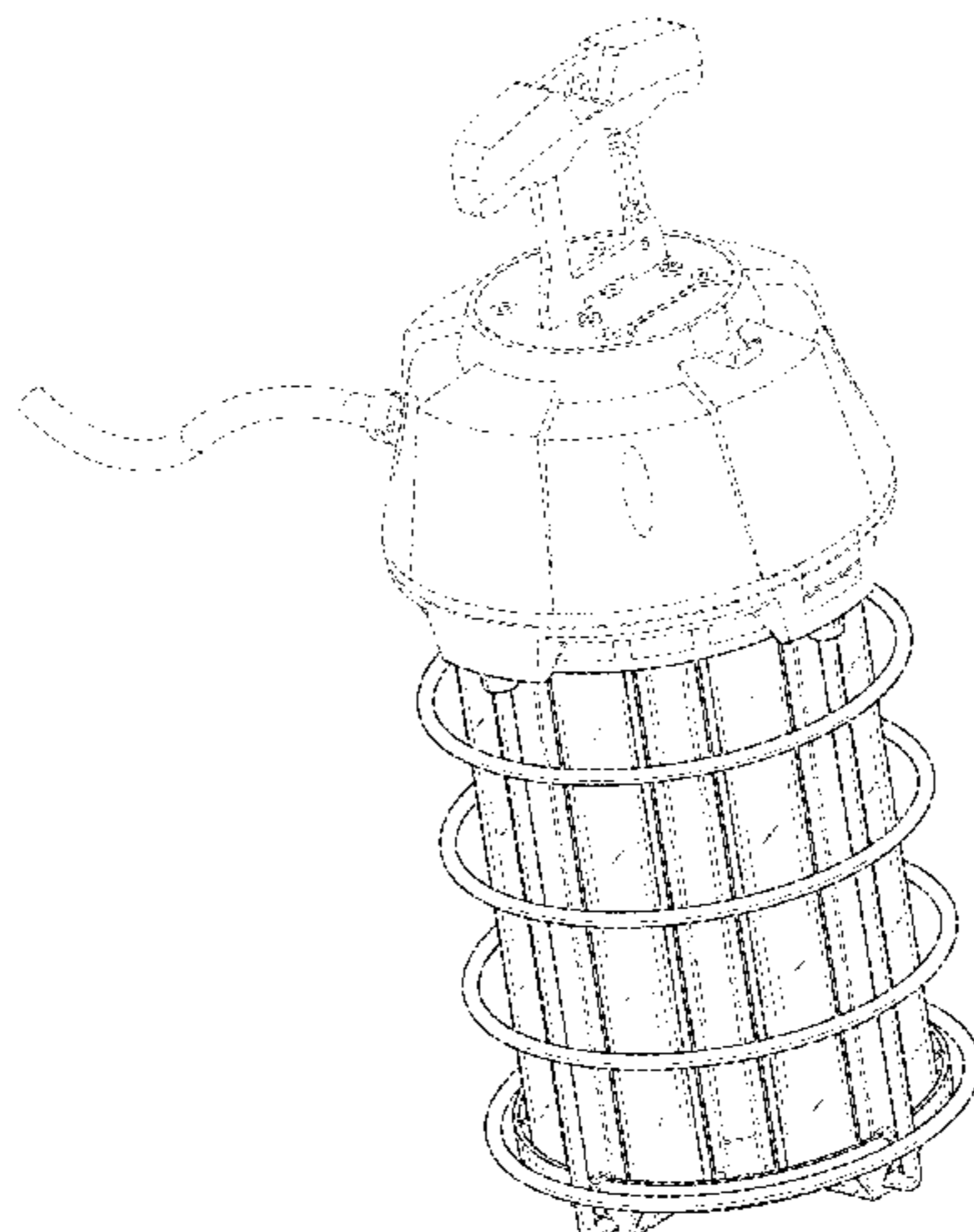


FIG. 9 is a top perspective view thereof showing a cover in an open position and additional environment. The broken line showing in the Figures illustrates portions of the LED lamp or of the environment and forms no part of the claimed design.

D946,798	S	*	3/2022	Ma	D26/41
D956,293	S	*	6/2022	Zhang	F21V 15/02
						D26/41
D956,342	S	*	6/2022	Deng	D26/119
D956,344	S	*	6/2022	Deng	D26/119
2019/0195477	A1	*	6/2019	Garvin	F21V 21/096

1 Claim, 9 Drawing Sheets

OTHER PUBLICATIONS

(56)

References Cited

U.S. PATENT DOCUMENTS

D858,863	S	*	9/2019	Deng	D26/119
D875,288	S	*	2/2020	Holmes	D26/59
10,551,042	B2	*	2/2020	Garvin	F21V 15/02
D907,823	S	*	1/2021	Lou	F21V 29/70
						D26/40
D917,740	S	*	4/2021	Lan	F21V 21/096
						D26/25

Amazon, "Dephen 130W LED Temporary Work Light", first available Dec. 17, 2019. (<https://www.amazon.com/dp/B082VSJ23J/?th=1>) (Year: 2019).*

Amazon, "Satco S38975 150 Watt LED Hi-Lumen Temporary Hi-Bay Caged lamp", first available Jun. 17, 2020. (<https://www.amazon.com/Satco-S38975-Hi-Lumen-Temporary-Hi-Bay/dp/B08BCS5DCL>) (Year: 2020).*

Amazon, "ZP 250W LED Temporary Work Light", first available Jan. 19, 2022. (<https://www.amazon.com/dp/B09QP93PMP/?th=1>) (Year: 2022).*

* cited by examiner

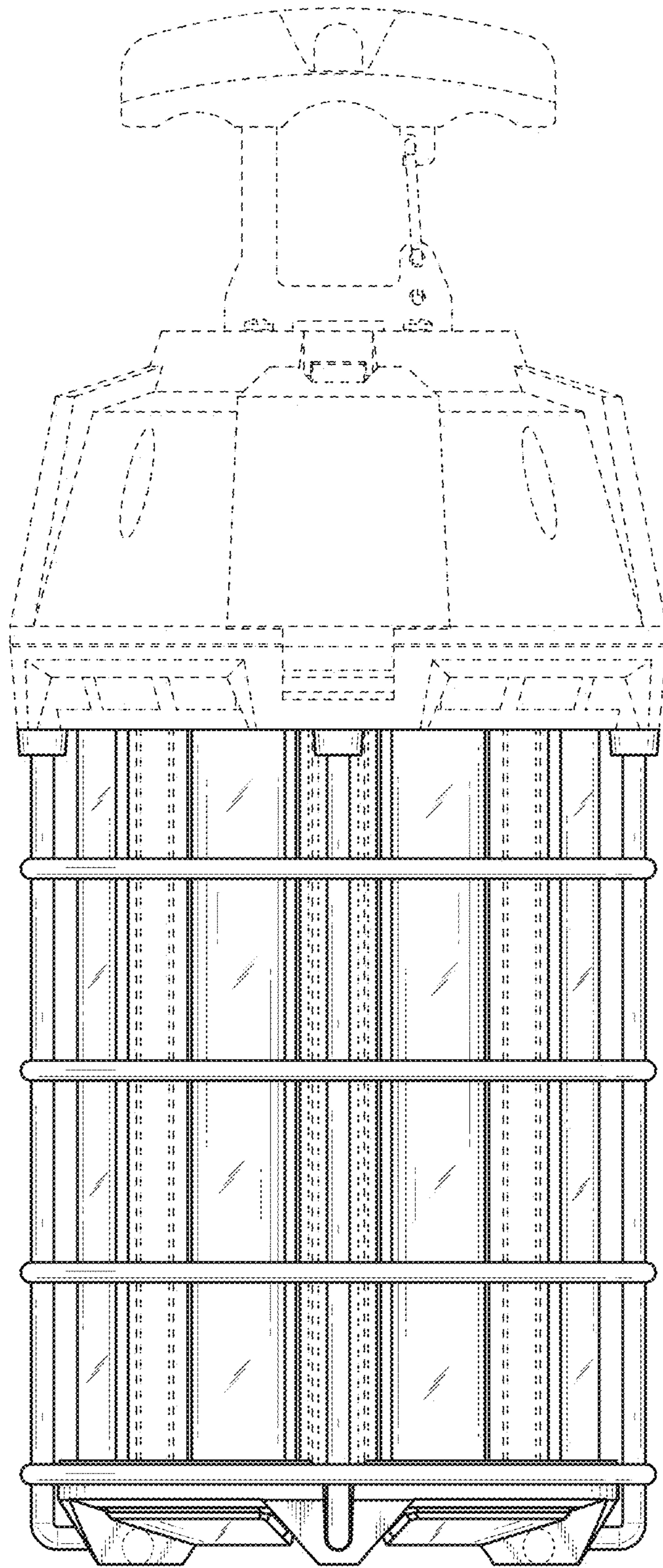


FIG.1

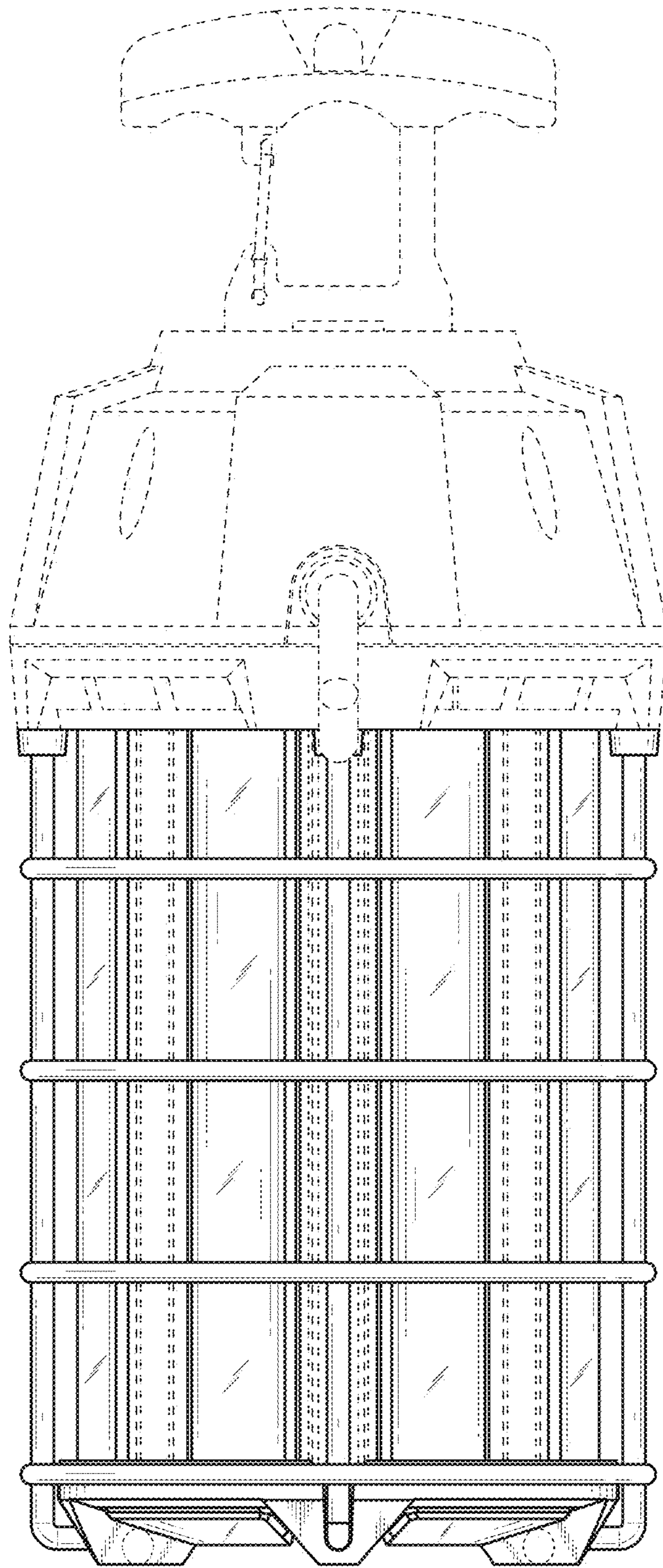


FIG. 2

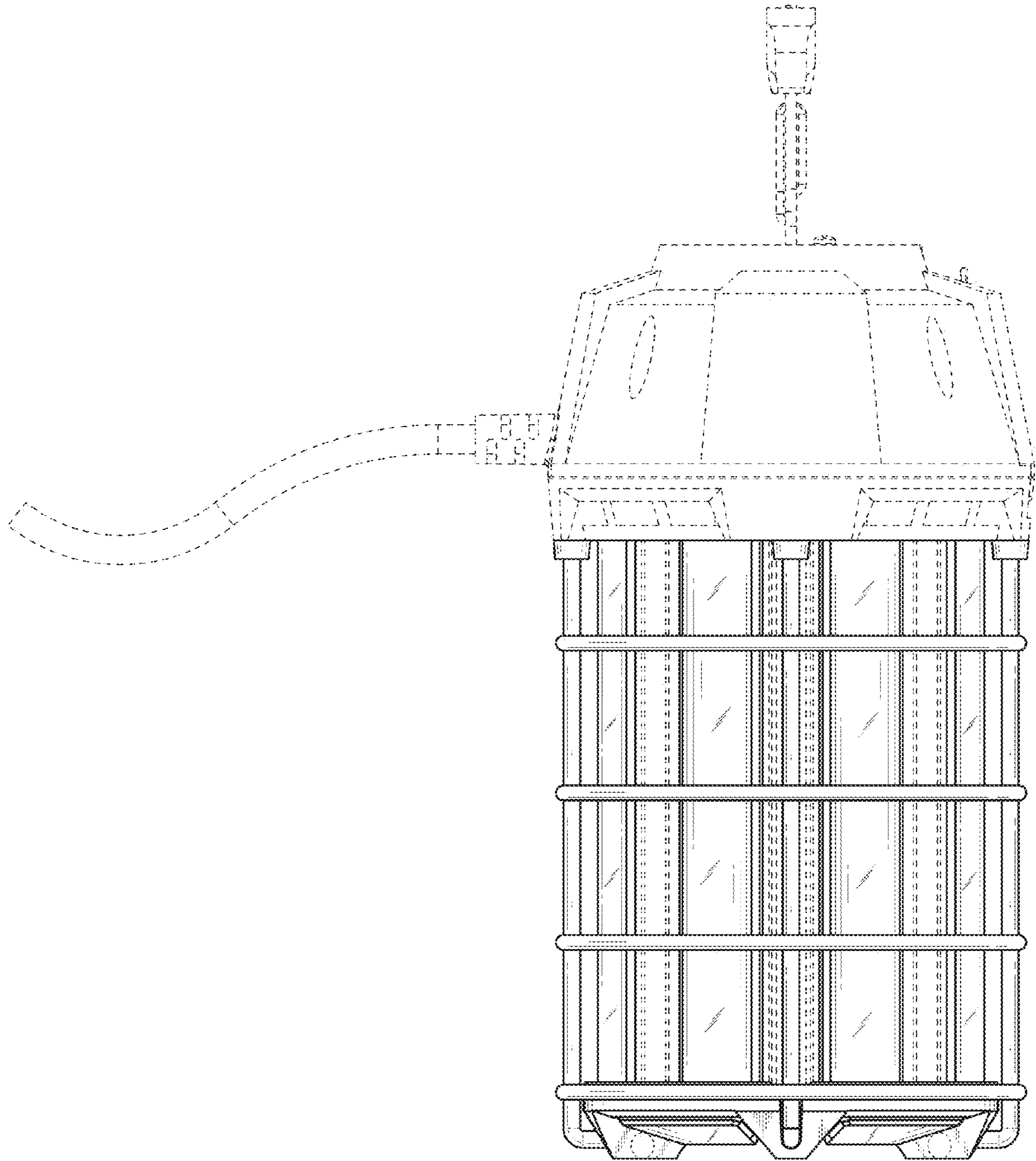


FIG.3

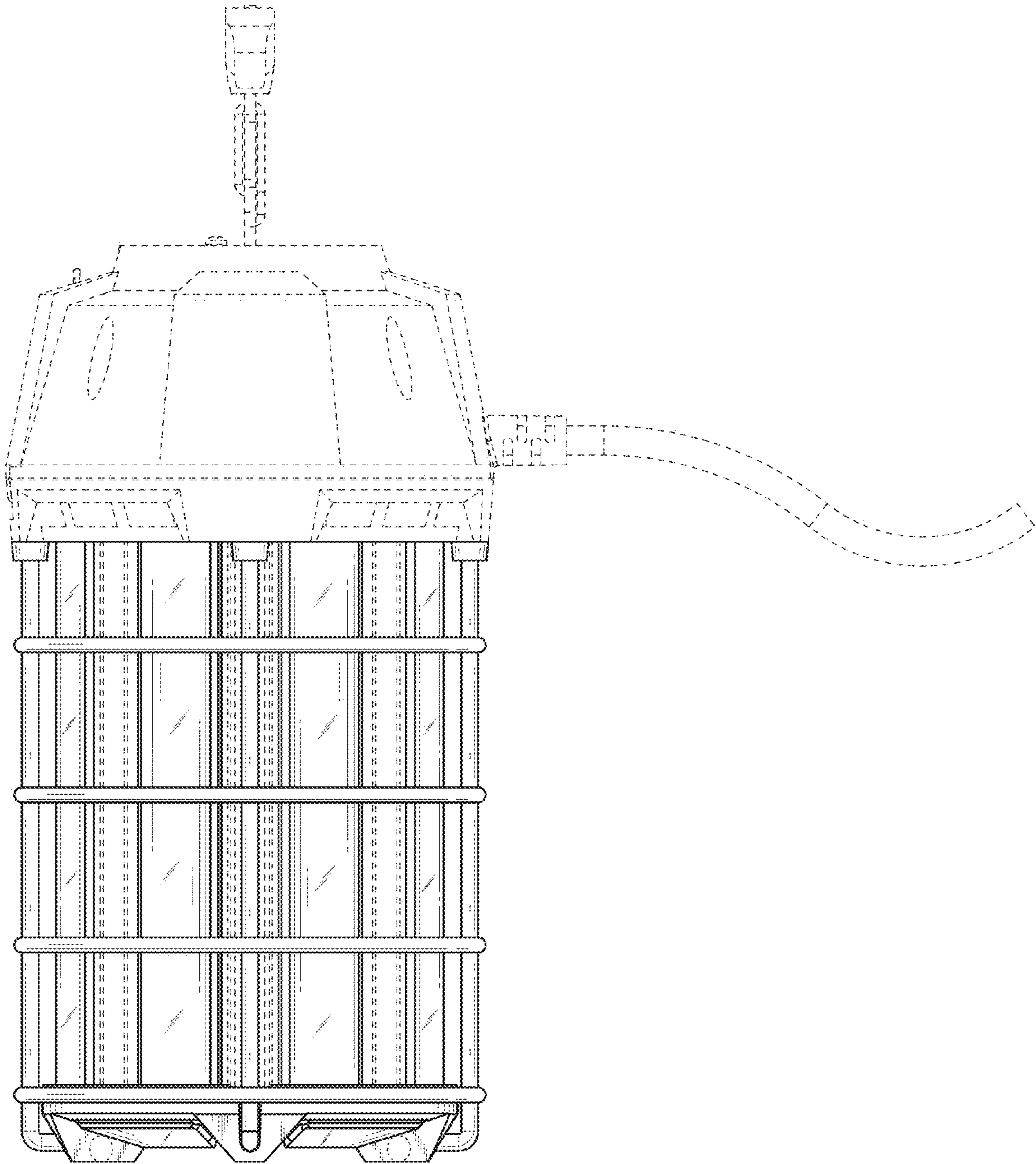


FIG.4

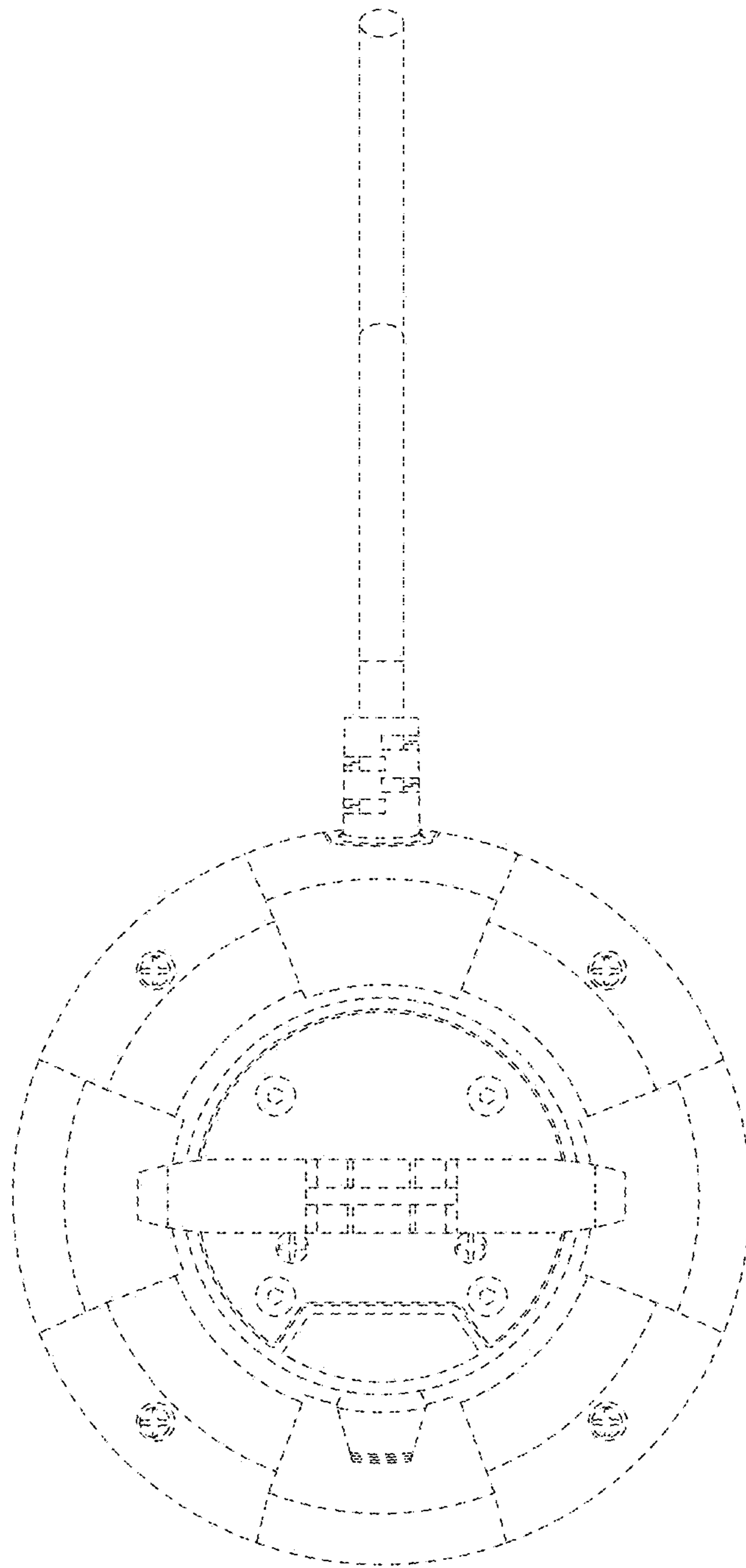


FIG.5

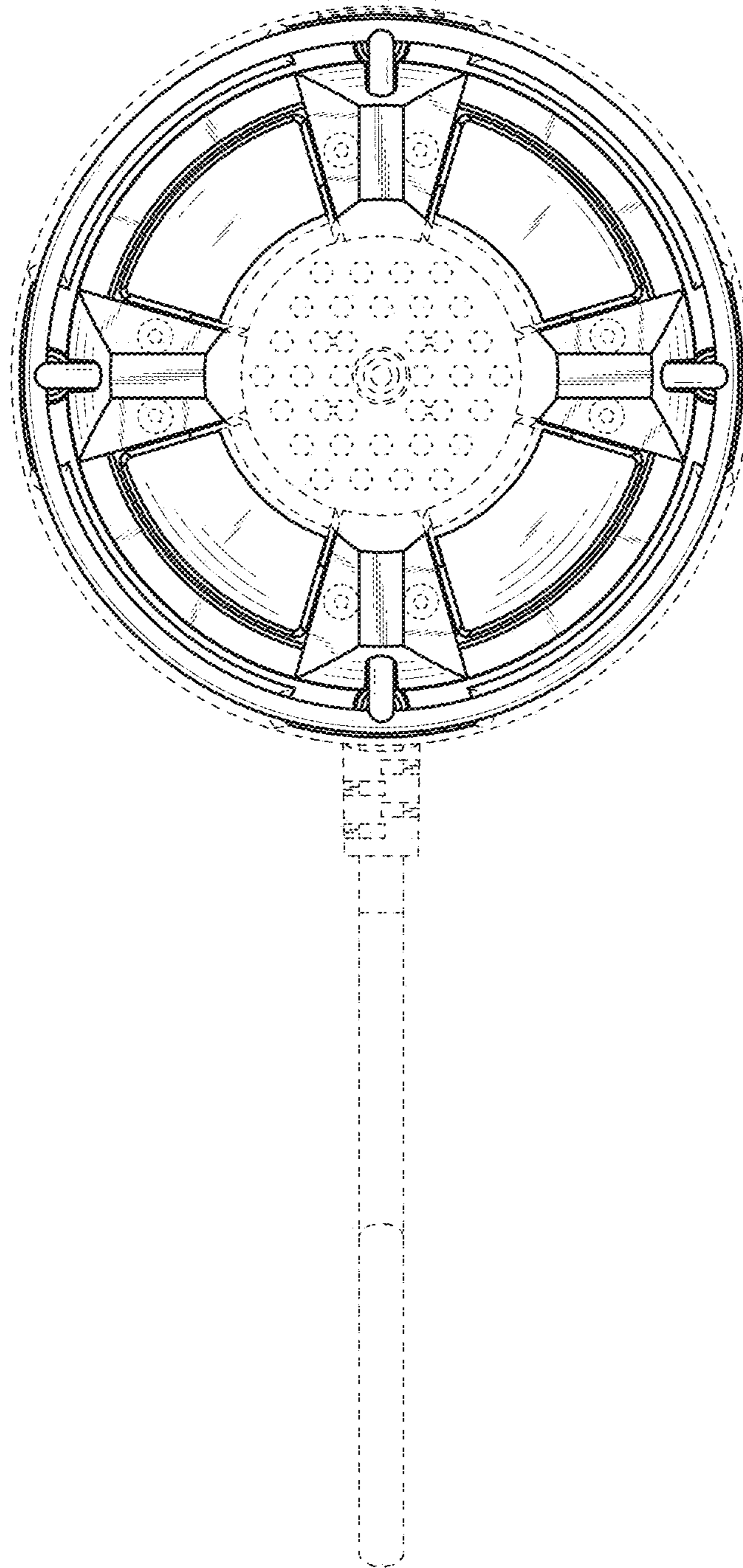


FIG.6

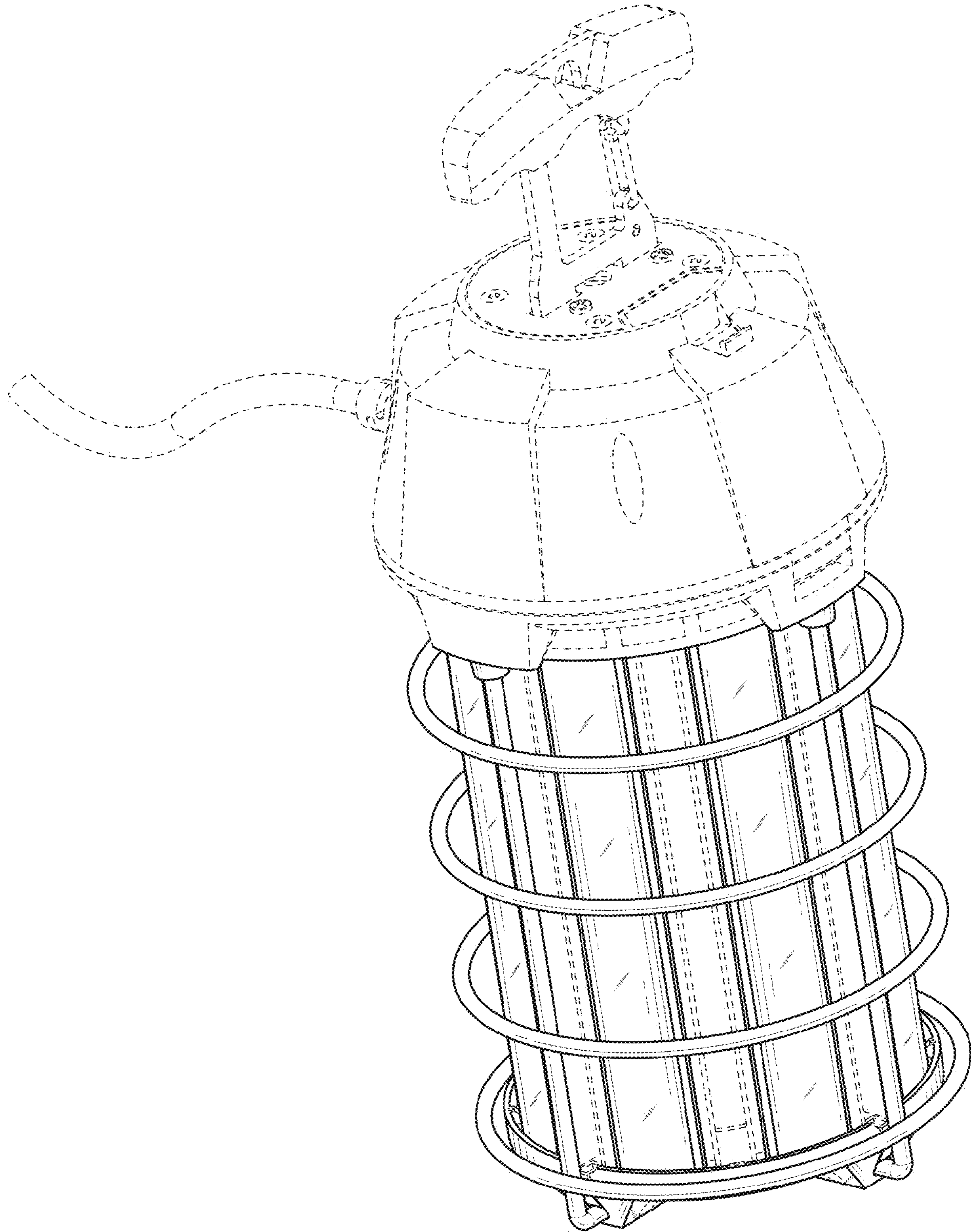


FIG. 7

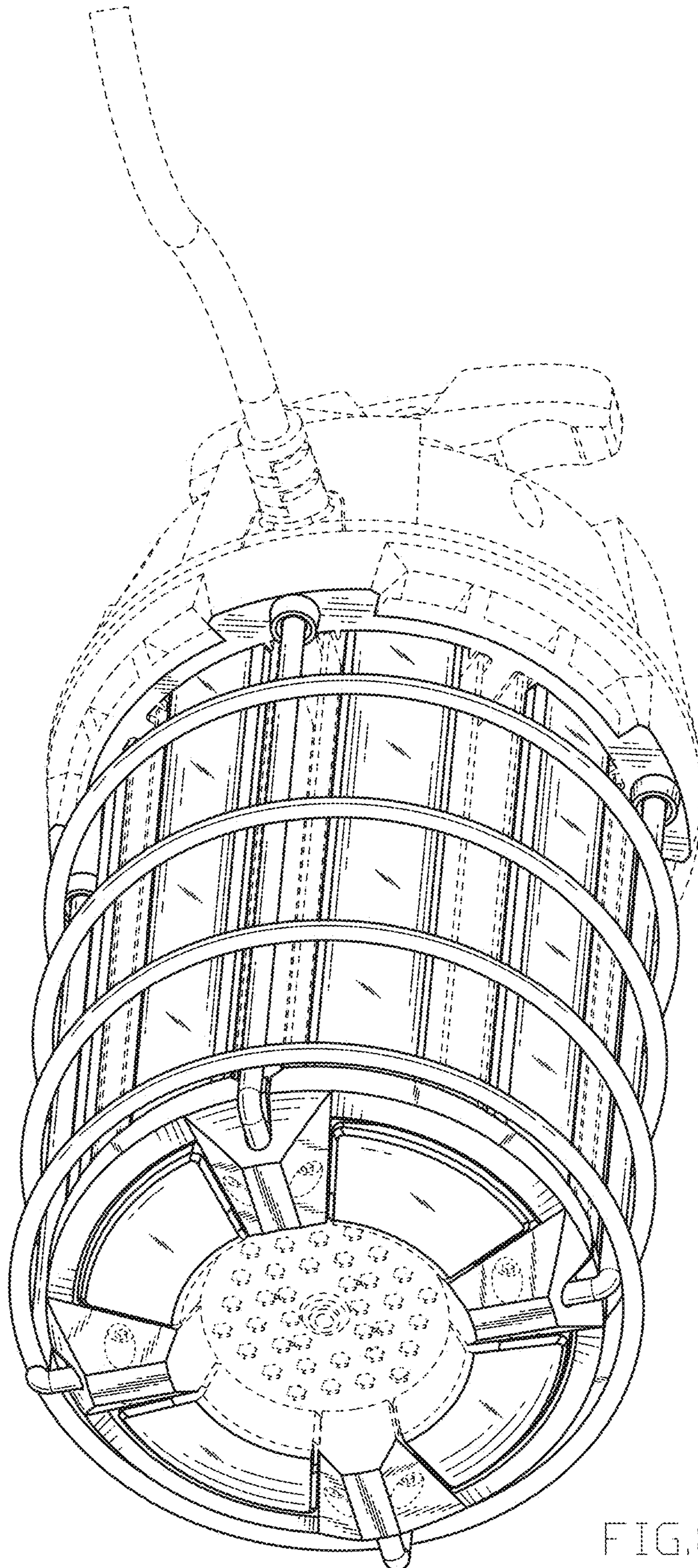


FIG.8

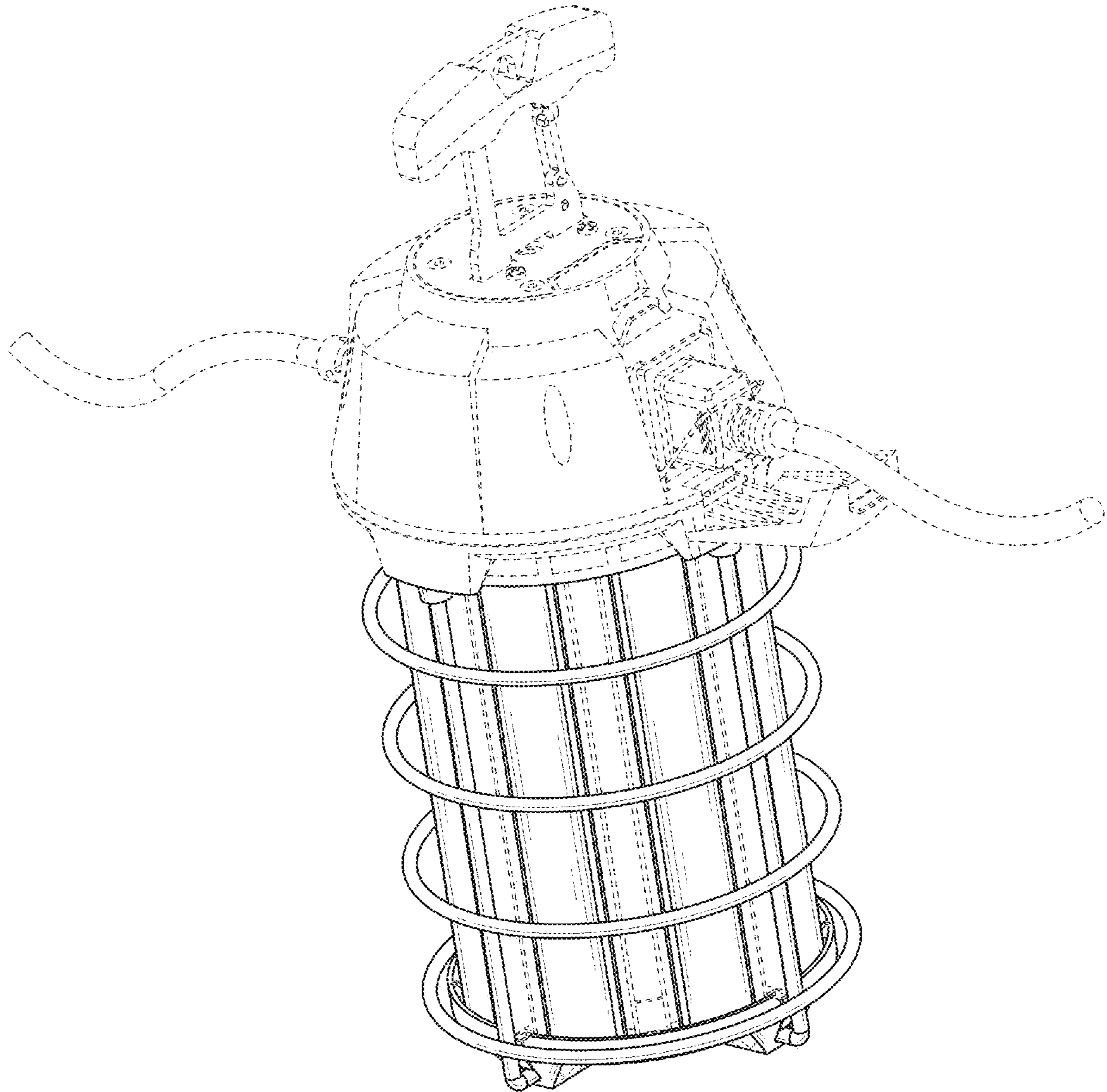


FIG.9