



US00D982816S

(12) **United States Design Patent** (10) **Patent No.:** **US D982,816 S**  
**Liu** (45) **Date of Patent:** **\*\* Apr. 4, 2023**

(54) **TABLE LAMP**  
(71) Applicant: **Xiangzhou Liu**, Hunan (CN)  
(72) Inventor: **Xiangzhou Liu**, Hunan (CN)  
(\*\*) Term: **15 Years**  
(21) Appl. No.: **29/726,841**  
(22) Filed: **Mar. 5, 2020**  
(51) **LOC (14) Cl.** ..... **26-05**  
(52) **U.S. Cl.**  
USPC ..... **D26/107**  
(58) **Field of Classification Search**  
USPC ..... D26/1, 93, 104, 106, 107  
CPC ..... F21L 2/00; F21L 4/00; F21L 4/02; F21L 4/025; F21L 4/027; F21L 14/00; F21S 2/00; F21S 8/03; F21S 8/033; F21S 8/035; F21S 6/002; F21S 6/004; F21S 8/036; F21S 8/037; F21S 9/00; F21S 9/02; F21V 21/10; F21V 21/108; F21W 2121/008  
See application file for complete search history.

D835,317 S \* 12/2018 Edgar ..... D26/51  
D870,701 S \* 12/2019 Lee ..... D14/216  
D898,981 S \* 10/2020 Liu ..... F21S 6/003  
D26/108

FOREIGN PATENT DOCUMENTS

CN 305212726 \* 6/2019

OTHER PUBLICATIONS

Amazon, "MAXvolador Industrial Table Lamp", first available Nov. 14, 2019. (<https://www.amazon.com/Industrial-Stepless-Dimmable-Nightstand-Included/dp/B081GW8VGJ/?th=1>) (Year: 2019).\*  
Amazon, "Nintiue Industrial Table Lamp", first available Dec. 10, 2019. (<https://www.amazon.com/Industrial-Dimmable-Nightstand-Bedroom-Included/dp/B082L69XY7/>) (Year: 2019).\*

(Continued)

*Primary Examiner* — Lauren D McVey  
*Assistant Examiner* — Justin A Johnson

(57) **CLAIM**

The ornamental design for a table lamp, as shown and described.

**DESCRIPTION**

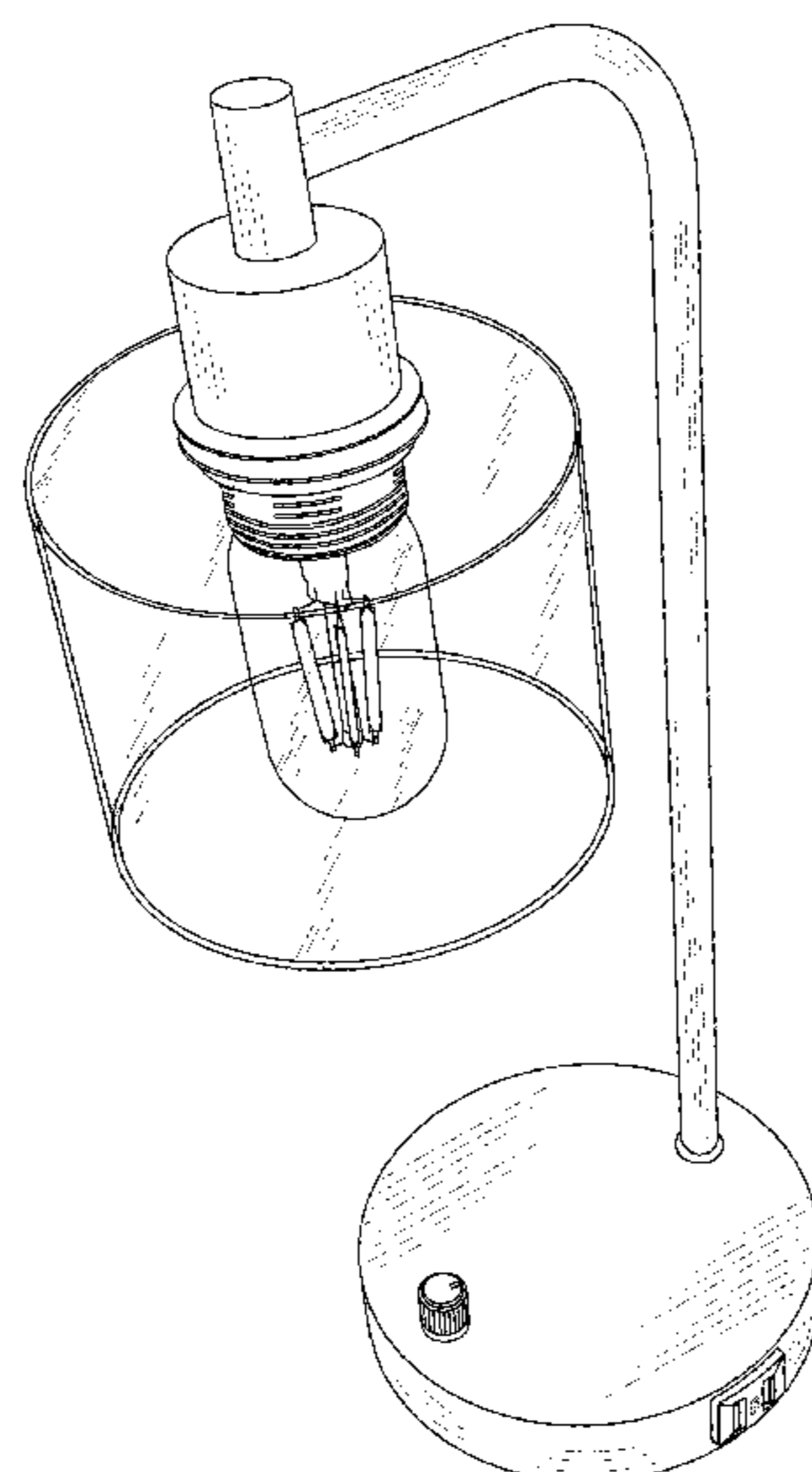
FIG. 1 is a front elevational view of a table lamp showing my new design;  
FIG. 2 is a rear elevational view thereof;  
FIG. 3 is a left side elevational view thereof;  
FIG. 4 is a right side elevational view thereof;  
FIG. 5 is a top plan view thereof;  
FIG. 6 is a bottom plan view thereof; and,  
FIG. 7 is a perspective view thereof.  
The broken lines in the drawings depict portions of the table lamp that form no part of the claimed design.

**1 Claim, 7 Drawing Sheets**

(56) **References Cited**

U.S. PATENT DOCUMENTS

1,953,504 A \* 4/1934 Romberg ..... F21S 6/002  
362/388  
3,711,695 A \* 1/1973 Orbach ..... F21S 6/003  
D26/56  
4,736,278 A \* 4/1988 Wolens ..... F21S 10/00  
362/124  
D391,665 S \* 3/1998 Yang ..... D26/108  
D574,990 S \* 8/2008 Tsai ..... D26/107  
D647,242 S \* 10/2011 Staples ..... F21S 6/002  
D26/110  
D742,573 S \* 11/2015 Kern ..... F21S 10/00  
D26/65  
D766,494 S \* 9/2016 Hoshikawa ..... F21V 1/04  
D26/107  
9,777,902 B1 \* 10/2017 Katterheinrich ..... F21V 1/04  
D826,458 S \* 8/2018 Amato ..... D26/87



(56)

**References Cited**

OTHER PUBLICATIONS

Amazon, "A.T.Lums Industrial Table Lamp", Sep. 28, 2021. (<https://www.amazon.com/dp/B09HBFFB5K/>) (Year: 2021).\*

Amazon, "Yarra-Decor Industrial Bedside Table Lamp", first available Nov. 30, 2021. (<https://www.amazon.com/dp/B09H2YH67B/>) (Year: 2021).\*

\* cited by examiner

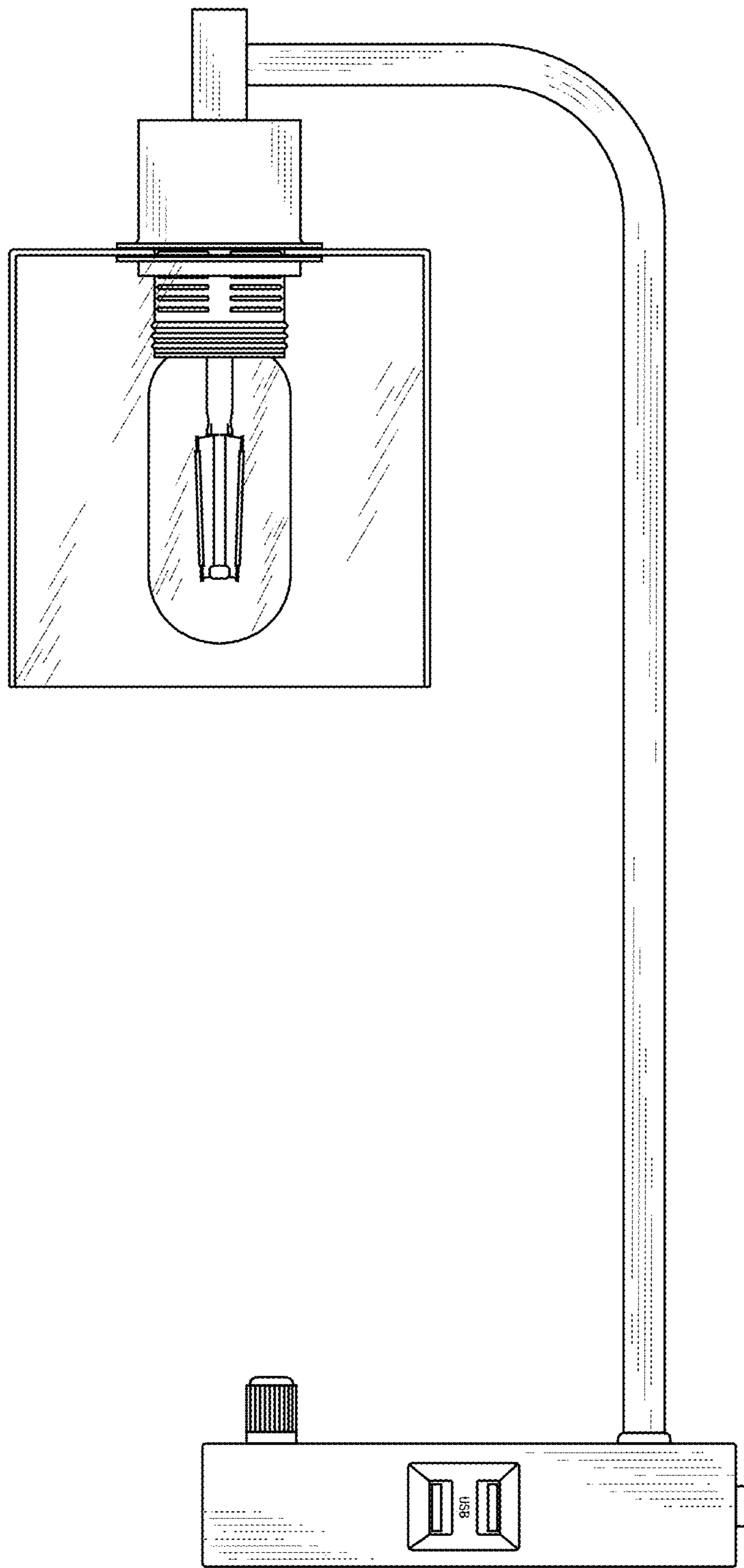


FIG. 1

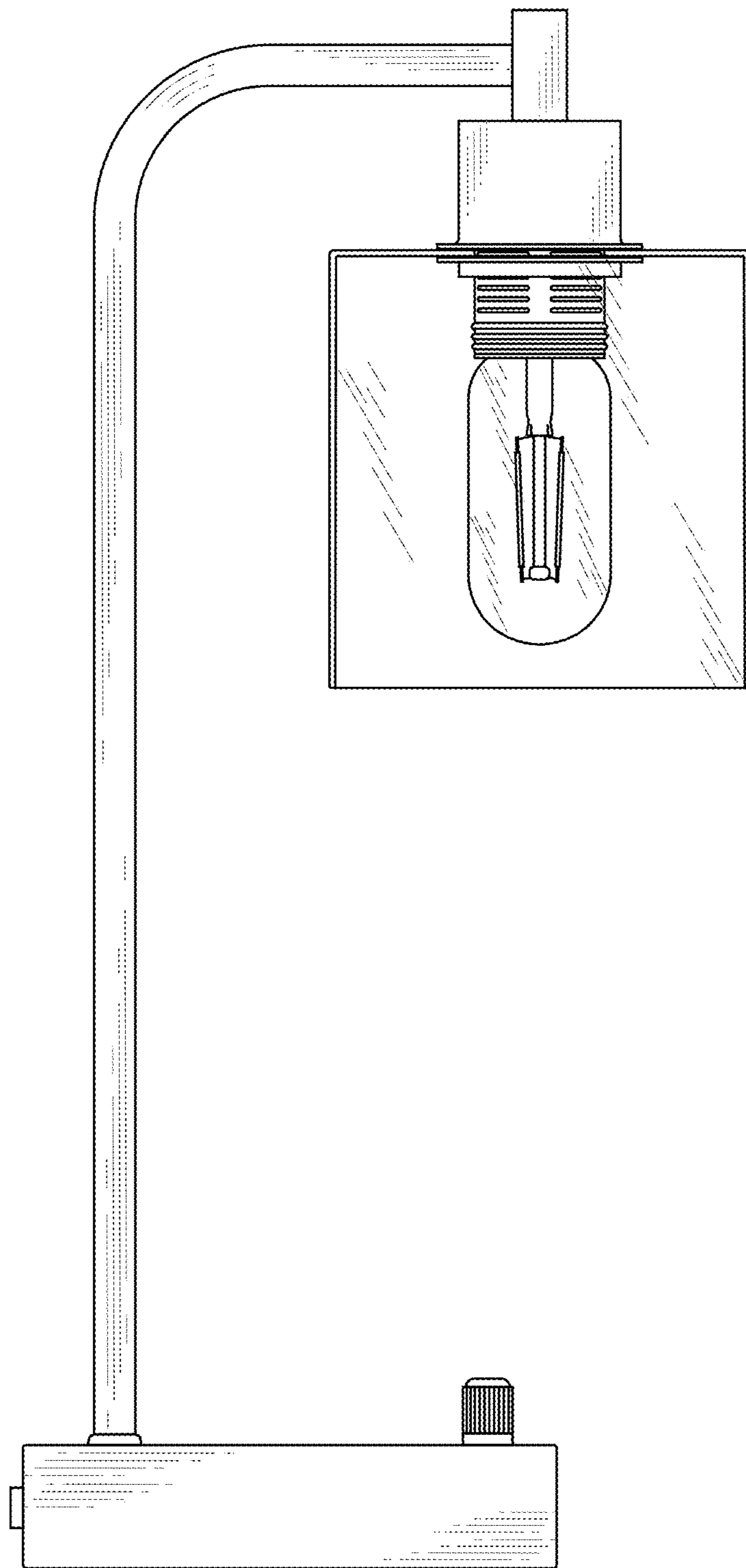


FIG. 2

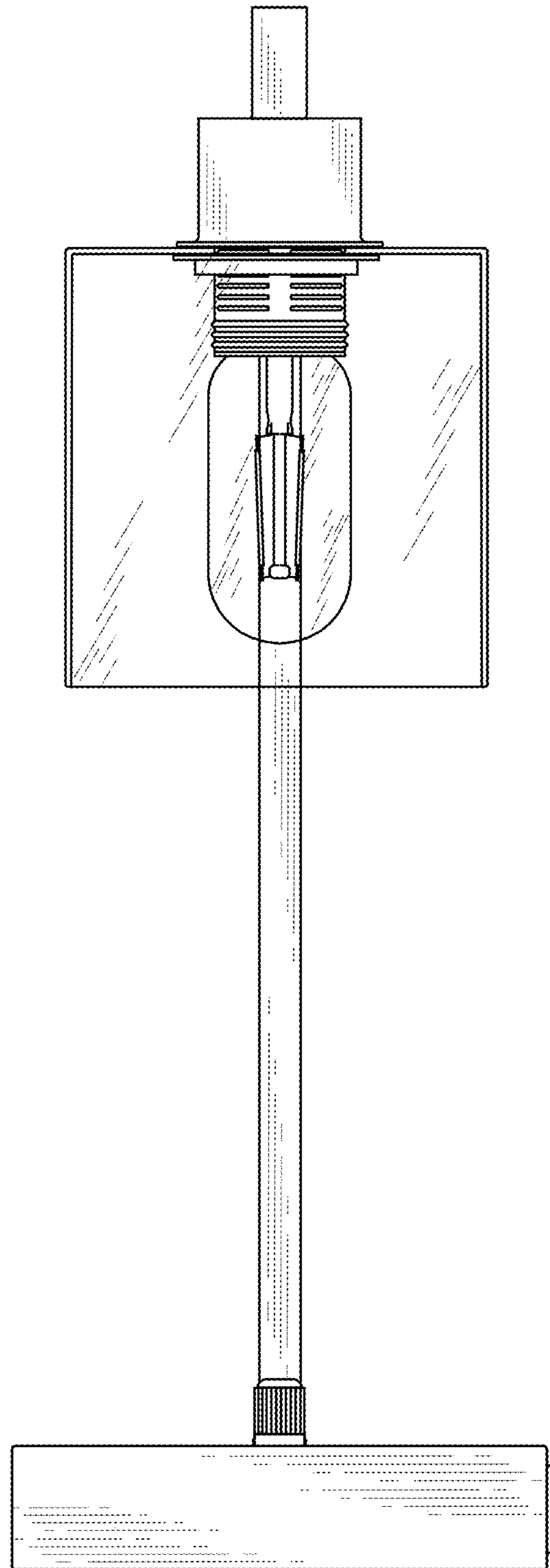


FIG. 3

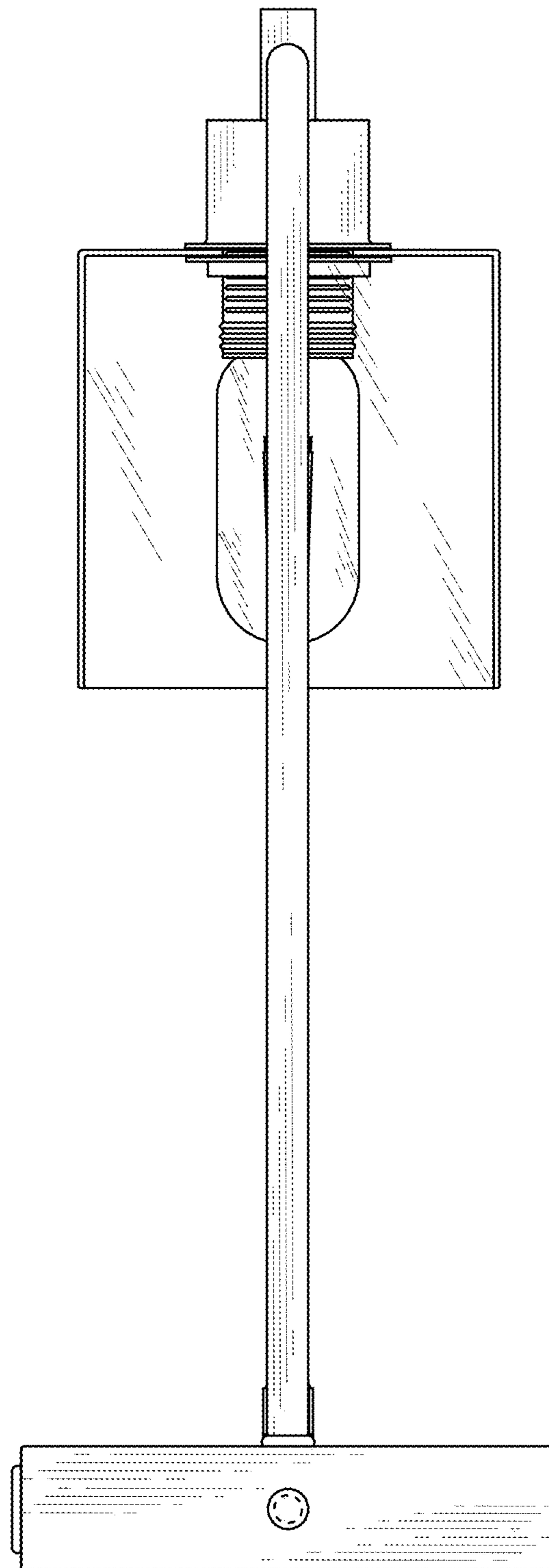


FIG. 4

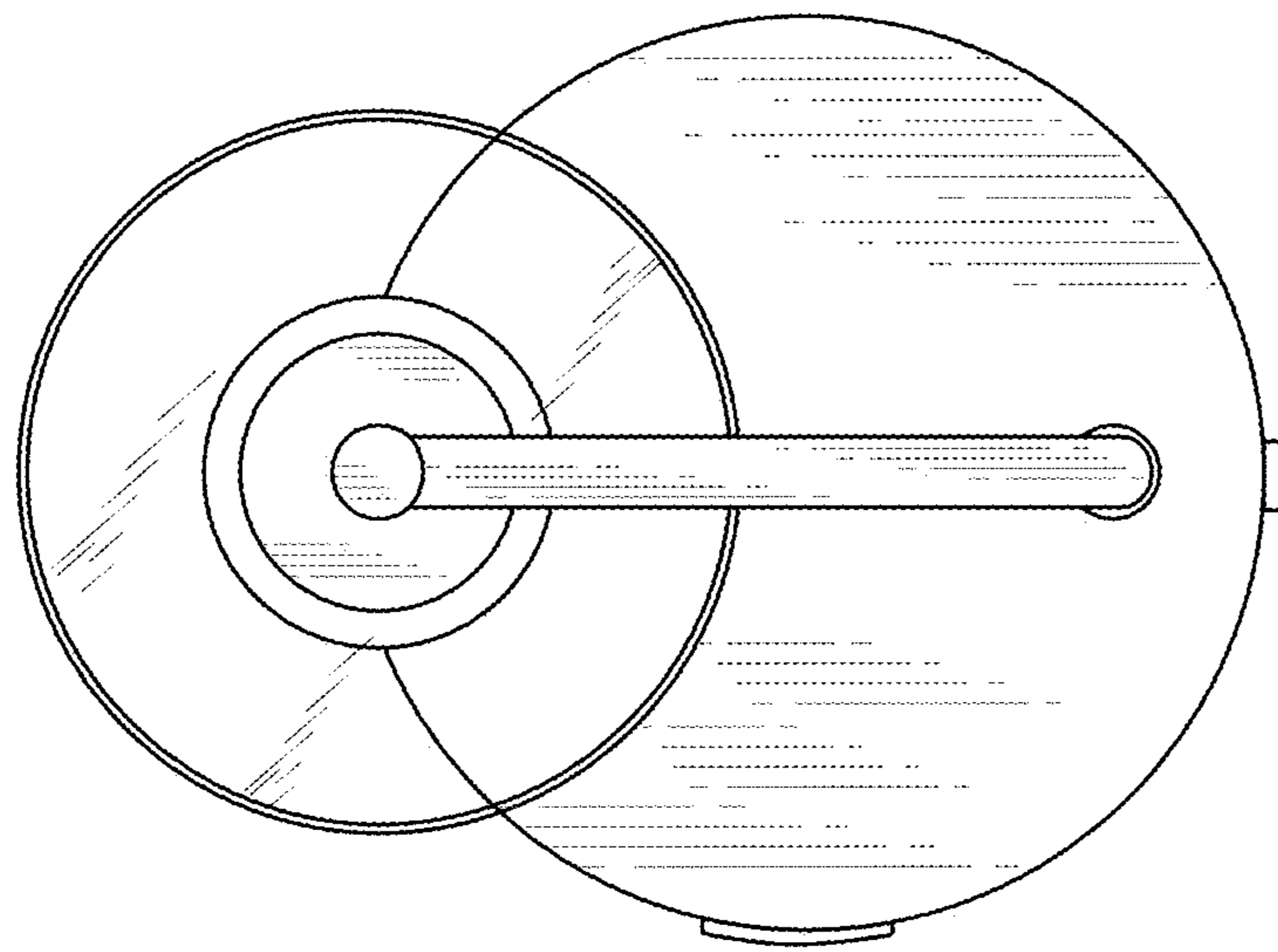


FIG. 5



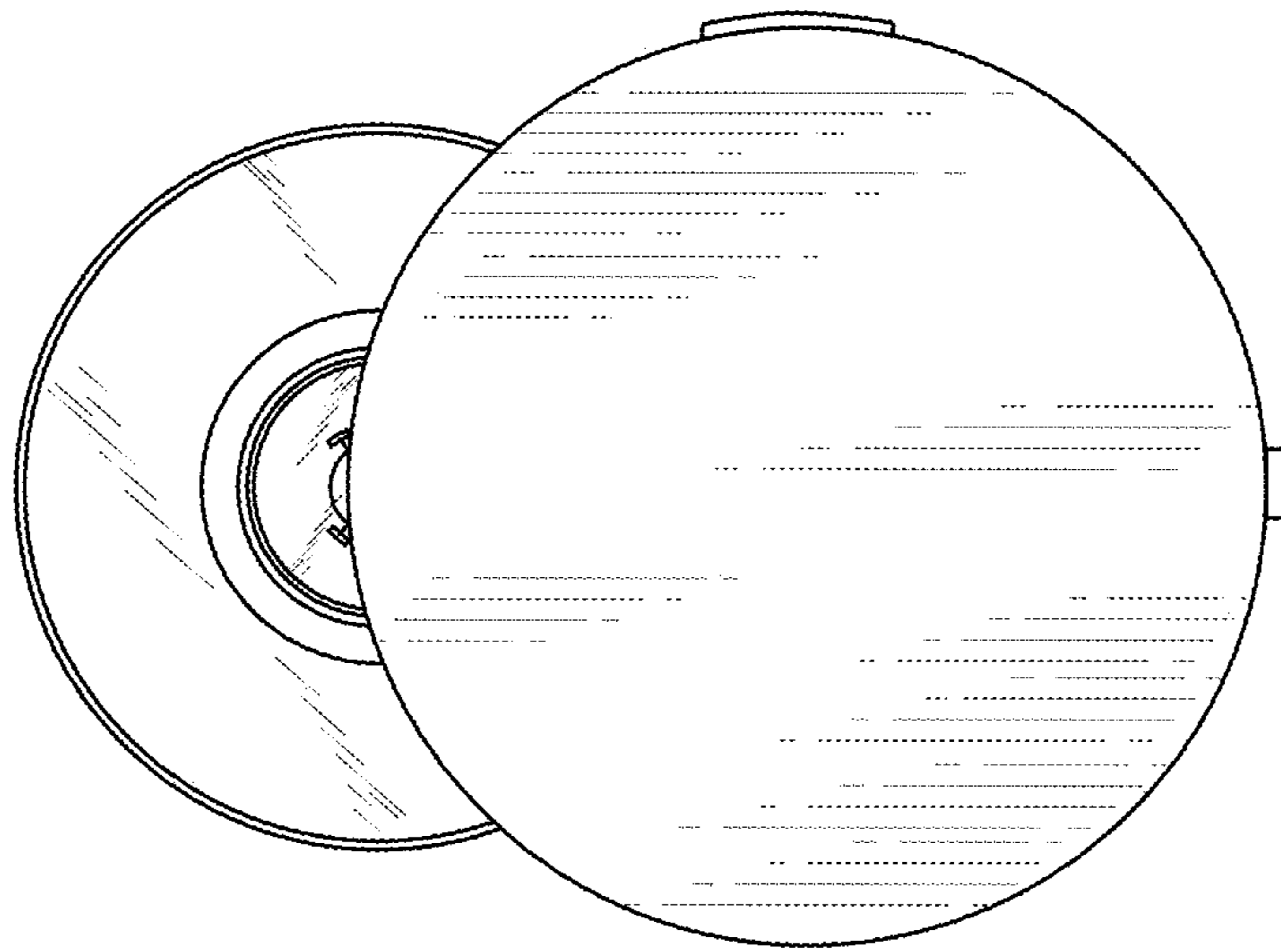


FIG. 6



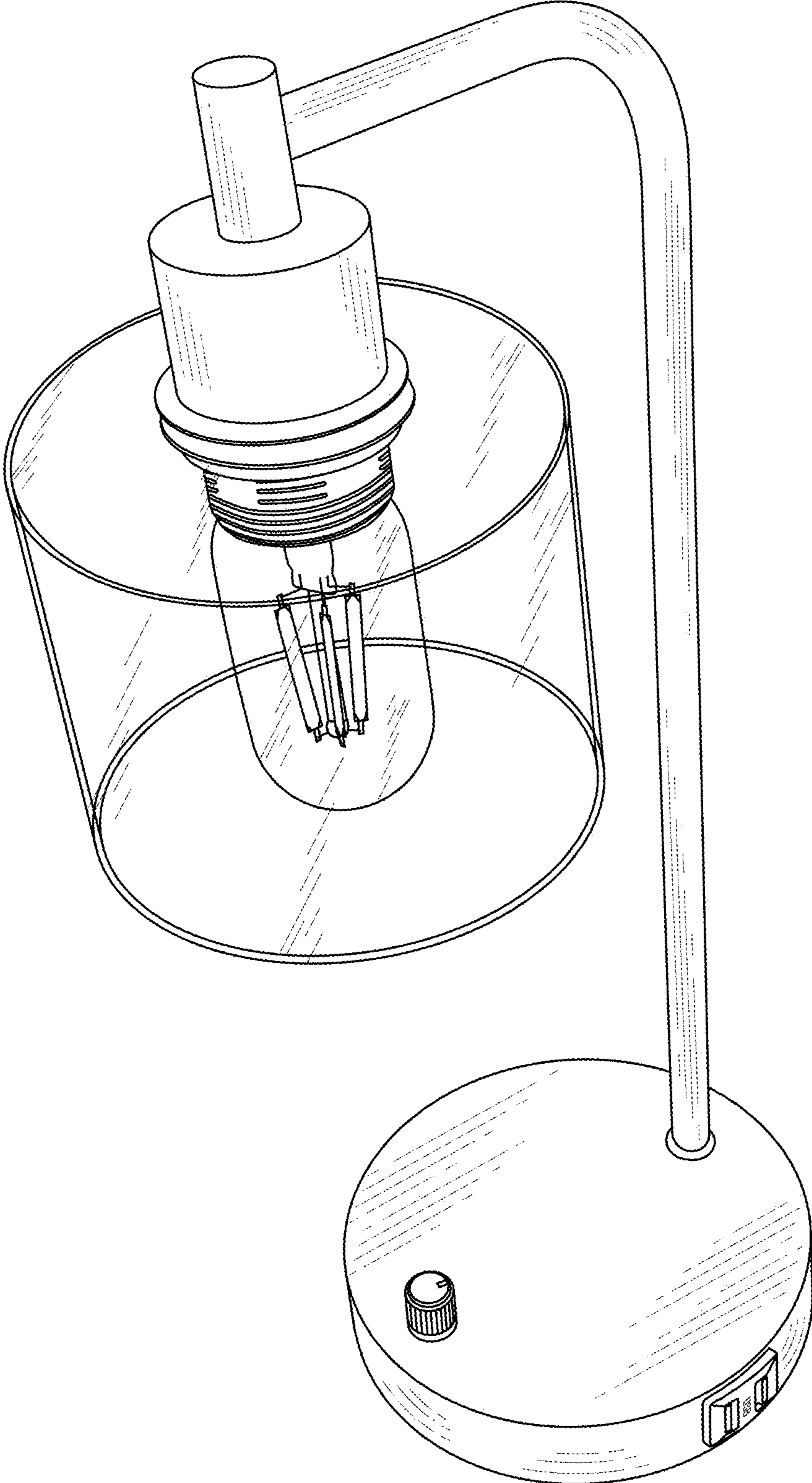


FIG. 7