



US00D982813S

(12) **United States Design Patent**  
**Han**

(10) **Patent No.:** **US D982,813 S**

(45) **Date of Patent:** **\*\* Apr. 4, 2023**

(54) **ROTATABLE AND COMBINE SHAPES RING LIGHT**

(71) Applicant: **Shenzhen Mairui Technology Co., Ltd.**, Shenzhen (CN)

(72) Inventor: **Xiaobing Han**, Shenzhen (CN)

(\*\*) Term: **15 Years**

(21) Appl. No.: **29/782,731**

(22) Filed: **May 8, 2021**

(51) **LOC (14) Cl.** ..... **26-05**

(52) **U.S. Cl.**  
USPC ..... **D26/104**

(58) **Field of Classification Search**  
USPC ..... D26/26, 60, 61, 67, 70, 106; D12/176,  
D12/177; D14/414; D21/133, 333  
CPC ..... F21Y 2115/10; F21Y 2105/00; F21Y  
2103/33; F21K 9/232; F21K 9/238; F21V  
3/02  
See application file for complete search history.

(56) **References Cited**

**U.S. PATENT DOCUMENTS**

D586,865 S *	2/2009	Ko	.....	D21/324
D615,131 S *	5/2010	Biheller	.....	D21/333
D637,655 S *	5/2011	Baumann	.....	D21/333
D716,993 S	11/2014	Rashid		
D773,105 S	11/2016	Feit		
D854,227 S	7/2019	Yu		
D855,242 S	7/2019	Chen		
D872,348 S *	1/2020	Liu	.....	D26/106
D873,328 S *	1/2020	Shen	.....	D26/113
D882,843 S *	4/2020	Kaiser	.....	D26/60
D903,185 S *	11/2020	Li	.....	D26/106

D907,836 S *	1/2021	Zhou	.....	D16/237
D944,442 S *	2/2022	Chen	.....	D26/93
D950,831 S *	5/2022	Wang	.....	D26/106
D957,714 S *	7/2022	Hodgson	.....	D26/106
D965,668 S *	10/2022	Ji	.....	D26/106
D967,502 S *	10/2022	Liang	.....	D26/106

**FOREIGN PATENT DOCUMENTS**

GB 6136037 \* 5/2021

\* cited by examiner

*Primary Examiner* — Cary M Robinson

*Assistant Examiner* — Julie Marie Bailey

(74) *Attorney, Agent, or Firm* — Rumit Ranjit Kanakia

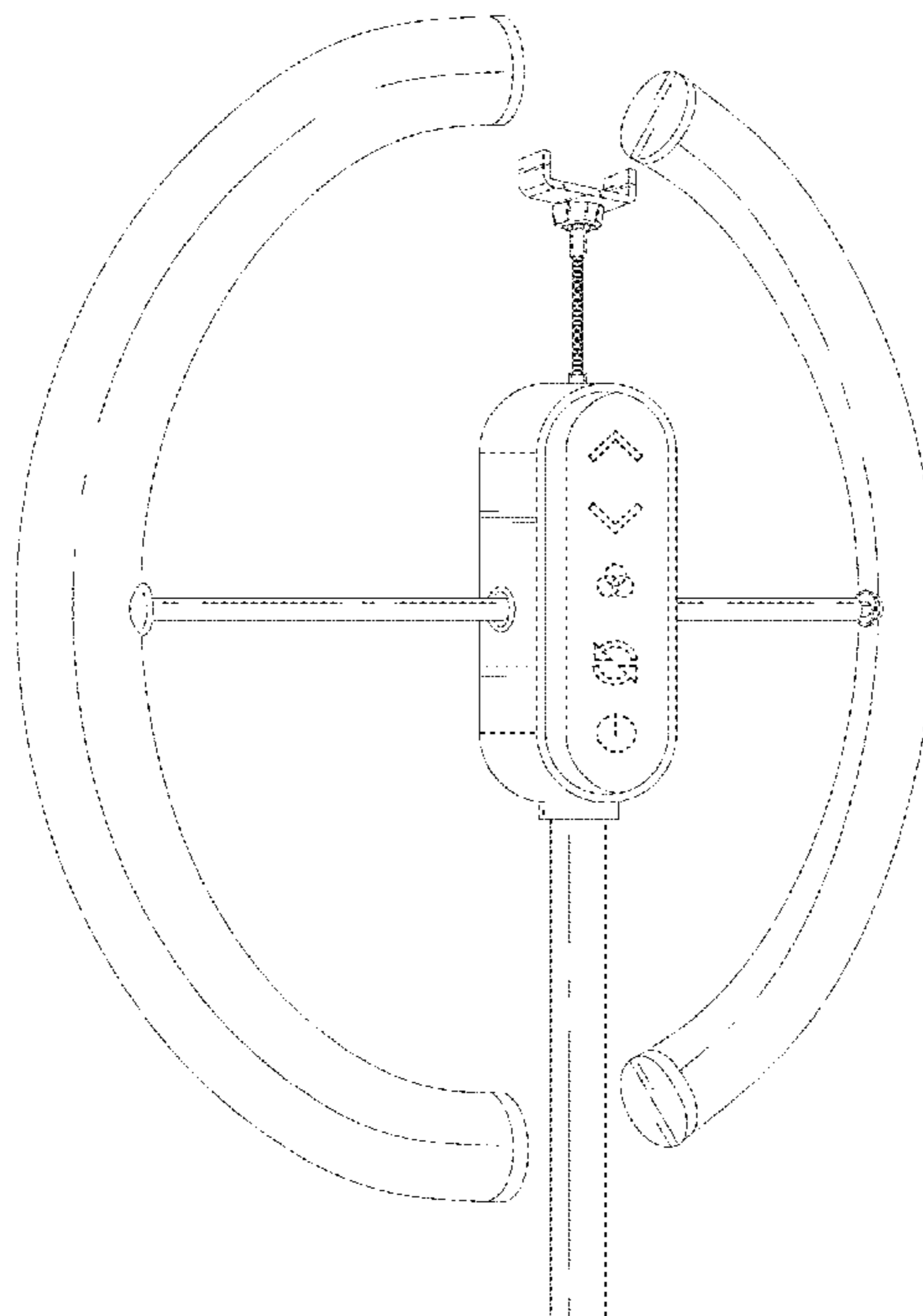
(57) **CLAIM**

I claim the ornamental design for a rotatable and combine shapes ring light, as shown and described.

**DESCRIPTION**

FIG. 1 is a Perspective view of a rotatable and combine shapes ring light showing my new design;  
FIG. 2 is a Front view thereof;  
FIG. 3 is a Back view thereof;  
FIG. 4 is a Left-side view thereof;  
FIG. 5 is a Right-side view thereof;  
FIG. 6 is a Top view thereof; and,  
FIG. 7 is a Bottom view thereof.  
The broken lines in the drawings depict portions of the rotatable and combine shapes ring light that form no part of the claimed design.

**1 Claim, 5 Drawing Sheets**



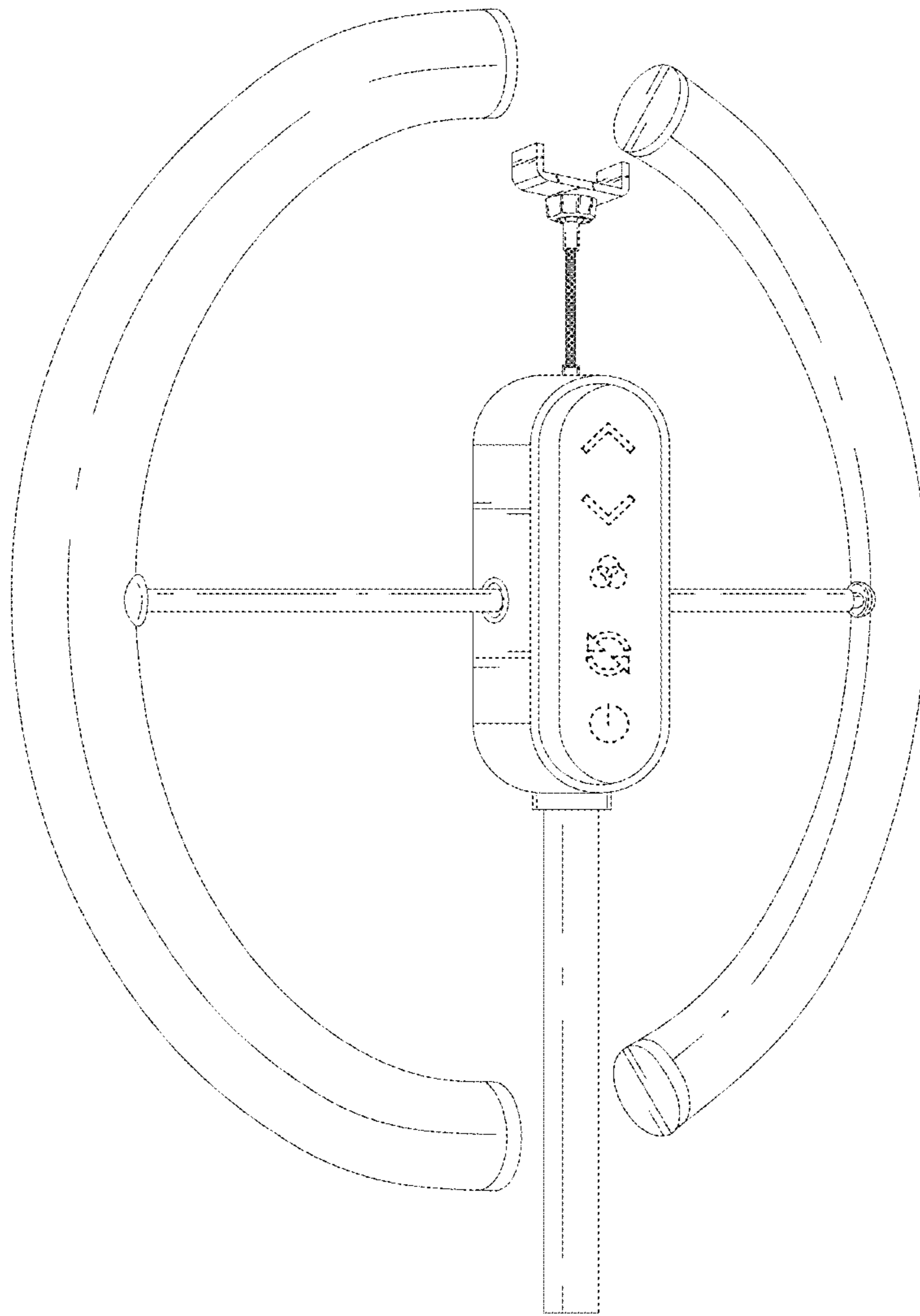


FIG. 1

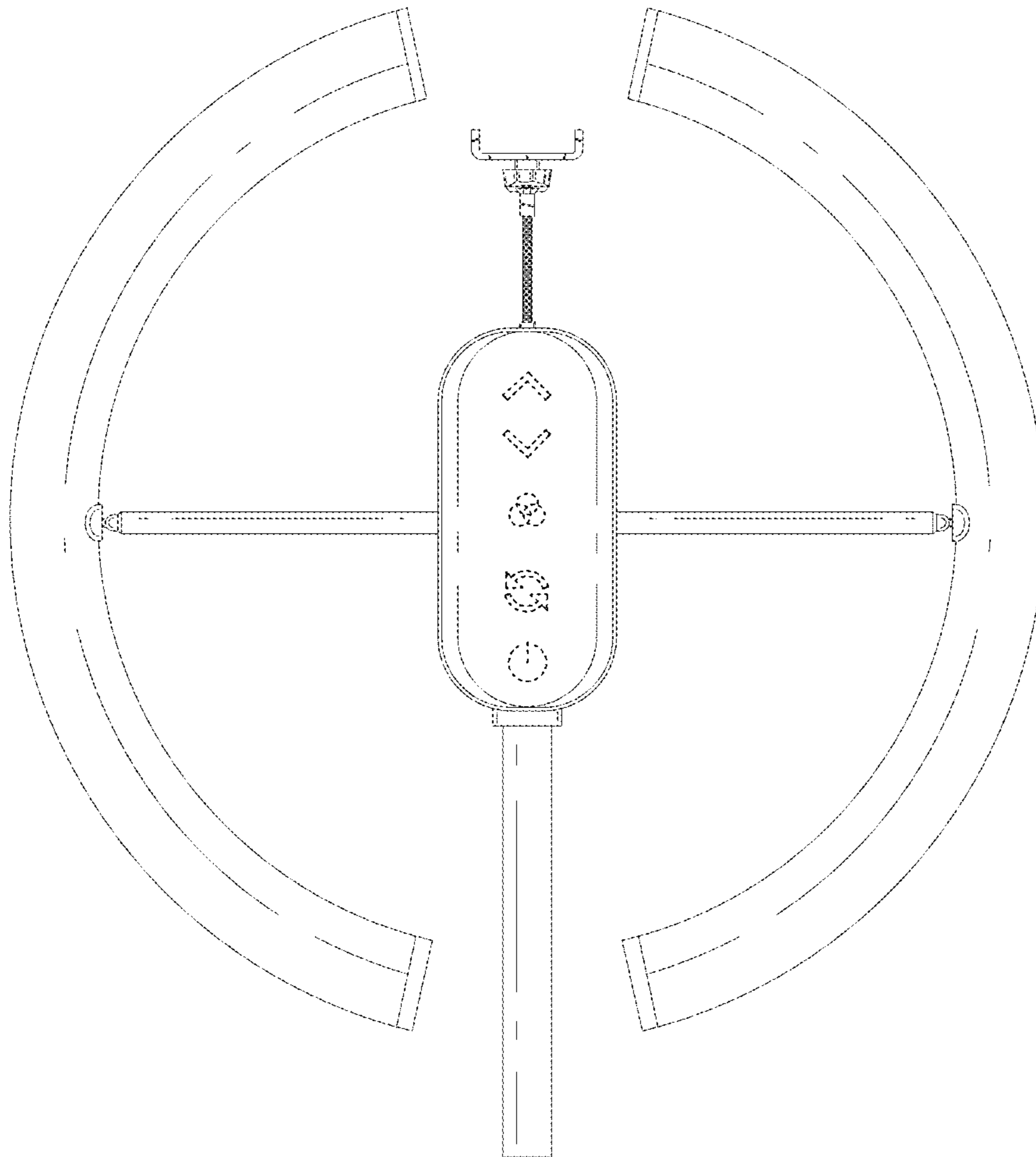


FIG. 2

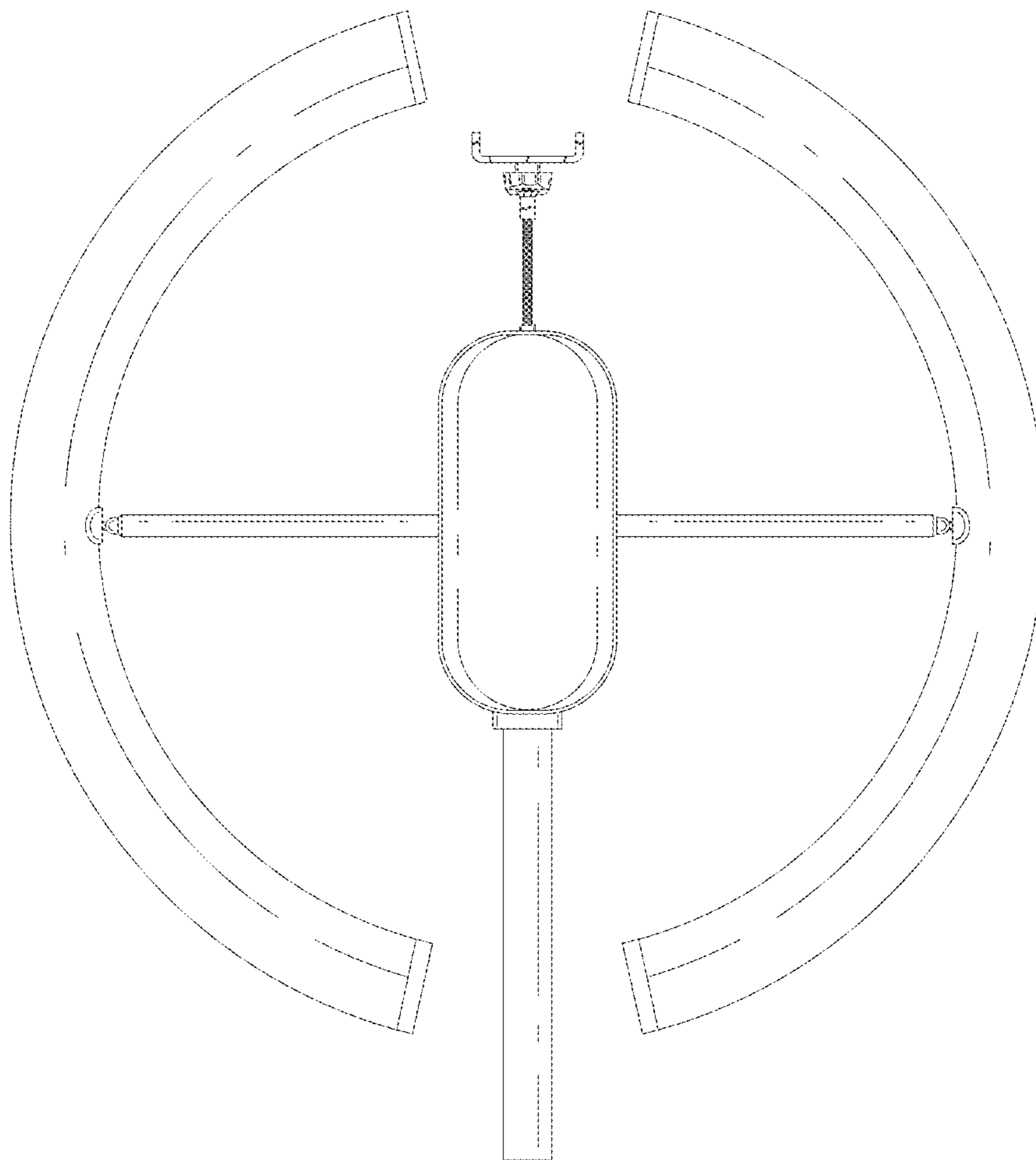


FIG. 3

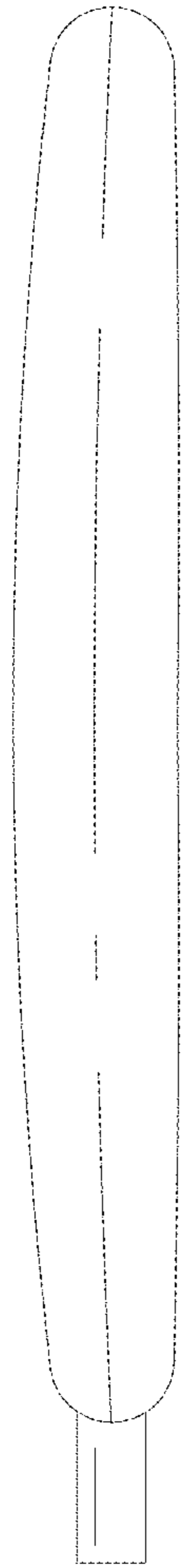


FIG. 4

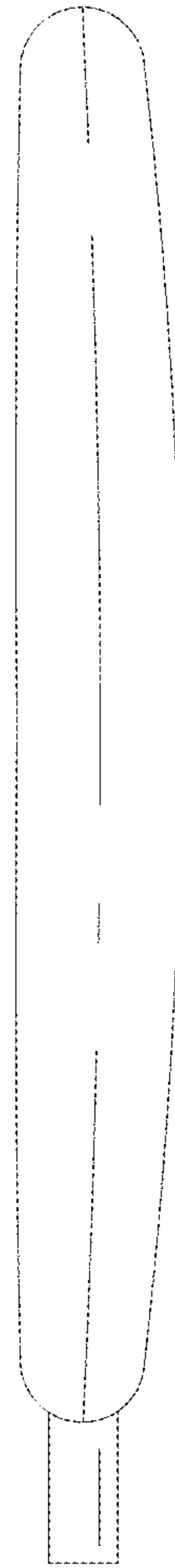


FIG. 5

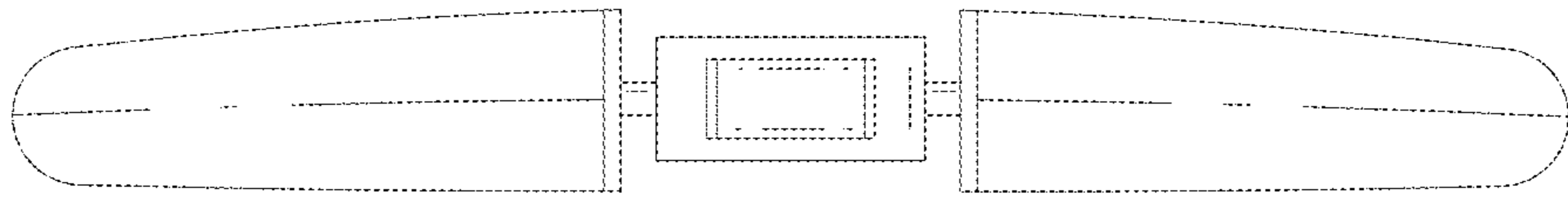


FIG. 6

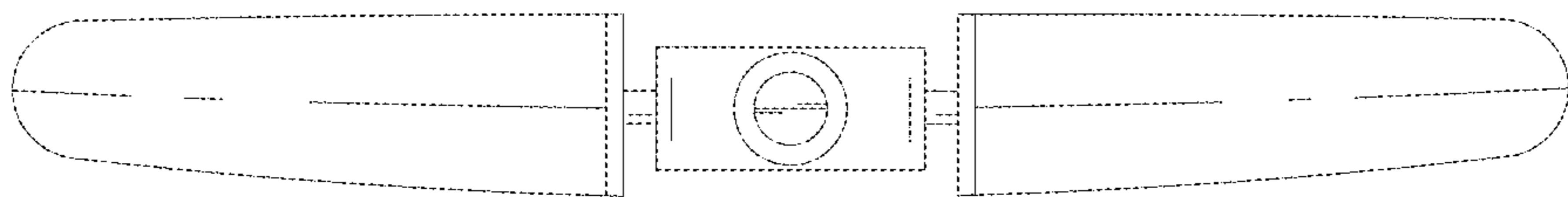


FIG. 7