



US00D982810S

(12) **United States Design Patent**
Hendifar

(10) **Patent No.:** **US D982,810 S**

(45) **Date of Patent:** **** Apr. 4, 2023**

(54) **CEILING LAMP**

(71) Applicant: **Apparatus LLC**, New York, NY (US)

(72) Inventor: **Gabriel Hendifar**, New York, NY (US)

(73) Assignee: **Apparatus LLC**, New York, NY (US)

(**) Term: **15 Years**

(21) Appl. No.: **29/788,728**

(22) Filed: **Jul. 22, 2021**

(51) **LOC (14) Cl.** **26-03**

(52) **U.S. Cl.**
USPC **D26/88; D26/86**

(58) **Field of Classification Search**

USPC D26/72, 81, 83, 84, 85, 86, 88, 91

CPC F21S 8/04; F21S 8/043; F21S 8/06; F21S
8/061; F21S 8/063

See application file for complete search history.

(56) **References Cited**

U.S. PATENT DOCUMENTS

D87,857 S *	9/1932	Tucker	D26/88
D113,971 S *	3/1939	Kirk	D26/88
D119,203 S *	2/1940	Krueger	D26/88
D307,641 S *	5/1990	De'Armond	D26/136
D309,792 S *	8/1990	Mangiarotti	D26/85
D575,440 S *	8/2008	Pelzl	D26/88
D579,602 S *	10/2008	Gotz-Schafer	D26/118
D758,637 S *	6/2016	Herzog	D26/88
D805,676 S *	12/2017	Piano	D26/88
D819,867 S *	6/2018	Hendifar	D26/84
D849,305 S *	5/2019	Ventura Conesa	D26/88
D849,310 S *	5/2019	Hendifar	D26/88
D869,735 S *	12/2019	Babutzka	D26/88

OTHER PUBLICATIONS

IrisLightingStudio—Pendant Light, Listed on Oct. 18, 2022 at etsy.com. <etsy.com/listing/603845714/pendant-light-kitchen-island-lighting> (Year: 2021).*

Florian Schulz—Nice Onos 55 Ceiling Lamp, 1stDibs reference No. LU1005031032662. Manufactured 1982. website visited Feb. 8, 2023 <https://www.1stdibs.com/furniture/lighting/chandeliers-pendant-lights/nice-onos-55-ceiling-lamp/id-f_31032662/>. (Year: 1982).*
MZSUS—11.8" Glass Pendant Light, ASIN: B09B524BPP. Available from amazon.com Jul. 23, 2021. (Year: 2021).*
Luna LED Pendant by Will Earl for J.Adams & Co. Item No. JAC2249556 at lumens.com. Site visited Feb. 9, 2023. (Year: 2023).*

* cited by examiner

Primary Examiner — Clare E Heflin

(74) *Attorney, Agent, or Firm* — Gottlieb, Rackman & Reisman

(57) **CLAIM**

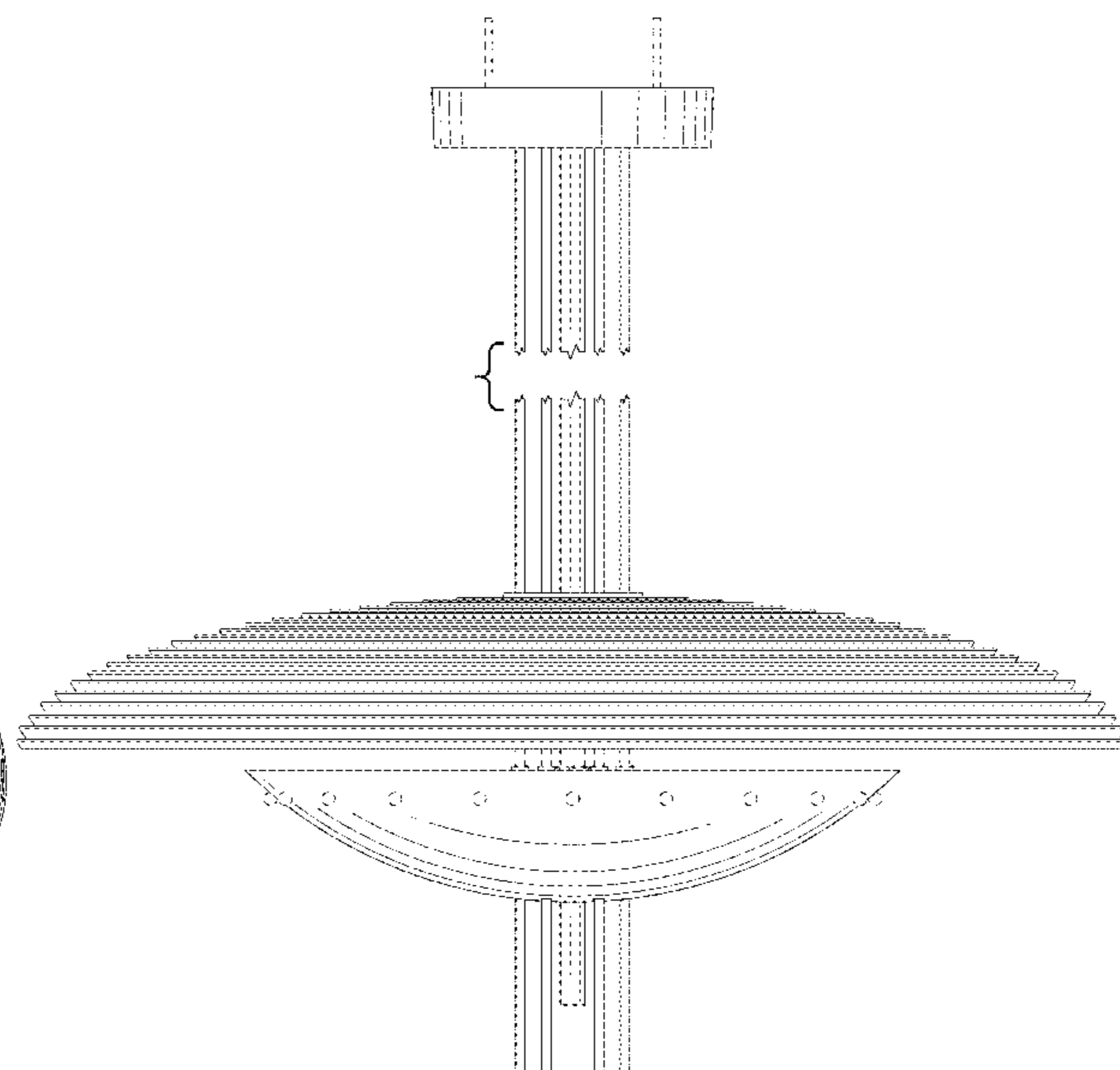
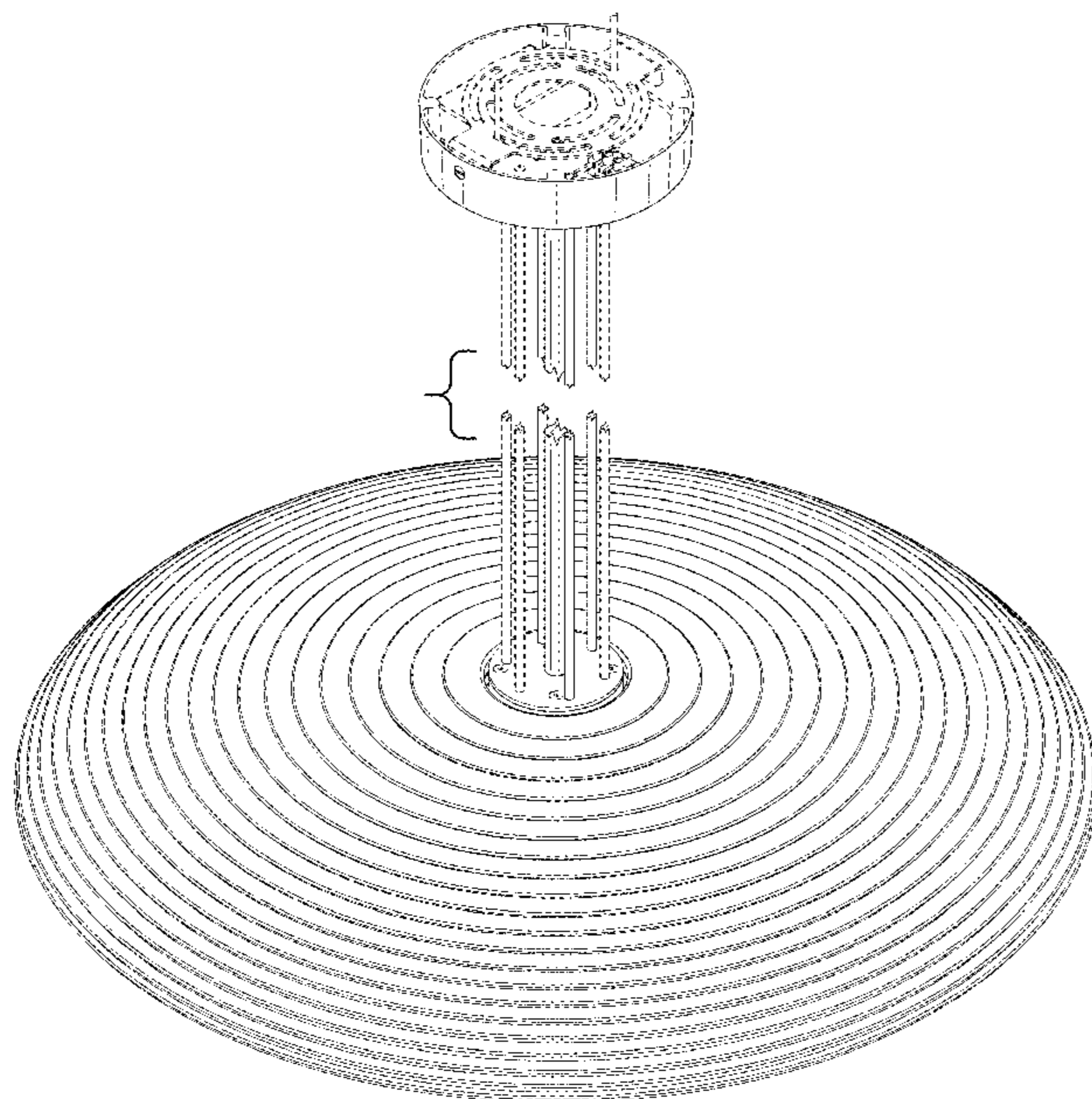
I claim the ornamental design for a ceiling lamp, as shown and described.

DESCRIPTION

FIG. 1 is a front perspective view of a ceiling lamp showing my new design;
FIG. 2 is a rear perspective view of FIG. 1;
FIG. 3 is a front elevational view of FIG. 1;
FIG. 4 is a rear elevational view of FIG. 1;
FIG. 5 is a left side elevational view of FIG. 1;
FIG. 6 is a right side elevational view of FIG. 1;
FIG. 7 is a top plan view of FIG. 1; and,
FIG. 8 is a bottom plan view of FIG. 1.

The broken lines shown in the drawings are included for the purpose of illustrating elements of the ceiling lamp that form no part of the claimed design.

1 Claim, 8 Drawing Sheets



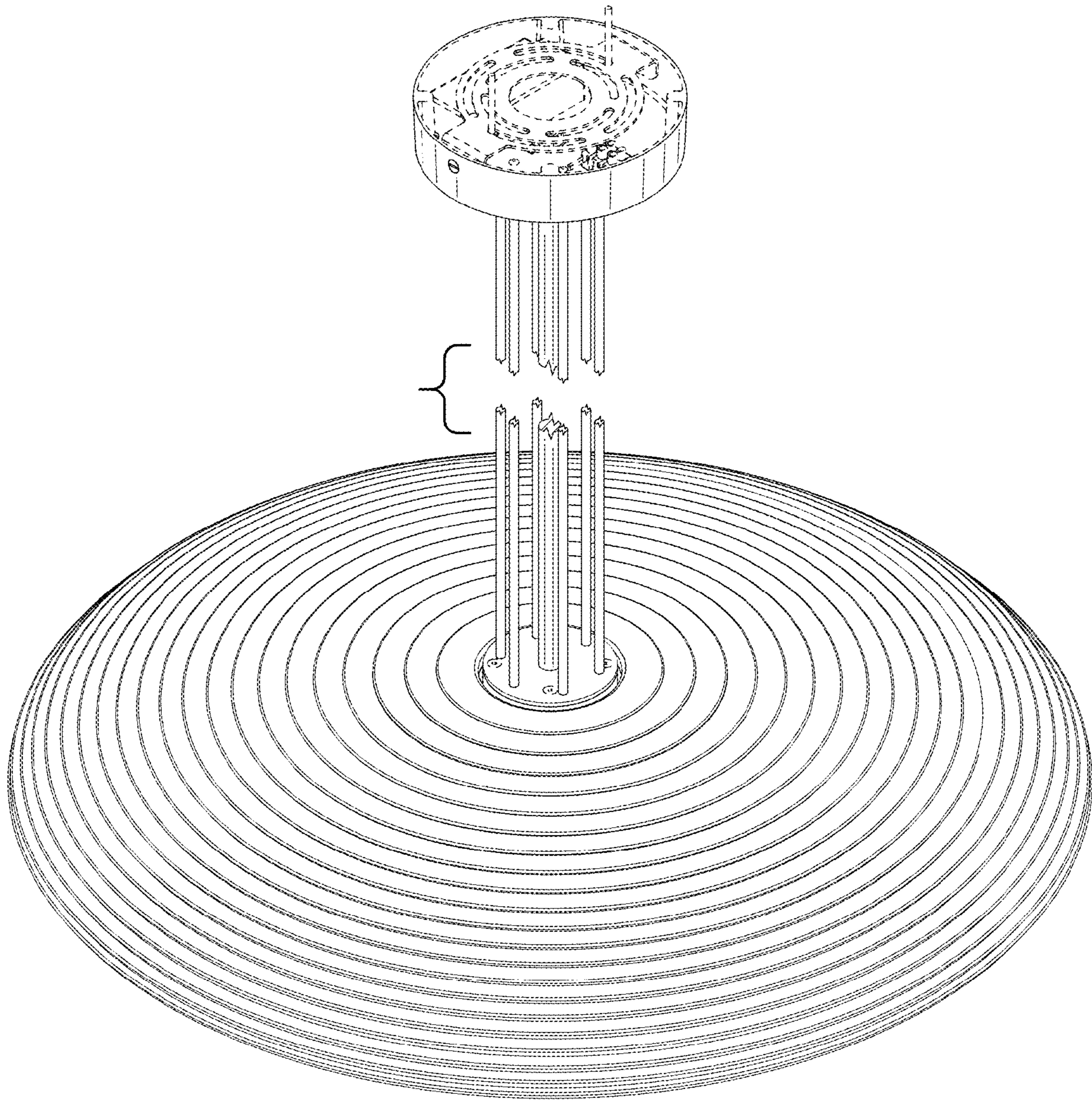


FIG. 1

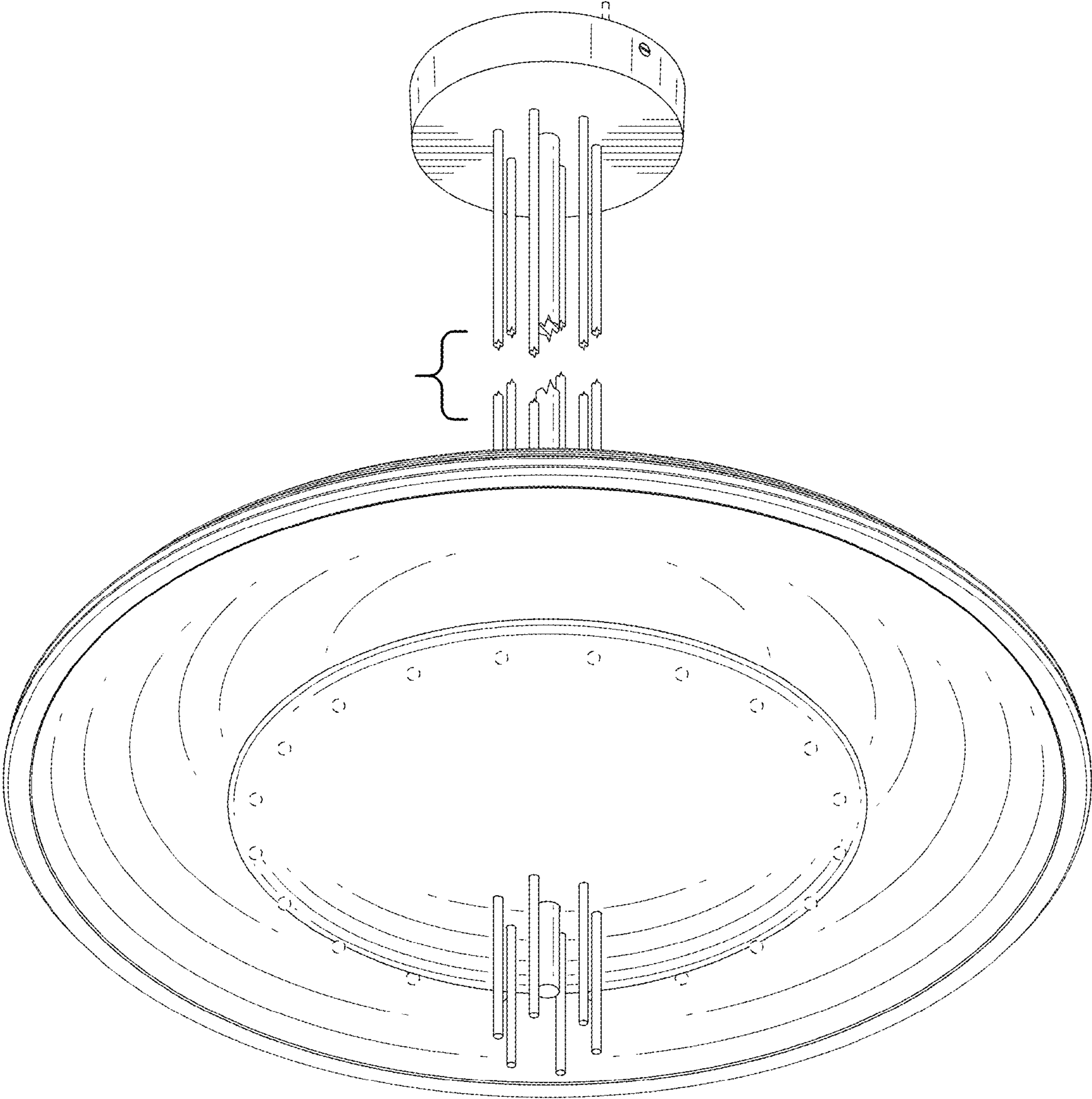


FIG.2

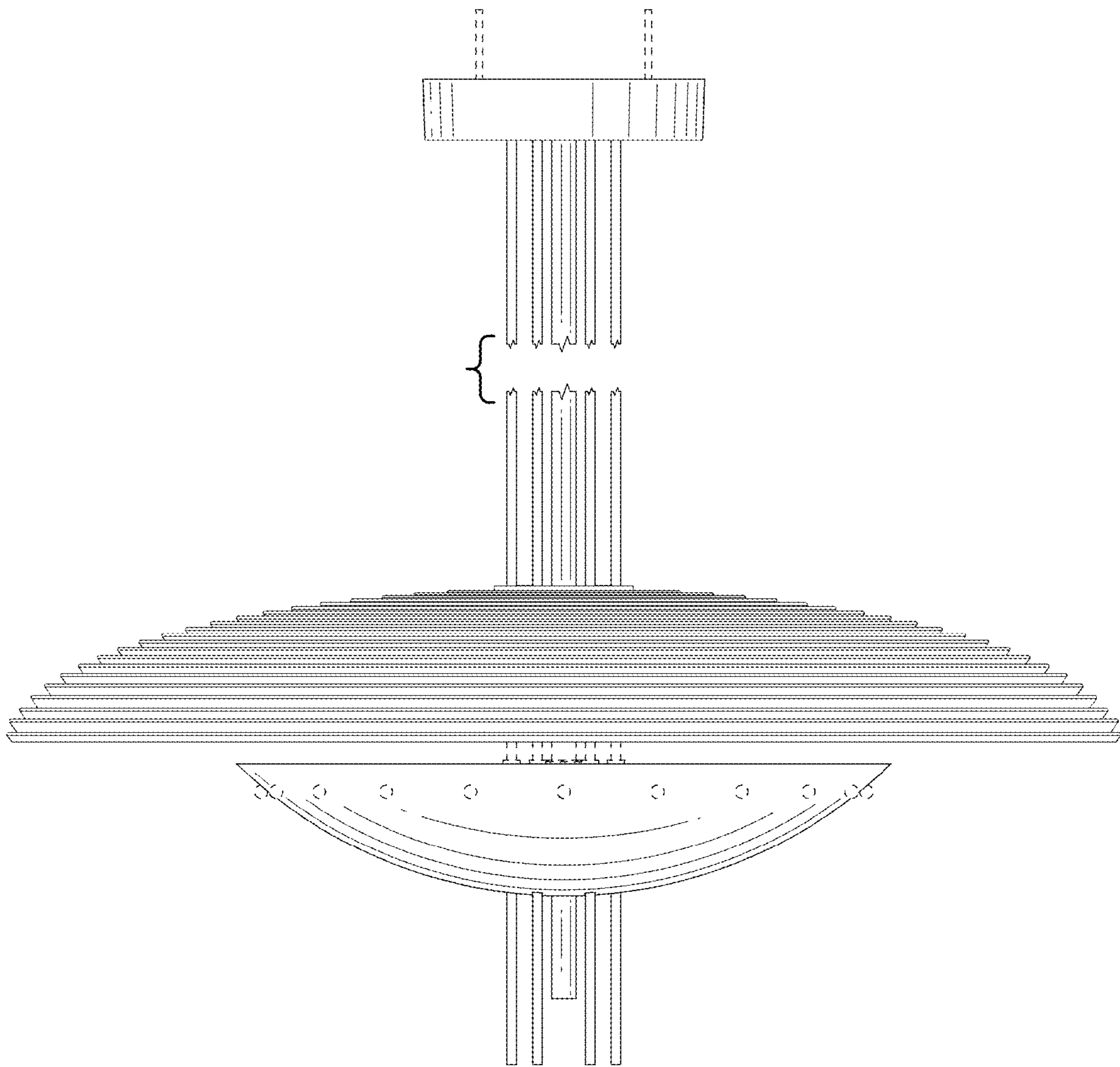


FIG. 3

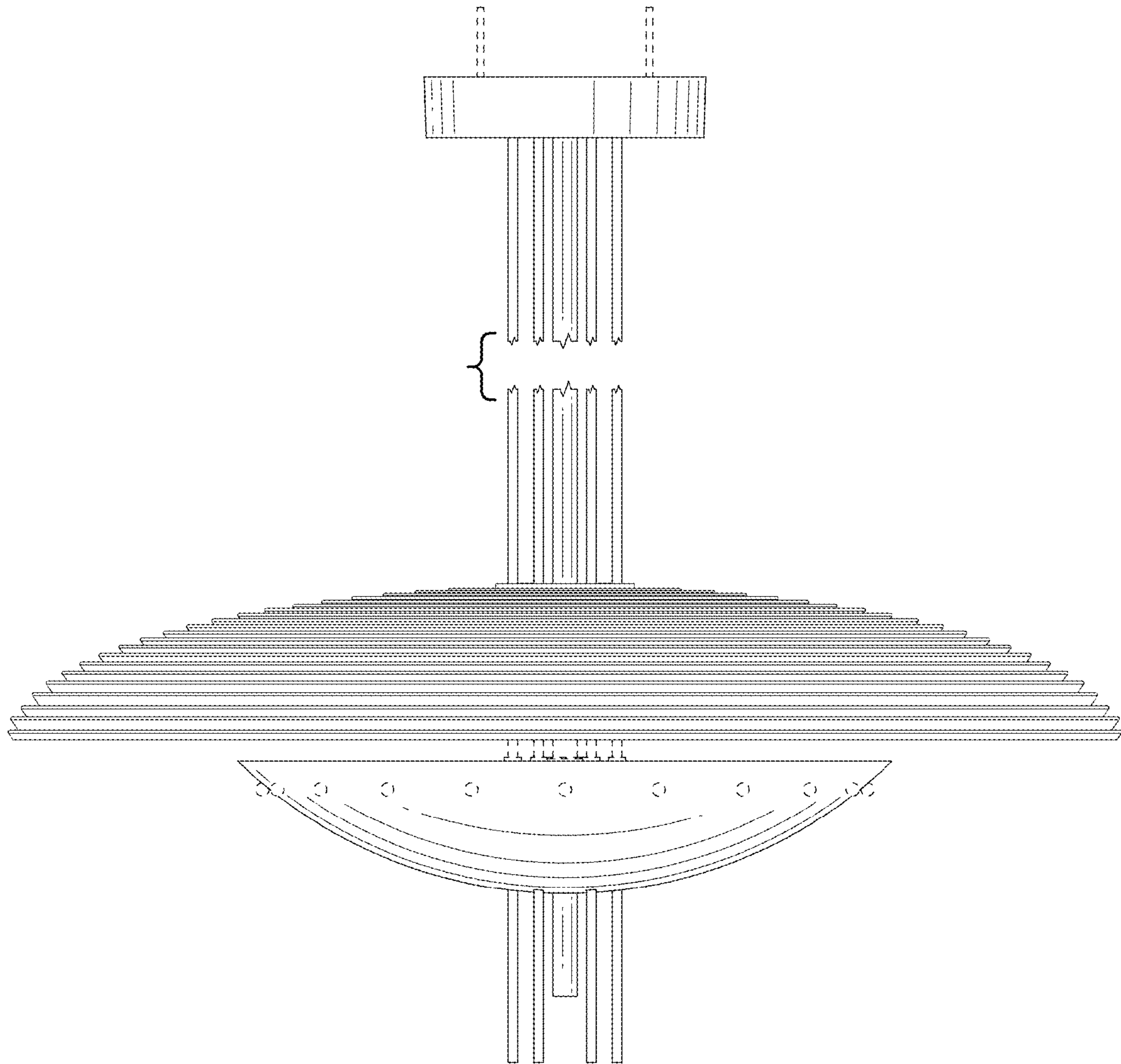


FIG.4

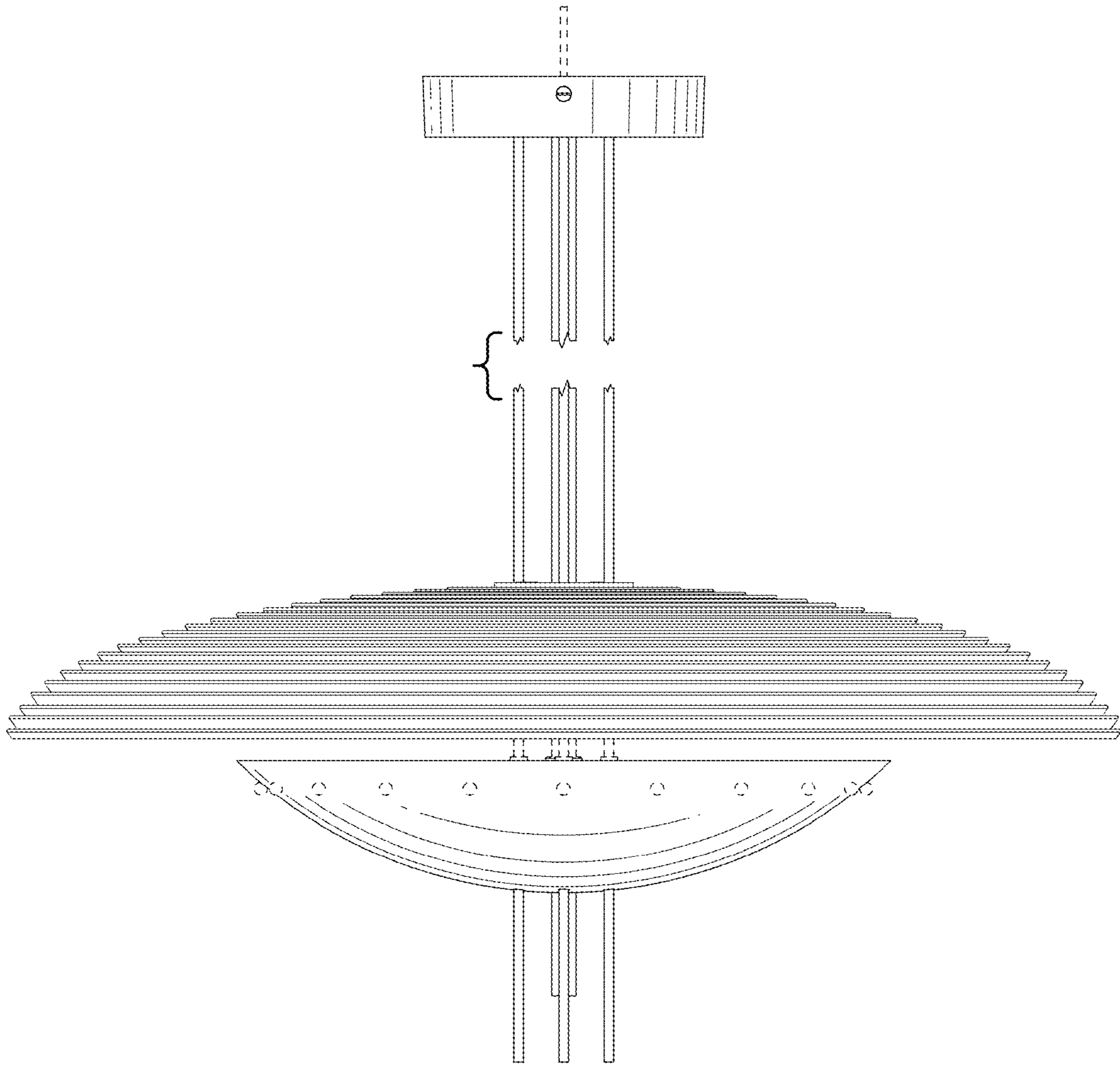


FIG. 5

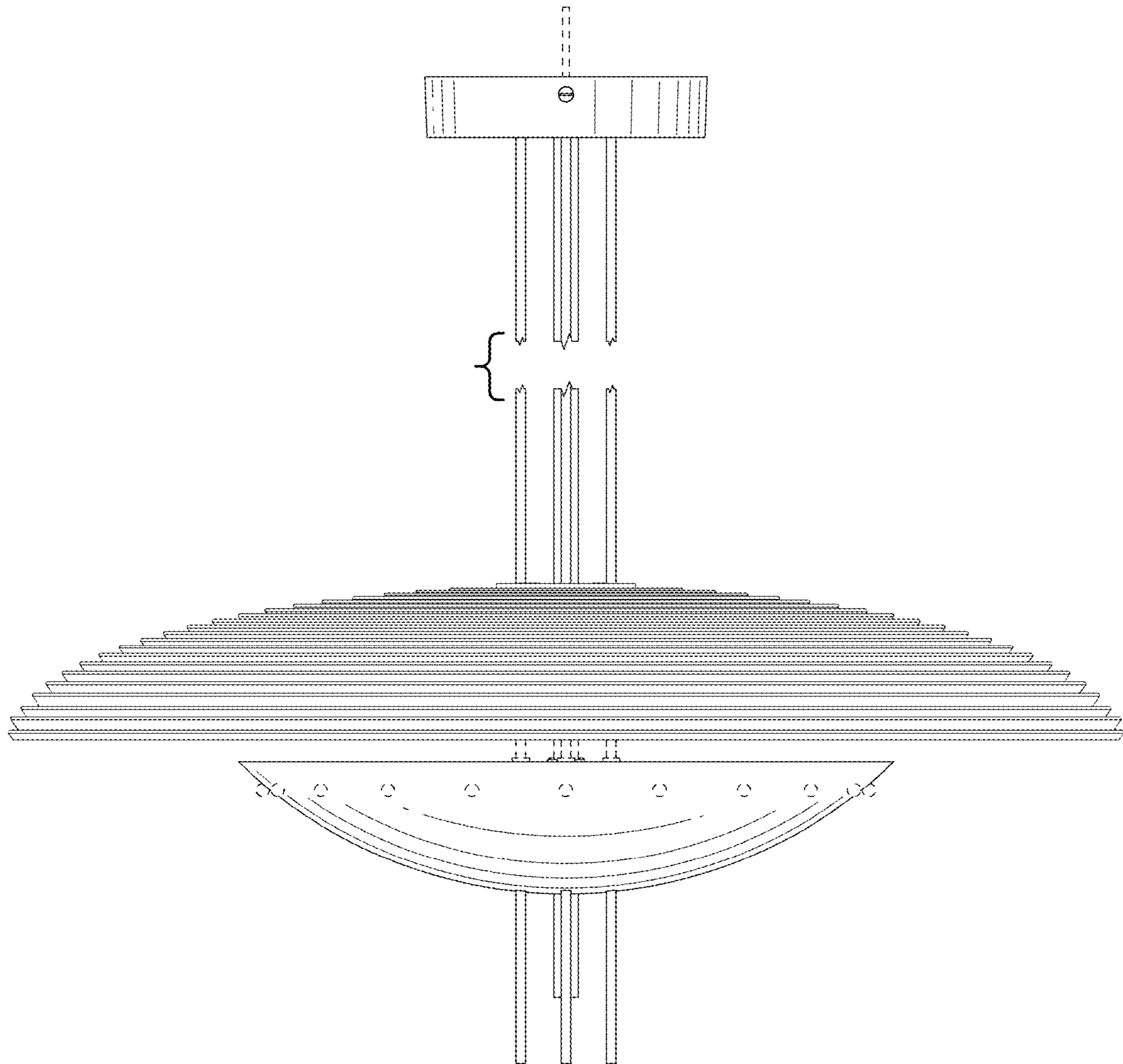


FIG.6

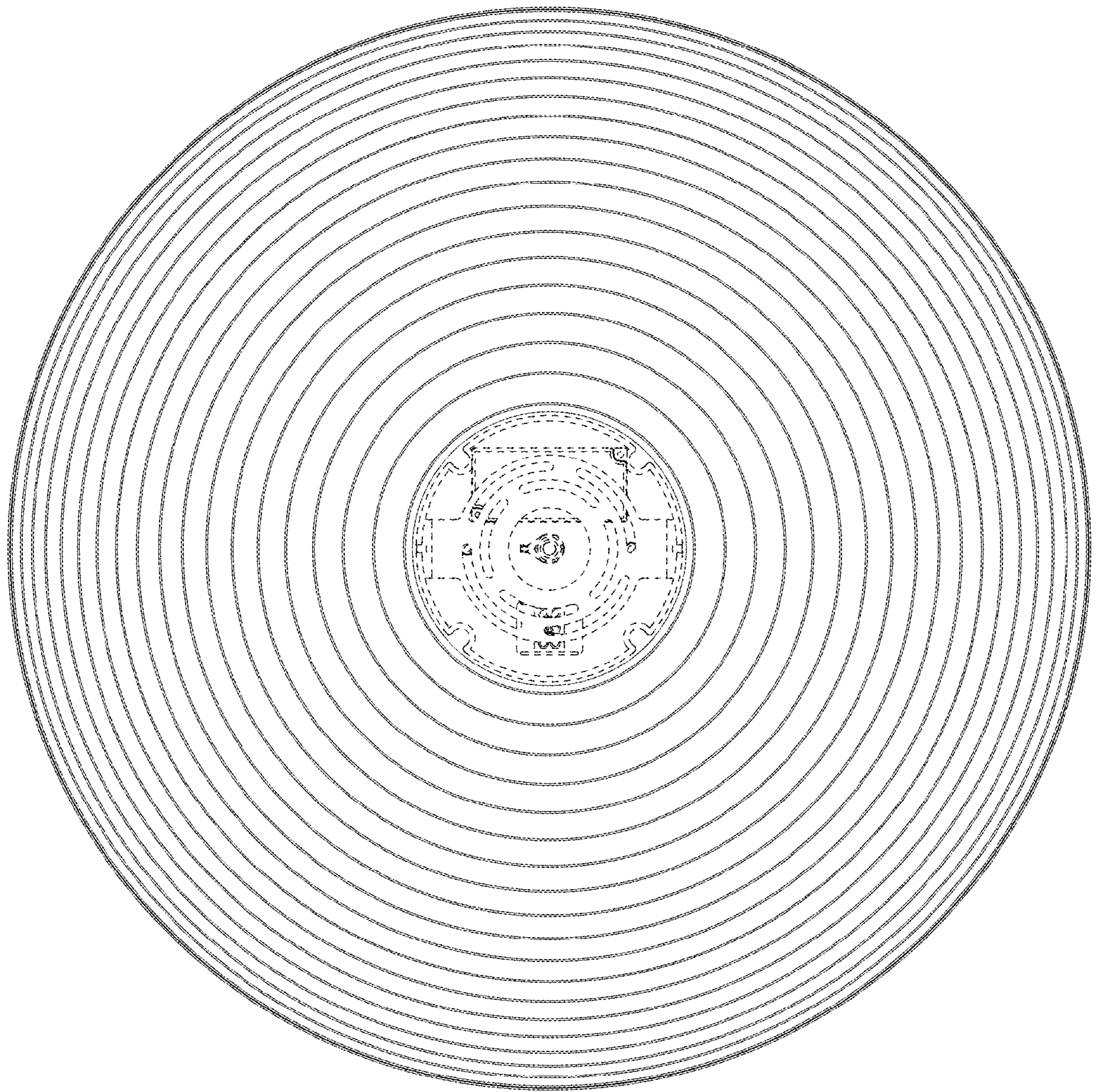


FIG. 7

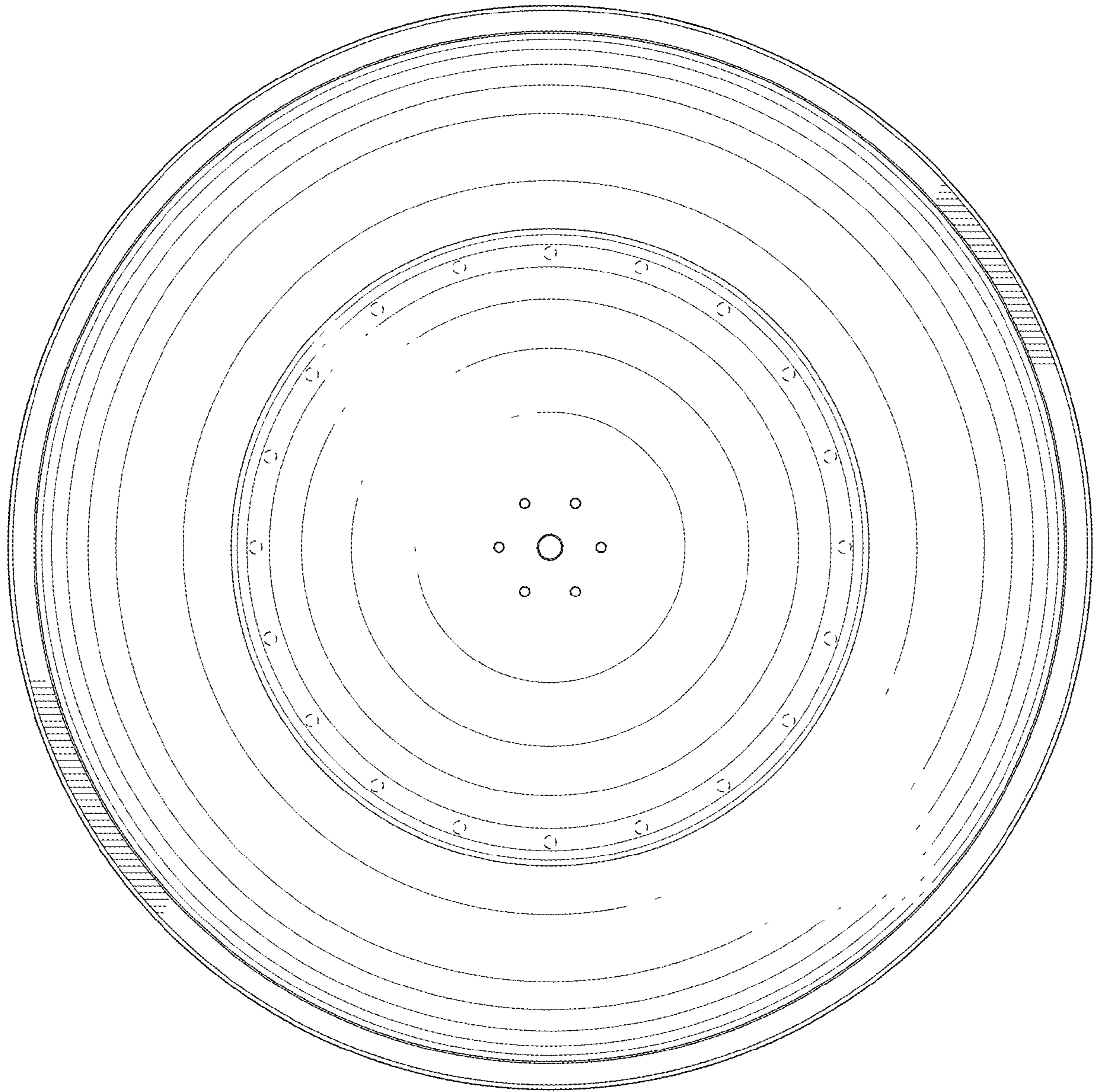


FIG. 8