



US00D982808S

(12) **United States Design Patent**  
**Zhang**

(10) **Patent No.:** **US D982,808 S**

(45) **Date of Patent:** **\*\* Apr. 4, 2023**

(54) **SOLAR STABLE LAMP**

(71) Applicant: **Yun Zhang**, Shaoxing (CN)

(72) Inventor: **Yun Zhang**, Shaoxing (CN)

(\*\*) Term: **15 Years**

(21) Appl. No.: **29/801,212**

(22) Filed: **Jul. 28, 2021**

(51) **LOC (14) Cl.** ..... **26-05**

(52) **U.S. Cl.**  
USPC ..... **D26/87**

(58) **Field of Classification Search**  
USPC ..... D26/67, 72, 85-90, 92  
CPC ..... F21S 8/00; F21S 8/03; F21S 8/033; F21S  
8/036; F21S 9/03; F21S 9/037; F21W  
2111/027; F21W 2131/107; F21W  
2131/109  
See application file for complete search history.

(56) **References Cited**

**U.S. PATENT DOCUMENTS**

D213,279 S *	1/1969	Bernadotte	.....	D26/80
D292,531 S *	10/1987	Van Deelen	.....	D26/92
D300,373 S *	3/1989	Galipeau	.....	D26/85
D383,239 S *	9/1997	Porter	.....	D26/87
D408,938 S *	4/1999	Miyatake	.....	D26/87
D439,001 S *	3/2001	Pan	.....	D26/85
D467,379 S *	12/2002	Hsu	.....	D26/85
D510,452 S *	10/2005	Porter	.....	D26/80
D514,730 S *	2/2006	Lo	.....	D26/87
D532,141 S	11/2006	Chen		
D533,294 S	12/2006	Chen		
D535,425 S	1/2007	Chen		
D624,683 S	9/2010	Liang		
7,988,327 B1 *	8/2011	Knoble	..... F21V 3/0615 362/249.02	
D747,509 S	1/2016	Liang		
D782,100 S *	3/2017	Kitts	.....	D26/145
D794,864 S *	8/2017	Sonneman	.....	D26/89
D816,883 S *	5/2018	Mou	.....	D26/92

D822,259 S *	7/2018	Fang	.....	D26/87
D829,360 S *	9/2018	Mou	.....	D26/87
D868,333 S *	11/2019	Li	.....	D26/88
D888,319 S *	6/2020	Amato	.....	D26/87
D905,894 S *	12/2020	Chen	.....	D26/88
D912,293 S	3/2021	Mai		
D921,958 S *	6/2021	Hui	.....	D26/87
D938,641 S *	12/2021	Liang	.....	D26/85
D950,134 S *	4/2022	Hsu	.....	D26/87
D952,925 S *	5/2022	Li	.....	D26/88

(Continued)

**OTHER PUBLICATIONS**

Lampgiant, Nerissa Solar Outdoor Wall Light. First available unknown. Searched on Aug. 16, 2022. [https://lampgiant.ie/black-outdoor-wall-light-on-solar-energy-nerissa-aluminium-1w-2700k-extra-warm-white-integrated-led-q28078] (Year: 2022).\*

(Continued)

*Primary Examiner* — W. A. Teddy Falloway  
*Assistant Examiner* — Melissa Adriane Santos  
(74) *Attorney, Agent, or Firm* — Rumit Ranjit Kanakia

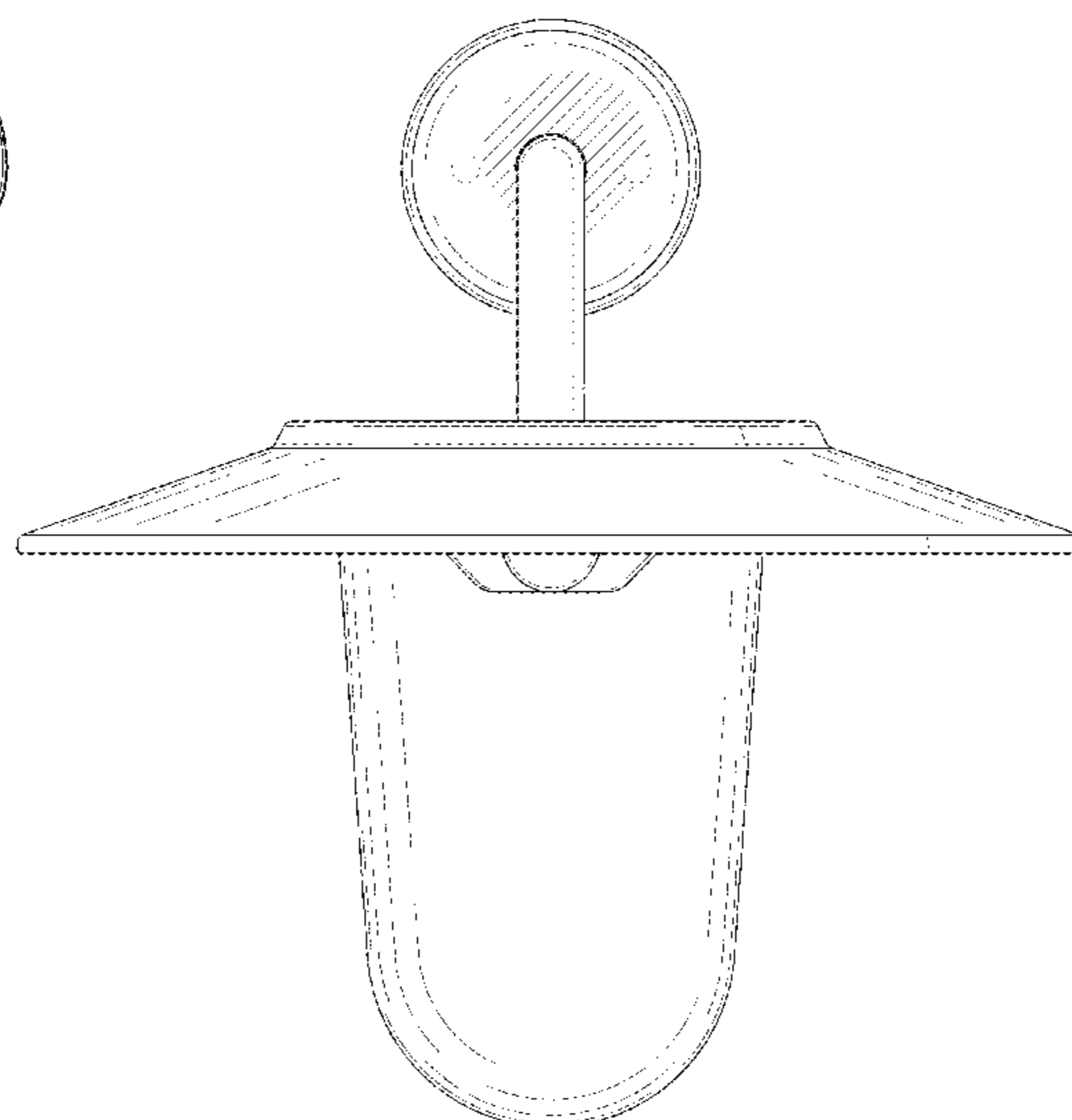
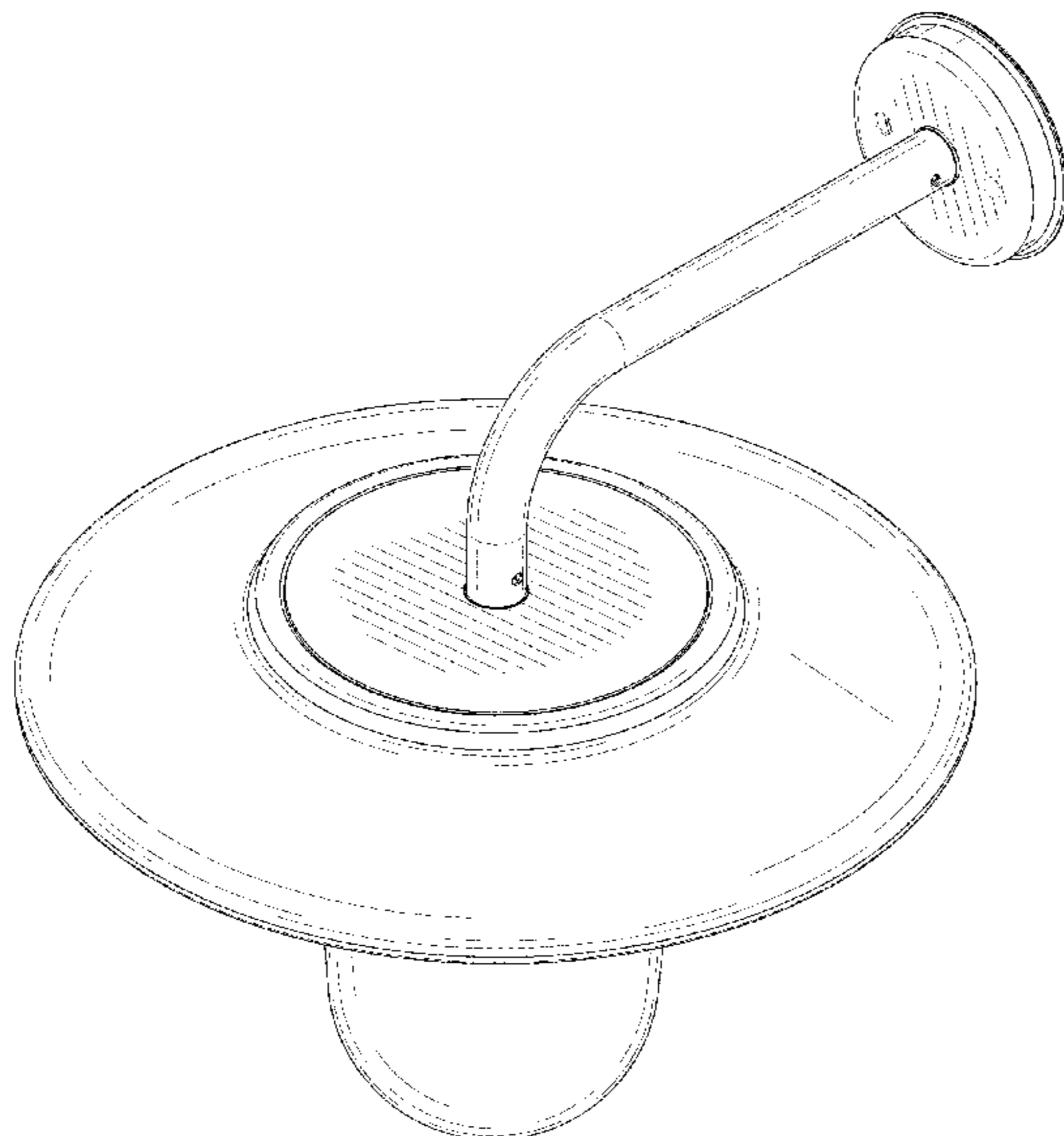
(57) **CLAIM**

The ornamental design for a solar stable lamp, as shown and described.

**DESCRIPTION**

FIG. 1 is a perspective view of a solar stable lamp showing my new design;  
FIG. 2 is a front view thereof;  
FIG. 3 is a rear view thereof;  
FIG. 4 is a left side view thereof;  
FIG. 5 is a right side view thereof;  
FIG. 6 is a top view thereof; and,  
FIG. 7 is a bottom view thereof.  
The broken lines in the drawings depict portions of the solar stable lamp that form no part of the claimed design.

**1 Claim, 7 Drawing Sheets**



(56)

**References Cited**

U.S. PATENT DOCUMENTS

D955,610 S \* 6/2022 Diez ..... D26/85  
D957,715 S \* 7/2022 Knauff ..... D26/88

OTHER PUBLICATIONS

ChiliTec, Outdoor Wall Light. First available Apr. 2, 2017. Searched on Aug. 16, 2022. [<https://www.amazon.de/-/en/Outdoor-Anthracite-Socket-Nostalgia-Vintage/dp/B0844SXFJ5>] (Year: 2017).\*

Lutec, Solar Wall Light. First available Aug. 2019. Searched on Aug. 16, 2022. [<https://www.amazon.com/LUTEC-Outdoor-Filament-Waterproof-Exterior/dp/B09WQW9QM8/>] (Year: 2019).\*

MiniSun, Outdoor Wall Light. First available May 25, 2015. Searched on Aug. 16, 2022. [<https://www.amazon.co.uk/Modern-Rated-Black-Outdoor-Lantern/dp/B0754GKQY6>] (Year: 2015).\*

\* cited by examiner

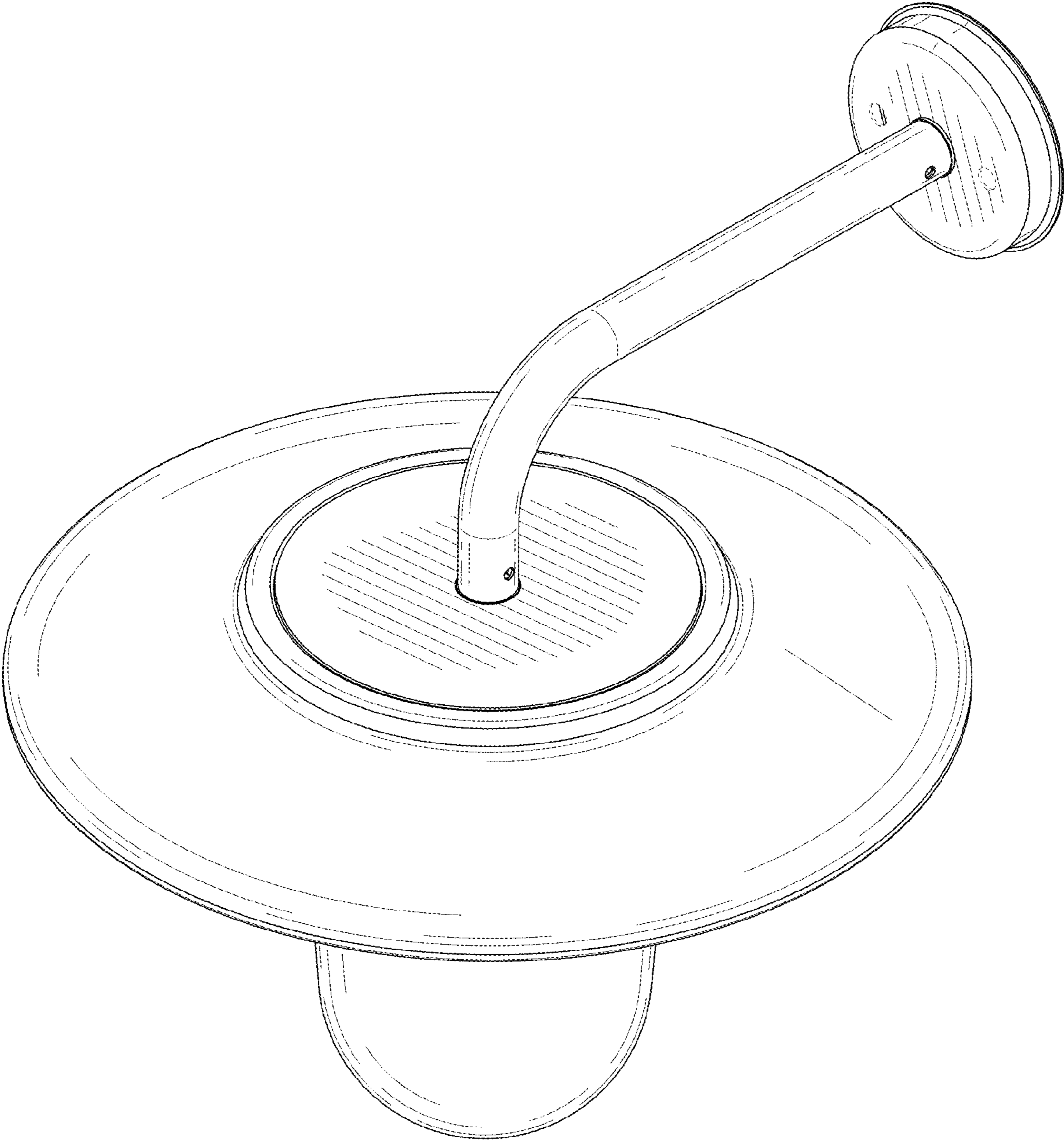


FIG. 1

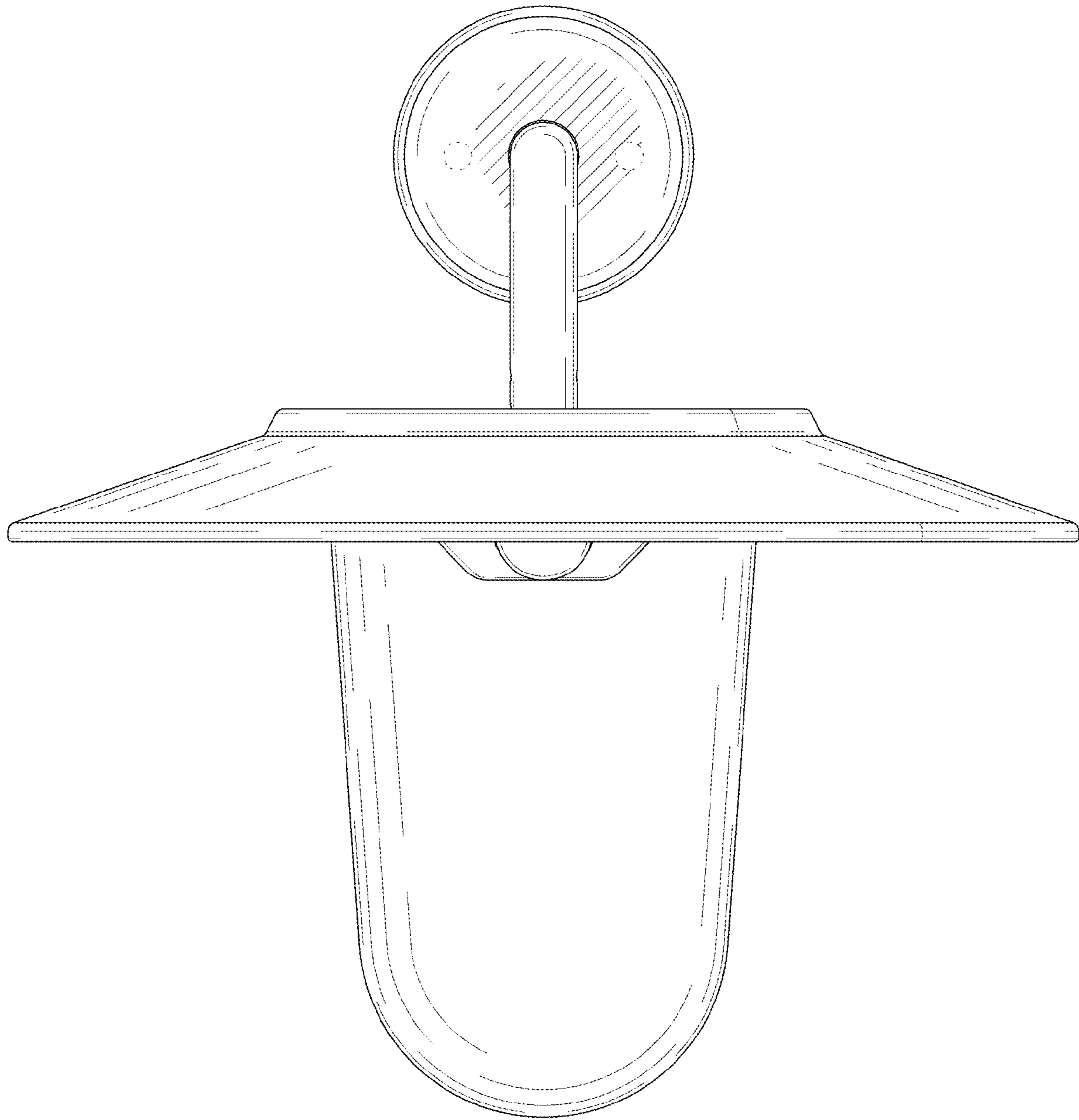


FIG. 2

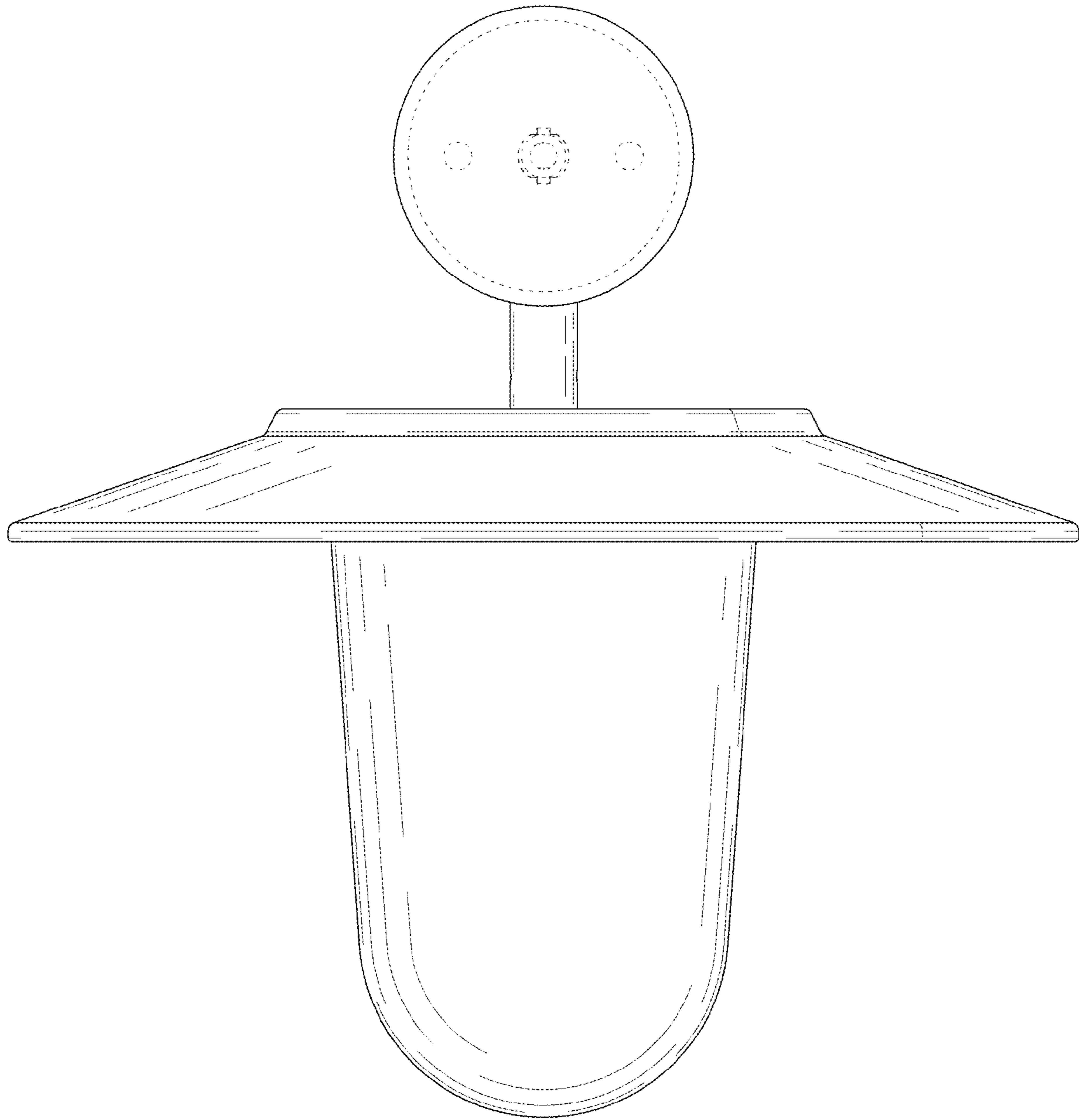


FIG. 3

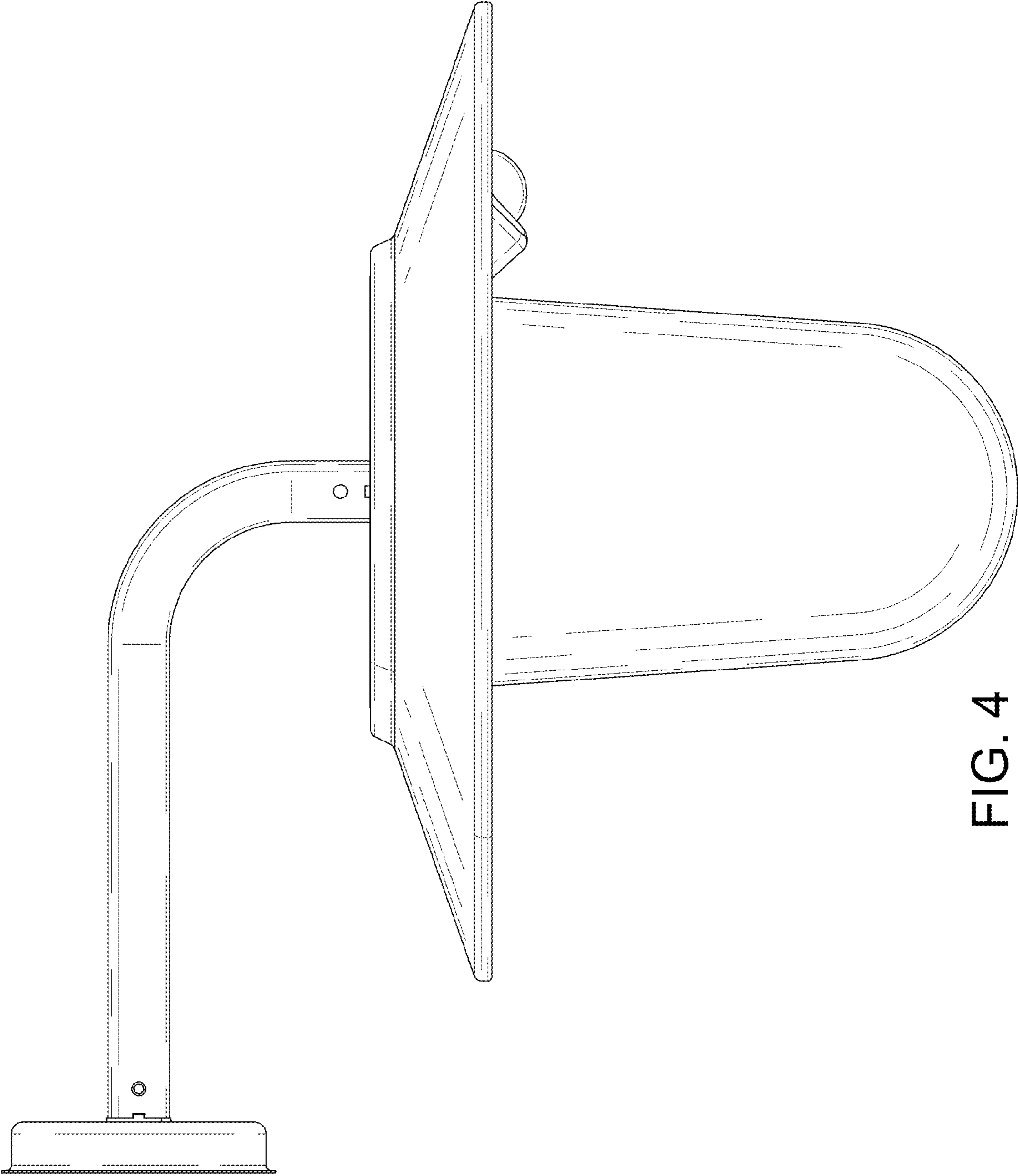


FIG. 4

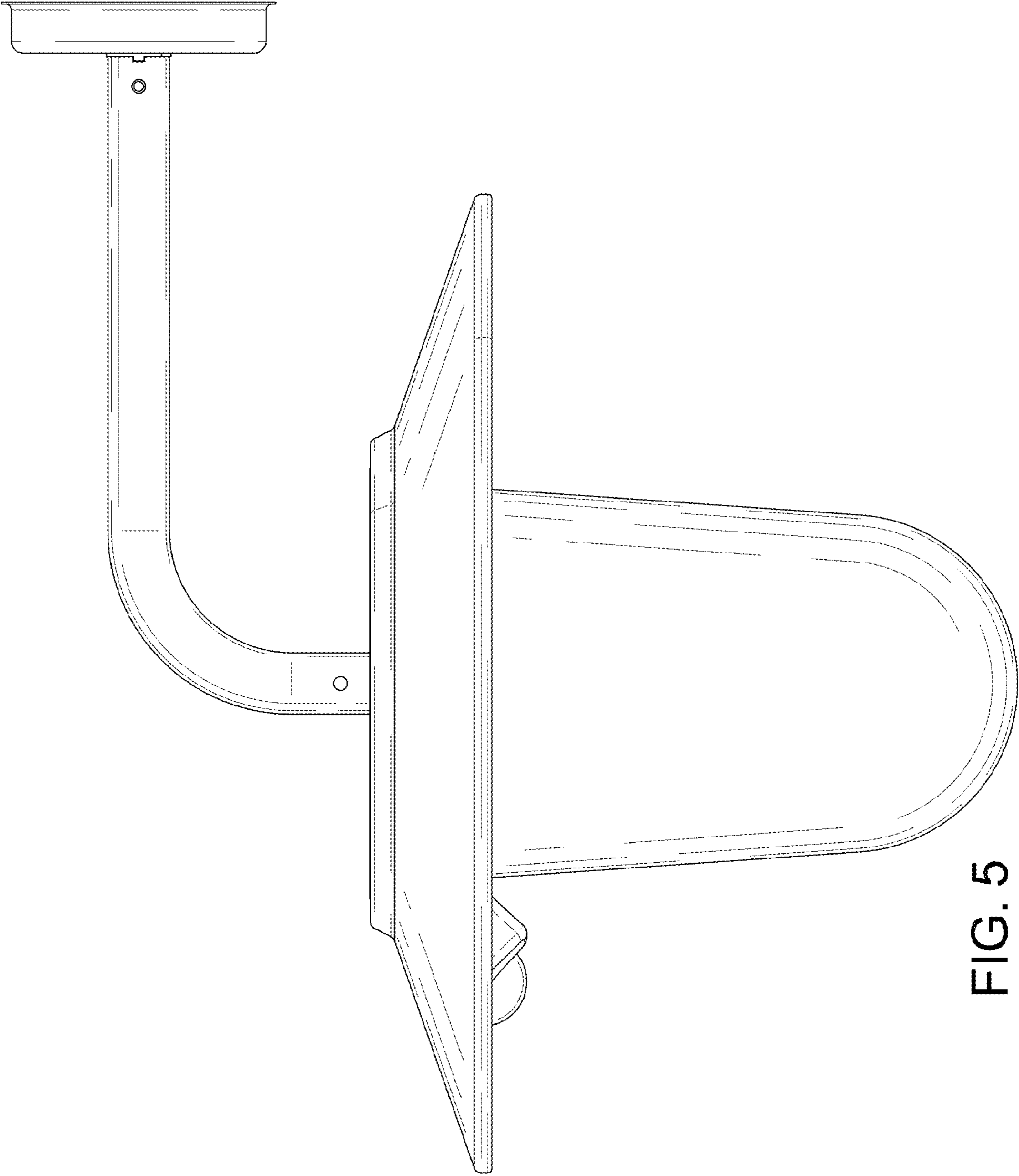


FIG. 5

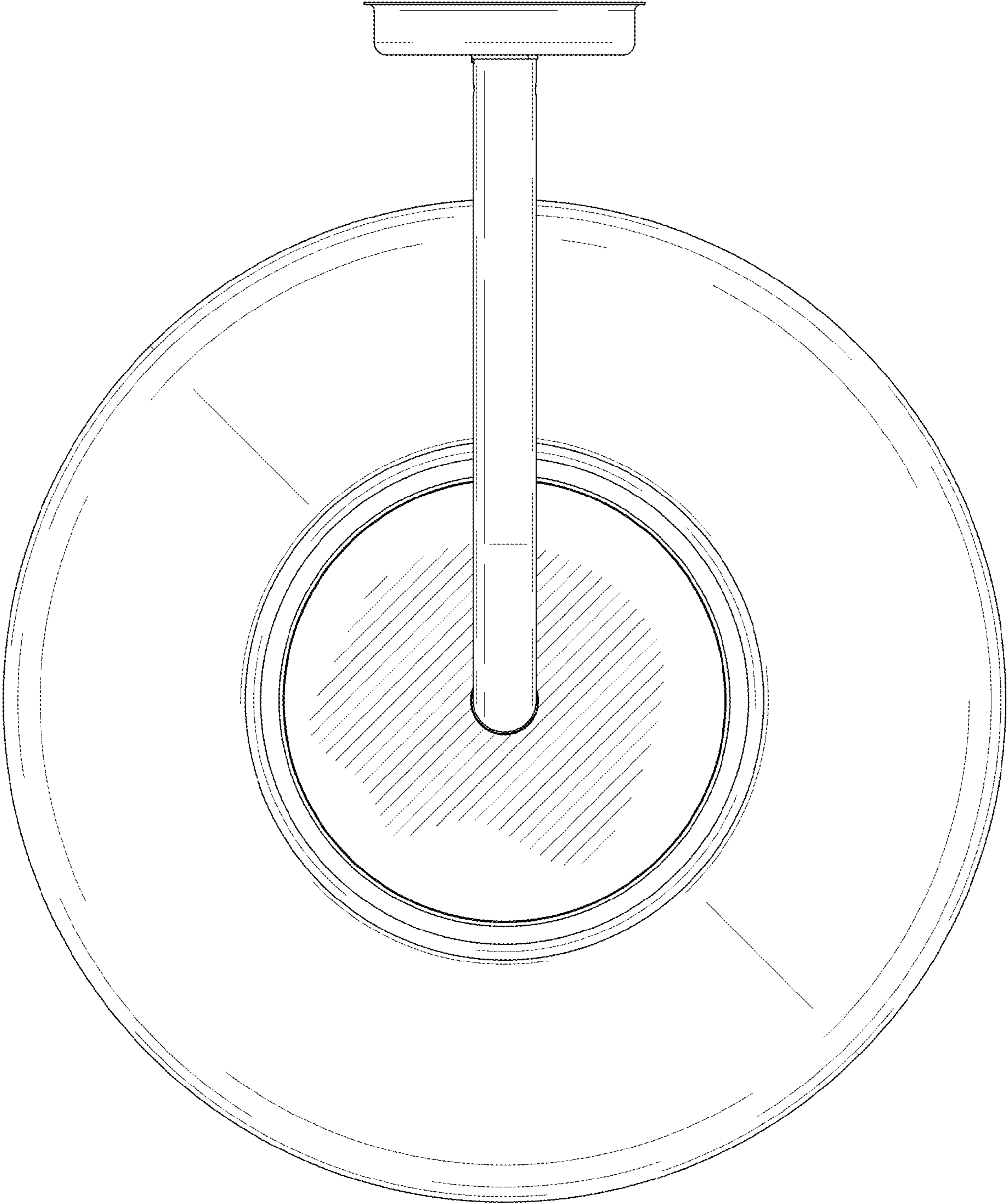


FIG. 6



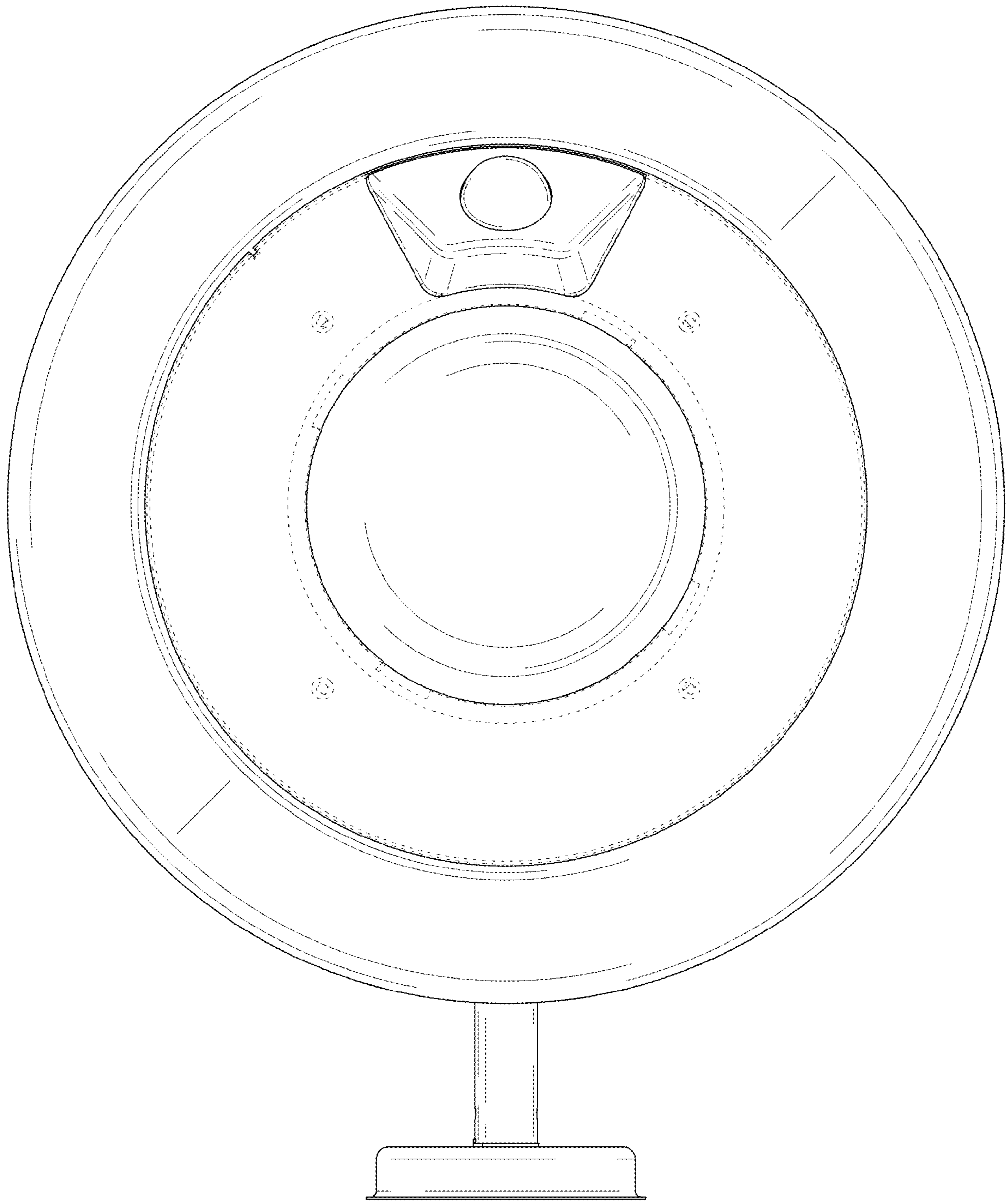


FIG. 7