



US00D982806S

(12) **United States Design Patent** (10) **Patent No.:** **US D982,806 S**  
**Hoover et al.** (45) **Date of Patent:** **\*\* Apr. 4, 2023**

(54) **LIGHT FIXTURE**

(71) Applicant: **Kohler Co.**, Kohler, WI (US)  
(72) Inventors: **Erin Hoover**, New York City, NY (US); **Jovello T. Gomez, Jr.**, Sheboygan, WI (US); **Seth Stevens**, Los Angeles, CA (US); **Dennis Snyder**, Sheboygan, WI (US)

(73) Assignee: **Kohler Co.**

(\*\*) Term: **15 Years**

(21) Appl. No.: **29/795,360**

(22) Filed: **Jun. 17, 2021**

(51) **LOC (14) Cl.** ..... **26-05**

(52) **U.S. Cl.**  
USPC ..... **D26/80**; D26/86

(58) **Field of Classification Search**  
USPC ..... D26/24, 60, 65, 72, 89-92, 113, D26/128-138, 142, 144, 147-149  
CPC ..... F21V 21/30; F21V 21/14; F21V 21/10; F21V 21/02  
See application file for complete search history.

(56) **References Cited**

**U.S. PATENT DOCUMENTS**

D311,256 S *	10/1990	Frattini	.....	D26/87
D359,815 S *	6/1995	Porter	.....	D26/85
D403,798 S *	1/1999	Dolan	.....	D26/87
D404,171 S *	1/1999	Littman	.....	D26/92
D418,624 S *	1/2000	Vanderbyl	.....	D26/87
D442,728 S *	5/2001	Littman	.....	D26/87
D476,440 S *	6/2003	Lee	.....	D26/65
D565,224 S *	3/2008	Salatto-Rose	.....	D26/65
D600,844 S *	9/2009	Thomson	.....	D26/65
D754,906 S *	4/2016	Smith	.....	D26/80

(Continued)

**OTHER PUBLICATIONS**

1—Light Sconce, available in illuminatelightingpro.com, announced Jan. 1, 2015 [online], [site visited Nov. 2, 2022], Internet URL: <https://www.illuminatelightingpro.com/1-light-sconce/sku-XZPV> (Year: 2015).\*

(Continued)

*Primary Examiner* — Brett Miller  
*Assistant Examiner* — Jasmine L. Comedy

(74) *Attorney, Agent, or Firm* — The Belles Group, P.C.

(57) **CLAIM**

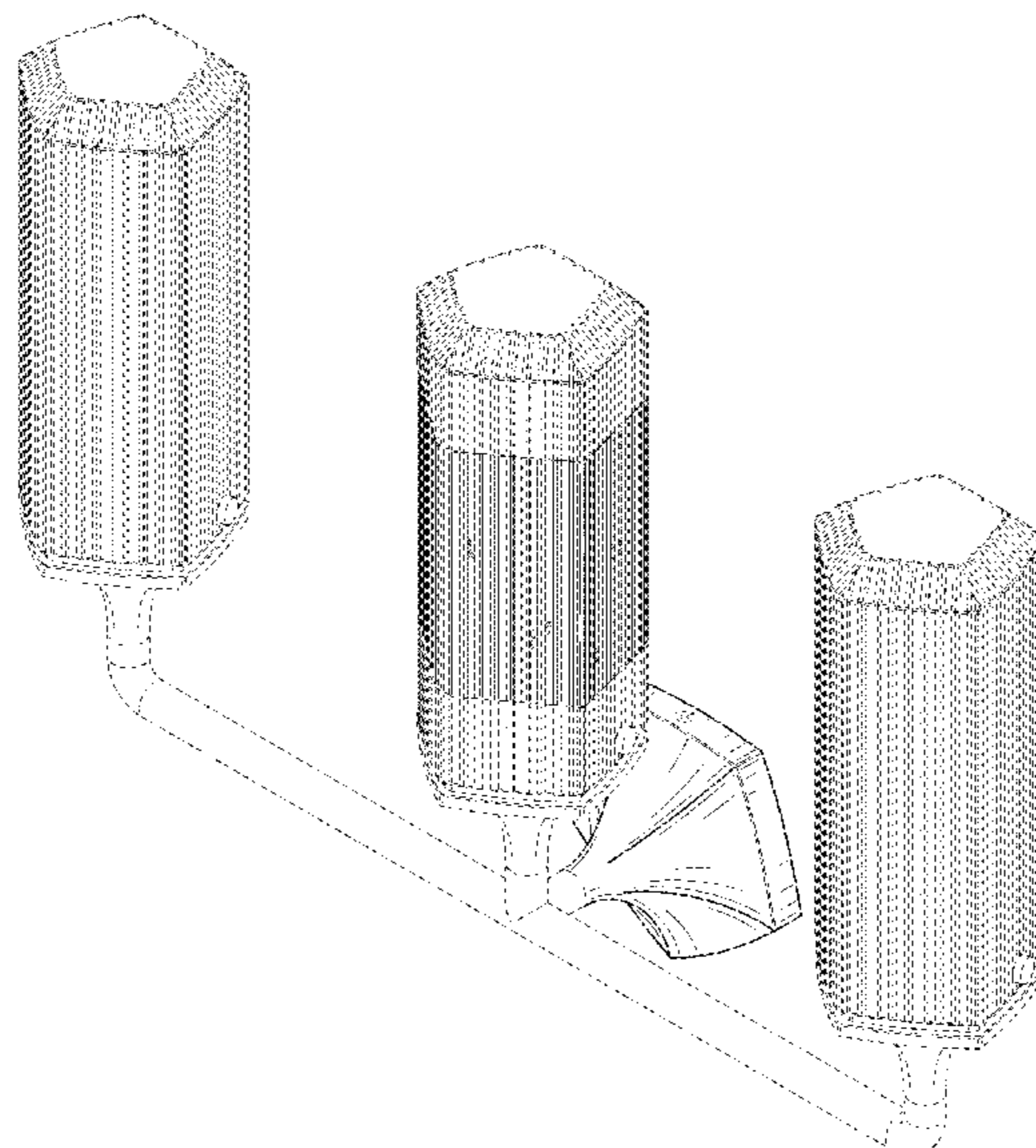
The ornamental design for a light fixture, as shown and described.

**DESCRIPTION**

FIG. 1 is an isometric view of a top, front, and right side of an ornamental design for a light fixture;  
FIG. 2 is a front elevational view of the light fixture of FIG. 1;  
FIG. 3 is a rear elevational view of the light fixture of FIG. 1;  
FIG. 4 is a left side elevational view of the light fixture of FIG. 1;  
FIG. 5 is a right side elevational view of the light fixture of FIG. 1;  
FIG. 6 is a top plan view of the of the light fixture of FIG. 1;  
FIG. 7 is a bottom plan view of the light fixture of FIG. 1; and,  
FIG. 8 is a cross sectional view of the light fixture of FIG. 1 taken through line 8-8 of FIG. 2.

The dash-dash-dash lines are included for the purpose of illustrating portions of the light fixture that form no part of the claimed design. The dash-dot-dash broken lines are included for the purpose of illustrating boundary lines and form no part of the claimed design. The oblique shade lines depict a transparent or translucent surface or material.

**1 Claim, 7 Drawing Sheets**



(56)

**References Cited**

U.S. PATENT DOCUMENTS

D804,073 S \* 11/2017 Fan ..... D26/65  
D906,577 S \* 12/2020 Gardner ..... D26/80

OTHER PUBLICATIONS

Wall lamp, brass and frosted glass, 1950s, available in etsy.com, customer review oldest date Apr. 22, 2017 [online], [site visited Nov. 2, 2022], Available from the internet URL: <https://www.etsy.com/listing/1133512605/wall-lamp-brass-and-frosted-glass-1950s> (Year: 2017).\*

Quorum Transitional Three Light Wall Mount, available in Amazon.com, date first available Jun. 1, 2020 [online], [site visited Nov. 3, 2022], Available from the internet URL: <https://www.amazon.com/Quorum-595-3-6980-Transitional-Three-Collection/dp/B07ZV3L2YZ> (Year: 2020).\*

\* cited by examiner

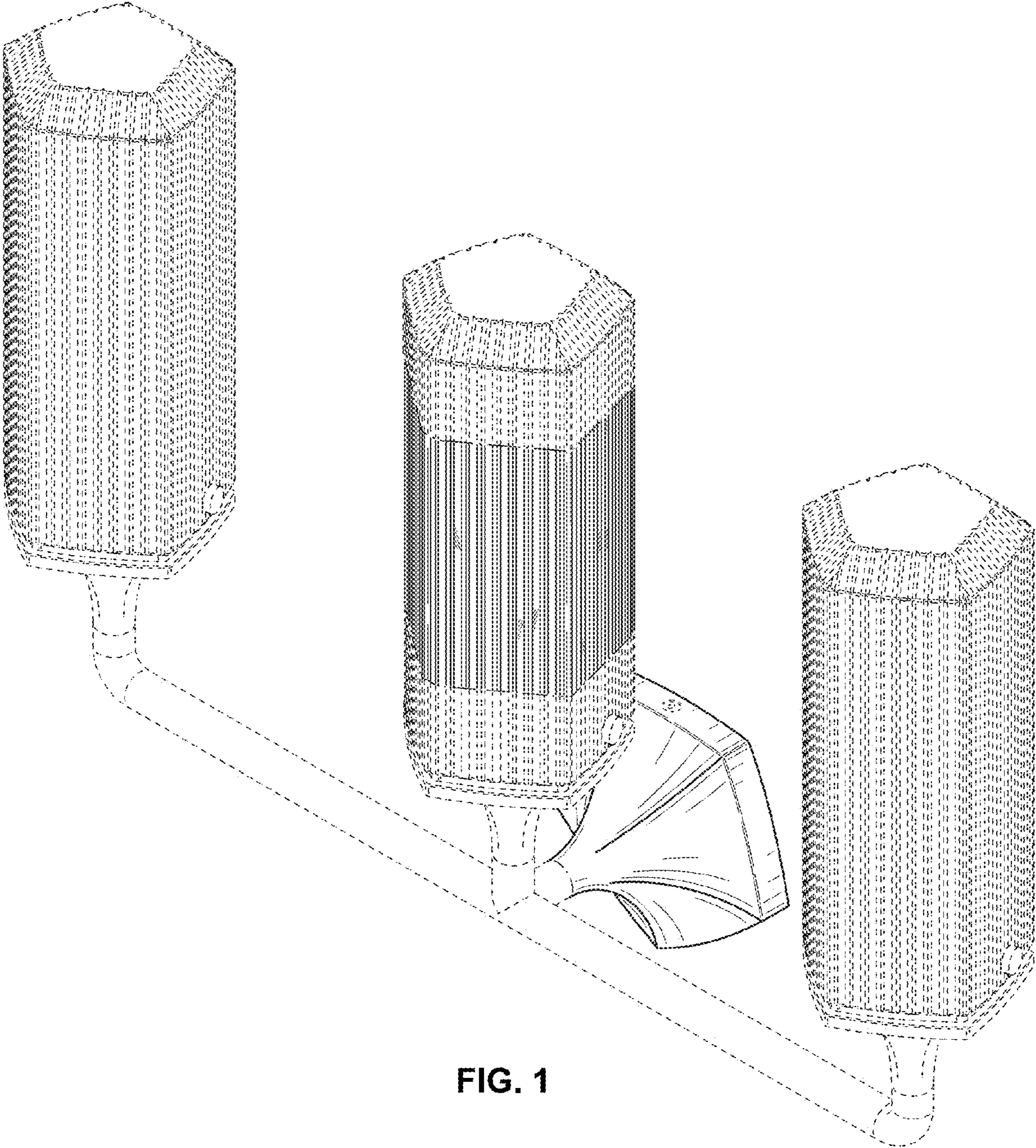


FIG. 1

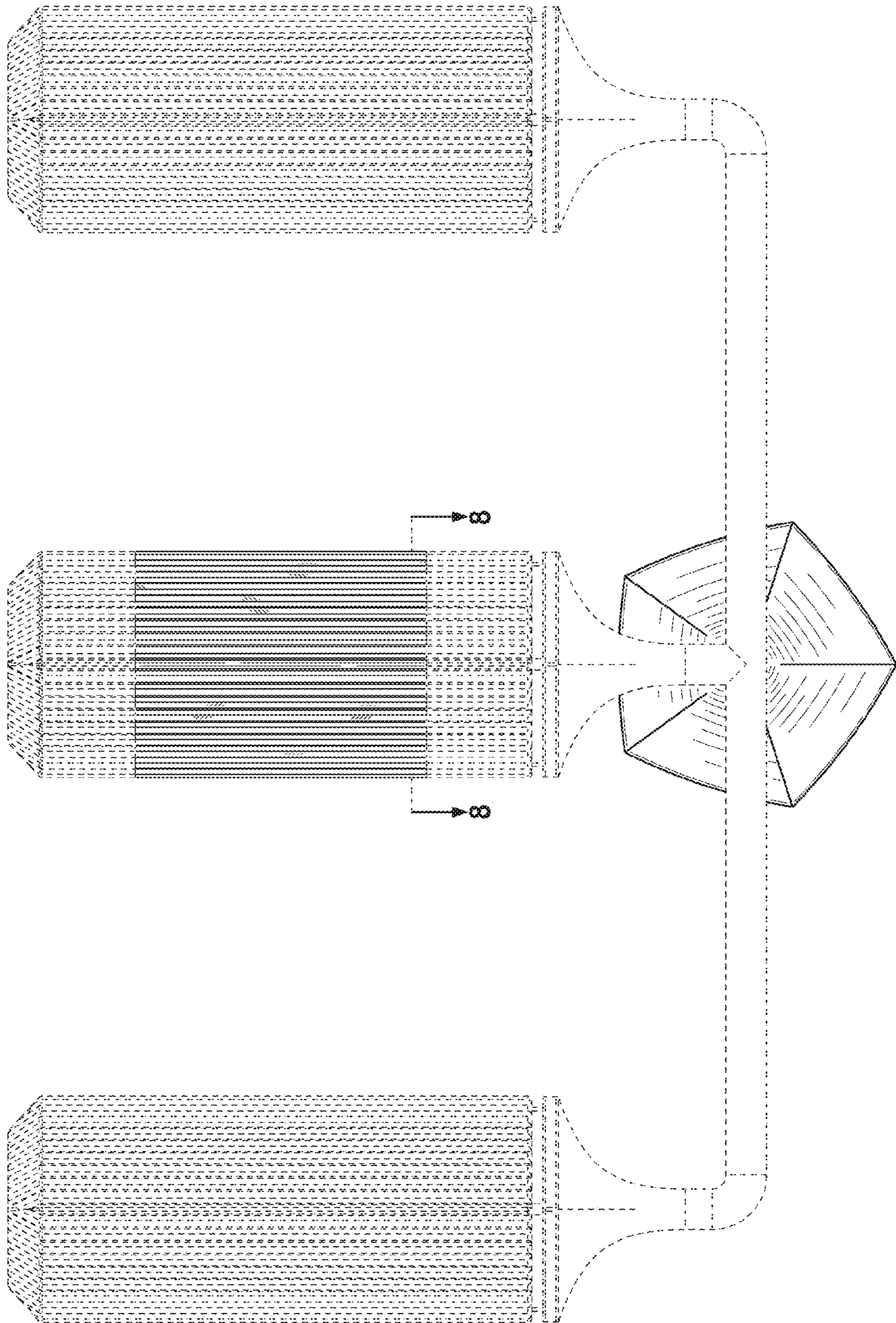


FIG. 2

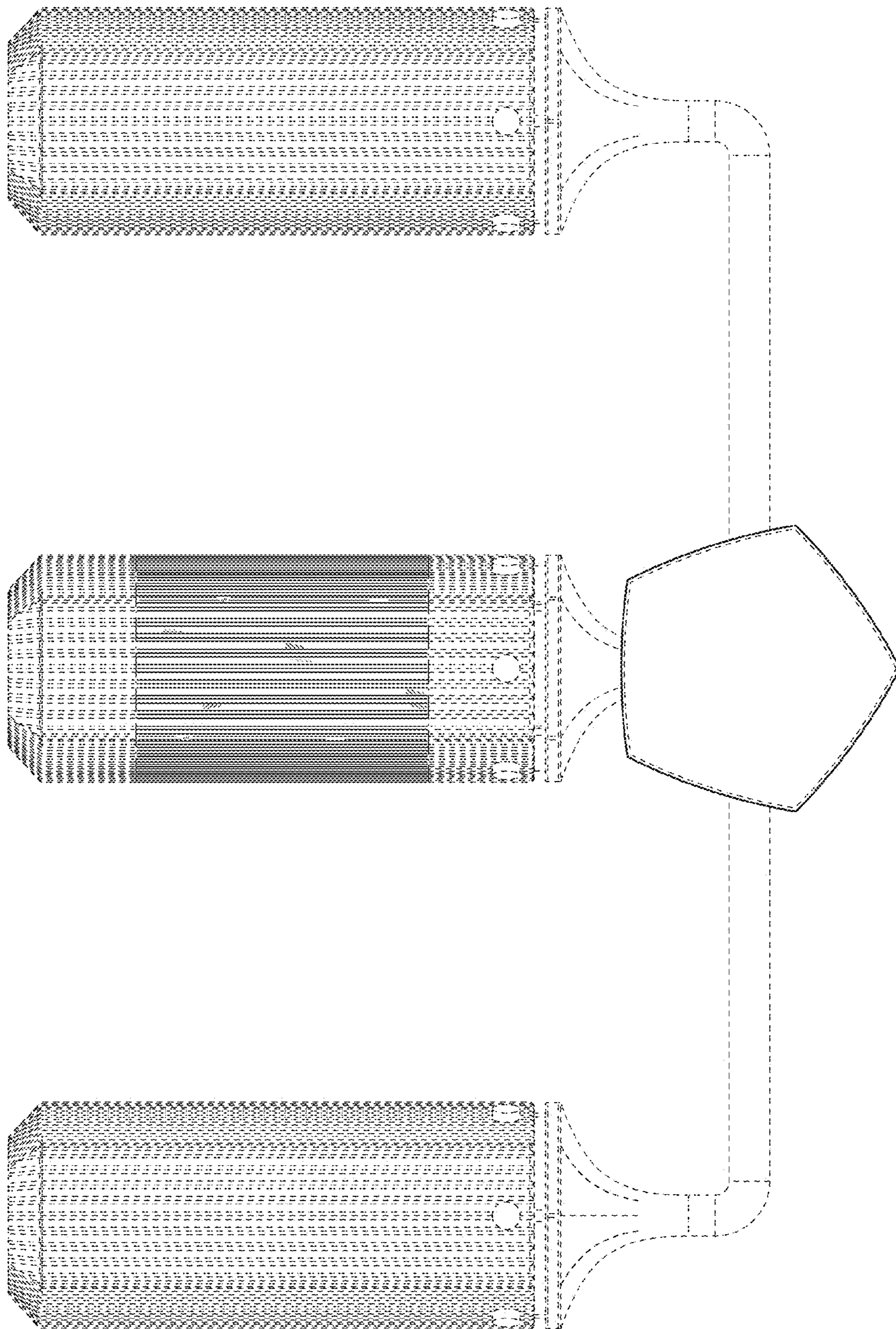


FIG. 3

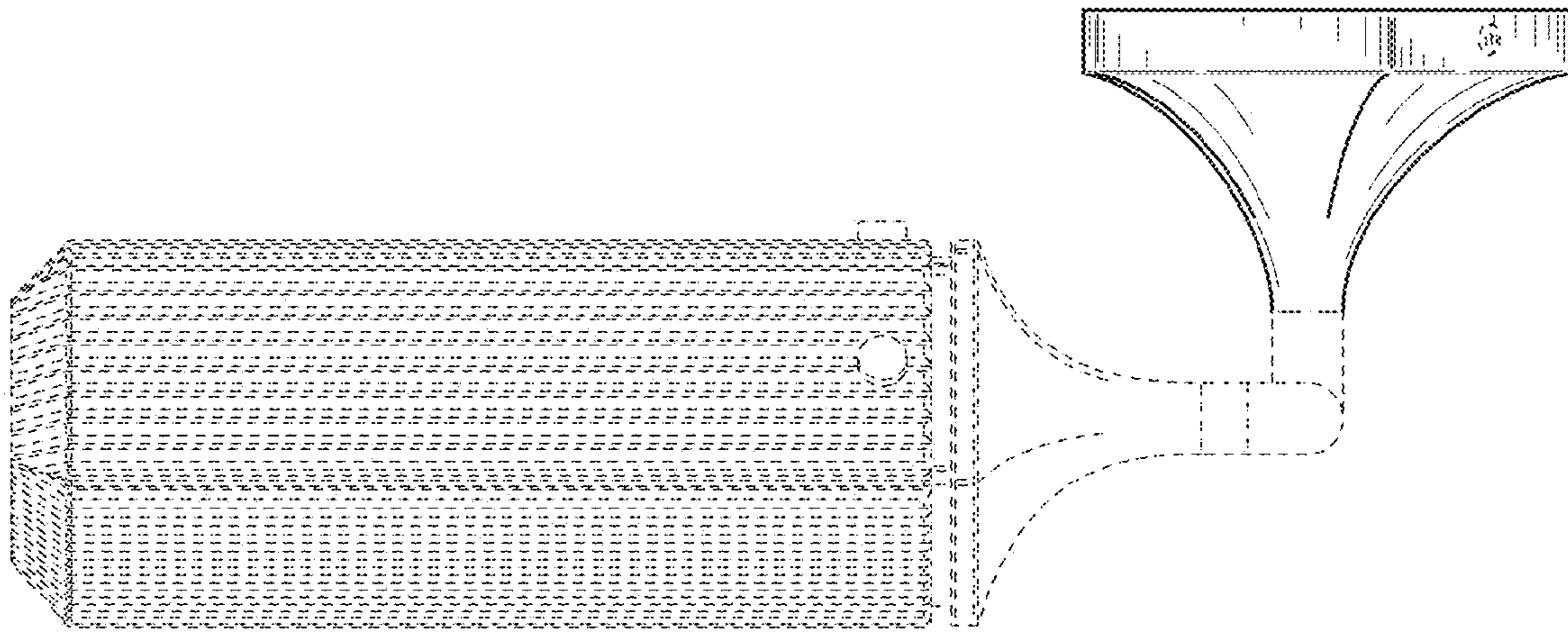


FIG. 4

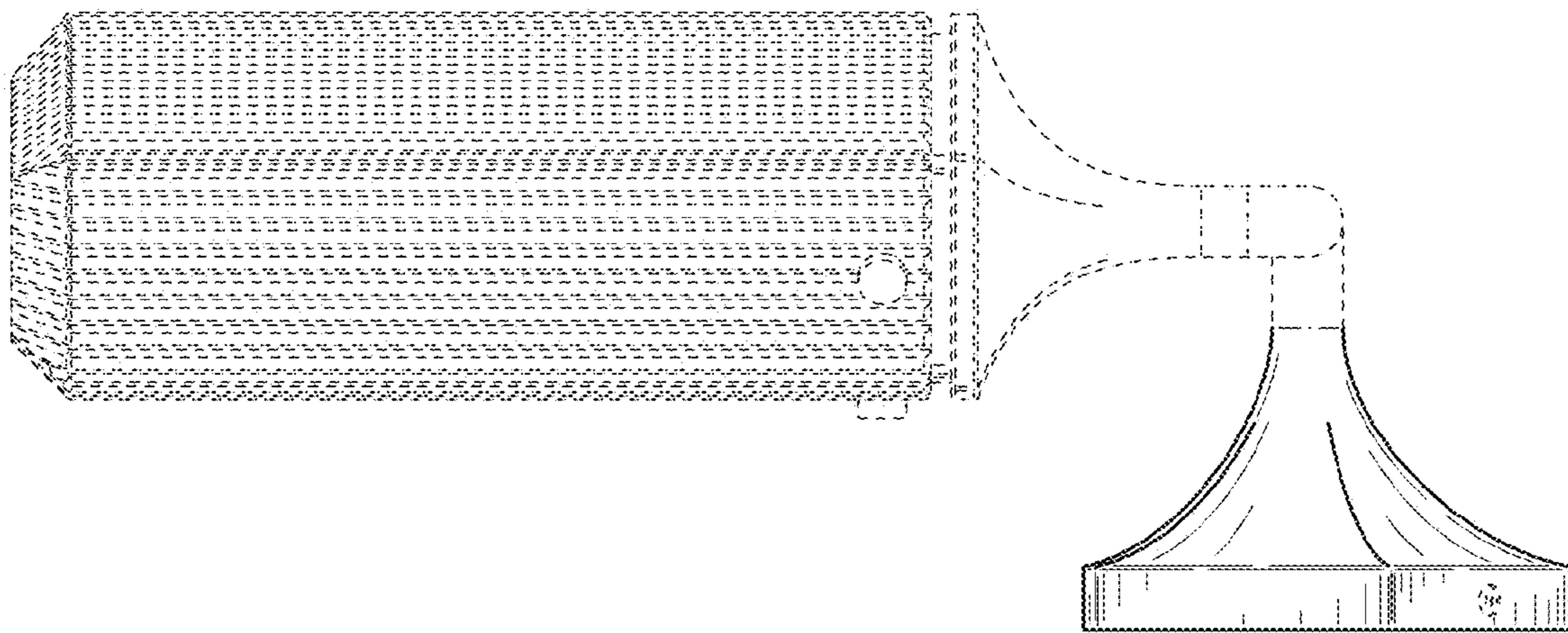


FIG. 5

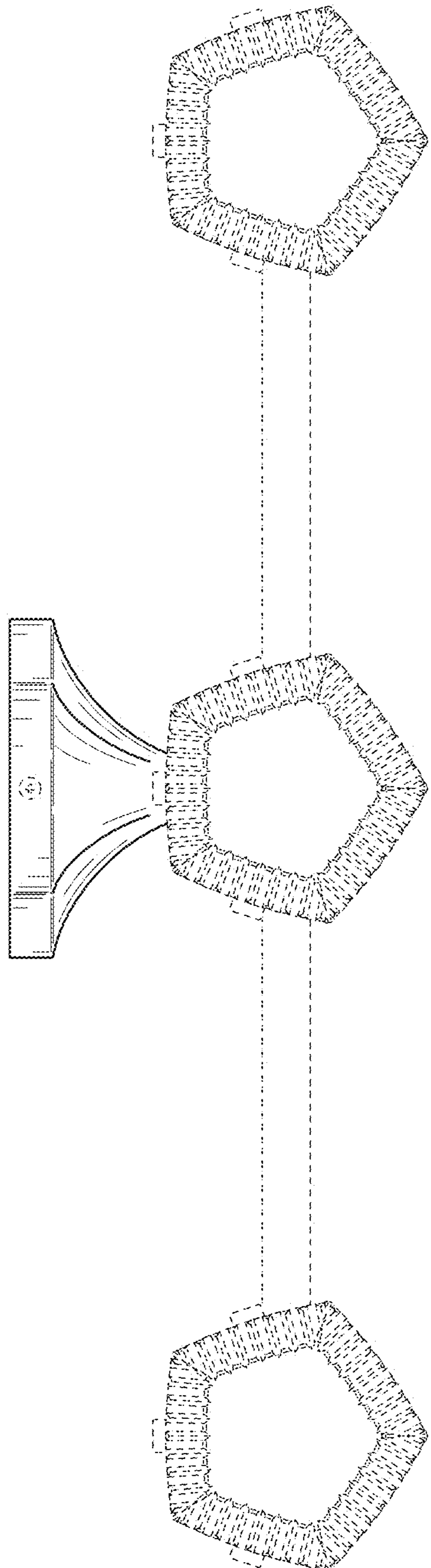


FIG. 6

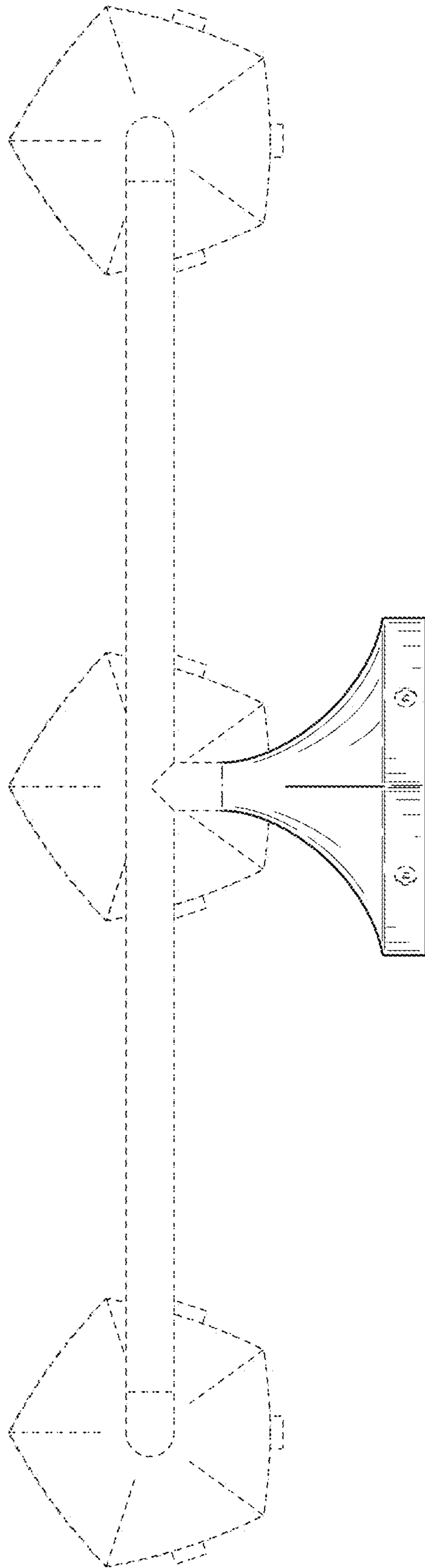


FIG. 7



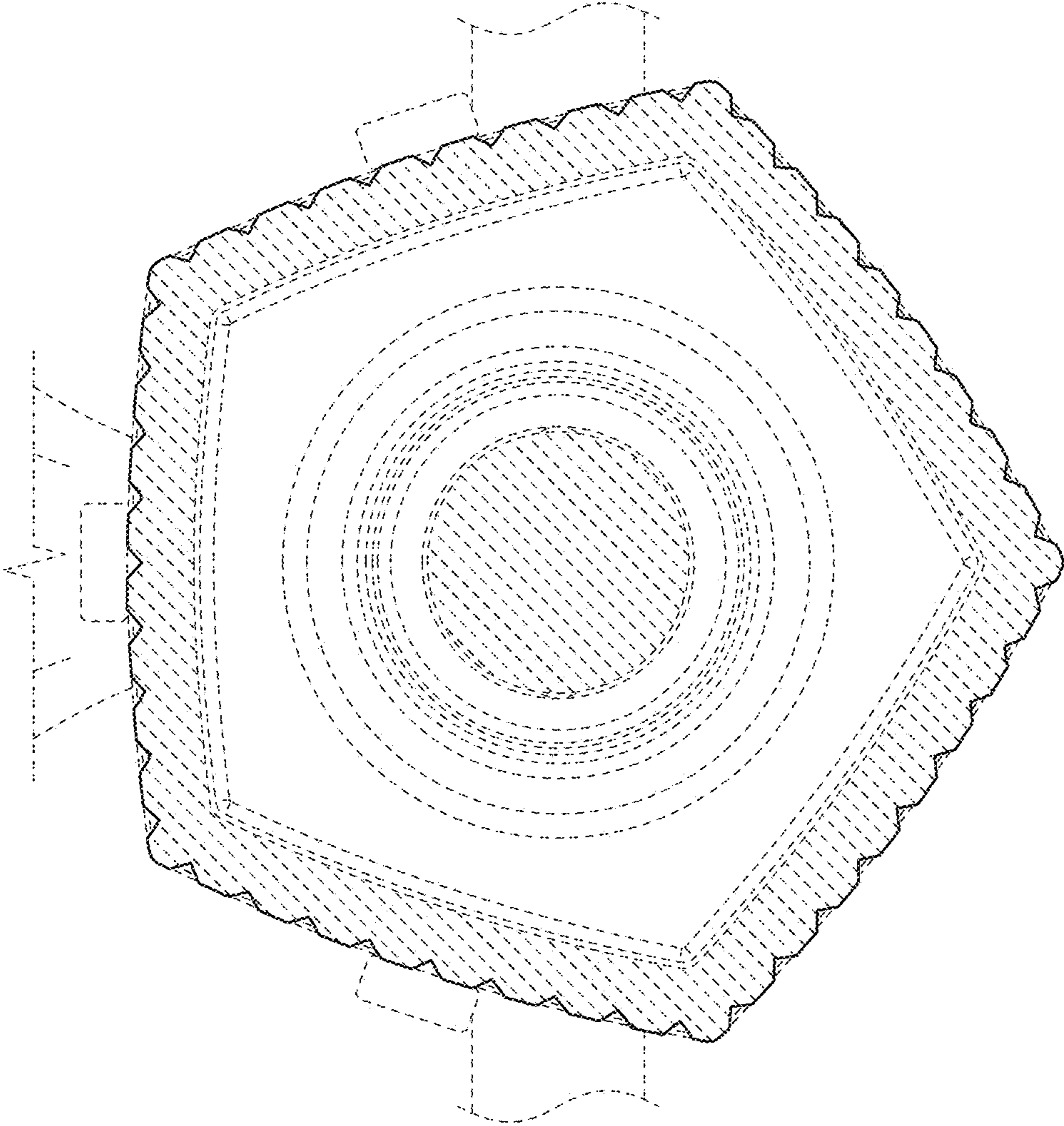


FIG. 8