



US00D982803S

(12) **United States Design Patent**
Cai

(10) **Patent No.:** **US D982,803 S**

(45) **Date of Patent:** **** Apr. 4, 2023**

(54) **LOW PROFILE LIGHT FIXTURE**

(71) Applicant: **HGCI, Inc.**, Las Vegas, NV (US)

(72) Inventor: **Dengke Cai**, Camas, WA (US)

(73) Assignee: **HGCI, Inc.**, Las Vegas, NV (US)

(**) Term: **15 Years**

(21) Appl. No.: **29/757,484**

(22) Filed: **Nov. 6, 2020**

(51) **LOC (14) Cl.** **26-05**

(52) **U.S. Cl.**
USPC **D26/72**

(58) **Field of Classification Search**
USPC D26/13, 24, 25, 72, 75-77, 85, 90
CPC A01G 7/045; F21S 2/00; F21S 4/00; F21S 4/28; F21S 8/00; F21S 8/03; F21S 8/031; F21S 8/036; F21S 8/04; F21S 8/043; F21S 8/06; F21S 8/061
See application file for complete search history.

(56) **References Cited**

U.S. PATENT DOCUMENTS

D881,440 S *	4/2020	Zhu	D26/76
D945,044 S *	3/2022	Chen	D26/76
D949,454 S *	4/2022	Burkhart	D26/76
2018/0087755 A1 *	3/2018	Yorio	F21V 17/007
2019/0230868 A1 *	8/2019	Tao	A01G 7/045
2020/0041109 A1 *	2/2020	Van Der Schyf	F21V 21/14
2020/0060105 A1 *	2/2020	Tsivikis	A01G 25/09
2020/0300447 A1 *	9/2020	Luo	F21V 21/30
2021/0310635 A1 *	10/2021	Daly	F21S 8/061

FOREIGN PATENT DOCUMENTS

CN	305718261	*	4/2020
CN	306067525	*	9/2020
CN	306133377	*	10/2020
EM	008456040-0001	*	3/2021

OTHER PUBLICATIONS

“Mars” reference by Mars Hydro on Amazon.com, first date available Mar. 17, 2020 [online], site visited Jun. 7, 2022, available from internet URL: <https://www.amazon.com/MARS-HYDRO-FC-E6500-Commercial-Detachable/dp/B08Q3F4TX3> (Year: 2020).*

* cited by examiner

Primary Examiner — Marissa J Cash

Assistant Examiner — Liv C Anderson

(74) *Attorney, Agent, or Firm* — Ulmer & Berne LLP

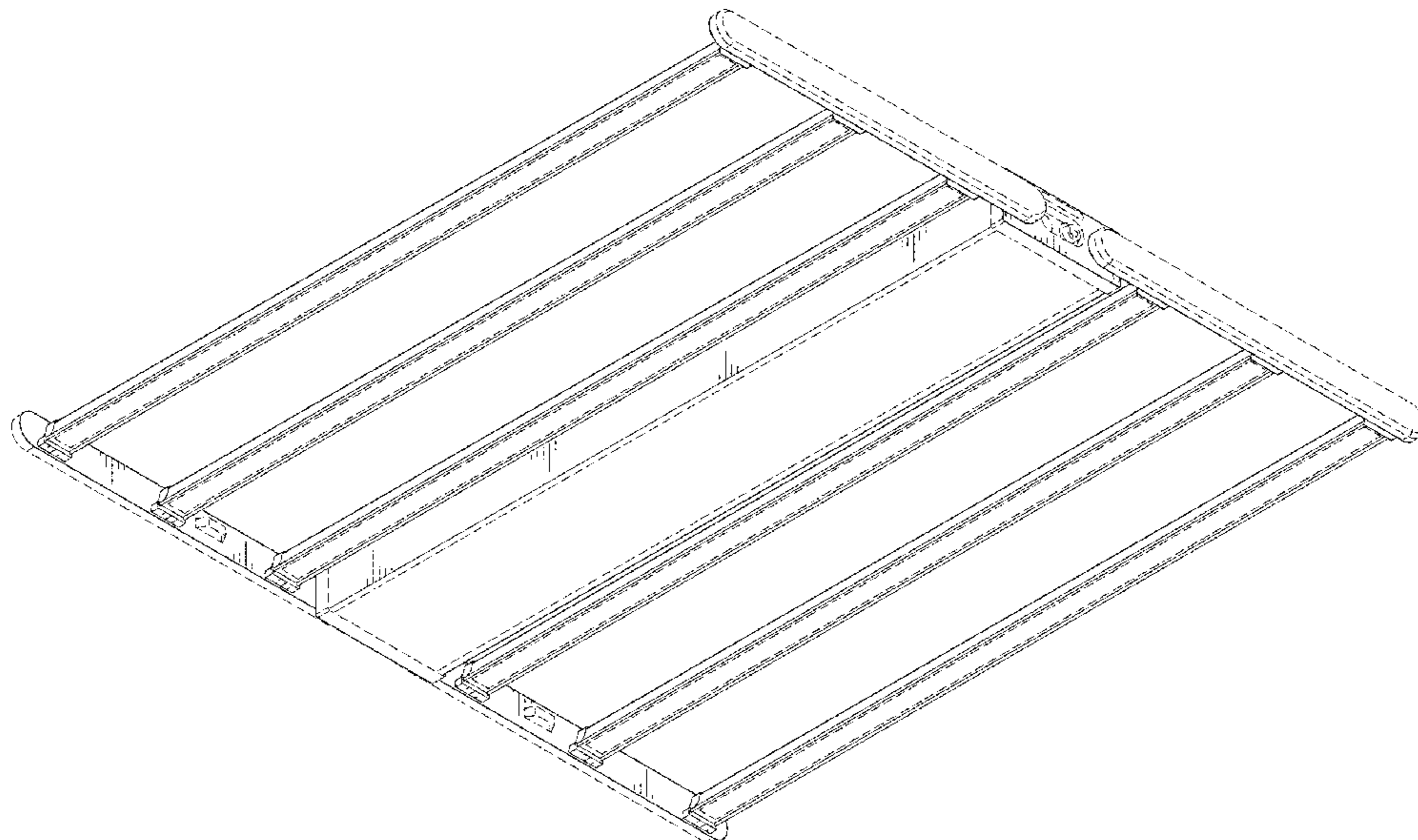
(57) **CLAIM**

The ornamental design for the low profile light fixture, as shown.

DESCRIPTION

FIG. 1 is a front left bottom perspective view depicting a low profile light fixture;
FIG. 2 is a rear left bottom perspective view depicting the light fixture of FIG. 1;
FIG. 3 is a front elevation view depicting the light fixture of FIG. 1;
FIG. 4 is a rear elevation view depicting the light fixture of FIG. 1;
FIG. 5 is a right side view depicting the light fixture of FIG. 1;
FIG. 6 is a left side view depicting the light fixture of FIG. 1;
FIG. 7 is a top plan view depicting the light fixture of FIG. 1;
FIG. 8 is a bottom plan view depicting the light fixture of FIG. 1; and,
FIG. 9 is a front left top perspective view depicting the light fixture of FIG. 1.
The broken lines in the drawings depict portions of the low profile light fixture that form no part of the claimed design.

1 Claim, 6 Drawing Sheets



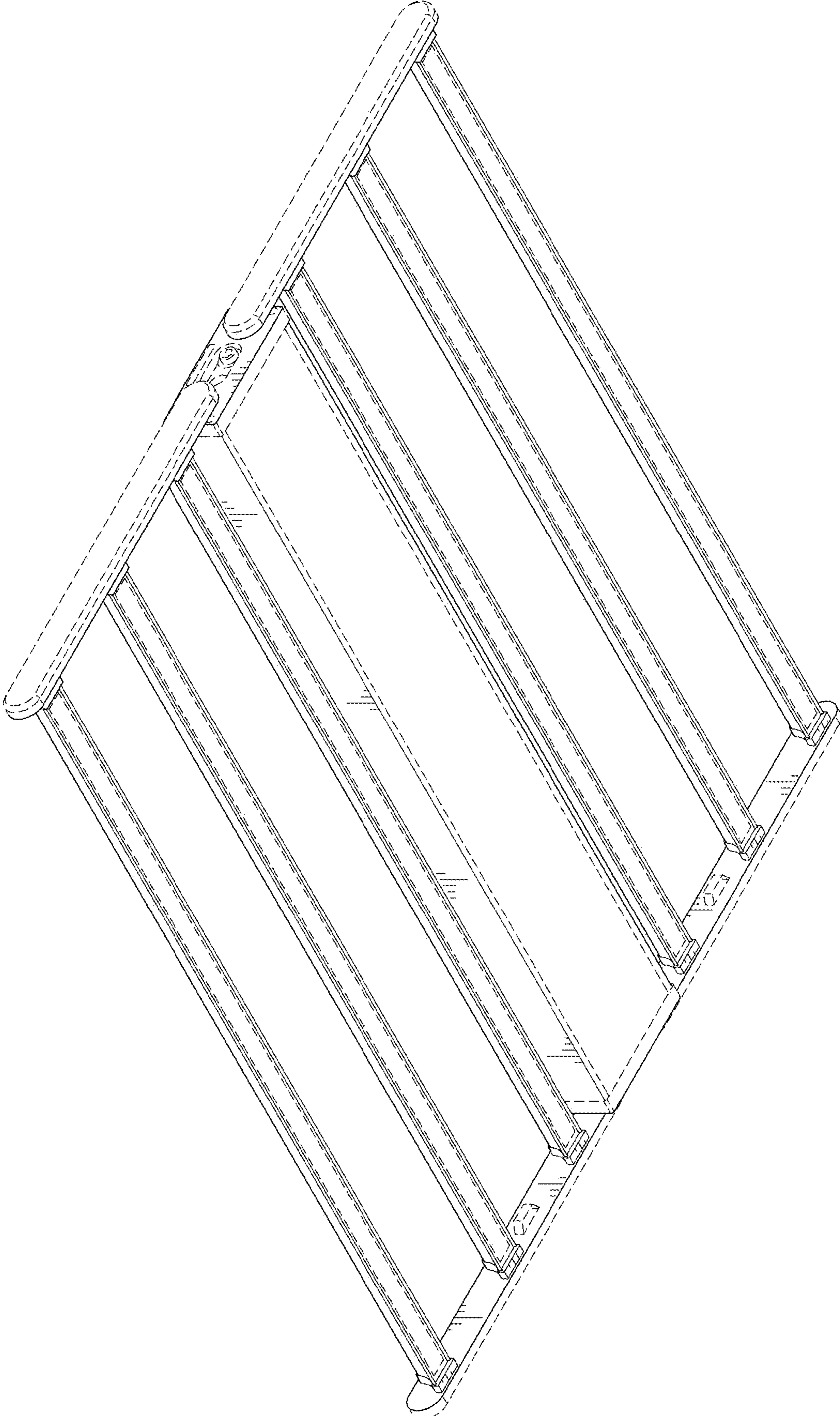


FIG. 1

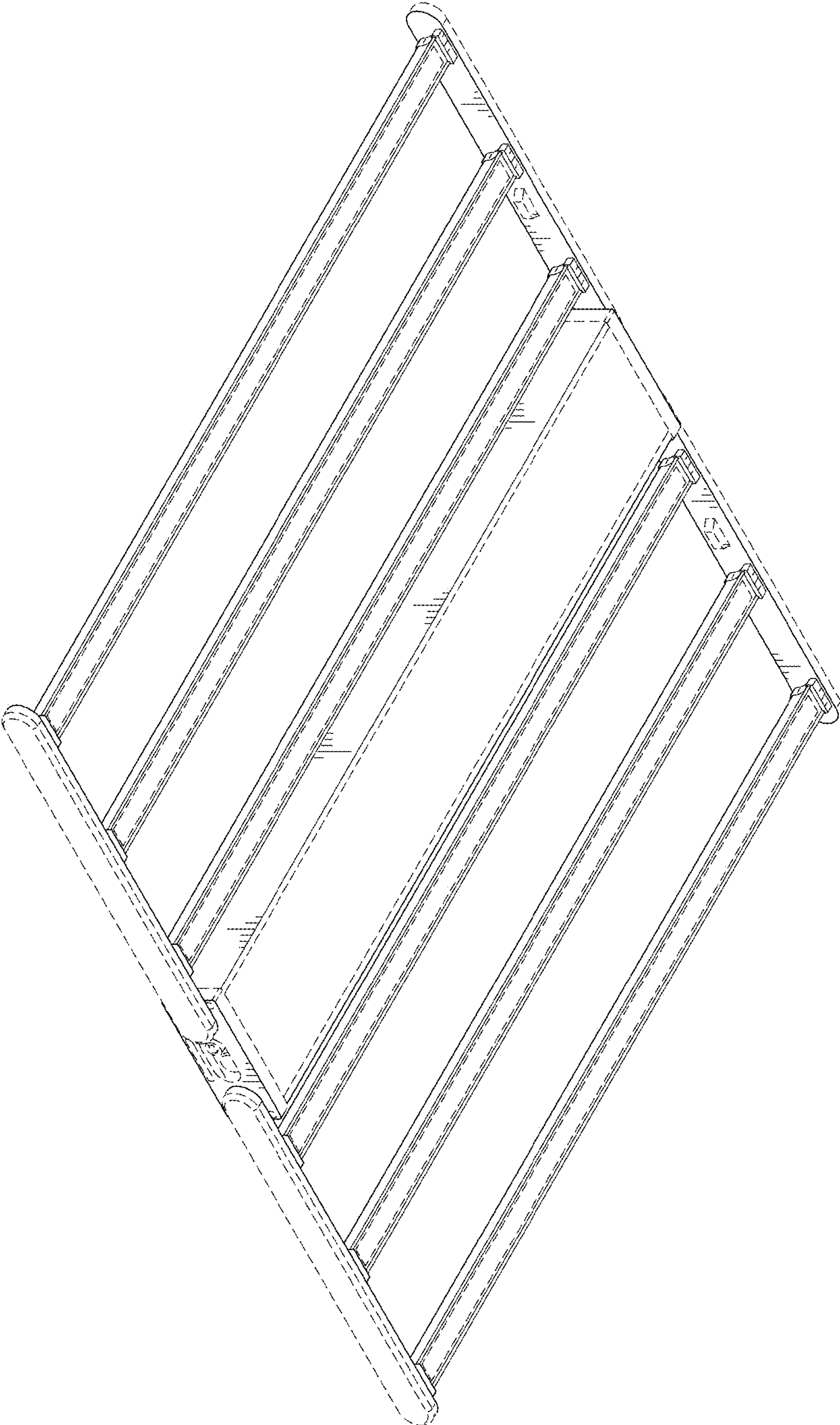


FIG. 2

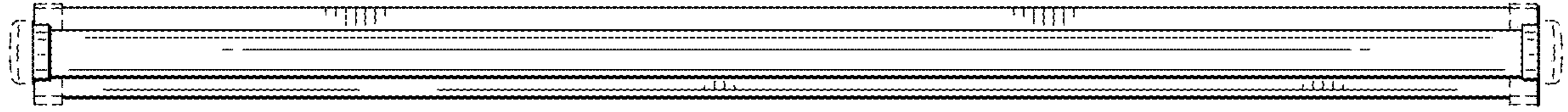


FIG. 3

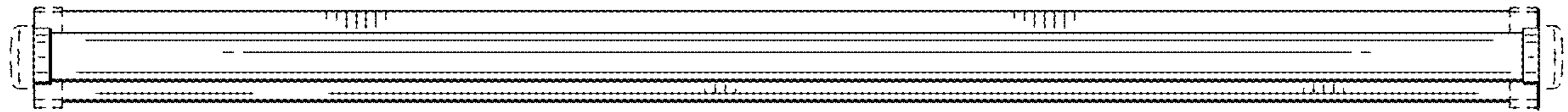


FIG. 4



FIG. 5



FIG. 6

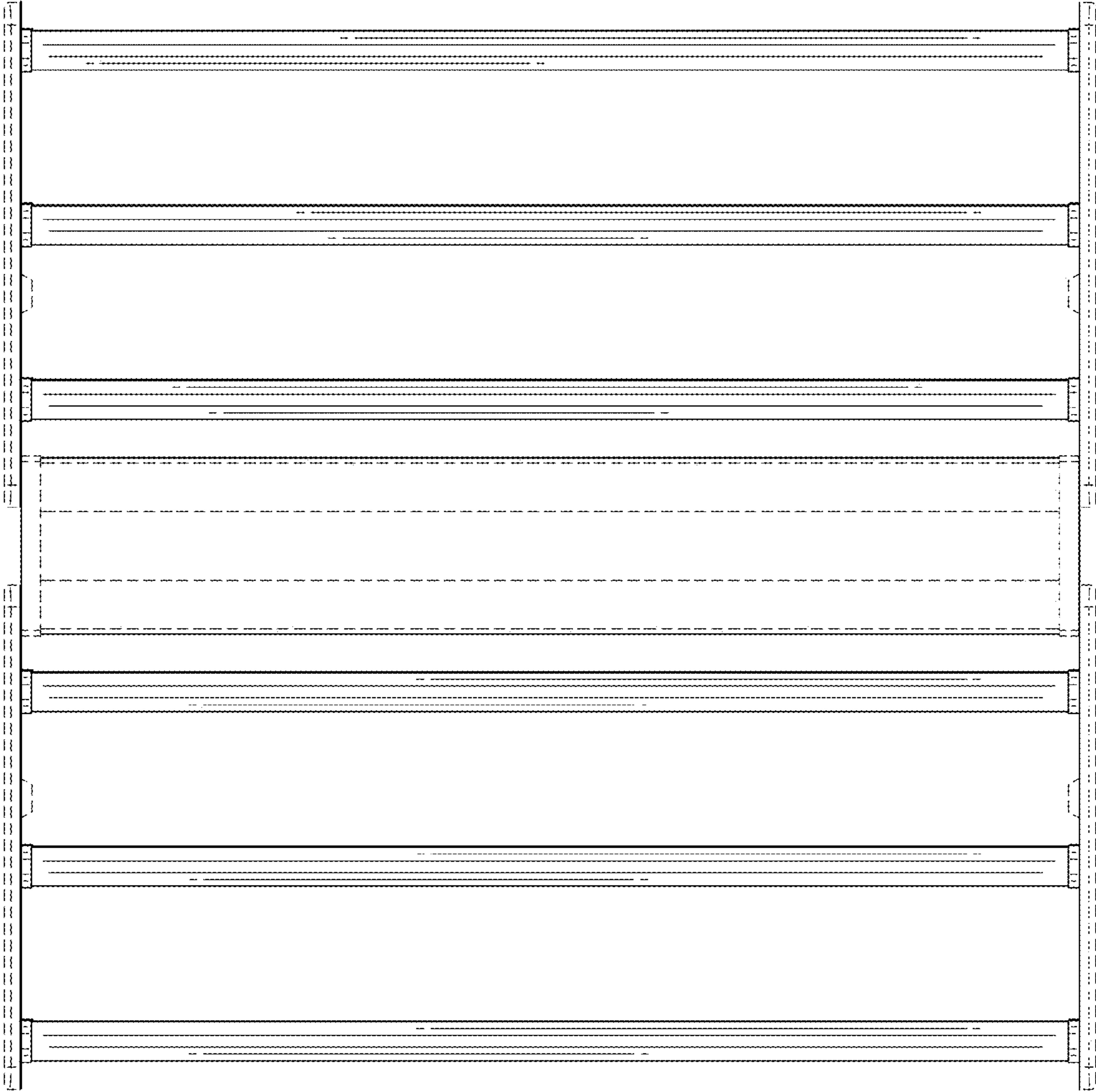


FIG. 7

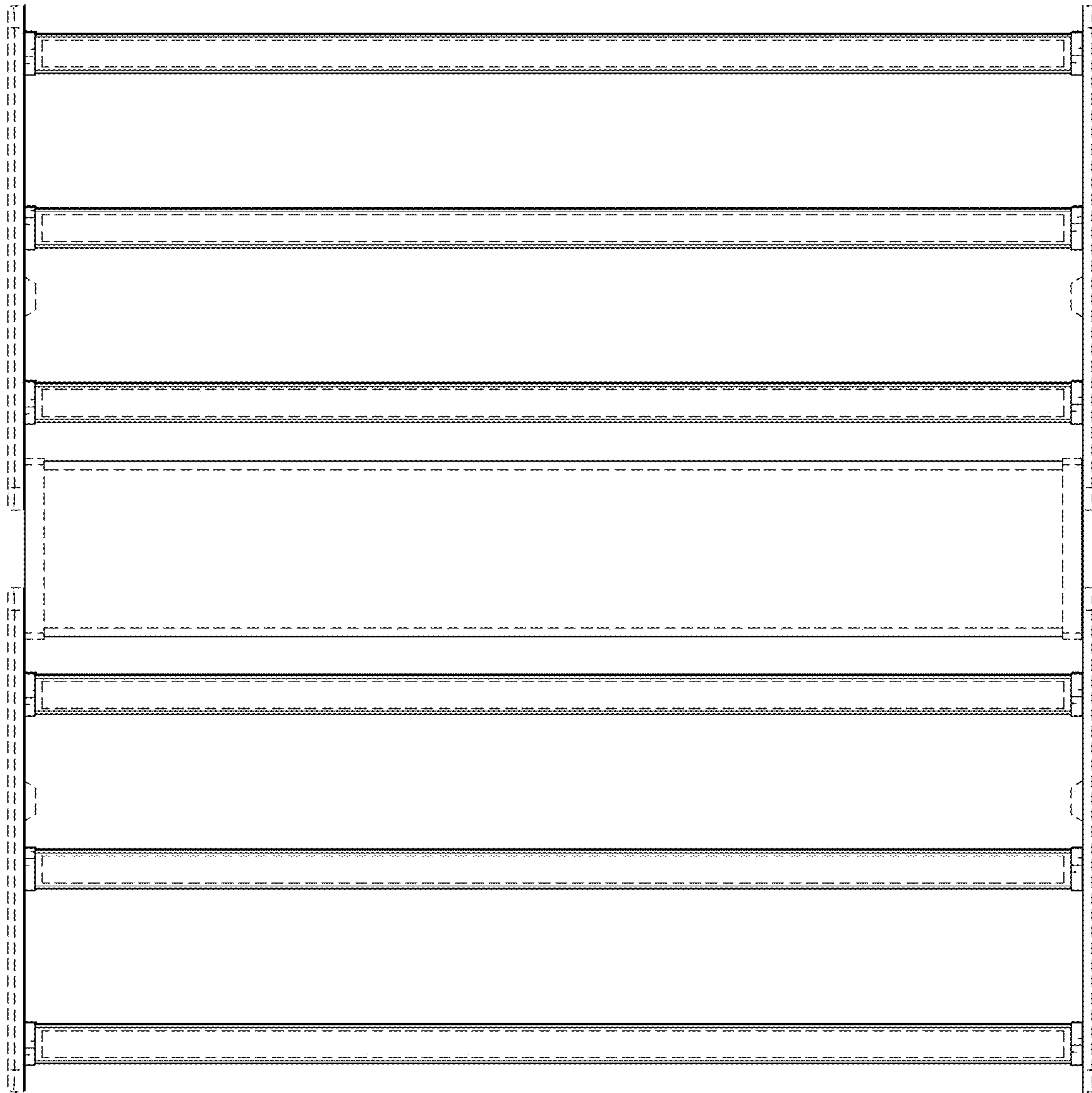


FIG. 8

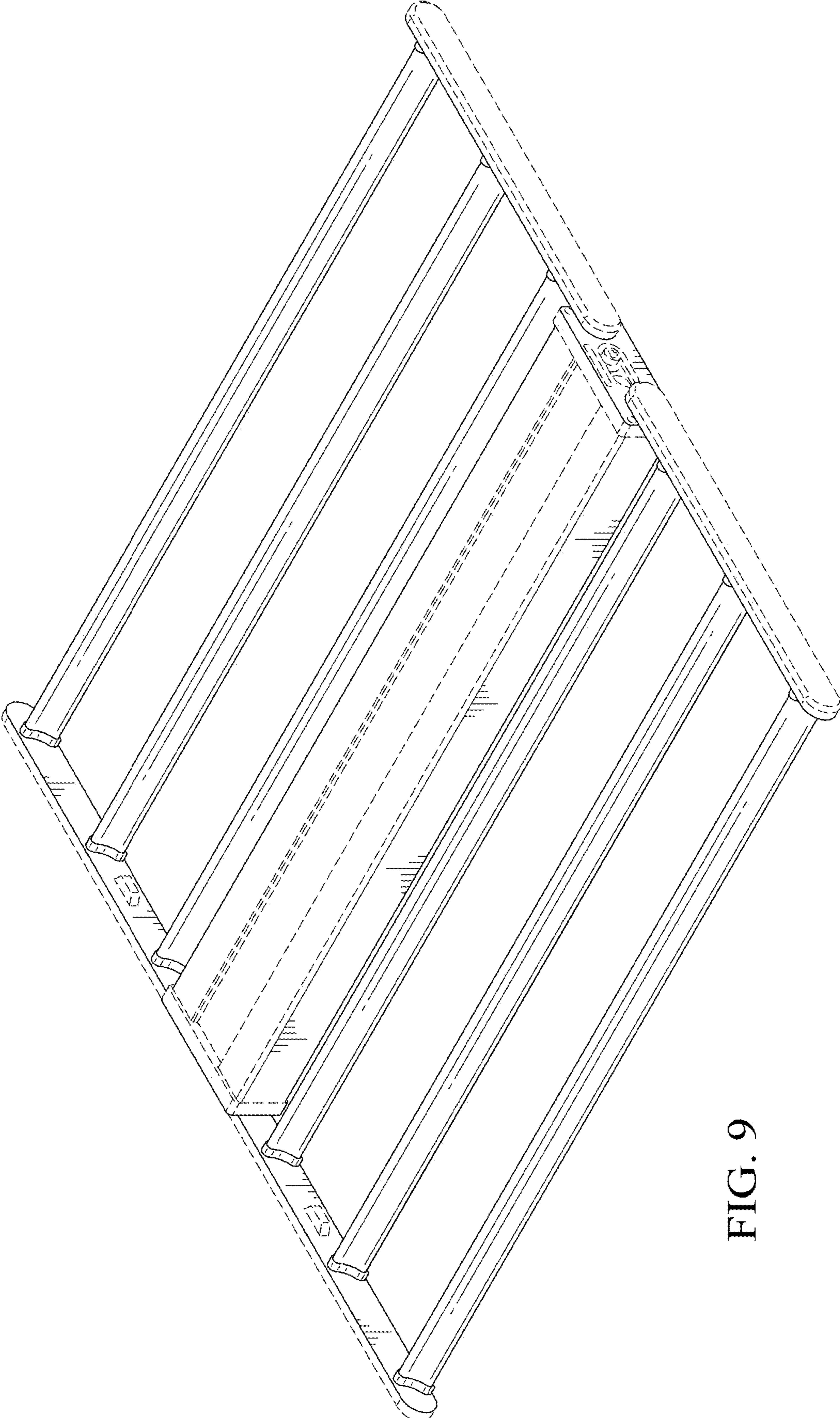


FIG. 9