



US00D982800S

(12) **United States Design Patent**
Liu

(10) **Patent No.:** **US D982,800 S**

(45) **Date of Patent:** **** Apr. 4, 2023**

(54) **SKY PROJECTION LAMP**

(71) Applicant: **Zhongshan BO LONG Electronic Technology Co., Ltd.**, Guangdong (CN)

(72) Inventor: **Kexian Liu**, Guangdong (CN)

(**) Term: **15 Years**

(21) Appl. No.: **29/799,623**

(22) Filed: **Jul. 15, 2021**

(30) **Foreign Application Priority Data**

Jul. 1, 2021 (EM) 008597991-0001

(51) **LOC (14) Cl.** **26-05**

(52) **U.S. Cl.**
USPC **D26/63; D26/67**

(58) **Field of Classification Search**
USPC D26/63, 67-71, 85
CPC ... F21S 8/00; F21S 8/003; F21S 8/043; F21V 21/00; F21V 21/14; F21V 21/30; F21V 14/00; F21V 14/02
See application file for complete search history.

(56) **References Cited**

U.S. PATENT DOCUMENTS

D439,999 S *	4/2001	Stekelenburg	D26/65
D542,959 S *	5/2007	Yao	D26/68
D561,368 S *	2/2008	Opolka	D26/61
D640,409 S *	6/2011	Lin	D26/93
D667,981 S *	9/2012	Connolly	D26/63
D676,190 S *	2/2013	Guercio	D26/128
D697,244 S *	1/2014	McKechnie	D26/60
D716,986 S *	11/2014	Ng	D26/60
D778,478 S *	2/2017	Khubani	D26/63
D790,100 S *	6/2017	Jadhav	D26/63
D814,090 S *	3/2018	Deng	D26/63
D818,171 S *	5/2018	Brynjolfsson	D26/63
10,042,238 B1 *	8/2018	Zhang	G03B 21/003

D830,621 S *	10/2018	Jadhav	D26/118
D838,026 S *	1/2019	Jiang	D26/67
10,324,266 B1 *	6/2019	Advani	F21V 14/06

(Continued)

OTHER PUBLICATIONS

Zordin, Outdoor Projector Light. First available Jul. 11, 2022. Searched on Nov. 10, 2022. [https://www.amazon.com/Christmas-Projector-Patterns-Snowflake-Waterproof/dp/B0B67PRRWG/](Year: 2022).*

(Continued)

Primary Examiner — W. A. Teddy Falloway
Assistant Examiner — Melissa Adriane Santos

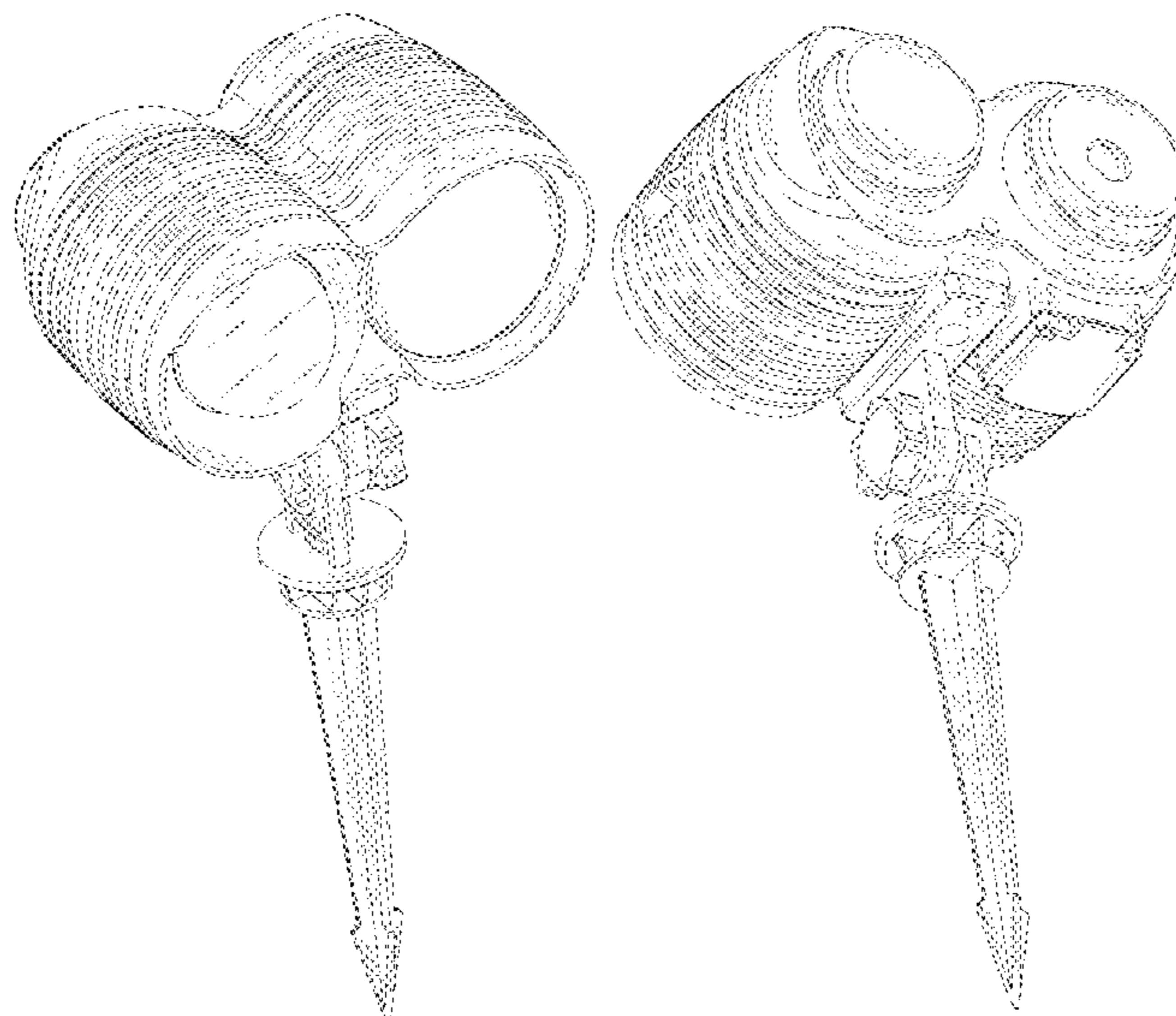
(57) **CLAIM**

The ornamental design for a sky projection lamp, as shown and described.

DESCRIPTION

FIG. 1 is a front and top perspective view of a sky projection lamp design showing my new design.
FIG. 2 is a rear and bottom perspective view of a sky projection lamp.
FIG. 3 is a front view of a sky projection lamp.
FIG. 4 is a rear view of a sky projection lamp.
FIG. 5 is a left side view of a sky projection lamp.
FIG. 6 is a right side view of a sky projection lamp.
FIG. 7 is a top view of a sky projection lamp.
FIG. 8 is a bottom view of a sky projection lamp.
FIG. 9 is an enlarged view of a sky projection lamp, as shown in FIG. 3; and,
FIG. 10 is an enlarged view of a sky projection lamp, as shown in FIG. 4.
The broken-line circle, which illustrates the boundary of the enlarged view shown in FIGS. 3, 9 and 10, along with the related straight broken line in FIG. 3, together represent a detail callout, which form no part of the claimed design.

1 Claim, 10 Drawing Sheets



(56)

References Cited

U.S. PATENT DOCUMENTS

D856,564	S	*	8/2019	Liu	D26/63
D857,962	S	*	8/2019	Zhang	D26/63
D865,253	S	*	10/2019	Yang	D26/63
D866,836	S	*	11/2019	Ji	D26/63
D868,330	S	*	11/2019	Ji	D26/63
D877,384	S	*	3/2020	Joshi	D26/118
D882,852	S	*	4/2020	Liu	D26/63
D890,974	S	*	7/2020	Huang	D26/63
D903,920	S	*	12/2020	Kang	D26/63
D915,652	S	*	4/2021	Li	D26/63
D922,647	S	*	6/2021	De Laeter	D26/63
D958,433	S	*	7/2022	Gao	D26/63
11,493,181	B2	*	11/2022	Zheng	F21S 10/007

OTHER PUBLICATIONS

Aoceley, Outdoor Projector Light. First available Aug. 11, 2022.
Searched on Nov. 10, 2022. [<https://www.amazon.com/dp/B0B98VKT65/>] (Year: 2022).*

Mitata, Outdoor Projector Light. First available Jul. 30, 2021.
Searched on Nov. 10, 2022. [<https://www.amazon.com/dp/B09BJRMWRY/>] (Year: 2021).*

* cited by examiner

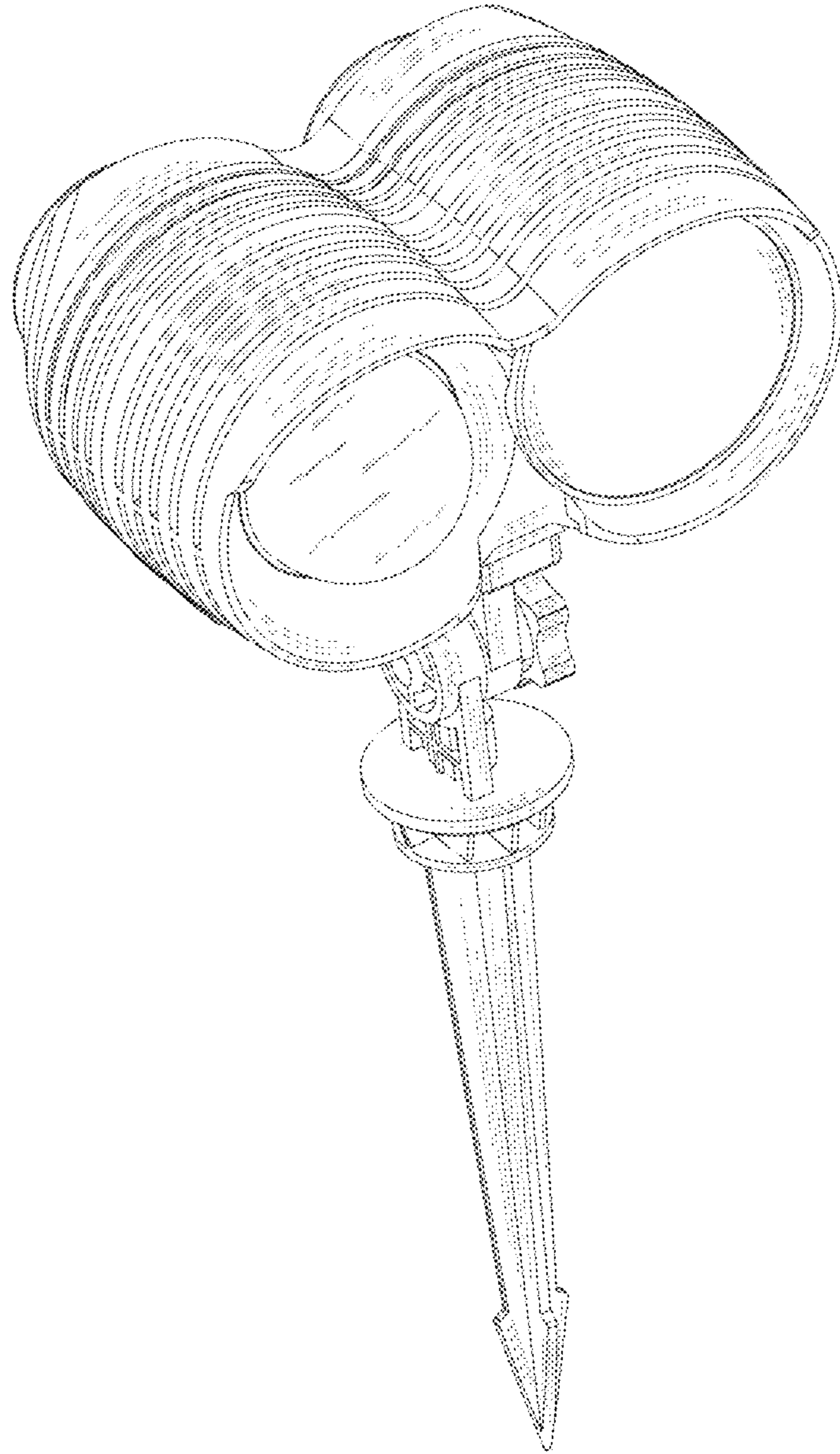


FIG. 1

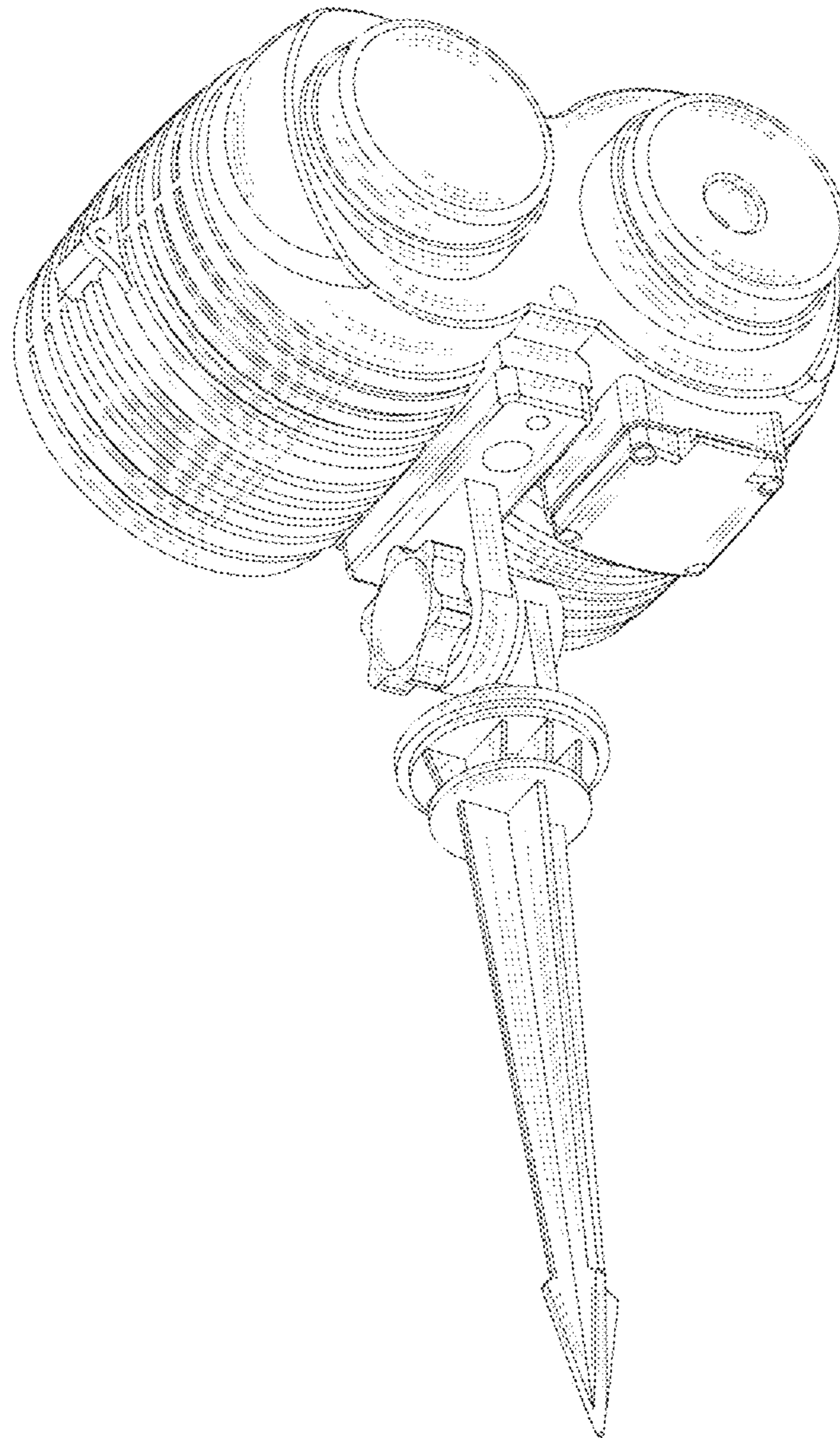


FIG. 2

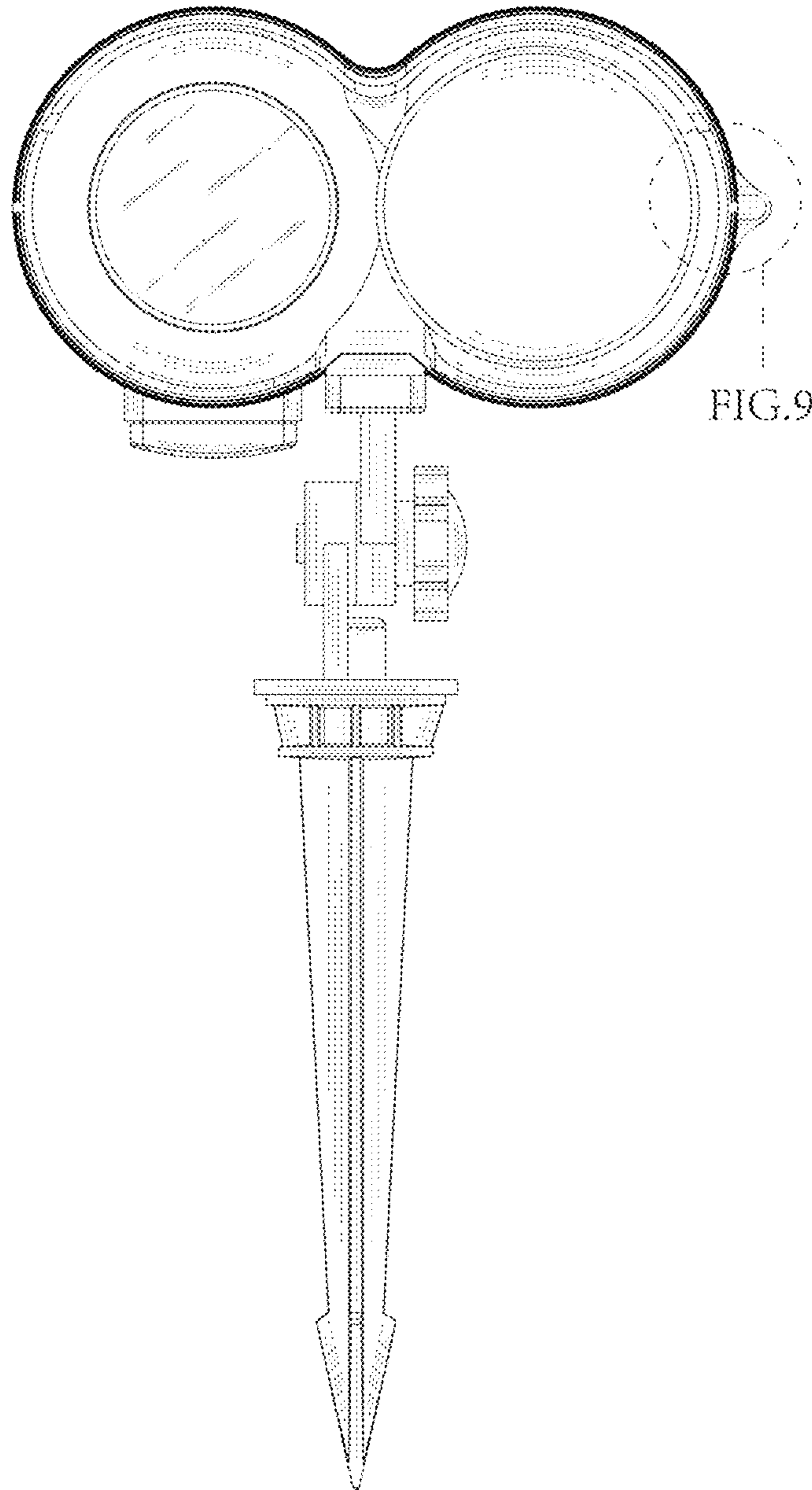


FIG. 9

FIG. 3

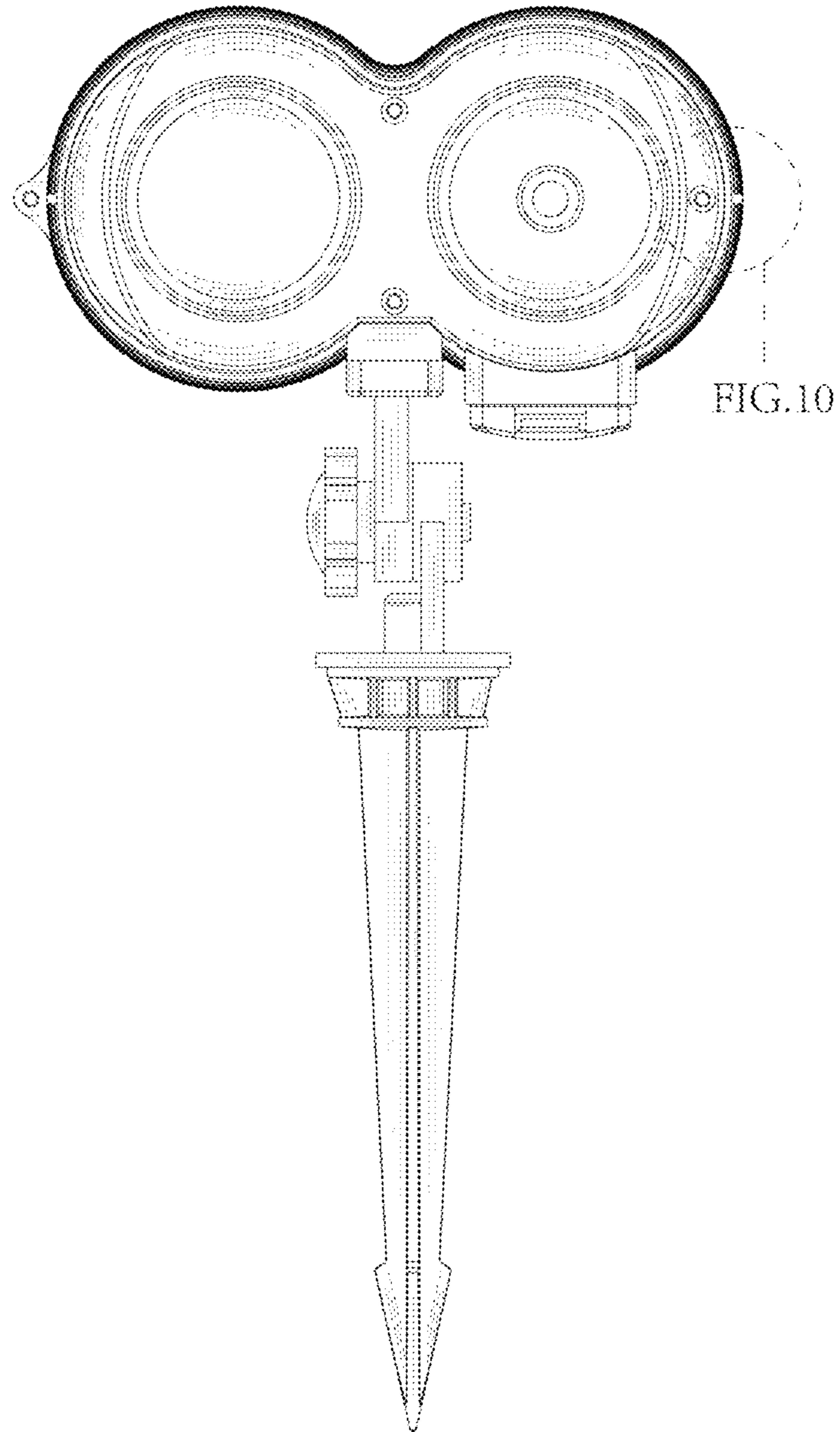


FIG. 4

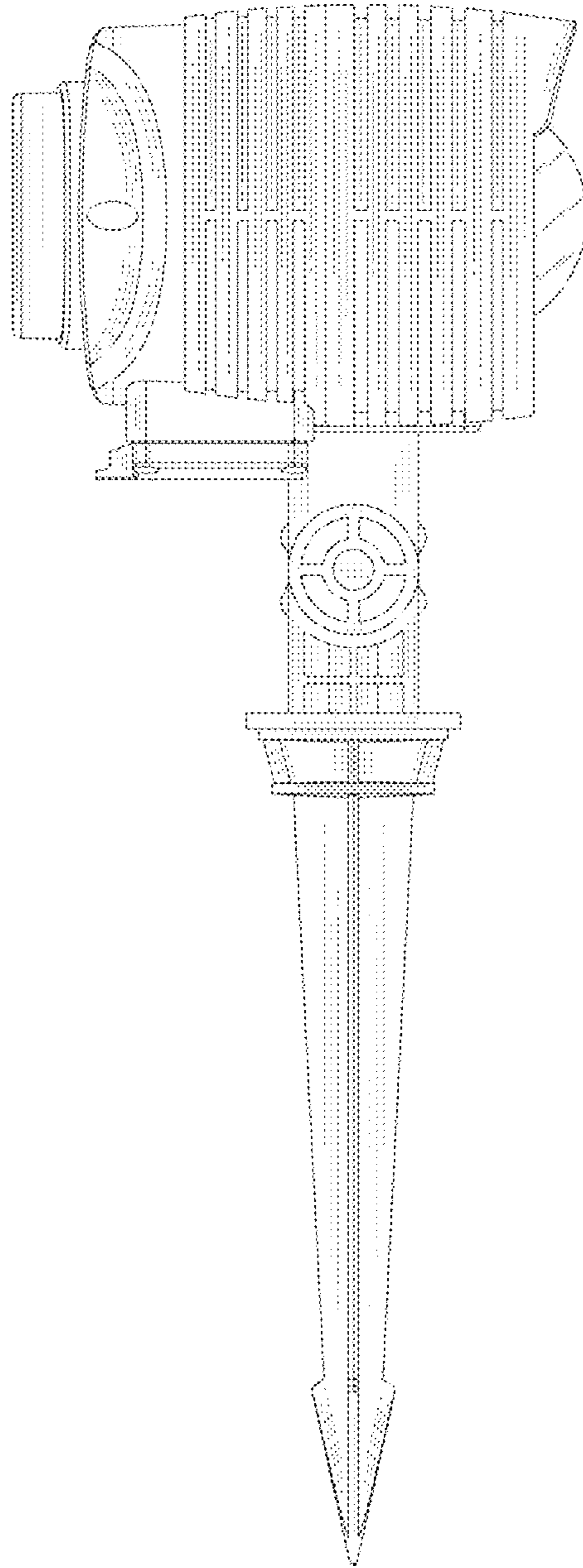


FIG. 5

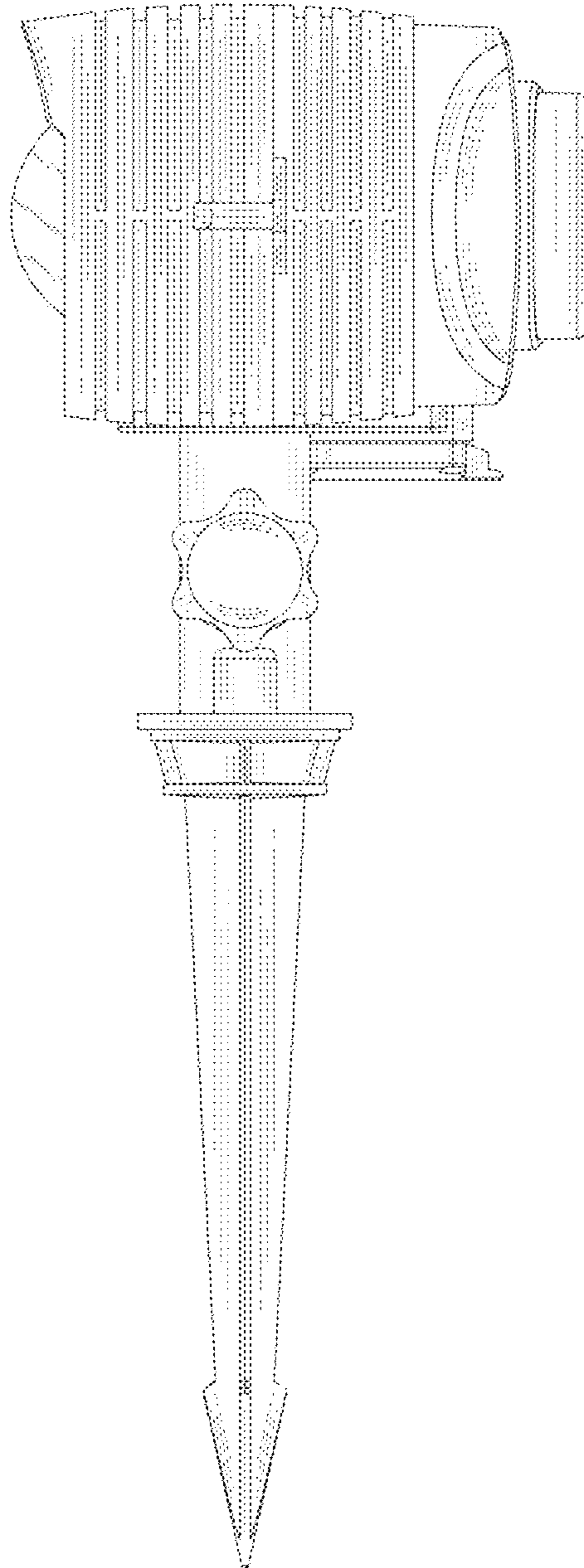


FIG. 6

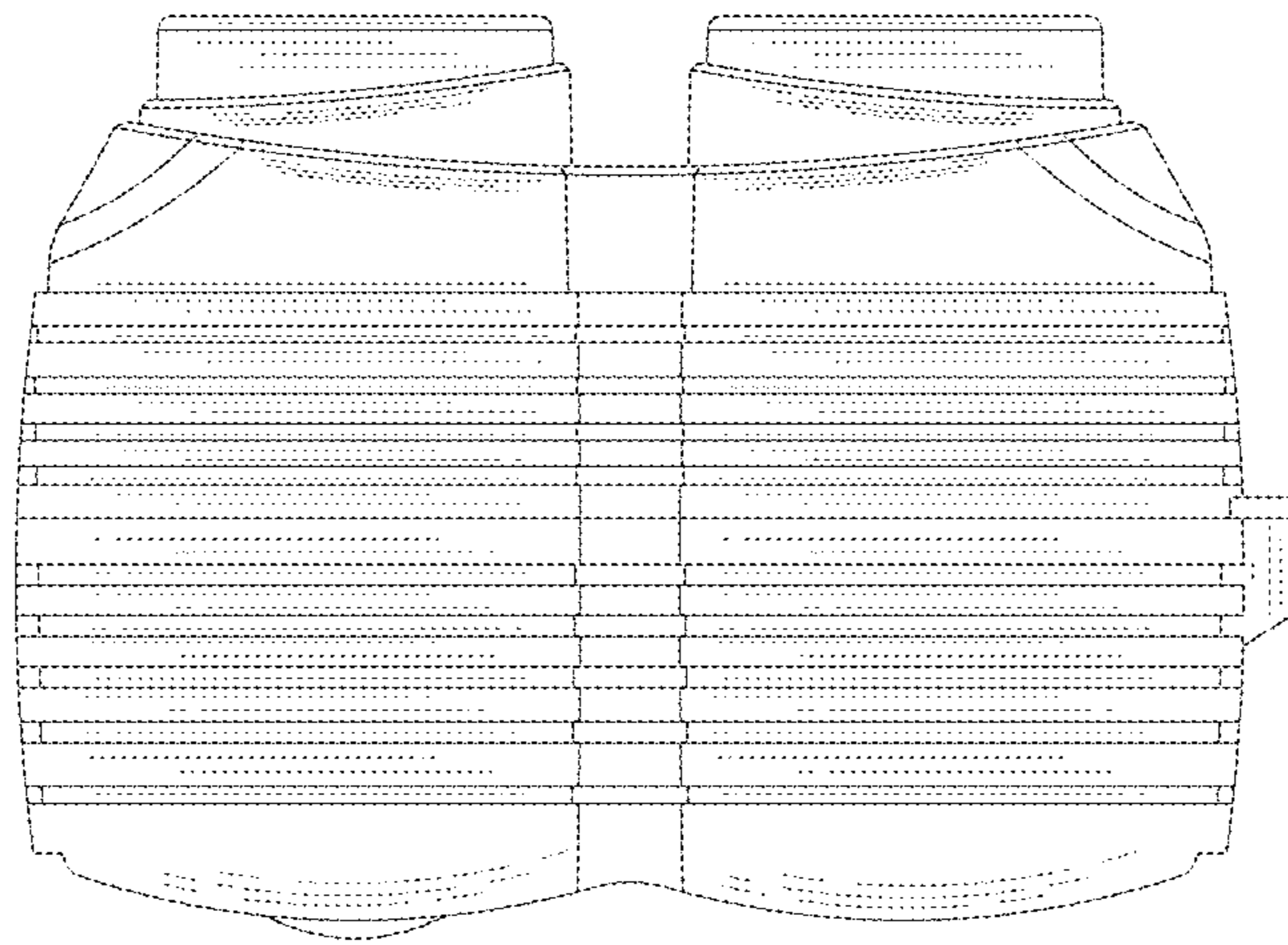


FIG. 7

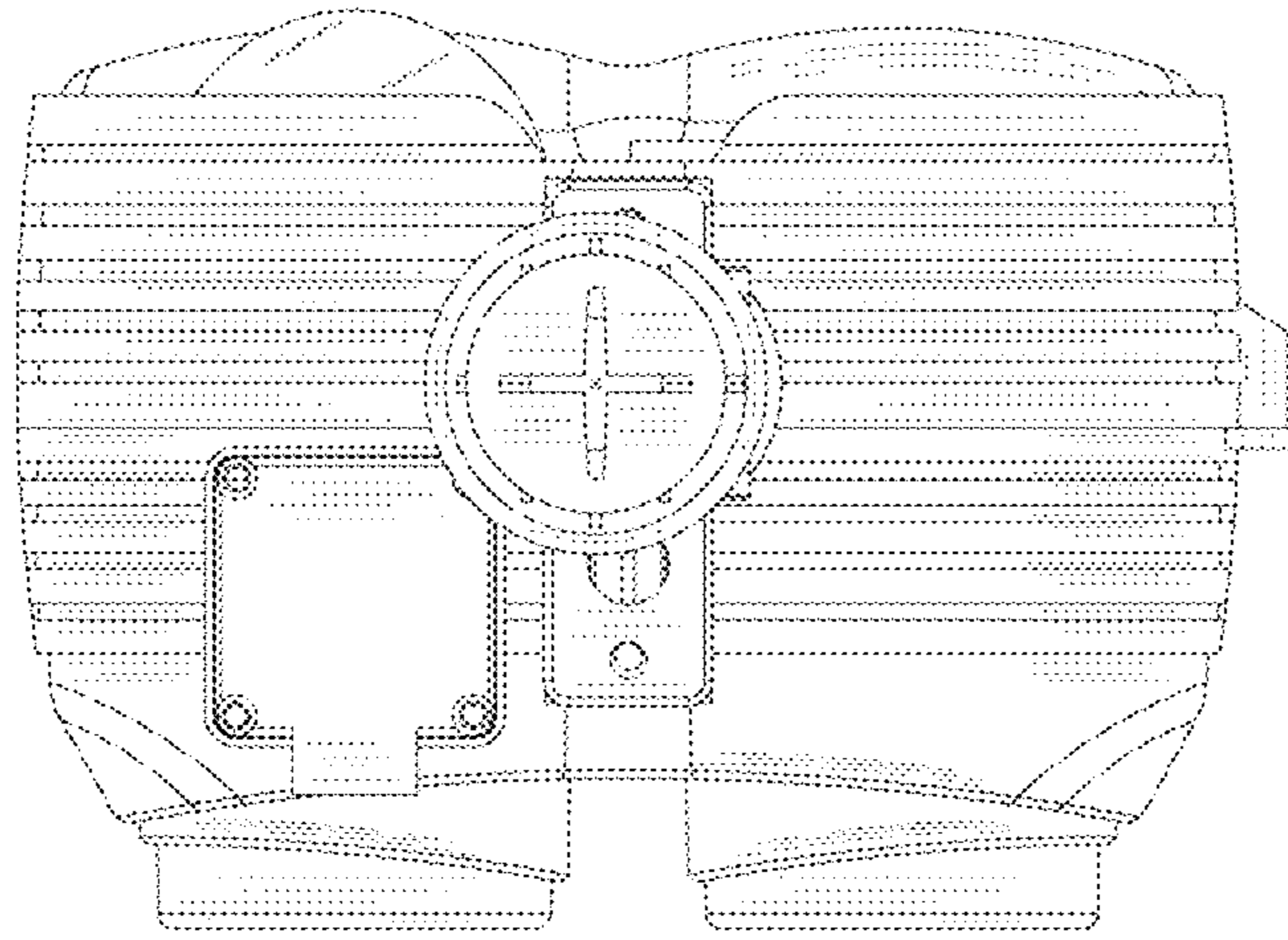


FIG. 8

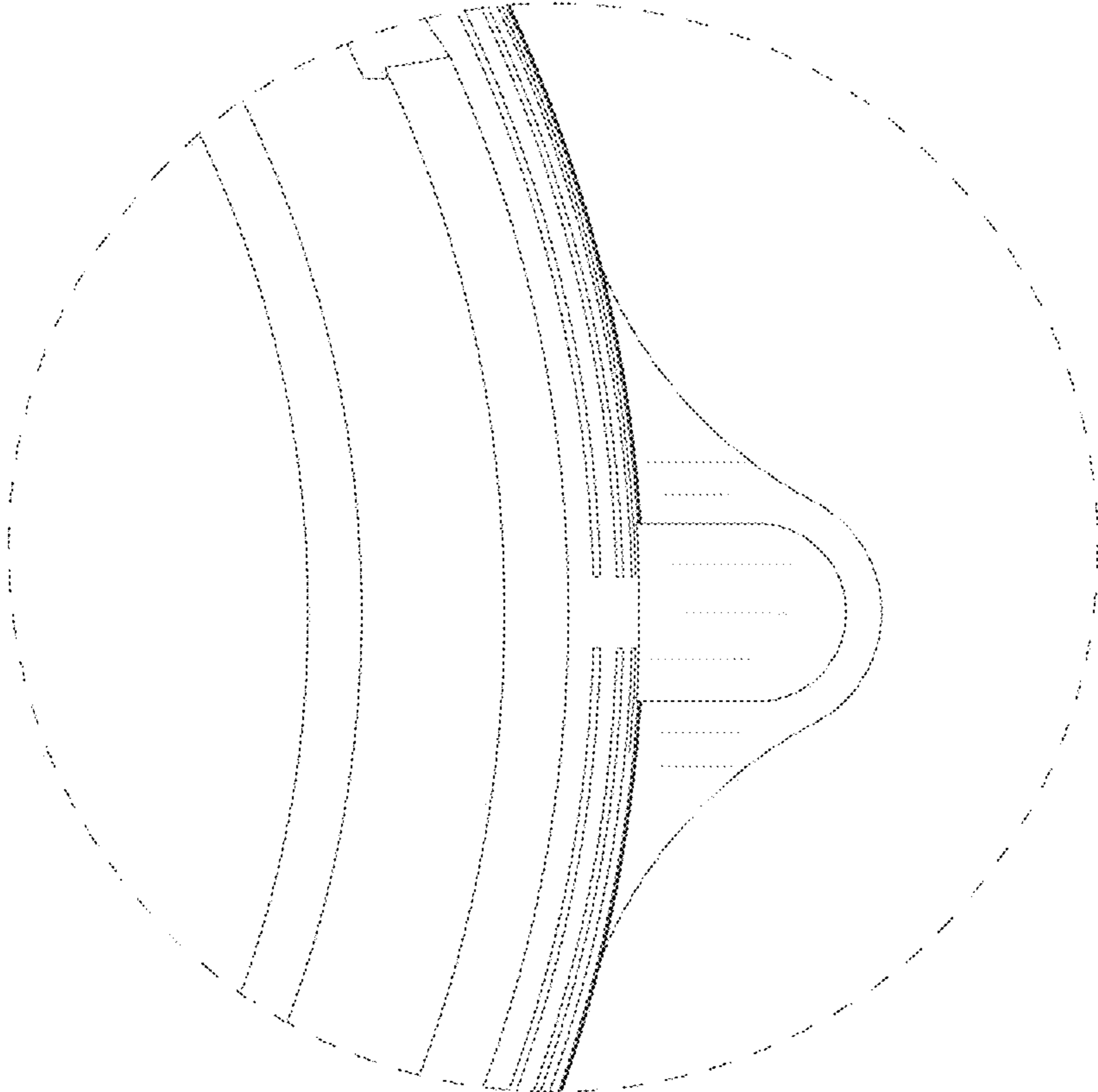


FIG. 9

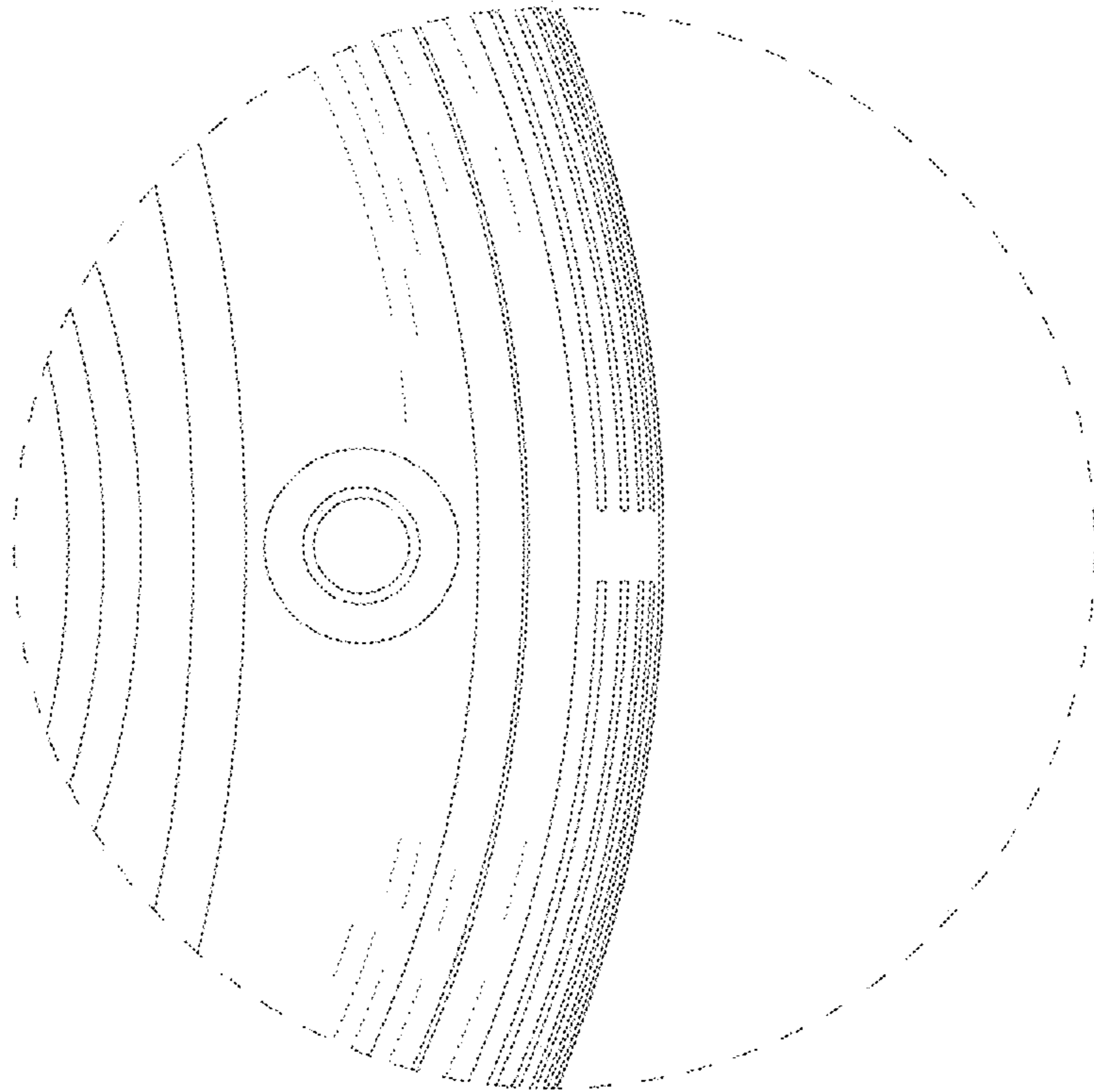


FIG. 10