



US00D982799S

(12) **United States Design Patent** (10) **Patent No.:** **US D982,799 S**
Huang (45) **Date of Patent:** **** Apr. 4, 2023**

(54) **TABLE LAMP**

(71) Applicant: **SHENZHEN JIALEXIN TECHNOLOGY CO., LTD.**, Shenzhen (CN)

(72) Inventor: **Jingwang Huang**, Shenzhen (CN)

(73) Assignee: **SHENZHEN JIALEXIN TECHNOLOGY CO., LTD.**, Shenzhen (CN)

(**) Term: **15 Years**

(21) Appl. No.: **29/789,365**

(22) Filed: **Sep. 18, 2021**

(51) **LOC (14) Cl.** **26-05**

(52) **U.S. Cl.**
USPC **D26/63**

(58) **Field of Classification Search**
USPC D26/63, 3, 13, 110, 102, 67, 106, 61, 62, D26/64, 65
CPC F21V 17/12; F21V 23/06; F21V 21/02; F21S 43/237
See application file for complete search history.

(56) **References Cited**

U.S. PATENT DOCUMENTS

D453,234 S	1/2002	Hsu	
D765,900 S *	9/2016	Oh	D26/63
D773,095 S *	11/2016	Rieben	D26/63
D866,845 S *	11/2019	Gruendl	D26/107
D901,064 S *	11/2020	Hodgson	D26/102
D921,950 S *	6/2021	Ye	D26/60
D925,098 S	7/2021	Luo	
D929,022 S *	8/2021	Tang	D26/102
D939,131 S *	12/2021	Gao	D26/106
D948,106 S *	4/2022	Yuan	D26/63
D953,591 S *	5/2022	Pang	D26/109
D956,945 S *	7/2022	Kaiser	D23/378
2019/0137055 A1 *	5/2019	Liu	F21V 21/14

OTHER PUBLICATIONS

Moloor, 2-in-1 LED Desk Lamp, dated Sep. 14, 2021, [online], [site visited Aug. 10, 2022]. Available from Internet, URL: <https://www.amazon.com/Brightestwith-Flexible-Stepless-Architect-Workbench/dp/B09KH5N411> (Year: 2021).*

(Continued)

Primary Examiner — Shawn T Gingrich
Assistant Examiner — Kathryn Elizabeth Chambers

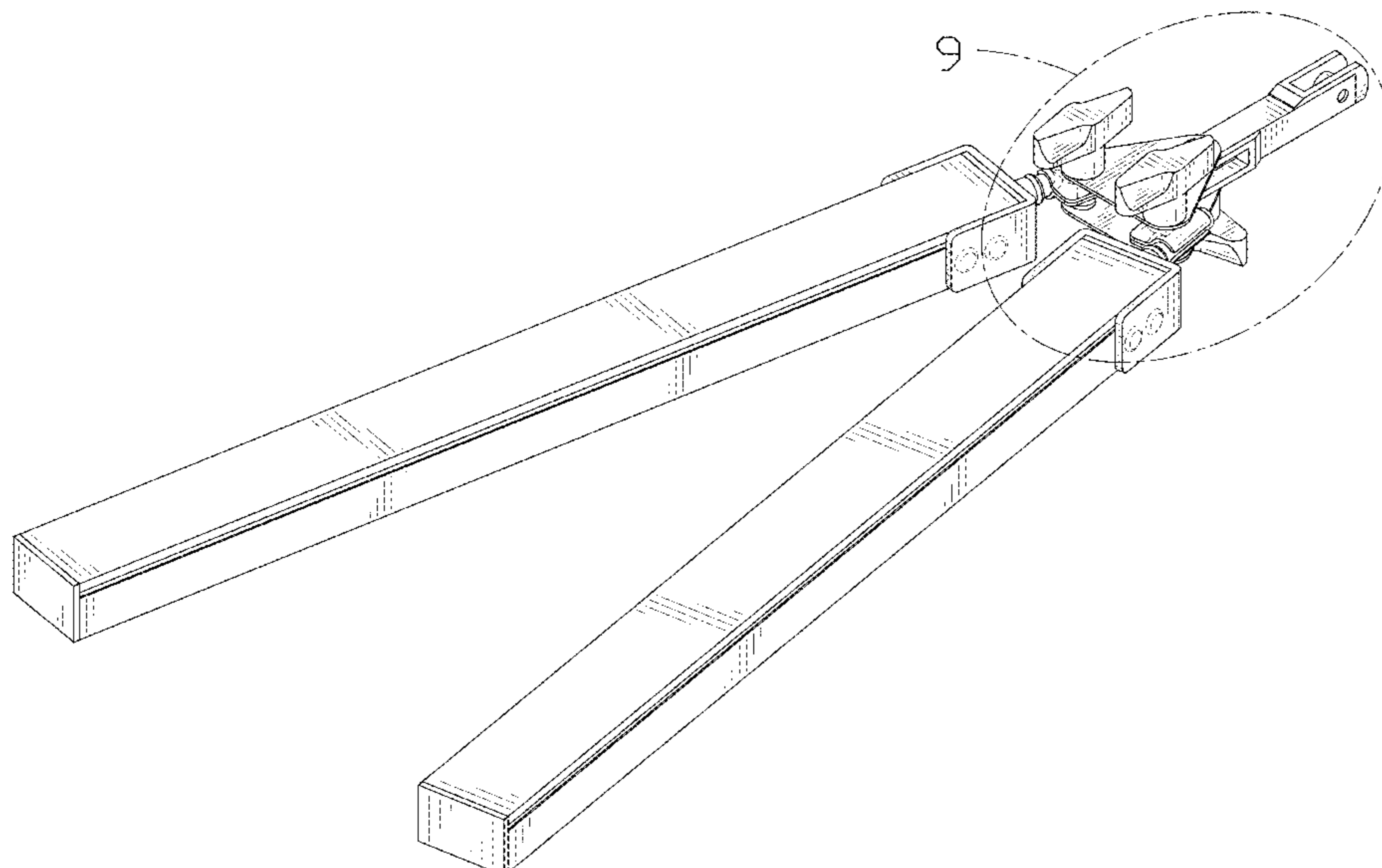
(57) **CLAIM**

The ornamental design for a table lamp, as shown and described.

DESCRIPTION

FIG. 1 is a perspective view of a table lamp showing my new design;
FIG. 2 is another perspective view thereof;
FIG. 3 is a front elevational view thereof;
FIG. 4 is a rear elevational view thereof;
FIG. 5 is a left side elevational view thereof;
FIG. 6 is a right side elevational view thereof;
FIG. 7 is a top plan view thereof;
FIG. 8 is a bottom plan view thereof;
FIG. 9 is an enlarged view of portion 9 shown in FIG. 1;
FIG. 10 is an enlarged view of portion 10 shown in FIG. 2;
and,
FIG. 11 is a perspective view of the table lamp where the table lamp is in a configuration of use.
The dash-dash broken lines immediately adjacent to the shaded areas depict the bounds of the claimed design, while all other dash-dash broken lines are directed to environment.
The dot-dash broken lines represent boundaries of the enlarged portions. The broken lines form no part of the claimed design.

1 Claim, 11 Drawing Sheets



(56)

References Cited

OTHER PUBLICATIONS

LED Desk Lamp, Noevsbig 24W Brightest Double Head Architect Desk Lamps for Home Office, dated Sep. 14, 2021, [online], [site visited Sep. 15, 2022]. Available from Internet, url: <https://www.amazon.com/NOEVSBIG-Brightest-Architect-Brightness-Workbench/dp/B09G6NZZTZ?th=1> (Year: 2021).*

* cited by examiner

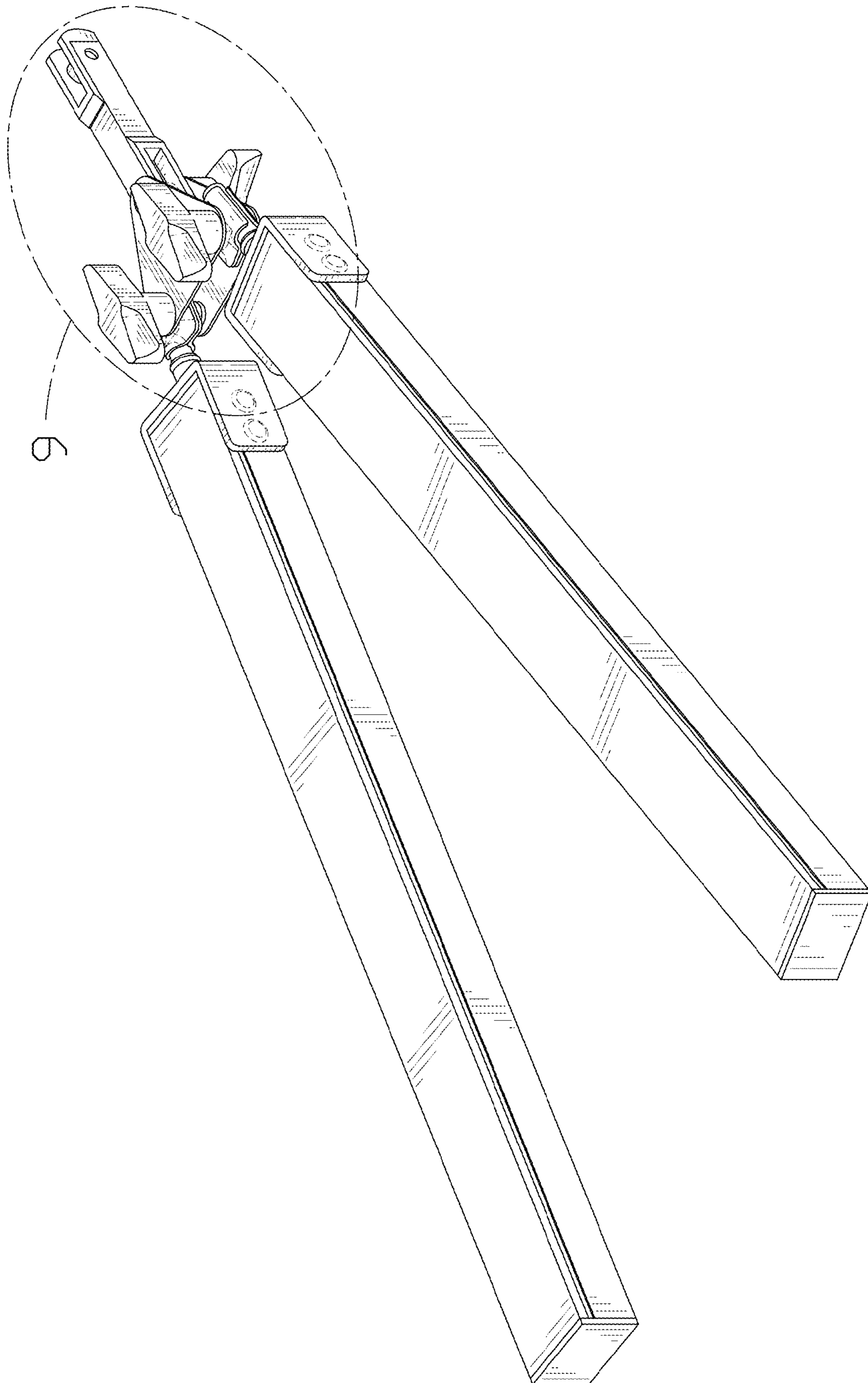


FIG. 1

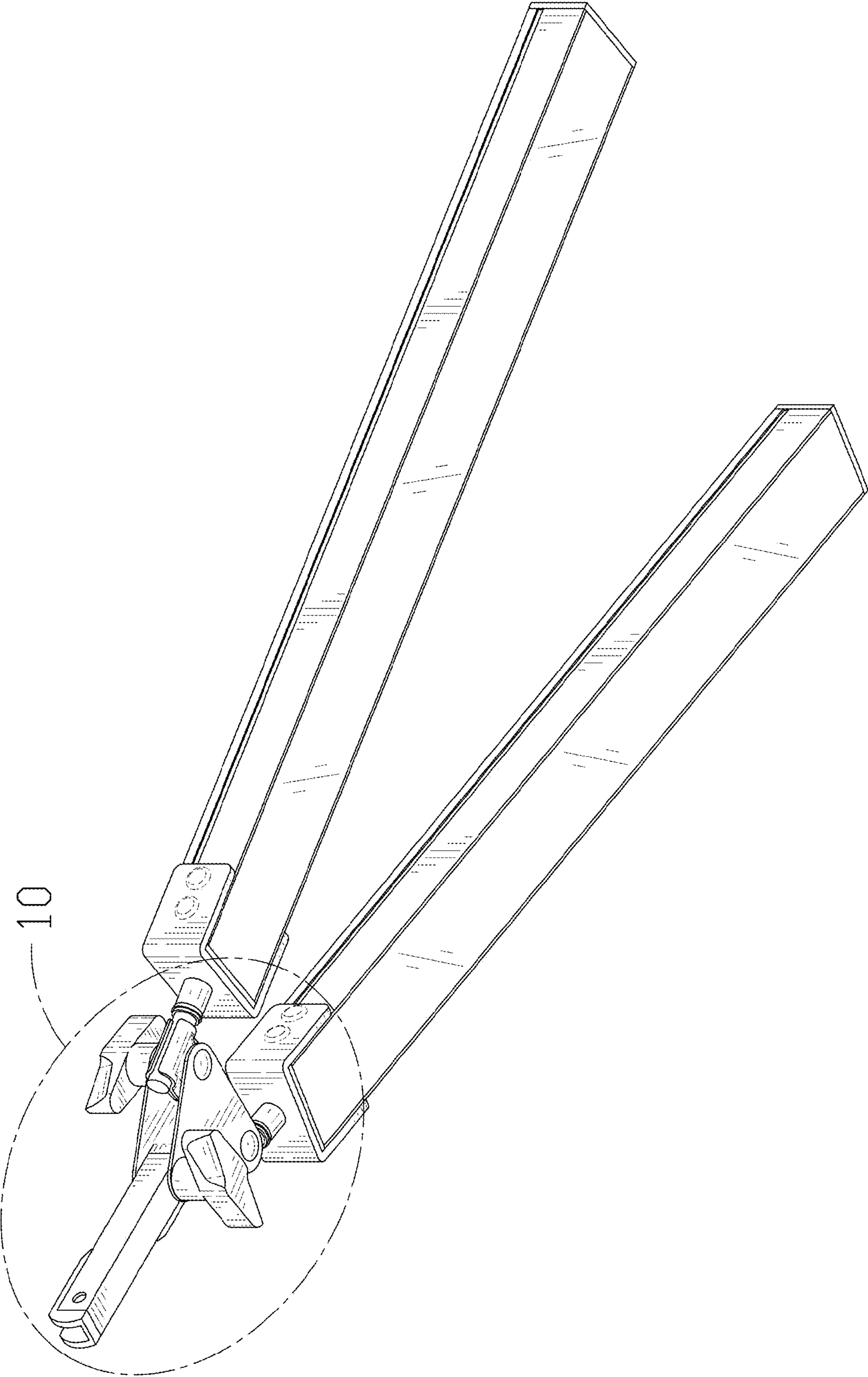


FIG. 2

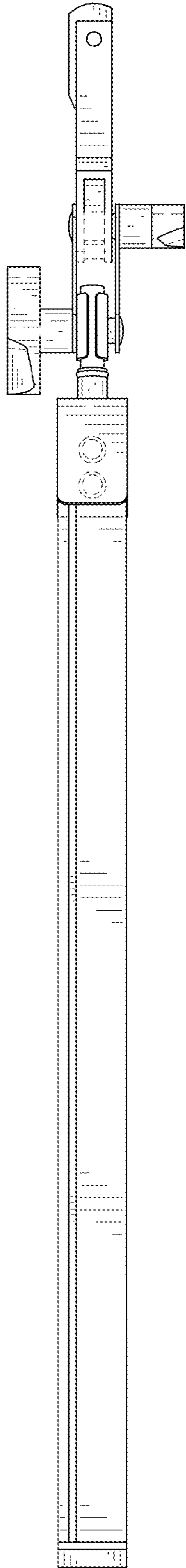


FIG. 3

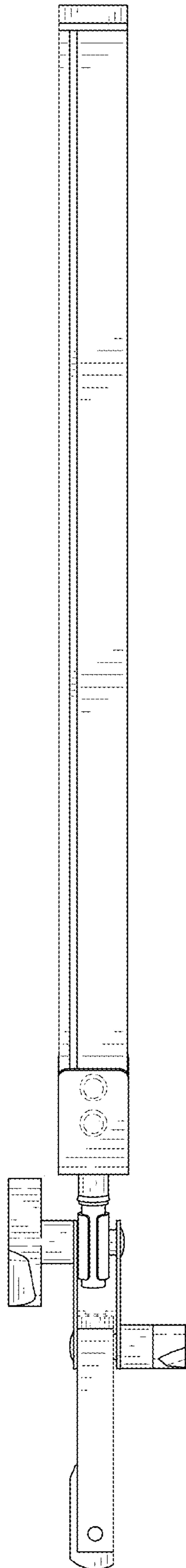


FIG. 4

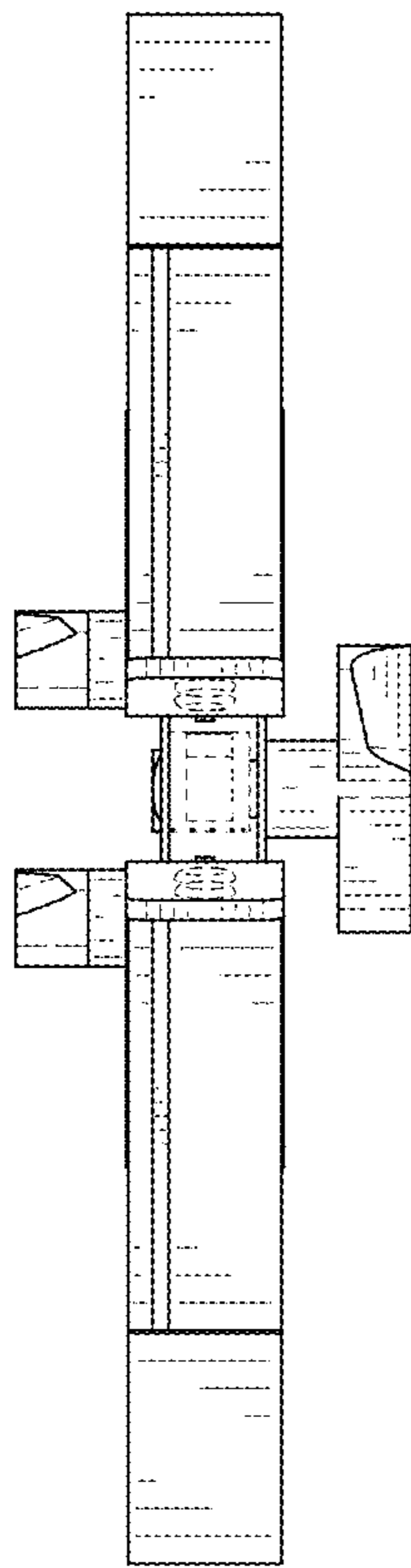


FIG. 5

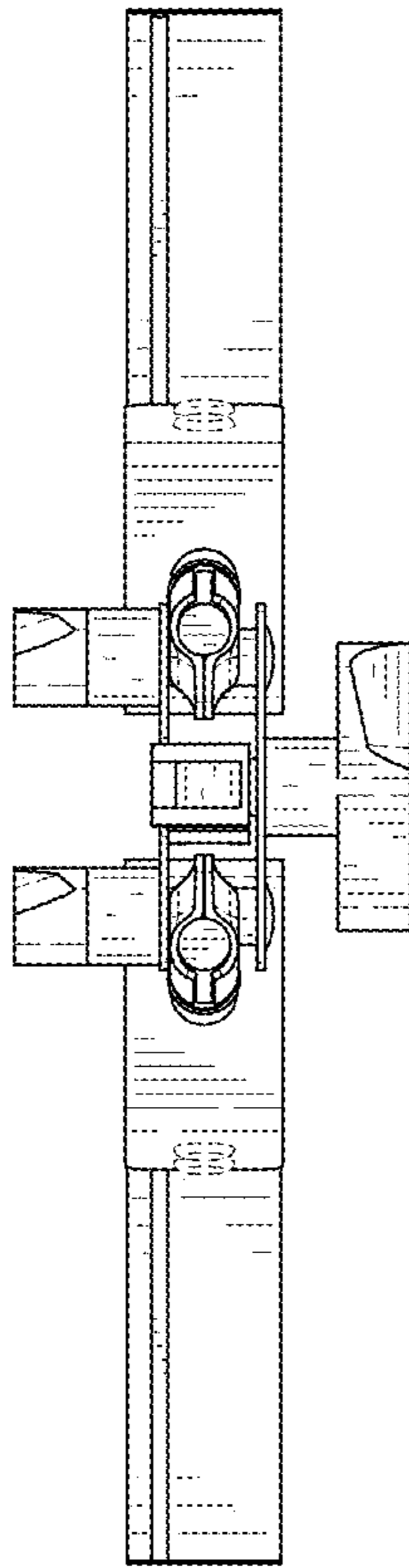


FIG. 6

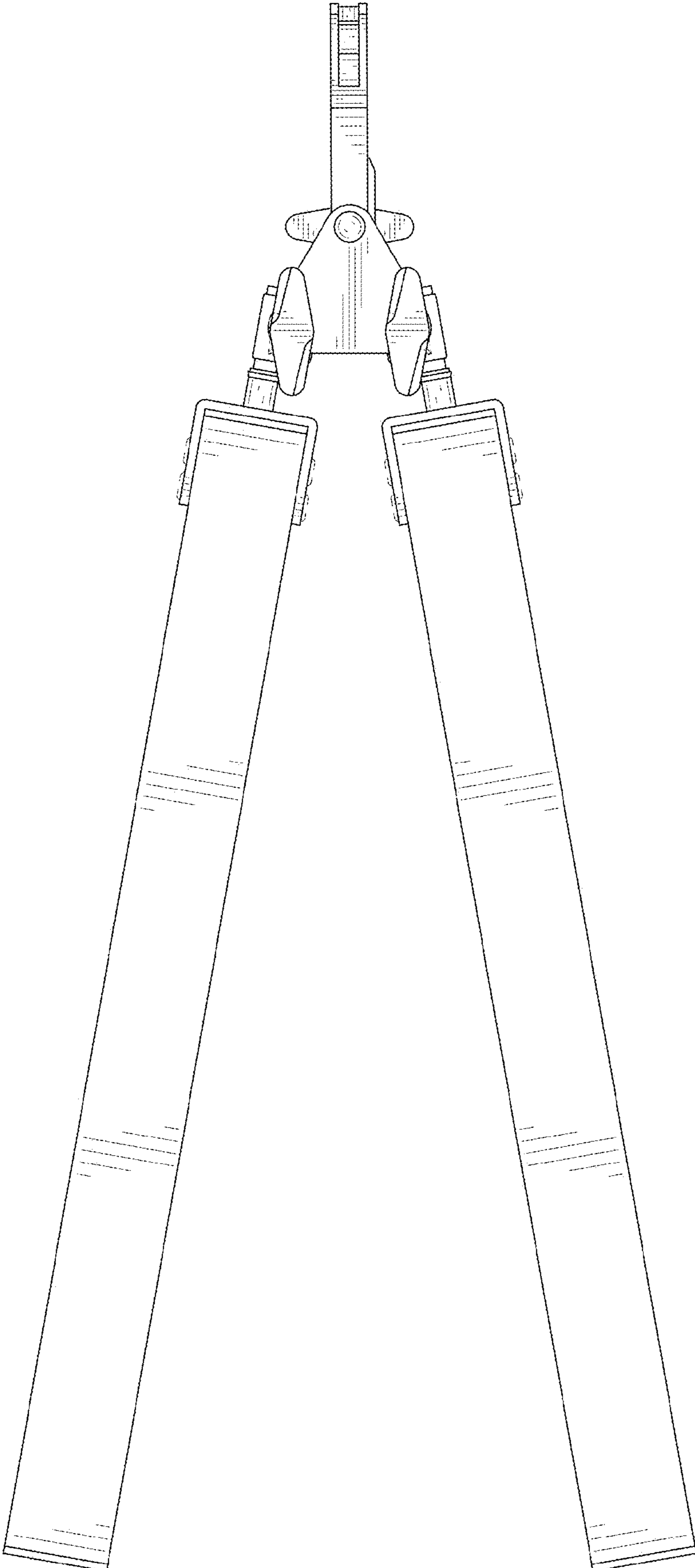


FIG. 7

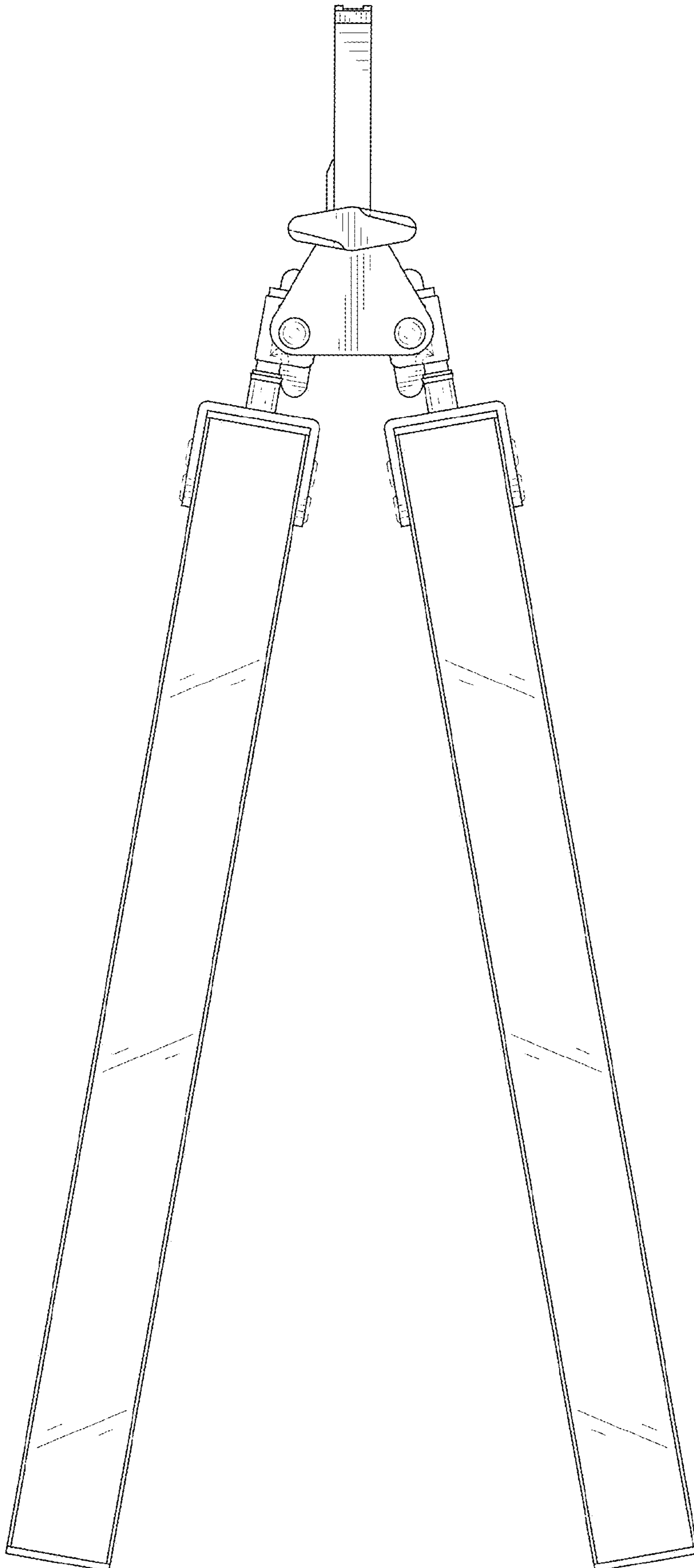


FIG. 8

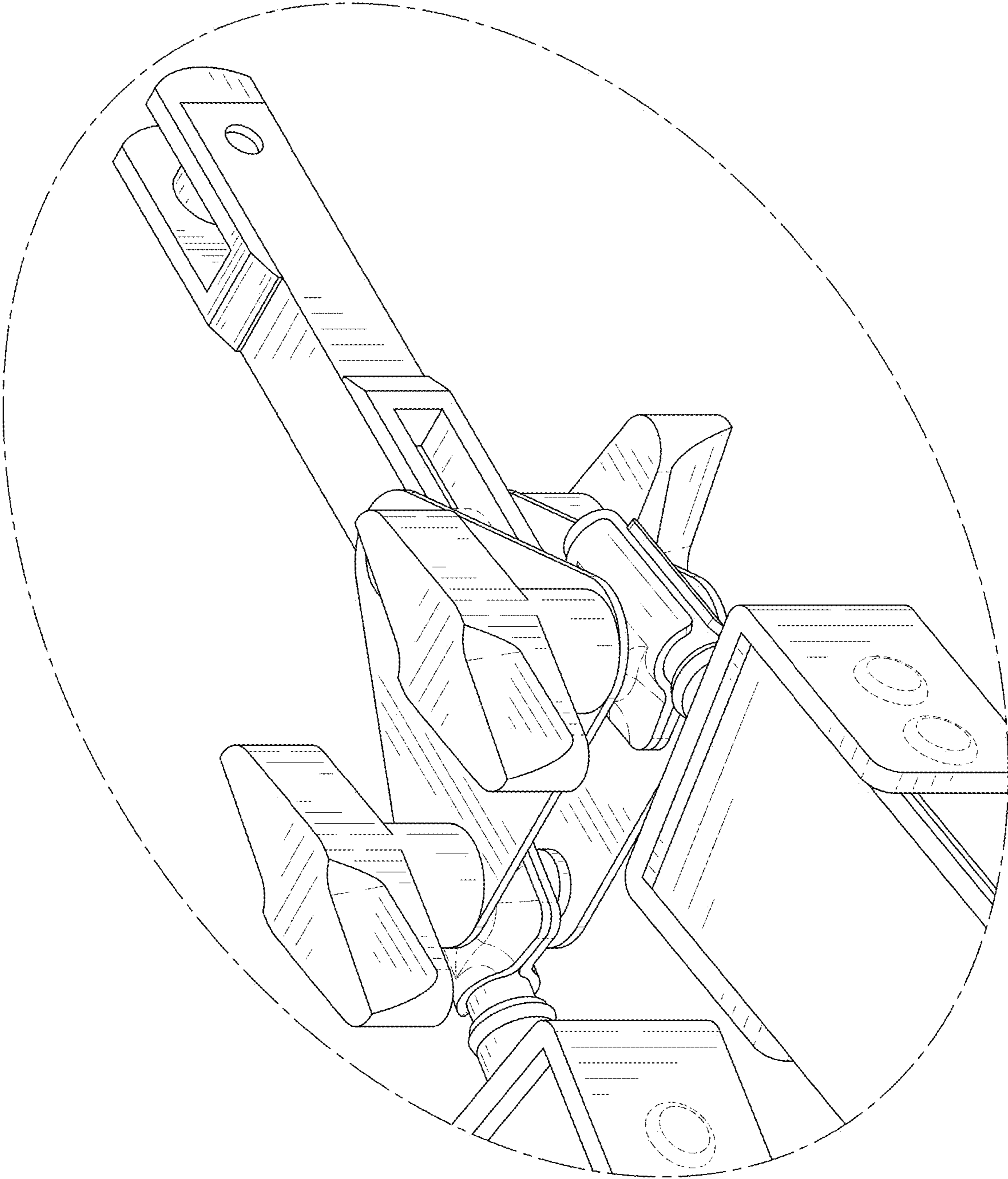


FIG. 9

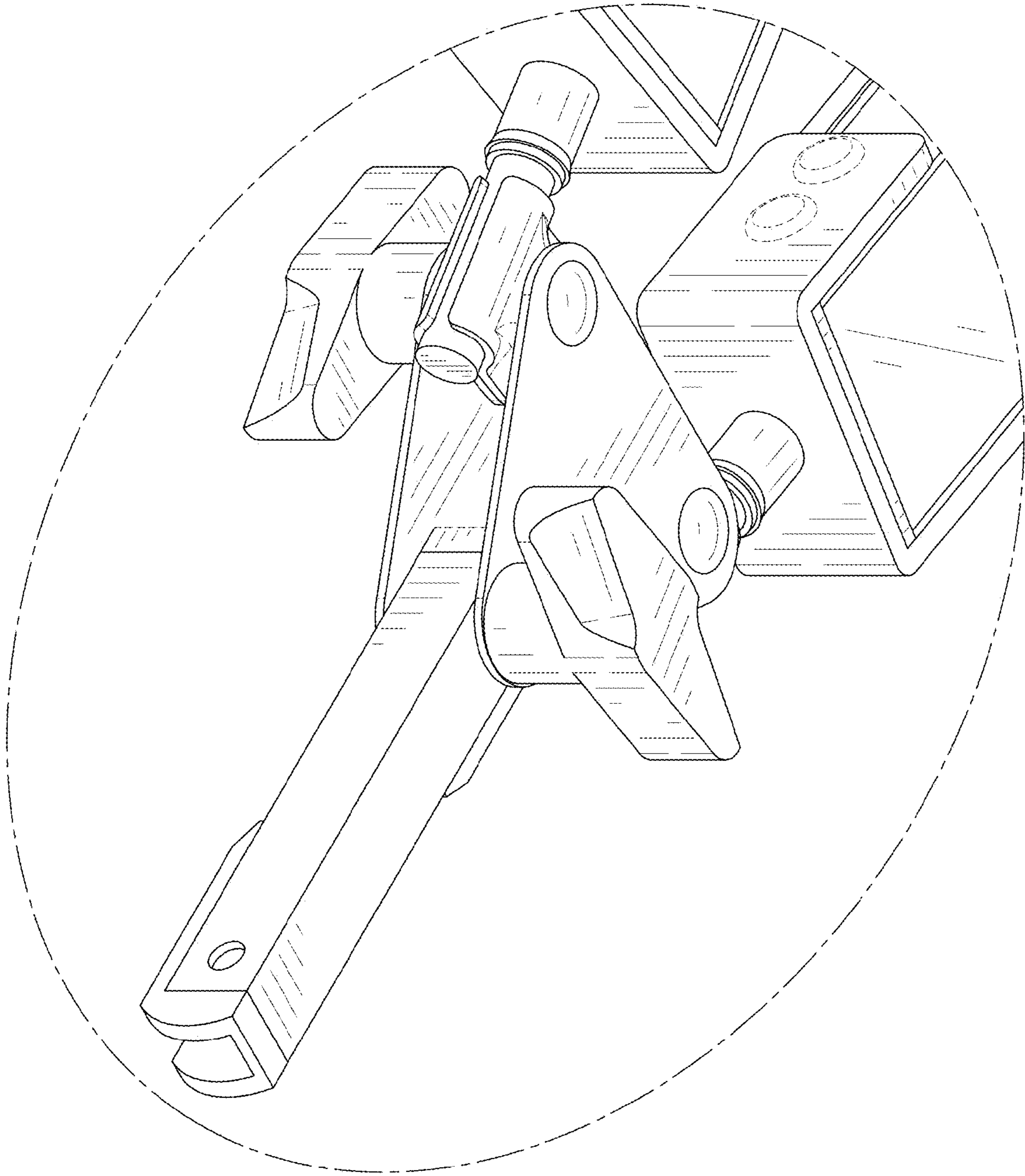


FIG. 10

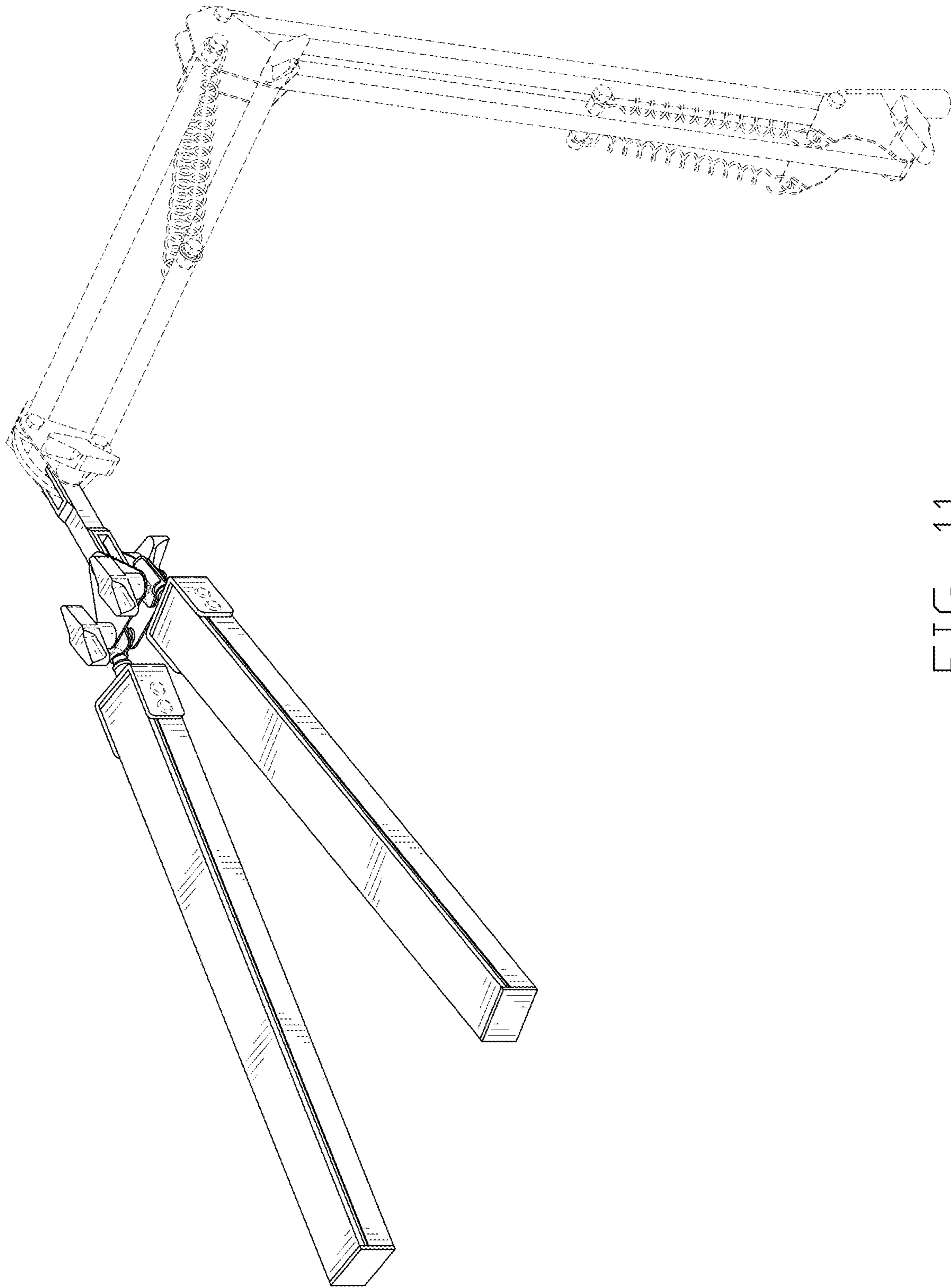


FIG. 11