



US00D982798S

(12) **United States Design Patent** (10) **Patent No.:** **US D982,798 S**
Zhong (45) **Date of Patent:** **** Apr. 4, 2023**

(54) **LASER LIGHT**

FOREIGN PATENT DOCUMENTS

(71) Applicant: **Huisheng Zhong**, Guangdong (CN)

CN 304954097 * 8/2018
CN 305487271 * 12/2019

(72) Inventor: **Huisheng Zhong**, Guangdong (CN)

(**) Term: **15 Years**

OTHER PUBLICATIONS

(21) Appl. No.: **29/759,952**

“Party Lights, Disco” reference by Amosamz on Amazon.com, date first available Jan. 10, 2020 [online], site visited Apr. 26, 2022, available from internet URL: <https://www.amazon.com/Activated-Projector-Christmas-Halloween-Decorations/dp/B083QLHY44> (Year: 2020).*

(22) Filed: **Nov. 26, 2020**

“Party Lights, RGB” reference by Chinly on Amazon.com, date first available Jun. 11, 2019 [online], site visited Apr. 26, 2022, available from internet URL: <https://www.amazon.com/CHINLY-Activated-Projector-Decorations-Background/dp/B07KQYY1TT> (Year: 2019).*

(30) **Foreign Application Priority Data**

May 28, 2020 (CN) 202030257407.9

(51) **LOC (14) Cl.** **26-05**

(52) **U.S. Cl.**
USPC **D26/63**

(58) **Field of Classification Search**
USPC ... D26/1, 24, 35, 44, 61, 63, 65, 66, 72, 80,
D26/60, 76, 81, 83, 84, 93
CPC F21S 8/00; F21S 8/003; F21S 8/033; F21S
9/03; F21S 9/037; F21V 23/0471; F21V
21/26; F21V 21/30; F21W 2131/10;
F21W 2131/107
See application file for complete search history.

(Continued)

Primary Examiner — Richard Kearney

Assistant Examiner — Liv C Anderson

(74) *Attorney, Agent, or Firm* — Sandy Lipkin

(57) **CLAIM**

The ornamental design for a laser light, as shown and described.

(56) **References Cited**

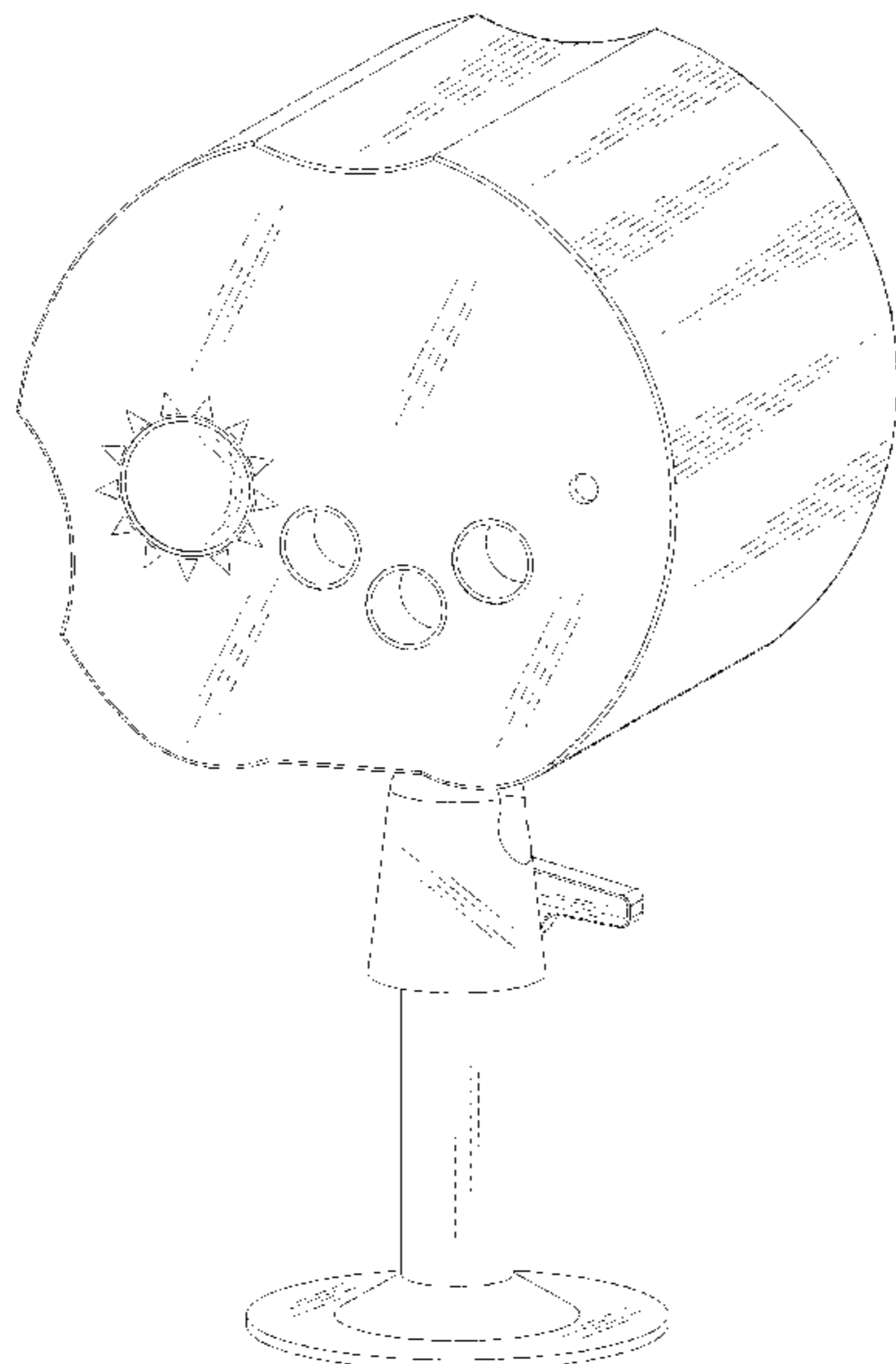
DESCRIPTION

U.S. PATENT DOCUMENTS

D278,556 S * 4/1985 Rubel D26/63
D505,146 S * 5/2005 Ou D16/202
D777,965 S * 1/2017 Mirchandani D26/63
D836,234 S * 12/2018 Yang D26/63
D853,007 S * 7/2019 Eustace D26/65
D855,231 S * 7/2019 Huang D26/63
D865,253 S * 10/2019 Yang D26/63
D871,652 S * 12/2019 Yang D25/63
D882,142 S * 4/2020 Huang D26/63
D909,659 S * 2/2021 Lin D16/221
D911,569 S * 2/2021 Lv D26/63
D930,213 S * 9/2021 Song D26/63
D930,877 S * 9/2021 Song D26/63

FIG. 1 is a front view of a laser light, showing my new design;
FIG. 2 is a top plan view thereof;
FIG. 3 is a bottom plan view thereof;
FIG. 4 is a rear plan view thereof;
FIG. 5 is a left plan view thereof;
FIG. 6 is a right plan view thereof; and,
FIG. 7 is a perspective view thereof;
The broken lines in the drawings depict portions of the laser light that form no part of the claimed design.

1 Claim, 7 Drawing Sheets



(56)

References Cited

OTHER PUBLICATIONS

“LedMall” reference by LedMall on Amazon.com, date first available Jan. 18, 2015 [online], site visited Apr. 26, 2022, available from internet URL: <https://www.amazon.com/LedMall%C2%AE-Motion-Snow-Fall-Decorative/dp/B07F41VT25/> (Year: 2015).*

* cited by examiner

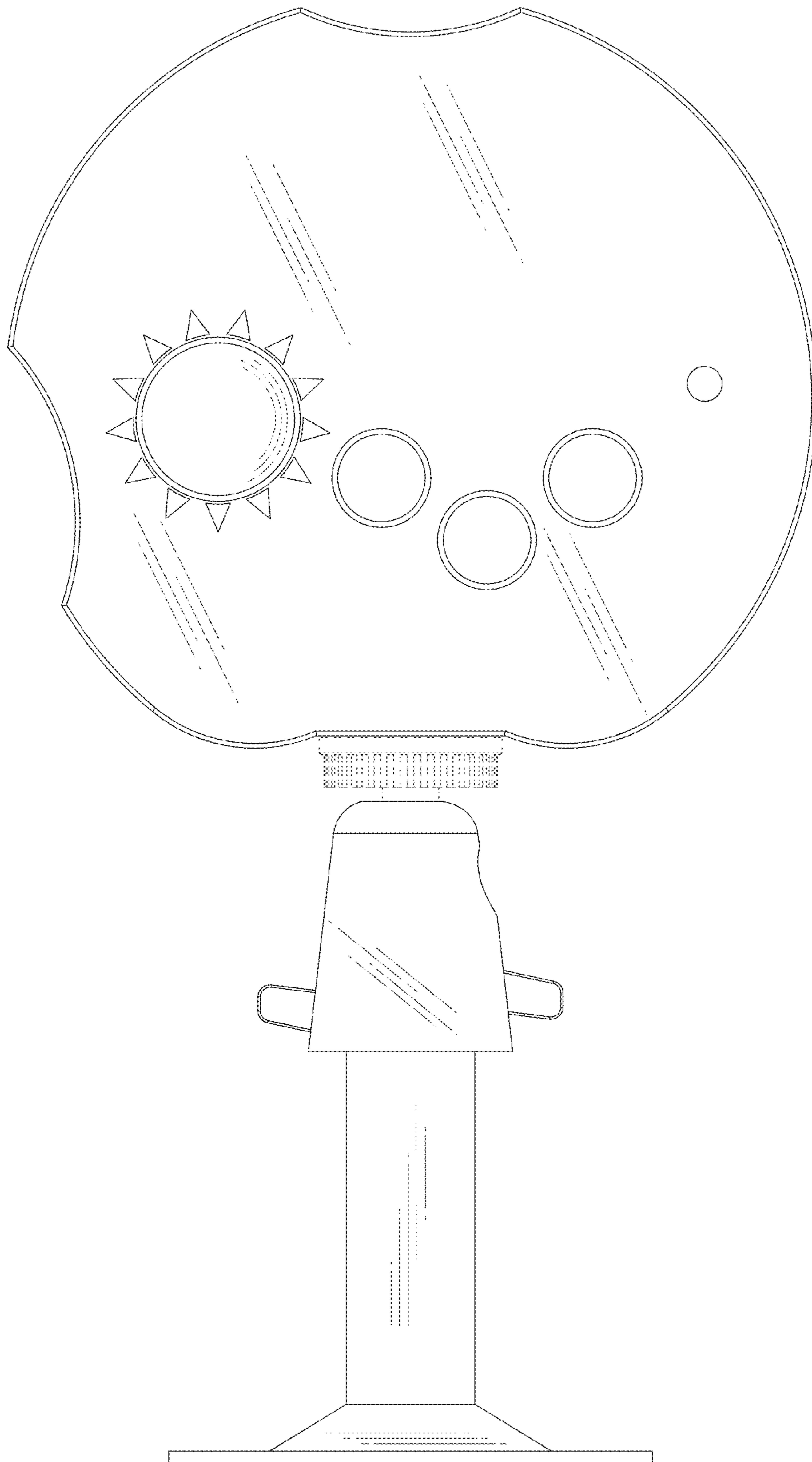


FIG. 1

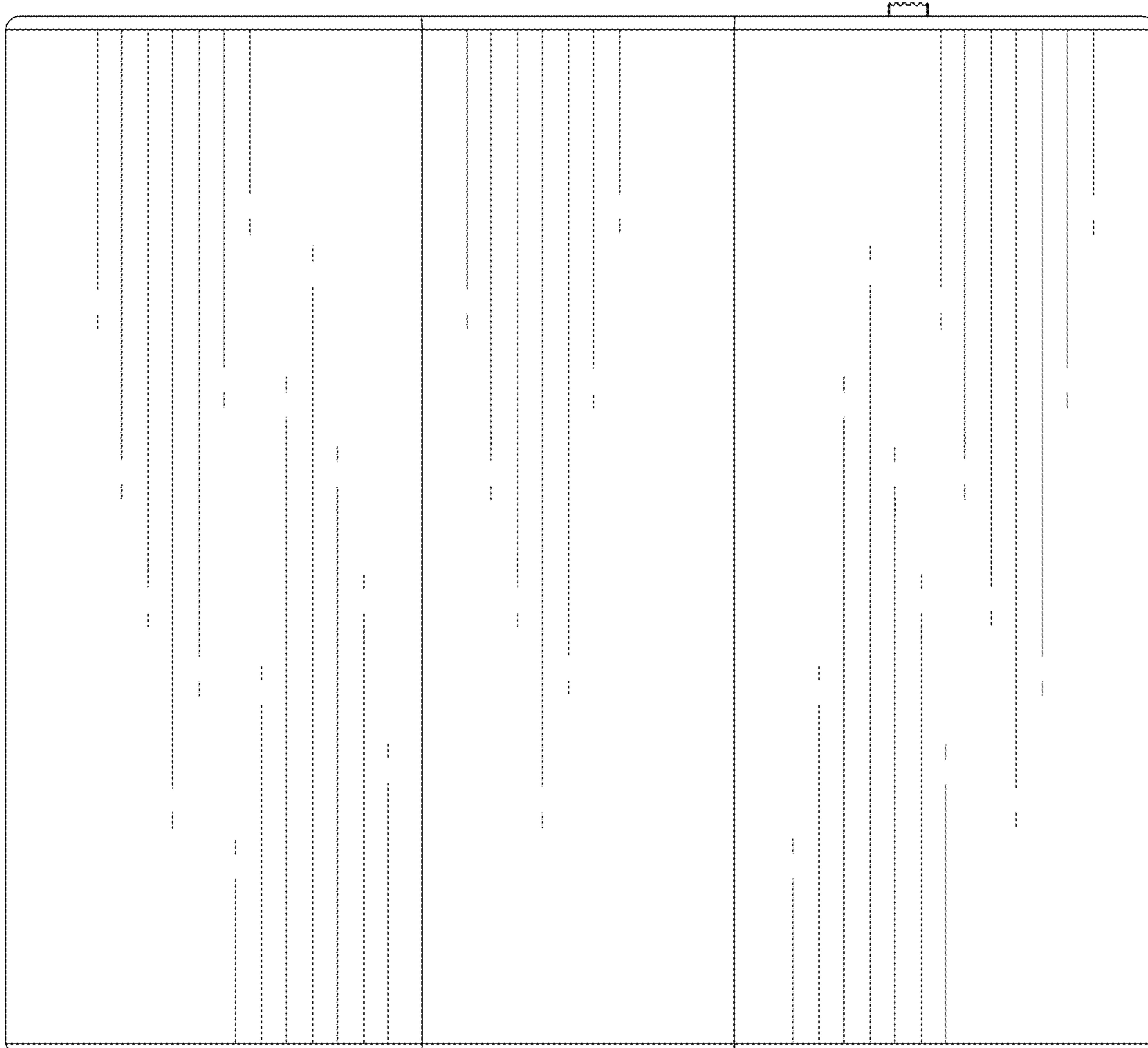


FIG. 2

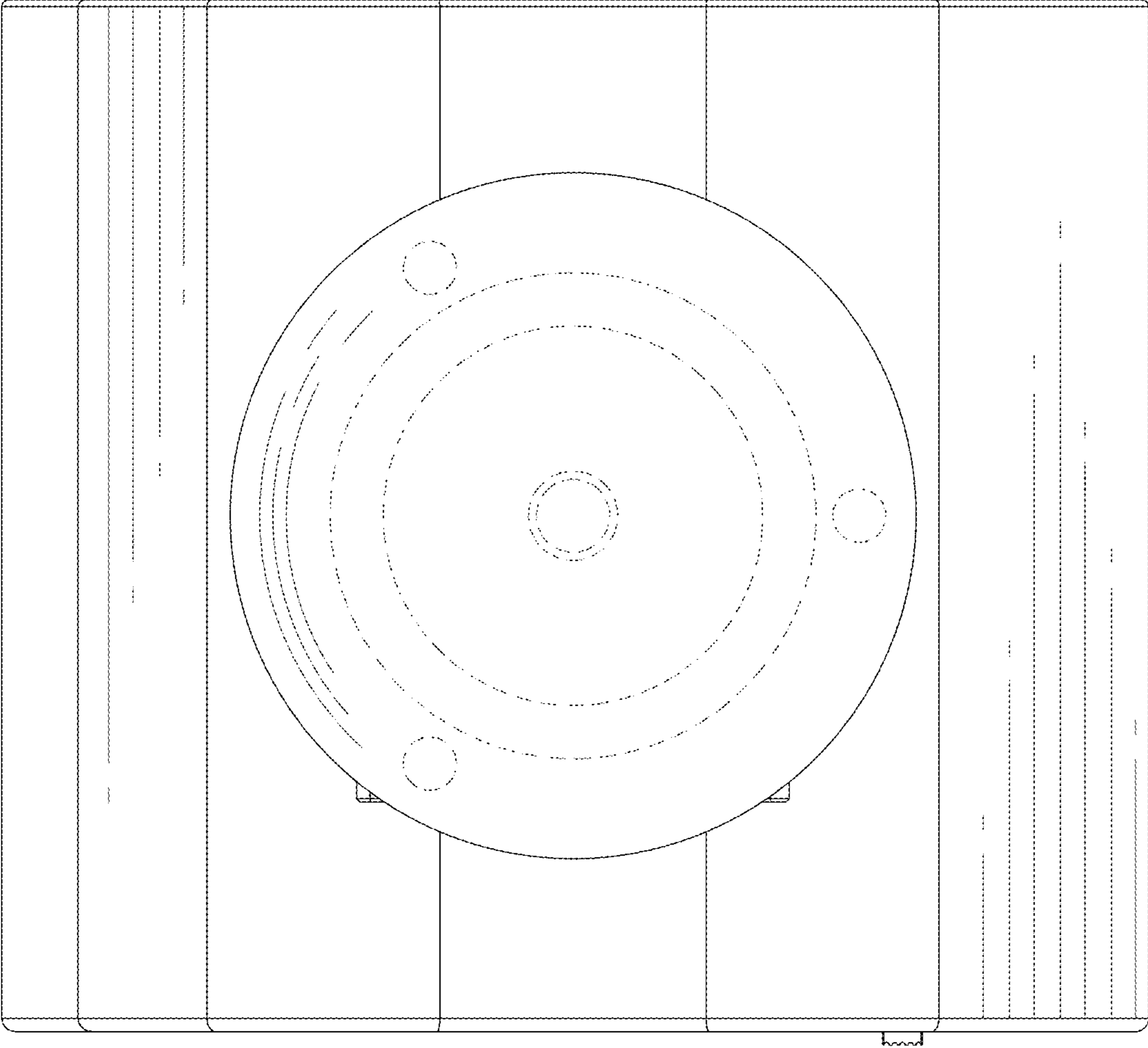


FIG. 3

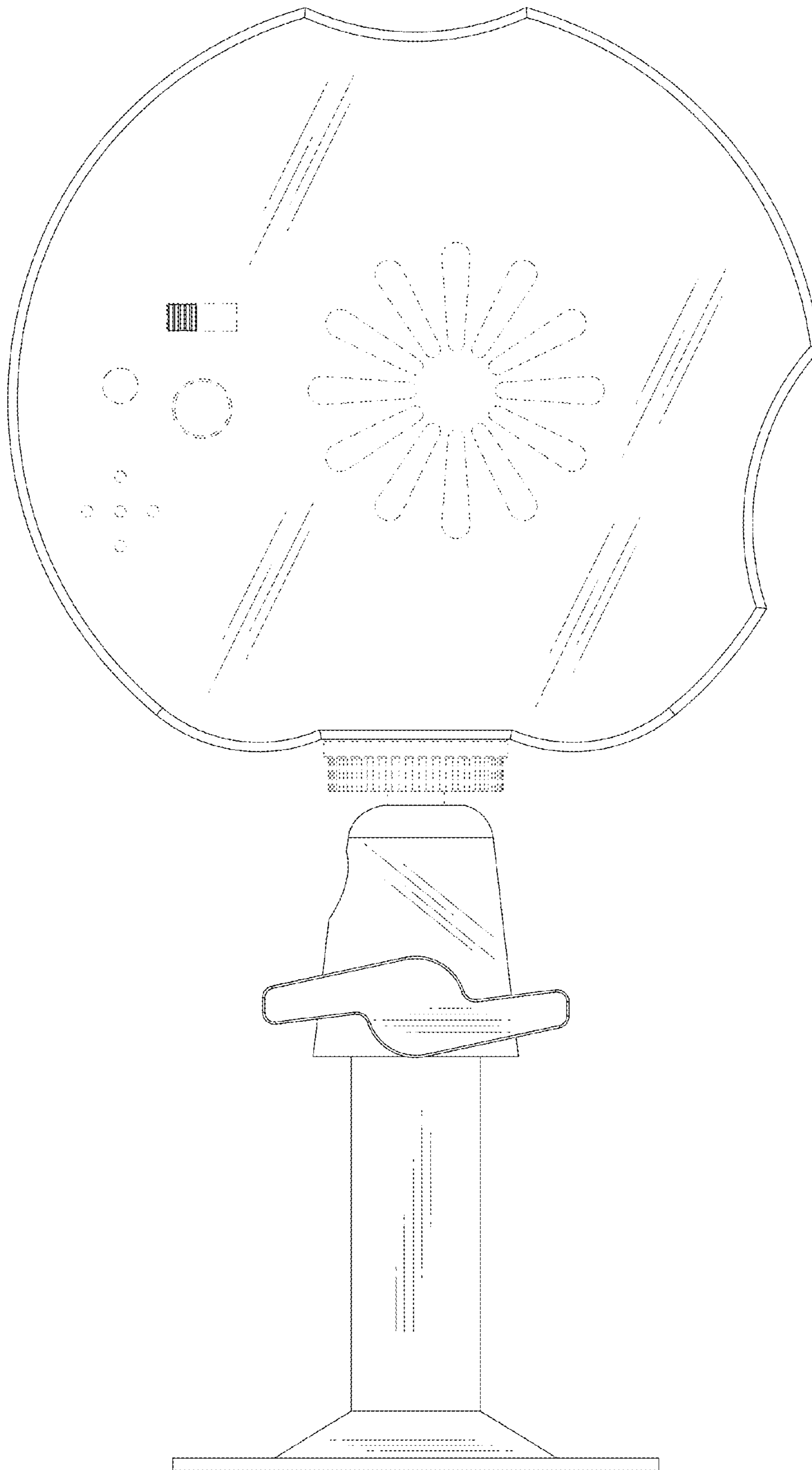


FIG. 4

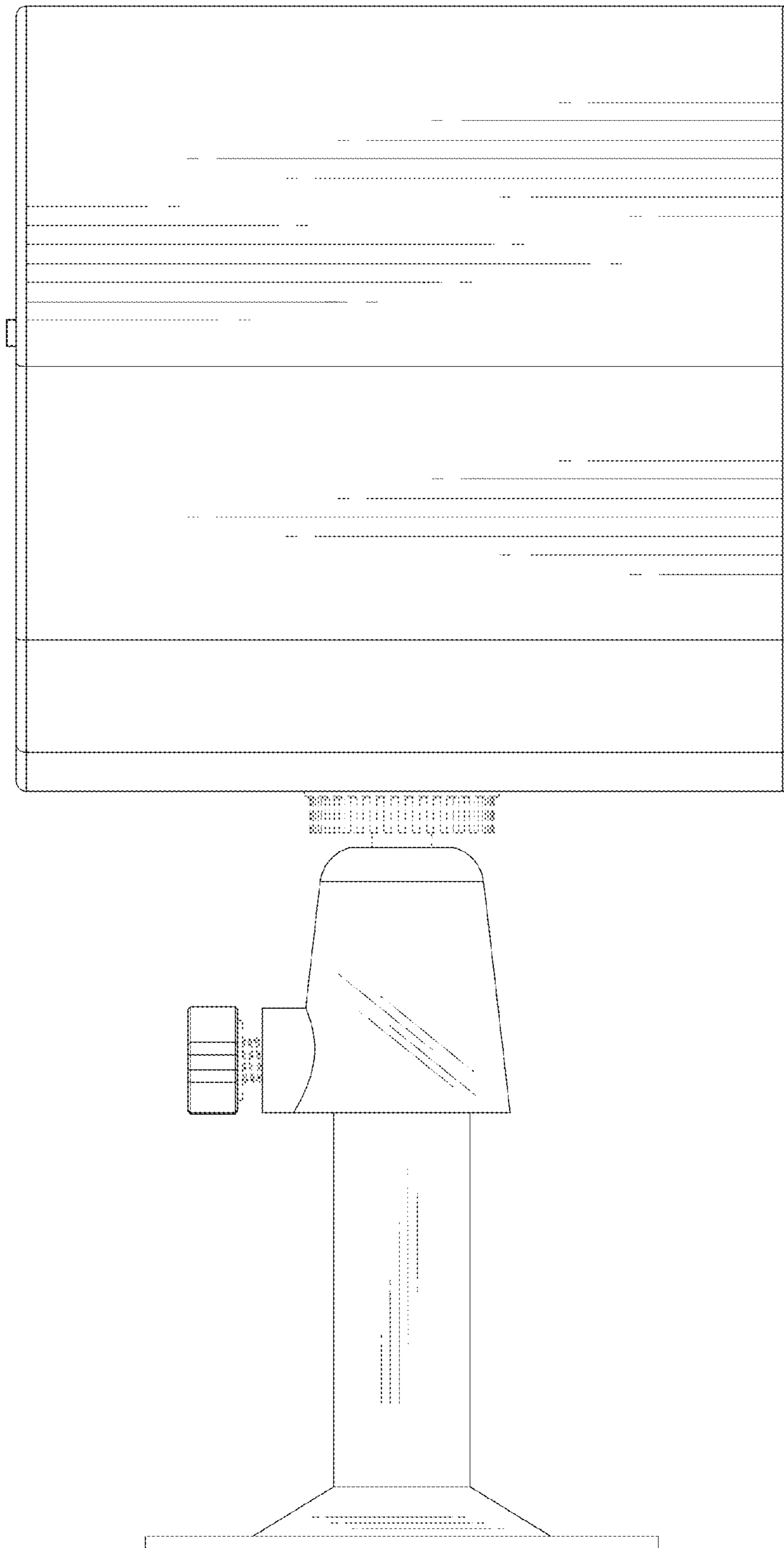


FIG. 5

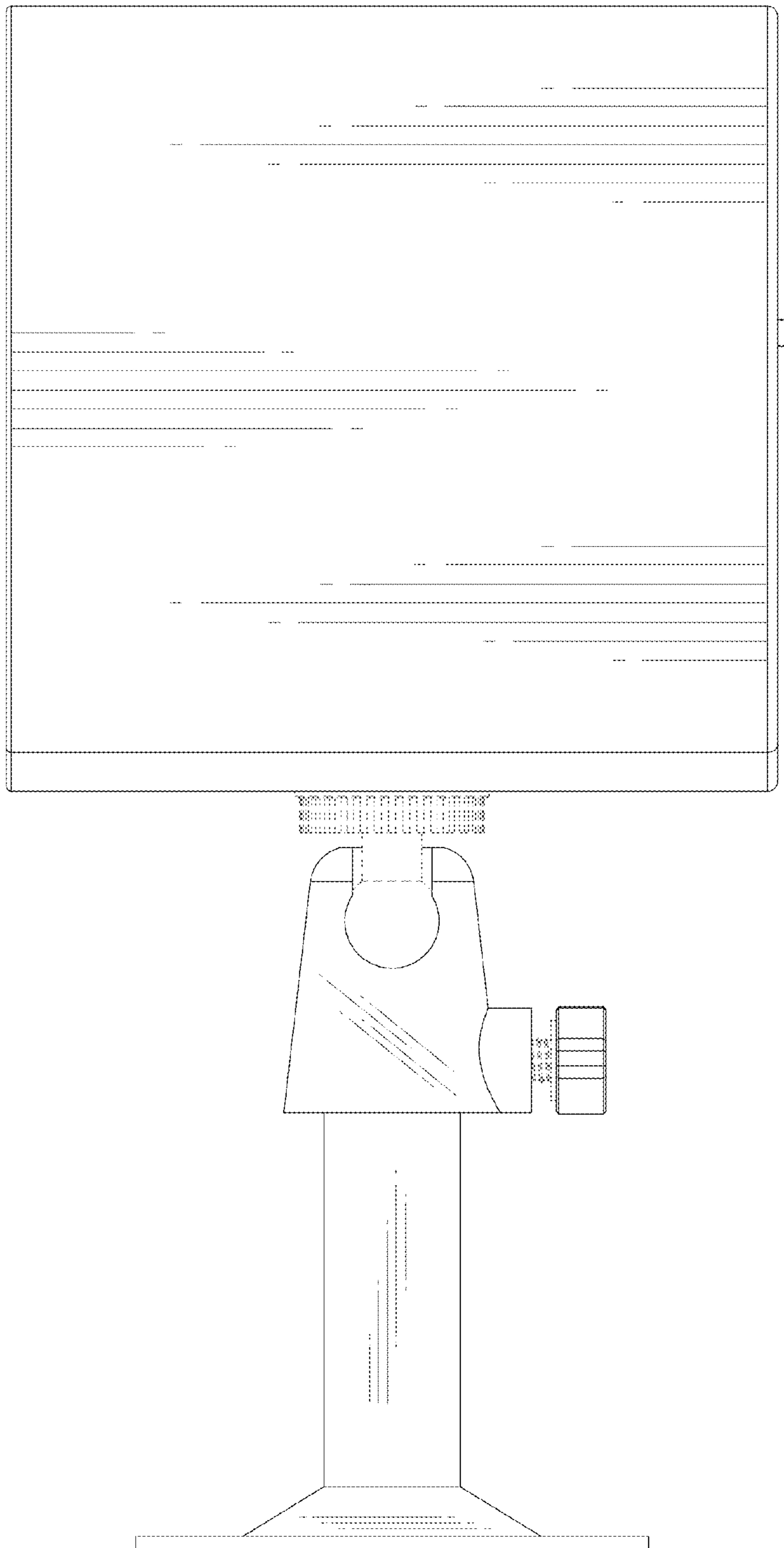


FIG. 6

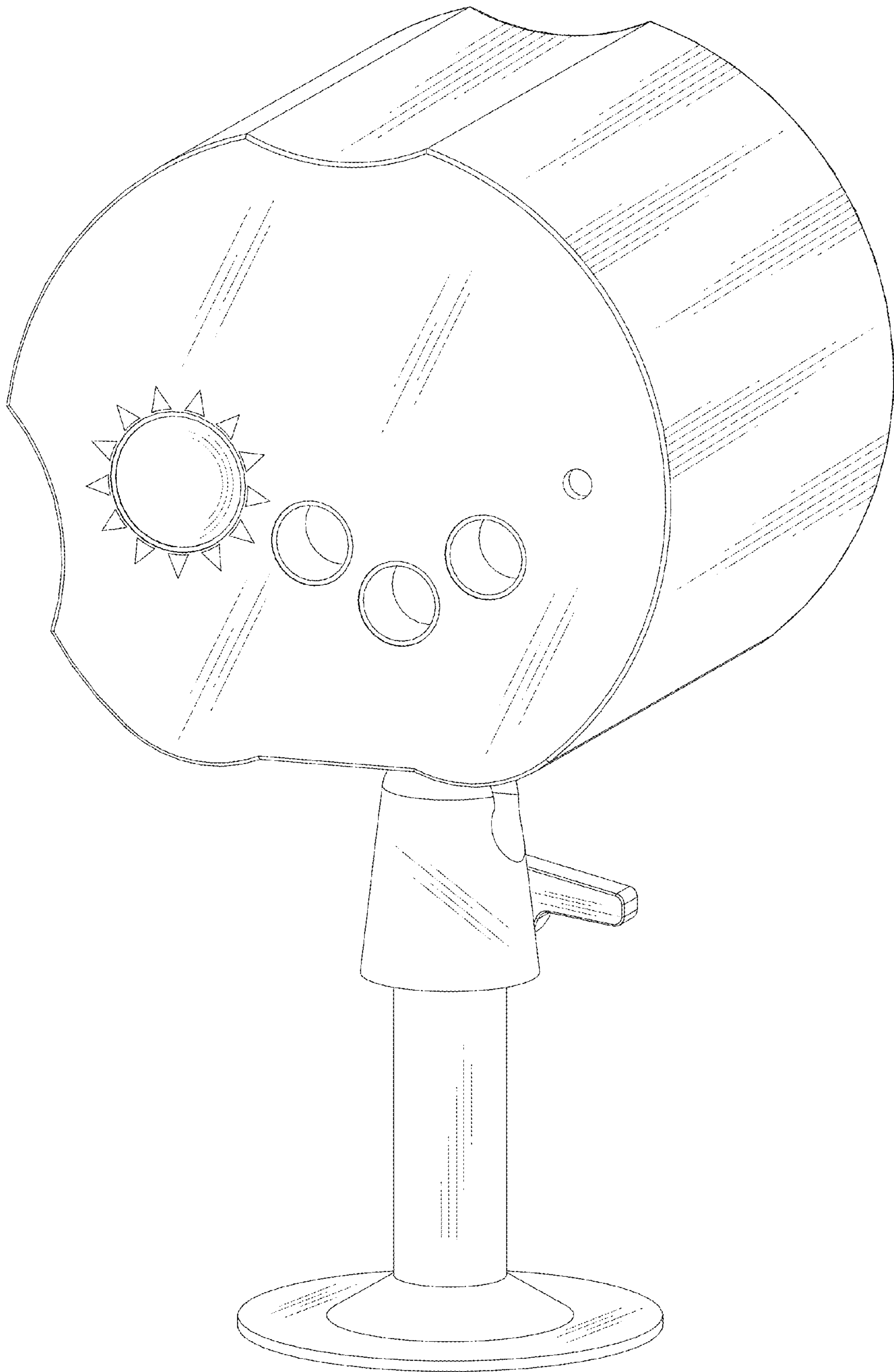


FIG. 7