



US00D982797S

(12) **United States Design Patent** (10) **Patent No.:** **US D982,797 S**  
**Wang** (45) **Date of Patent:** **\*\* Apr. 4, 2023**

(54) **LAMP**

FOREIGN PATENT DOCUMENTS

(71) Applicant: **Lei Wang**, Shenzhen (CN)

GB 6133248 \* 4/2021

(72) Inventor: **Lei Wang**, Shenzhen (CN)

OTHER PUBLICATIONS

(\*\*) Term: **15 Years**

“Lusweimi” reference by Jiarui-US on Amazon.com, date first available Mar. 27, 2021 [online], site visited Oct. 26, 2022, available from internet URL: <https://www.amazon.com/dp/B095YBTTG4> (Year: 2021).\*

(21) Appl. No.: **29/811,818**

“Video” reference by Whellen on Amazon.com, date first available Jul. 7, 2021 [online], site visited Oct. 26, 2022, available from internet URL: <https://www.amazon.com/Conference-Lighting-Camera-Computer-Rechargeable/dp/B098T7KR2V> (Year: 2021).\*

(22) Filed: **Oct. 17, 2021**

(51) **LOC (14) Cl.** ..... **26-05**

(52) **U.S. Cl.**  
USPC ..... **D26/60**

(58) **Field of Classification Search**

USPC ..... D26/24, 37, 43, 60–63, 64, 65, 93, 102  
CPC ..... F21K 9/00; F21K 9/20; F21L 4/00; F21L 4/005; F21L 4/06; F21S 9/00; F21S 9/02; F21V 21/042; F21V 21/08; F21V 21/088

See application file for complete search history.

(Continued)

*Primary Examiner* — Richard Kearney

*Assistant Examiner* — Liv C Anderson

(74) *Attorney, Agent, or Firm* — Daniel M. Cohn;  
Howard M. Cohn

(56) **References Cited**

(57) **CLAIM**

U.S. PATENT DOCUMENTS

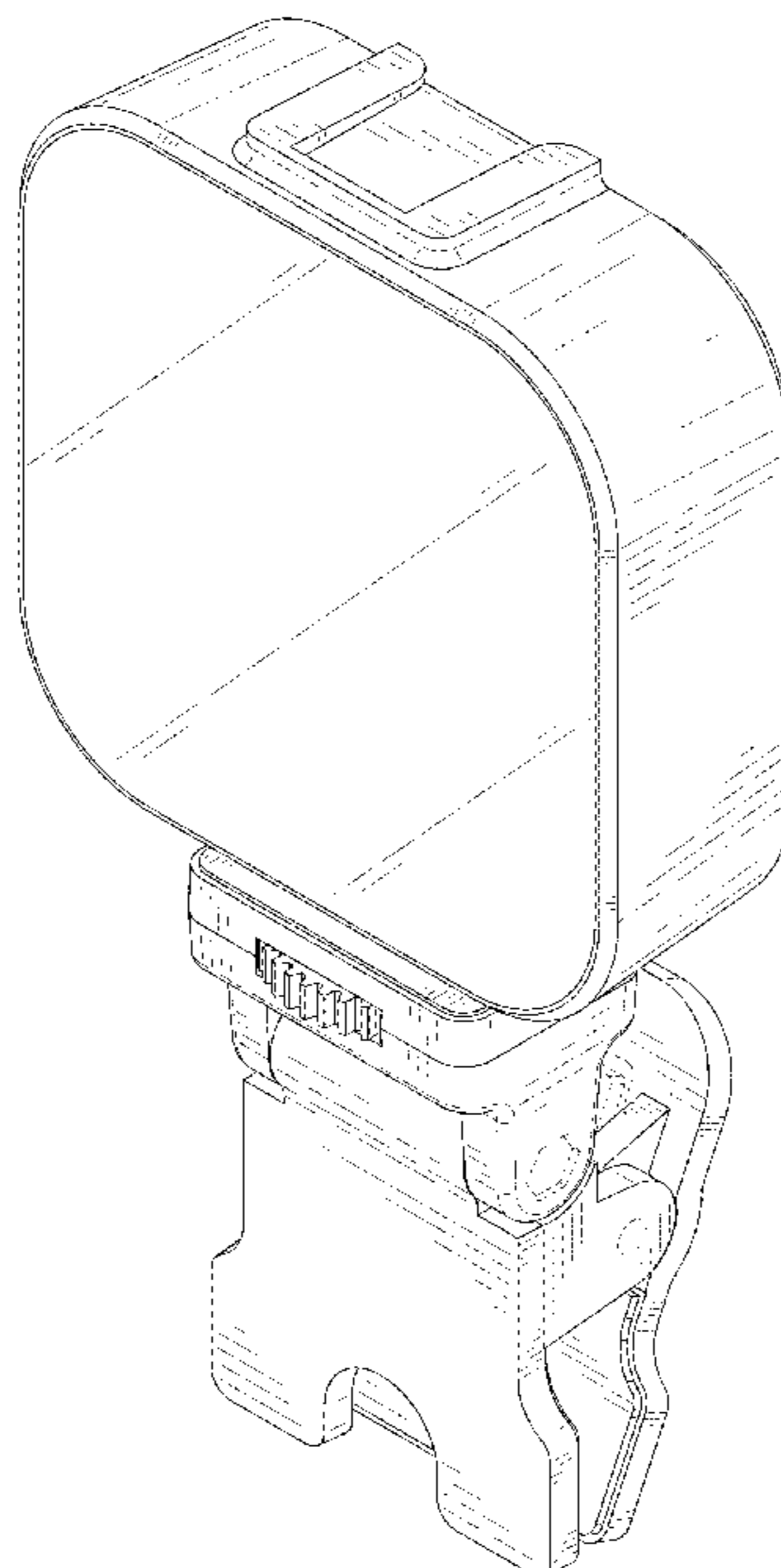
The ornamental design for a lamp, as shown and described.

D526,079 S *	8/2006	Heun	.....	D26/63
D776,319 S	1/2017	Sato		
D790,752 S	6/2017	Chow		
D872,348 S *	1/2020	Liu	.....	D26/106
D903,185 S *	11/2020	Li	.....	D26/106
D909,646 S *	2/2021	Saboo	.....	D26/60
D929,007 S *	8/2021	Ke	.....	D26/60
D932,080 S *	9/2021	Wang	.....	D16/250
D932,081 S *	9/2021	Wang	.....	D16/250
D936,884 S *	11/2021	Lin	.....	D26/60
D945,669 S *	3/2022	Hao	.....	D26/60
D956,306 S *	6/2022	Wang	.....	D26/63
D956,307 S *	6/2022	Wang	.....	D26/63
D961,829 S *	8/2022	Chen	.....	D26/60
D964,620 S *	9/2022	Bire	.....	D26/63
D967,239 S *	10/2022	Luo	.....	D16/239
D971,468 S *	11/2022	Zhu	.....	D26/39

**DESCRIPTION**

FIG. 1 is a perspective view of of a lamp showing my new design;  
FIG. 2 is another perspective view thereof;  
FIG. 3 is a front elevational view thereof;  
FIG. 4 is a rear elevational view thereof;  
FIG. 5 is a left side elevational view thereof;  
FIG. 6 is a right side elevational view thereof;  
FIG. 7 is a top plan view thereof; and,  
FIG. 8 is a bottom plan view thereof.  
The broken lines in the drawings depict portions of the lamp that form no part of the claimed design.

**1 Claim, 8 Drawing Sheets**



(56)

**References Cited**

## OTHER PUBLICATIONS

“Xinbaohong” reference by Xinbaohong on Amazon.com, date first available Nov. 11, 2021 [online], site visited Oct. 26, 2022, available from internet URL: <https://www.amazon.com/XINBAOHONG-Conference-Lighting-Broadcasting-Streaming/dp/B09LM1C3VT> (Year: 2021).\*

“Ksunun” reference by Ksunun-US on Amazon.com, date first available Nov. 24, 2021 [online], site visited Oct. 26, 2022, available from internet URL: <https://www.amazon.com/Ksunun-Conference-Conferencing-Broadcasting-Streaming/dp/B09LYNNFWG> (Year: 2021).\*

“Lume” reference by Lume Cube LLC on Amazon.com, date first available Sep. 9, 2021 [online], site visited Oct. 26, 2022, available from internet URL: <https://www.amazon.com/Conference-Accessory-Adjustable-Brightness-Temperature/dp/B09FVTMDWN> (Year: 2021).\*

“Weilisi” reference by Amke US on Amazon.com, date first available Aug. 9, 2021 [online], site visited Oct. 26, 2022, available from

internet URL: <https://www.amazon.com/Weilisi-Conference-Lighting-Conferencing-Stepless/dp/B09C5XKW64> (Year: 2021).\*

“Aulynp” reference by dyechen’s on Amazon.com, date first available Mar. 9, 2021 [online], site visited Oct. 26, 2022, available from internet URL: <https://www.amazon.com/Aulynp-Conference-Education-Broadcasting-Streaming/dp/B08YDDNFNF> (Year: 2021).\*

“Neewer” reference by XuanXiuUS on Amazon.com, date first available Sep. 24, 2019 [online], site visited Jan. 4, 2023, available from internet URL: <https://www.amazon.com/Neewer-Conference-Smartphone-Dimmable-2000mAh/dp/B08VGJ1TK9> (Year: 2019).\*

“Video” reference by Aixpi-US on Amazon.com, date first available Dec. 9, 2020 [online], site visited Jan. 4, 2023, available from internet URL: <https://www.amazon.com/Conference-Photography-Streaming-Broadcasting-Rechargeable/dp/B08Q42M8ZS> (Year: 2020).\*

“King” reference by Kingma Technology on Amazon.com, date first available Jun. 30, 2021 [online], site visited Jan. 4, 2023, available from internet URL: <https://www.amazon.com/Conferencing-Lighting-Photography-Streaming-Broadcasting/dp/B0989VPX9F> (Year: 2021).\*

\* cited by examiner

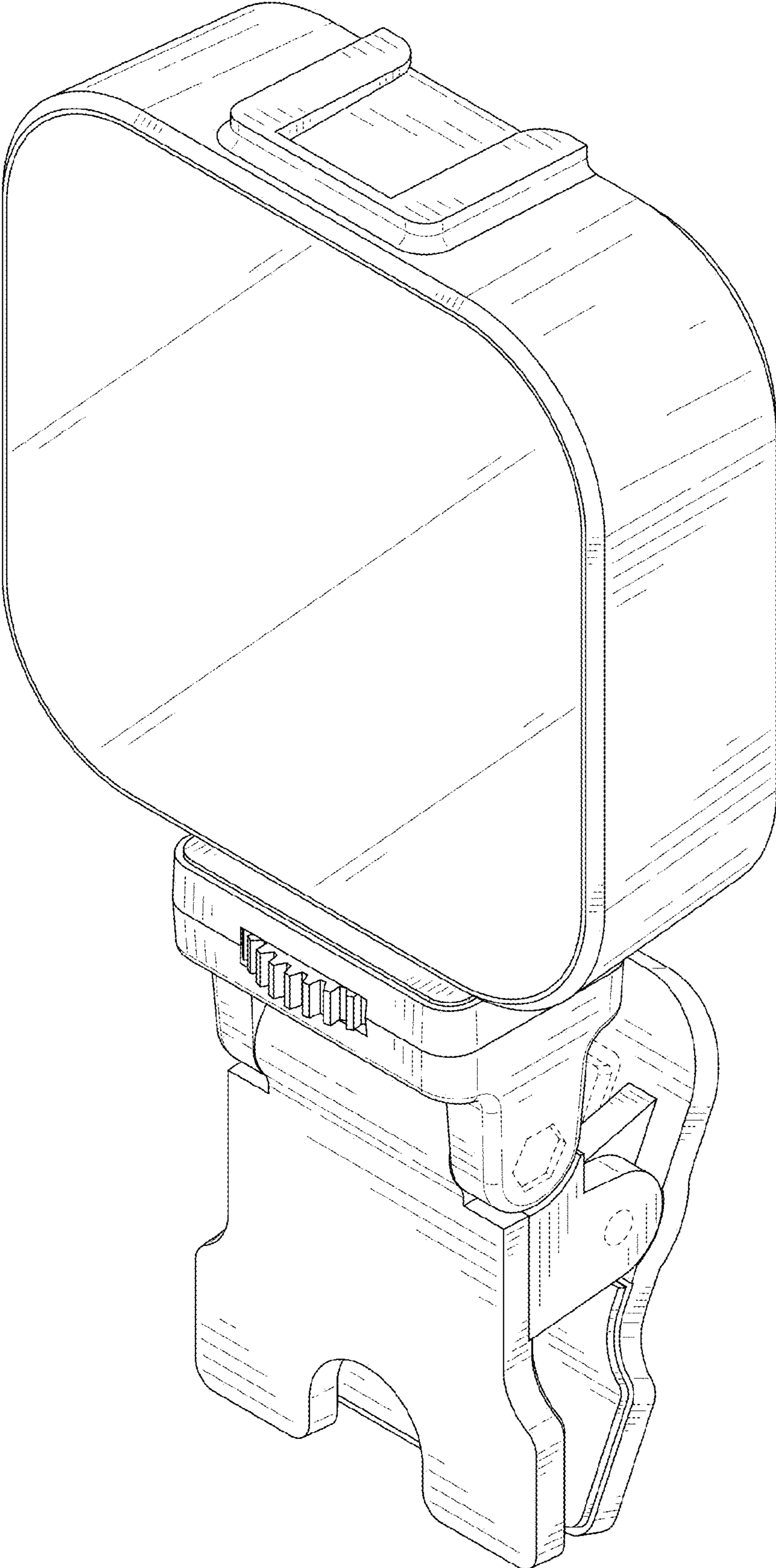


FIG. 1



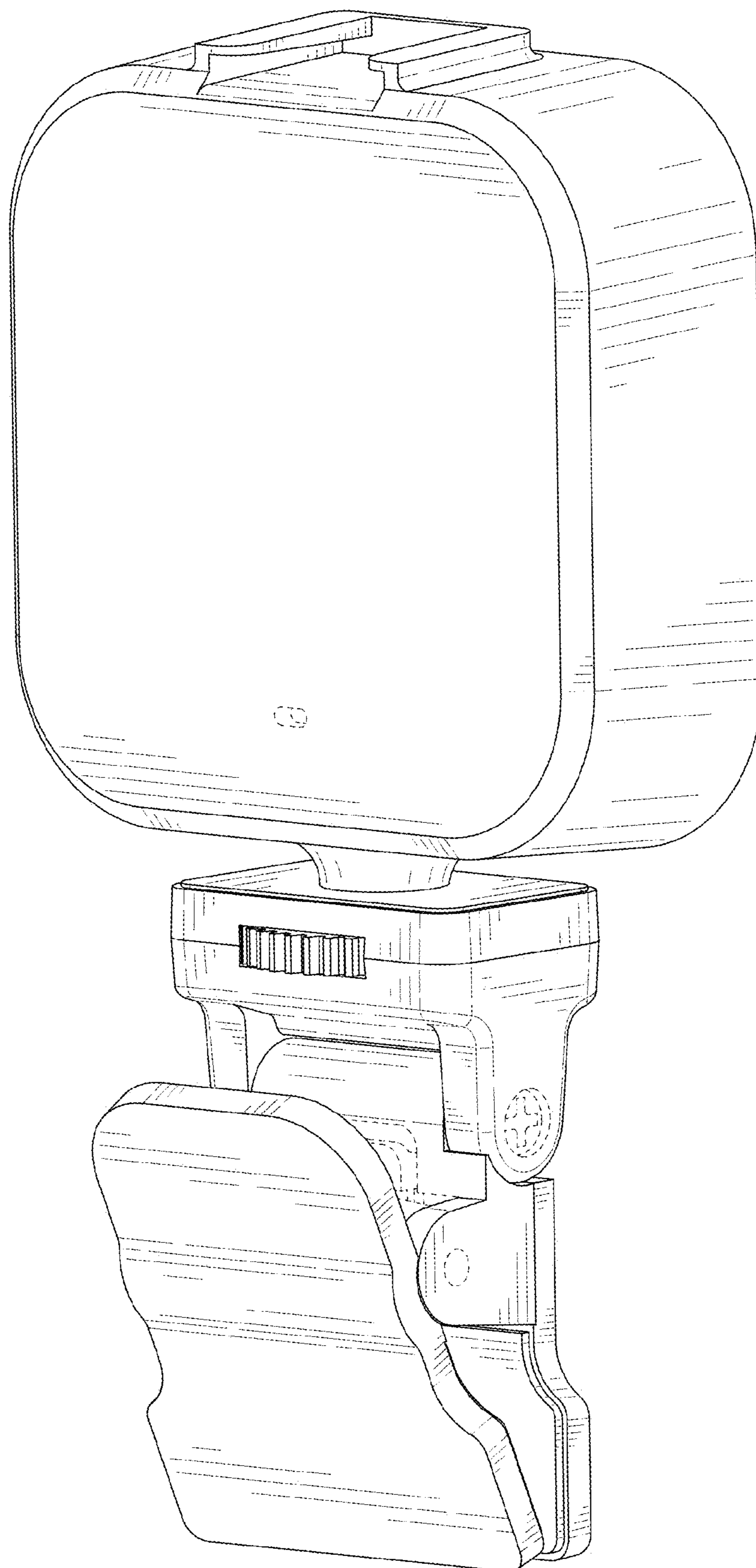


FIG. 2

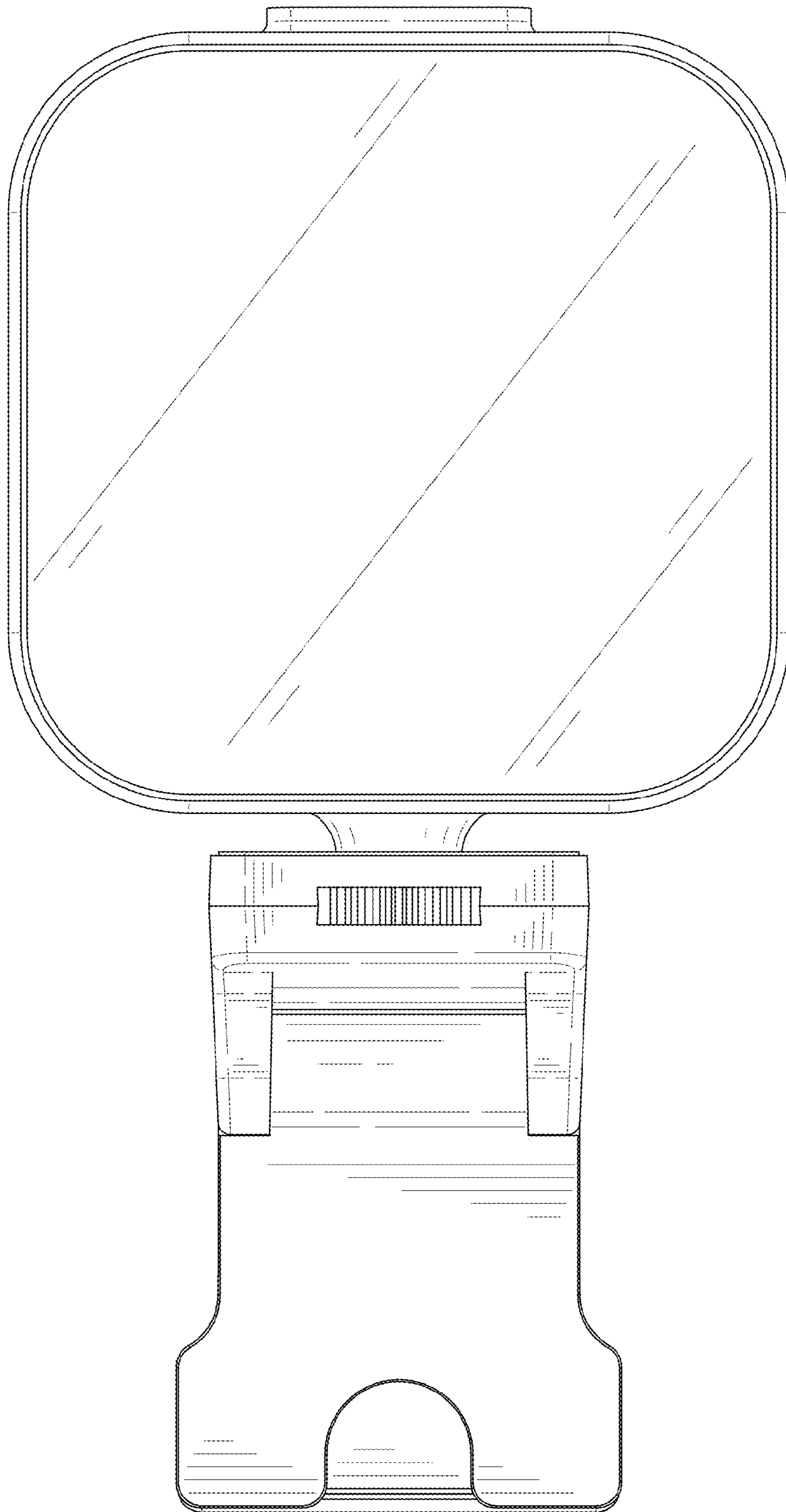


FIG. 3

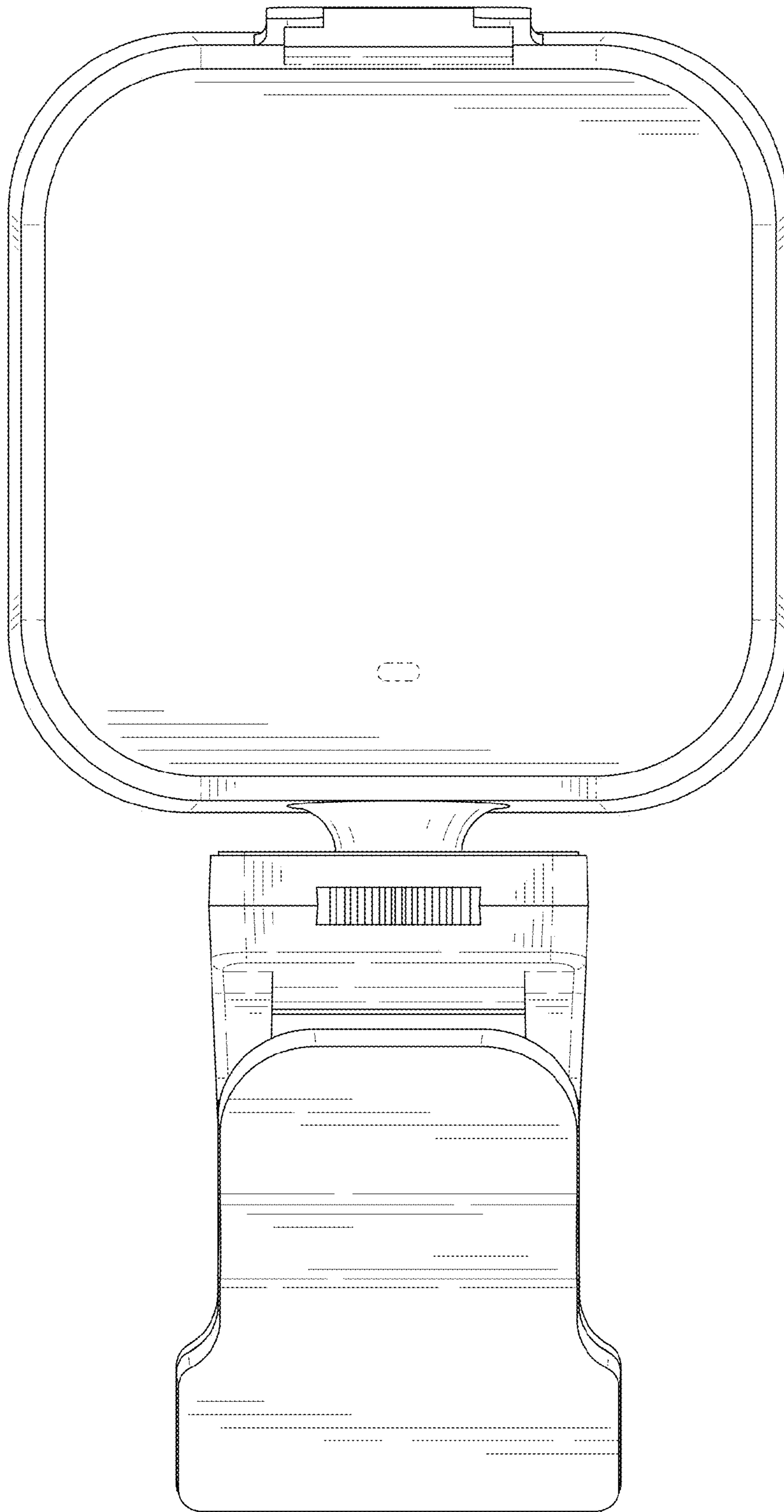


FIG. 4

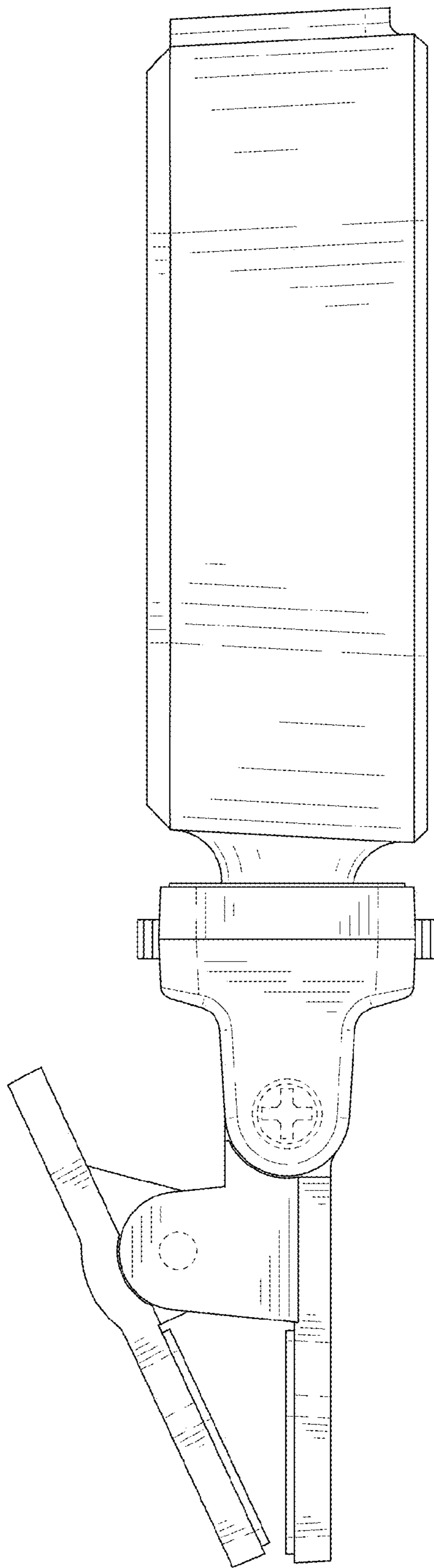


FIG. 5

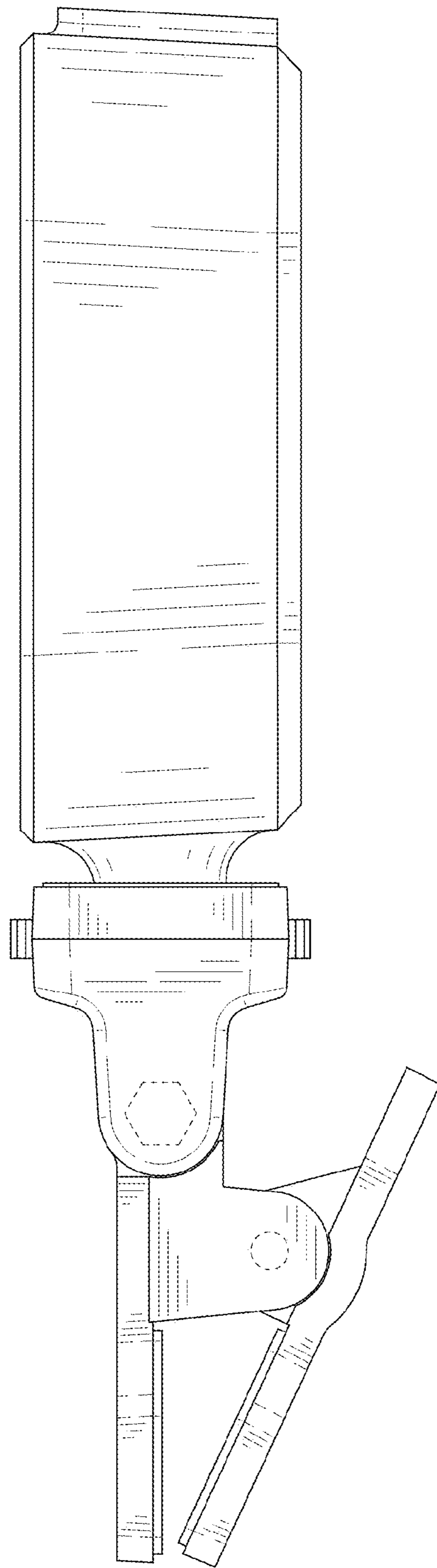


FIG. 6



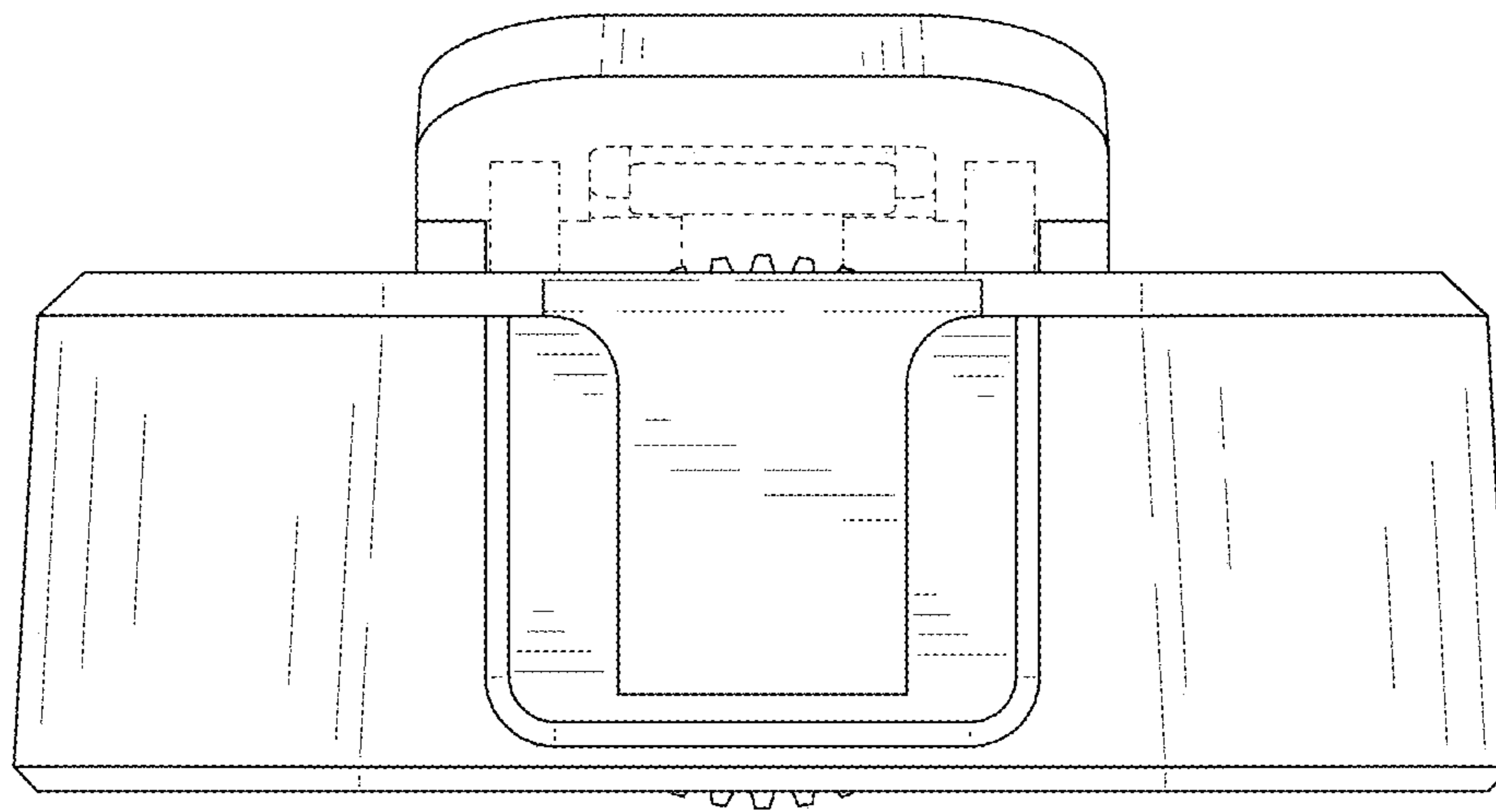


FIG. 7

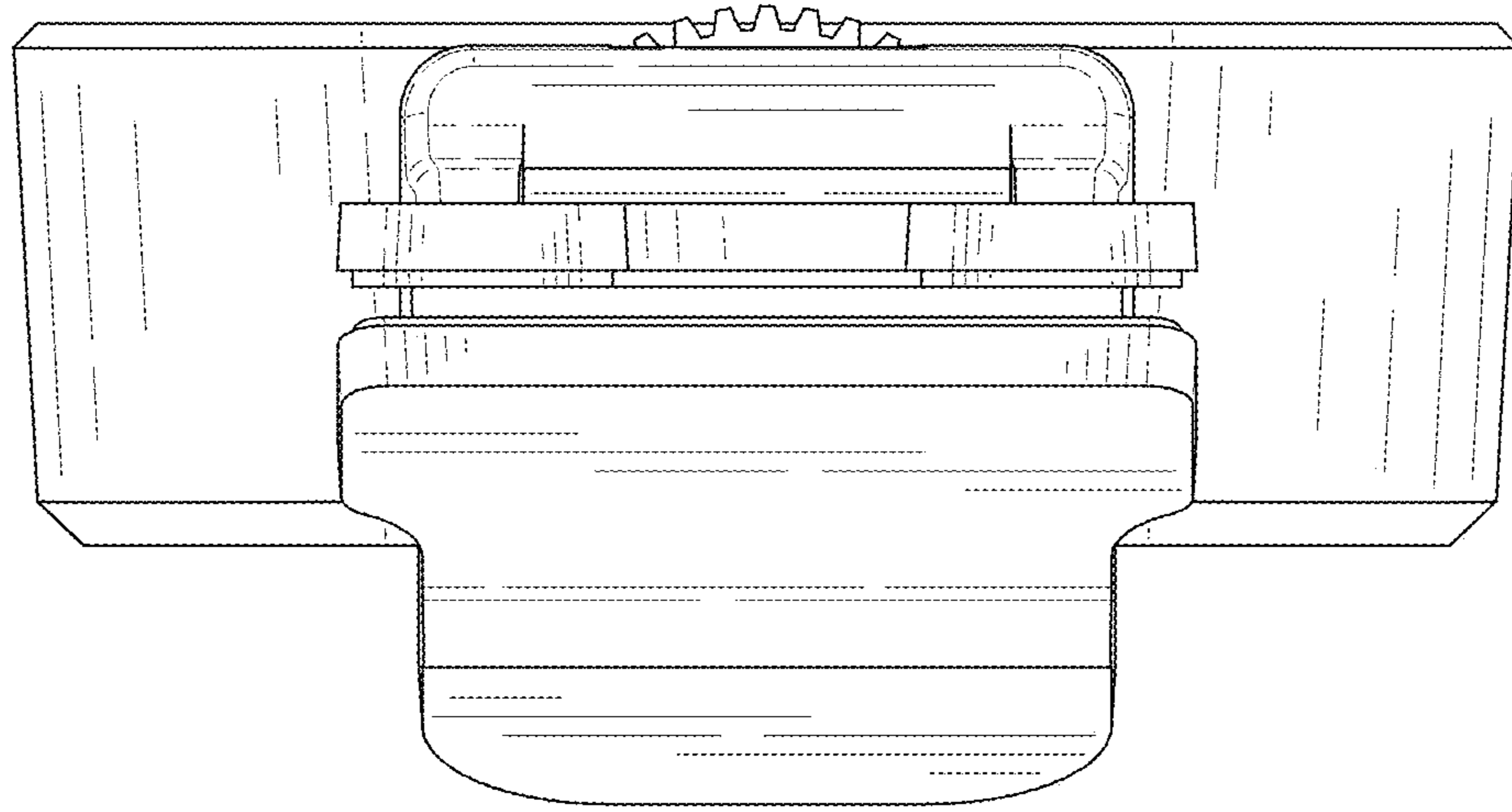


FIG. 8