

US00D982794S

(12) **United States Design Patent**
Yao

(10) **Patent No.:** **US D982,794 S**

(45) **Date of Patent:** **** Apr. 4, 2023**

(54) **WORKING LAMP**

(71) Applicant: **YUYAO YUCHANG ELECTRICAL APPLIANCE CO., LTD.**, Zhejiang (CN)

(72) Inventor: **Pinfeng Yao**, Zhejiang (CN)

(73) Assignee: **YUYAO YUCHANG ELECTRICAL APPLIANCE CO., LTD.**, Zhejiang (CN)

(**) Term: **15 Years**

(21) Appl. No.: **29/787,990**

(22) Filed: **Jun. 9, 2021**

(30) **Foreign Application Priority Data**

Dec. 10, 2020 (CN) 202030760943.0

(51) **LOC (14) Cl.** **26-02**

(52) **U.S. Cl.**
USPC **D26/44**

(58) **Field of Classification Search**
USPC D26/37, 40, 41, 42, 43, 44
CPC ... F21L 4/005; F21L 4/04; F21L 4/045; F21L 4/027; F21L 14/02; F21Y 2113/13
See application file for complete search history.

(56) **References Cited**

U.S. PATENT DOCUMENTS

- D495,442 S * 8/2004 Packard F21L 4/025 D26/37
- D740,987 S * 10/2015 Keeley D26/49
- D770,071 S * 10/2016 Windom D26/49
- D803,444 S * 11/2017 Green D26/49
- D845,528 S * 4/2019 Duarte D26/44

- D887,054 S * 6/2020 Zhang D26/44
- D916,340 S * 4/2021 Chen D26/44
- D927,625 S * 8/2021 Liu D21/793
- 2018/0224102 A1 * 8/2018 Bian F21L 4/025

OTHER PUBLICATIONS

Harbor Freight | ICON—800 Lumen LED Rechargeable Magnetic . . . , posted on Jul. 27, 2022, Copyright © 2022 Harbor Freight Tools. [online], site visited Oct. 26, 2022]. Available from Internet, <URL: <https://www.harborfreight.com/800-lumen-led-rechargeable-magnetic-folding-slim-bar-work-light-59103.html>> (Year: 2022).*

* cited by examiner

Primary Examiner — Cary M Robinson
Assistant Examiner — Julie Marie Bailey
(74) *Attorney, Agent, or Firm* — JCIPRNET

(57) **CLAIM**

The ornamental design for a working lamp, as shown and described.

DESCRIPTION

FIG. 1 is a perspective view of a working lamp showing my new design;
FIG. 2 is a front view thereof;
FIG. 3 is a rear view thereof;
FIG. 4 is a left side view thereof;
FIG. 5 is a right side view thereof;
FIG. 6 is a top view thereof;
FIG. 7 is a bottom view thereof; and,
FIG. 8 is another perspective view thereof, showing the working lamp in a folded state.
The broken lines shown in the figures depict portions of the working lamp in which the design is embodied that form no part of the claimed design.

1 Claim, 7 Drawing Sheets



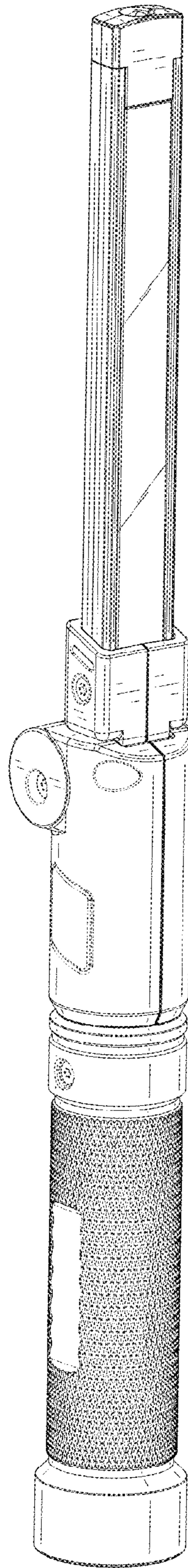


FIG. 1

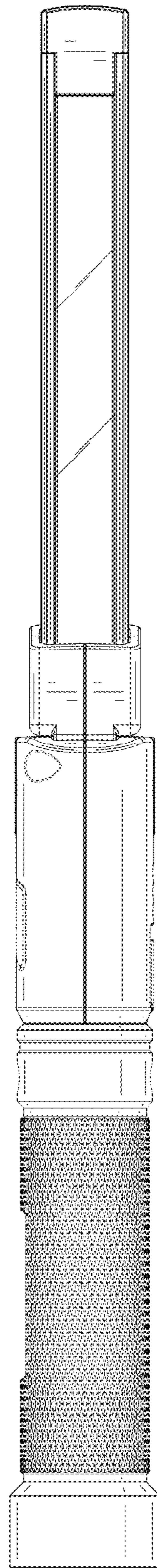


FIG. 2

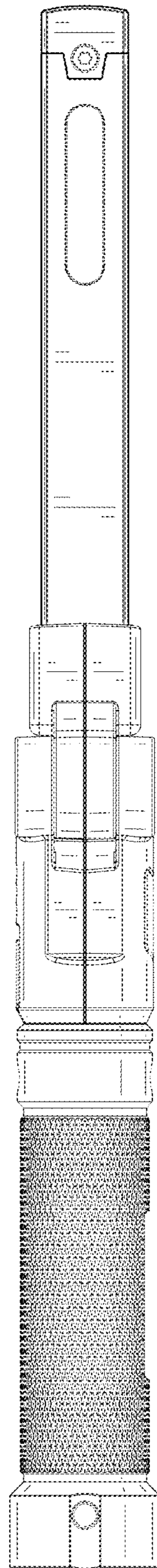


FIG. 3

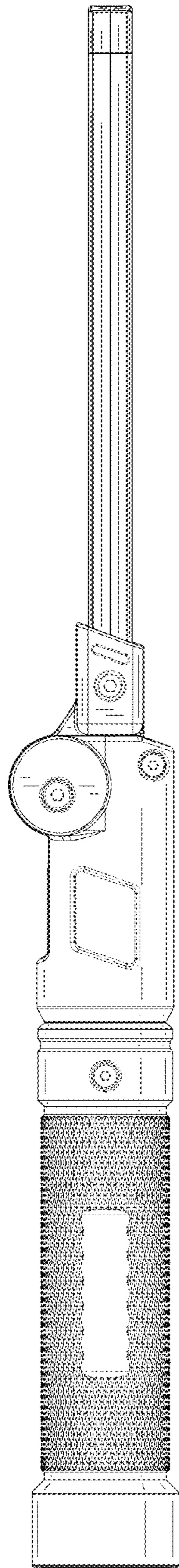


FIG. 4

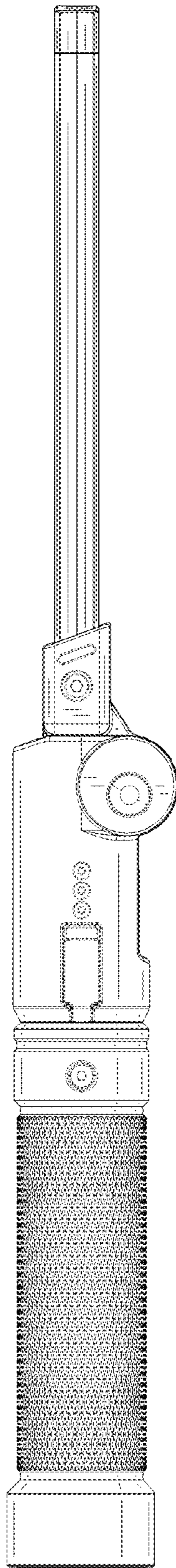


FIG. 5

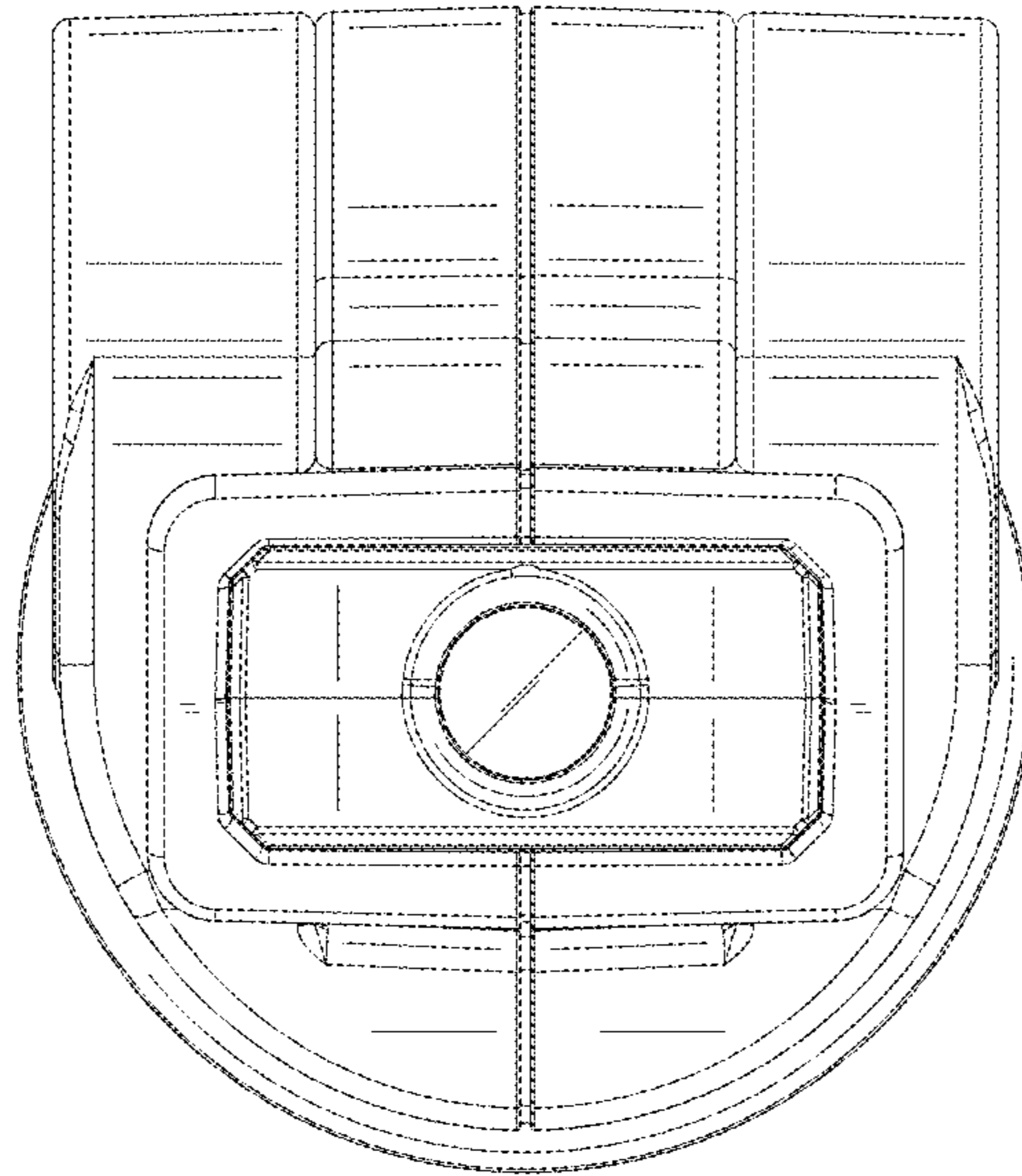


FIG. 6

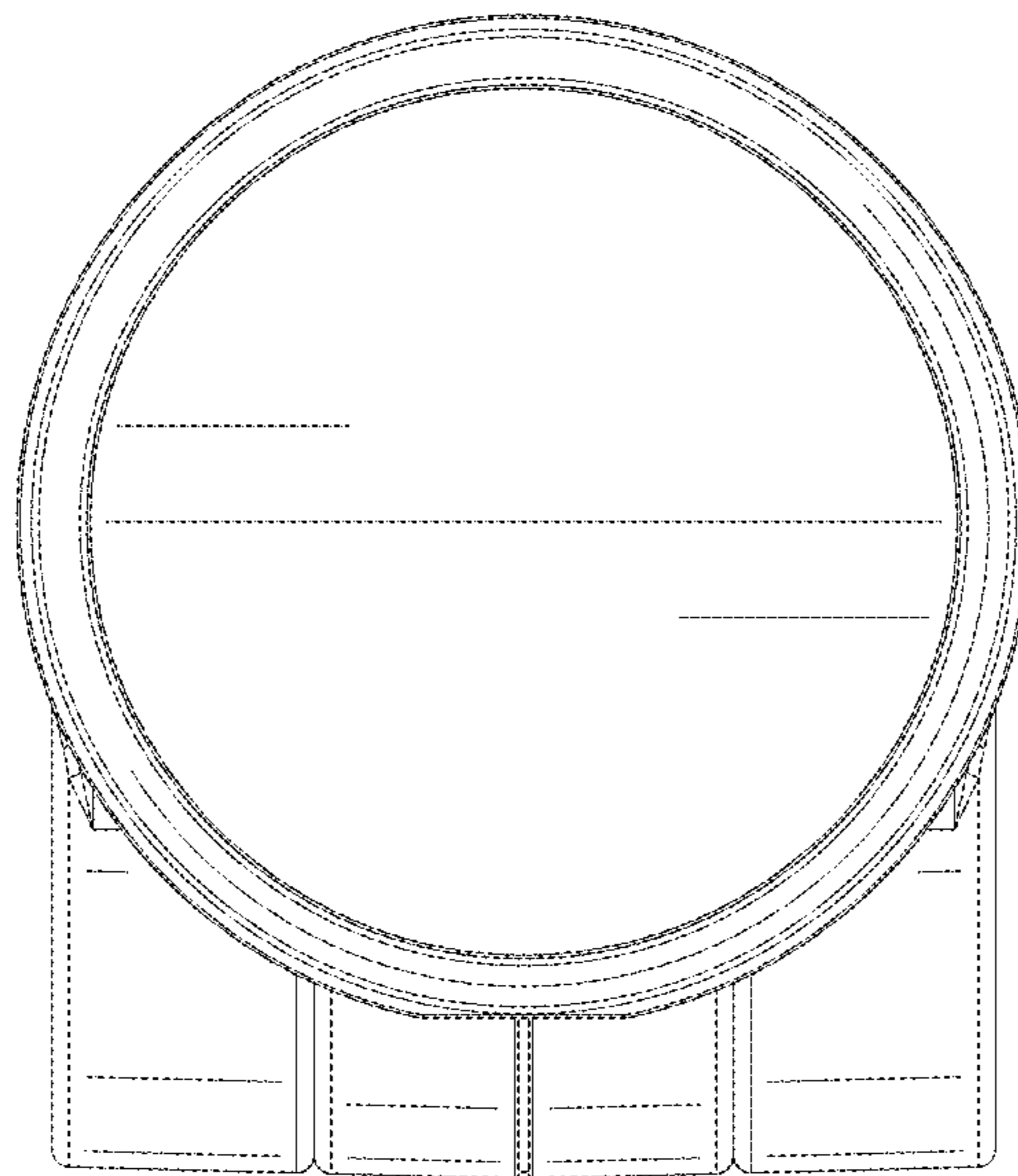


FIG. 7

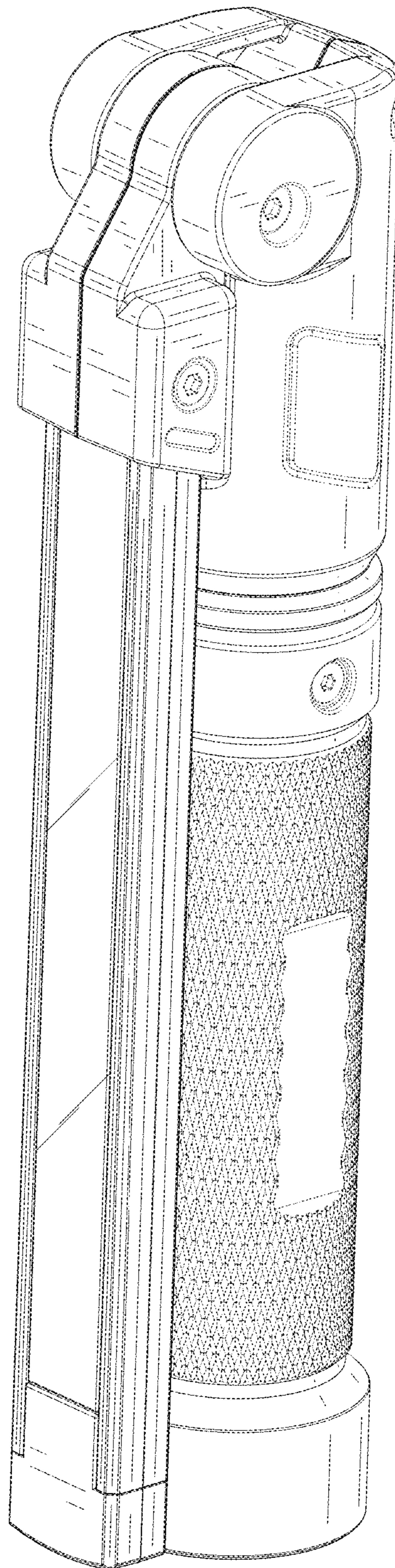


FIG. 8