



US00D982792S

(12) **United States Design Patent**
Zhang

(10) **Patent No.:** **US D982,792 S**
(45) **Date of Patent:** **** Apr. 4, 2023**

(54) **TABLE LAMP**
(71) Applicant: **Guanyi Zhang**, Beijing (CN)
(72) Inventor: **Guanyi Zhang**, Beijing (CN)
(**) Term: **15 Years**

4,998,192 A * 3/1991 Arndt F21V 15/005
362/376
D482,805 S * 11/2003 Wrob F21L 19/00
D26/73
D646,411 S * 10/2011 Tuli D26/40
(Continued)

(21) Appl. No.: **29/807,063**
(22) Filed: **Sep. 8, 2021**
(51) **LOC (14) Cl.** **26-02**
(52) **U.S. Cl.**
USPC **D26/37; D26/94**
(58) **Field of Classification Search**
USPC D26/37-44, 46-52, 67, 85, 87, 60, 61,
D26/36, 25, 27, 113, 104, 93, 94;
D10/109.1, 111-115
CPC F21L 4/00; F21L 2005/00; F21L 19/00;
F21Y 2107/30; H05B 47/10; H02J
7/0044; F21V 5/006; F21V 21/0824;
F21V 15/02; F21S 9/022; F21W
2131/1005

FOREIGN PATENT DOCUMENTS

CN 305049950 * 2/2019
KR 1667571 B1 * 10/2016 F21L 19/00
TW 430552 U * 6/2012 F21L 19/00

See application file for complete search history.

OTHER PUBLICATIONS

“Murphy Weathered Bronze Miner Lantern Lamp,” Nov. 18, 2020 (Q&A), lampsplus.com, site visited Aug. 19, 2022, URL: https://www.lampsplus.com/products/murphy-weathered-bronze-miner-lantern-lamp-with-table-top-dimmer_89m01.html (Year: 2020).*

(Continued)

Primary Examiner — Christy Nemeth
Assistant Examiner — Sarah L Smith

(56) **References Cited**

U.S. PATENT DOCUMENTS

326,136 A * 9/1885 Meyrose F21L 19/003
362/176
974,629 A * 11/1910 Bergener F21V 15/02
362/376
D42,488 S * 5/1912 McArthur, Jr. D26/41
D44,340 S * 7/1913 Hill D26/41
1,111,942 A * 9/1914 Batchelor F21V 15/02
362/376
1,366,710 A * 1/1921 Anker F21L 19/00
248/156
2,054,878 A * 9/1936 Embury F21L 19/006
362/171
D106,021 S * 9/1937 Crowley F21L 19/003
D26/52
2,128,767 A * 8/1938 Currie F21L 19/00
362/171
D262,321 S * 12/1981 Kvasnicka D26/73

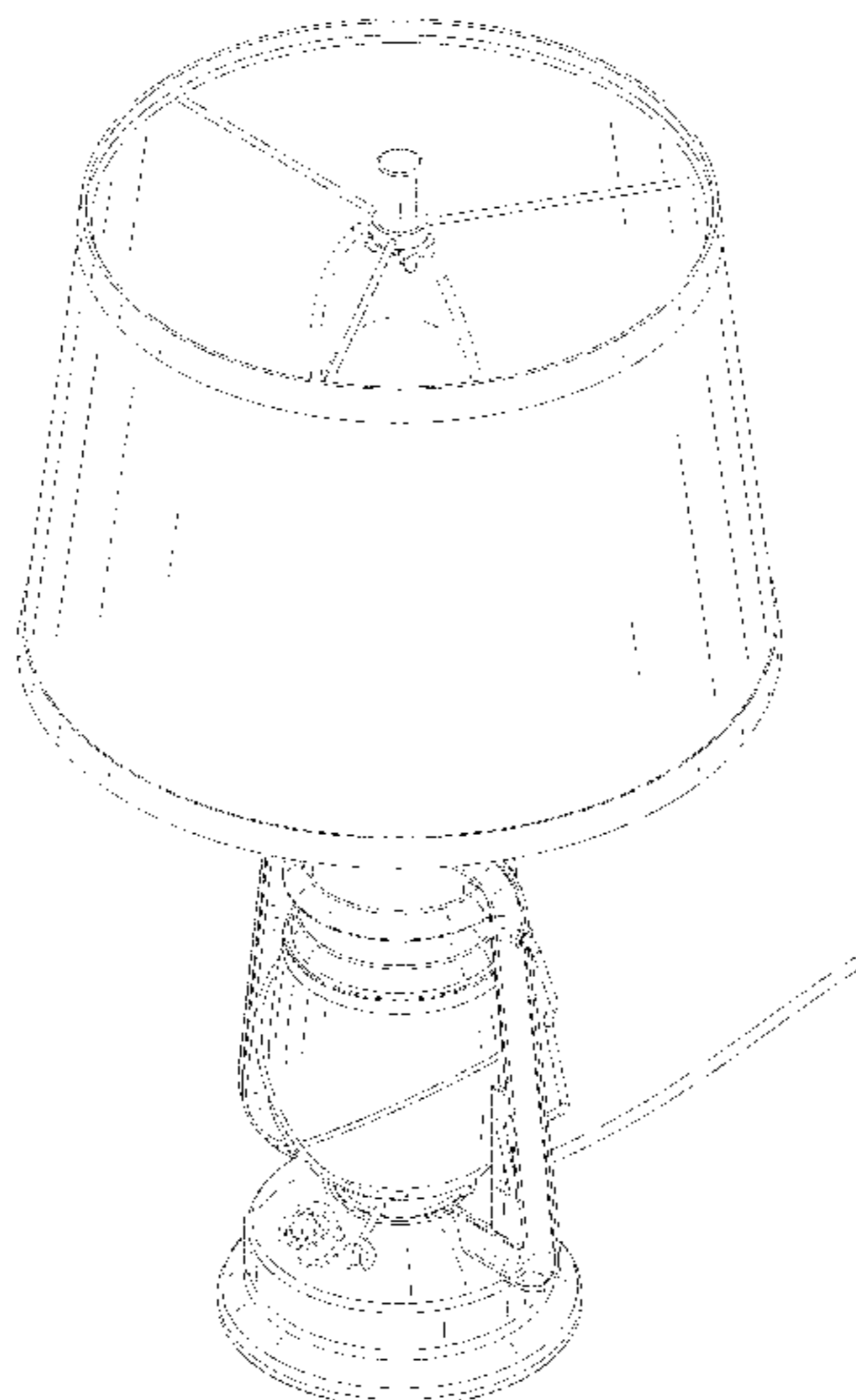
(57) **CLAIM**

The ornamental design for a table lamp, as shown and described.

DESCRIPTION

FIG. 1 is a perspective view of a table lamp showing my new design;
FIG. 2 is a front elevational view thereof;
FIG. 3 is a rear elevational view thereof;
FIG. 4 is a left side elevational view thereof;
FIG. 5 is a right side elevational view thereof;
FIG. 6 is a top plan view thereof; and,
FIG. 7 is a bottom plan view thereof.
The broken lines in the drawings depict portions of the table lamp that form no part of the claimed design.

1 Claim, 7 Drawing Sheets



(56)

References Cited

U.S. PATENT DOCUMENTS

D700,381 S * 2/2014 Pamani F21V 15/02
D26/40
D819,855 S * 6/2018 Li D26/41
D892,390 S 8/2020 Tong
D911,589 S 2/2021 Huang
D958,442 S * 7/2022 Li F21L 19/006
D26/106

OTHER PUBLICATIONS

“Murphy Rustic Farmhouse Industrial Accent Table Lamp,” Jul. 25, 2020, amazon.com, site visited Aug. 19, 2022, URL: https://www.amazon.com/Farmhouse-Industrial-Lantern-Weathered-Oatmeal/dp/B08DM2GBSX?source=ps-sl-shoppingads-lpcontext&ref_=fplfs&psc=1&smid=AB7N2KJ4KAXC3 (Year: 2020).*

* cited by examiner

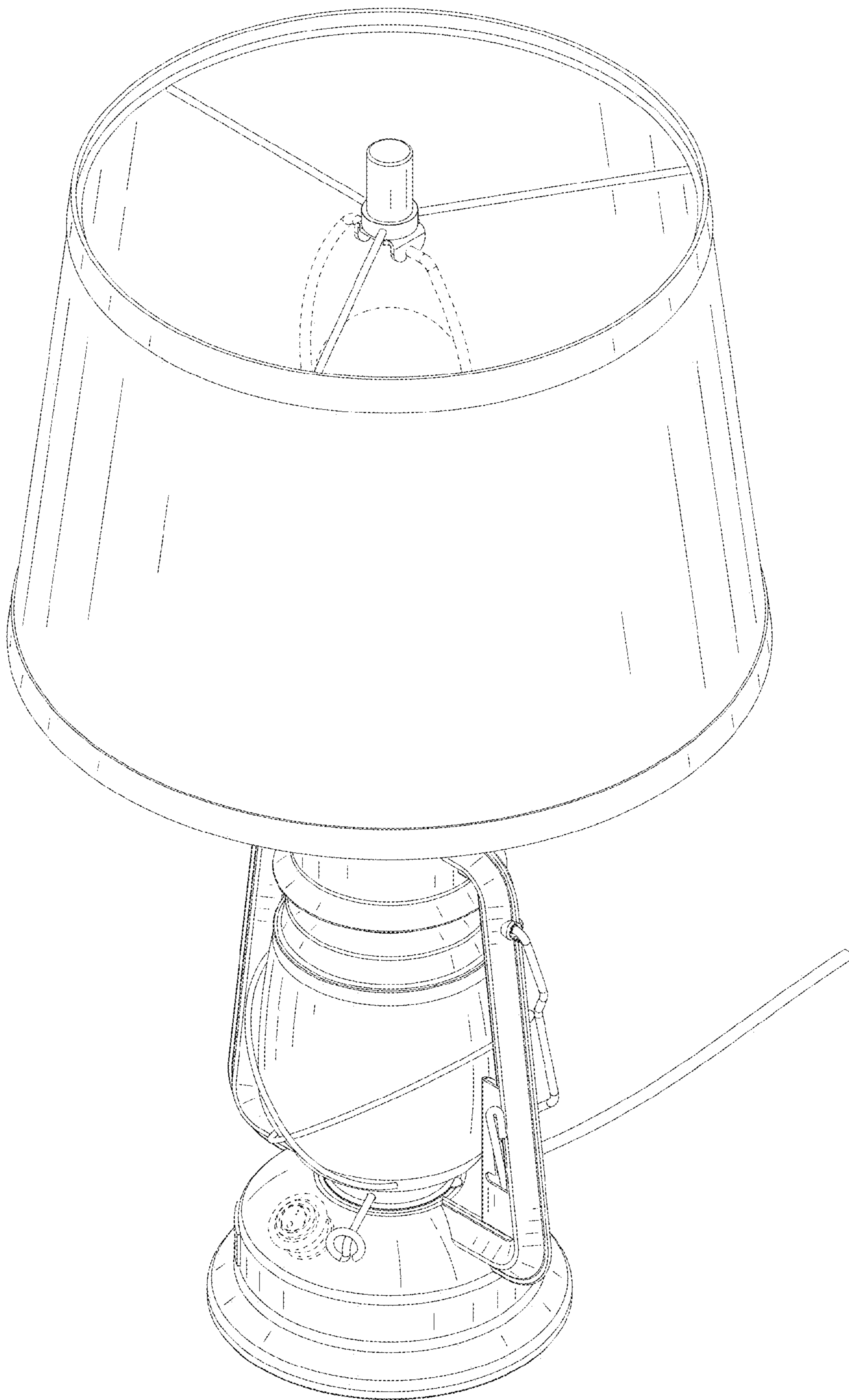


FIG. 1

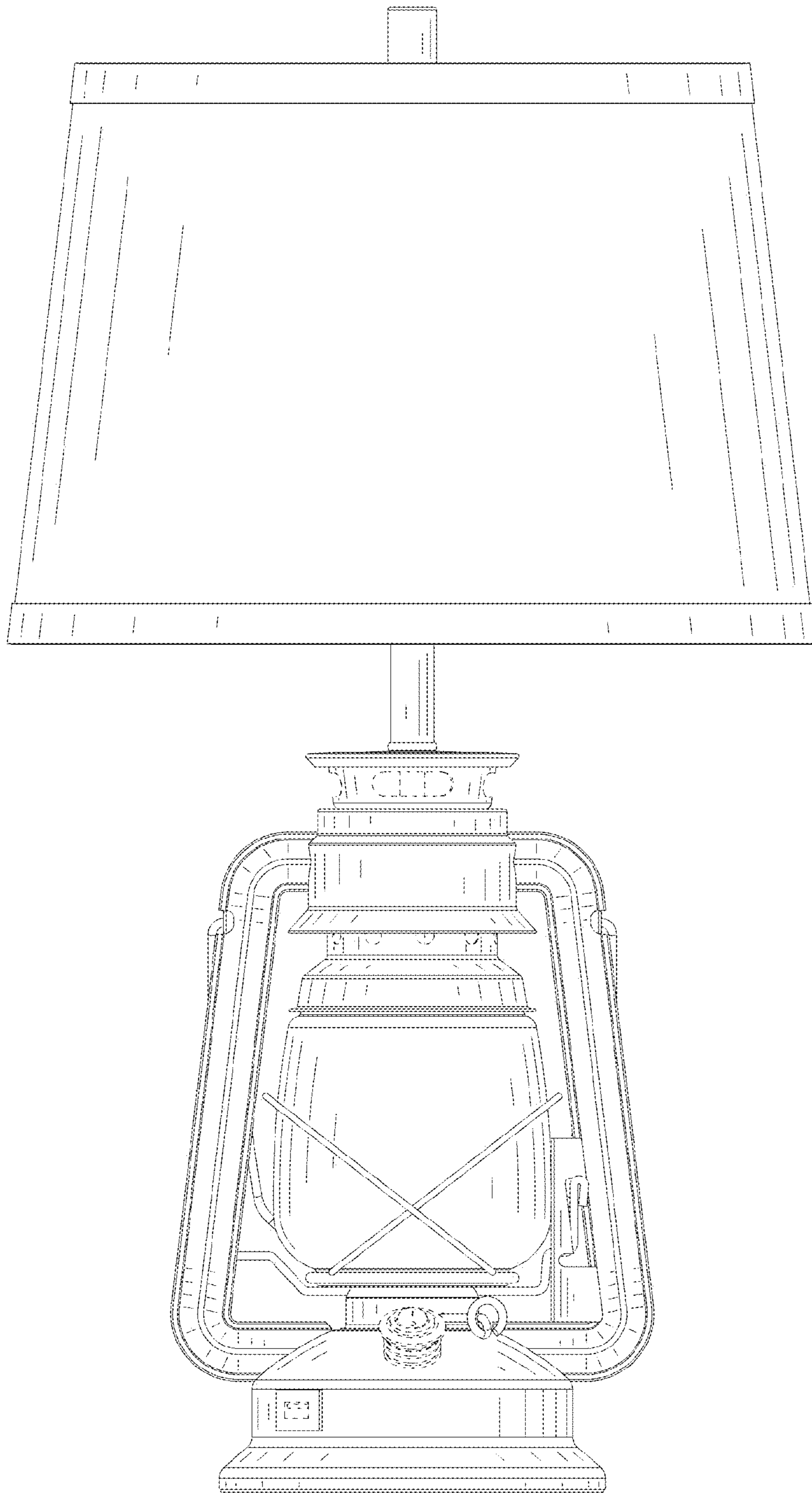


FIG. 2

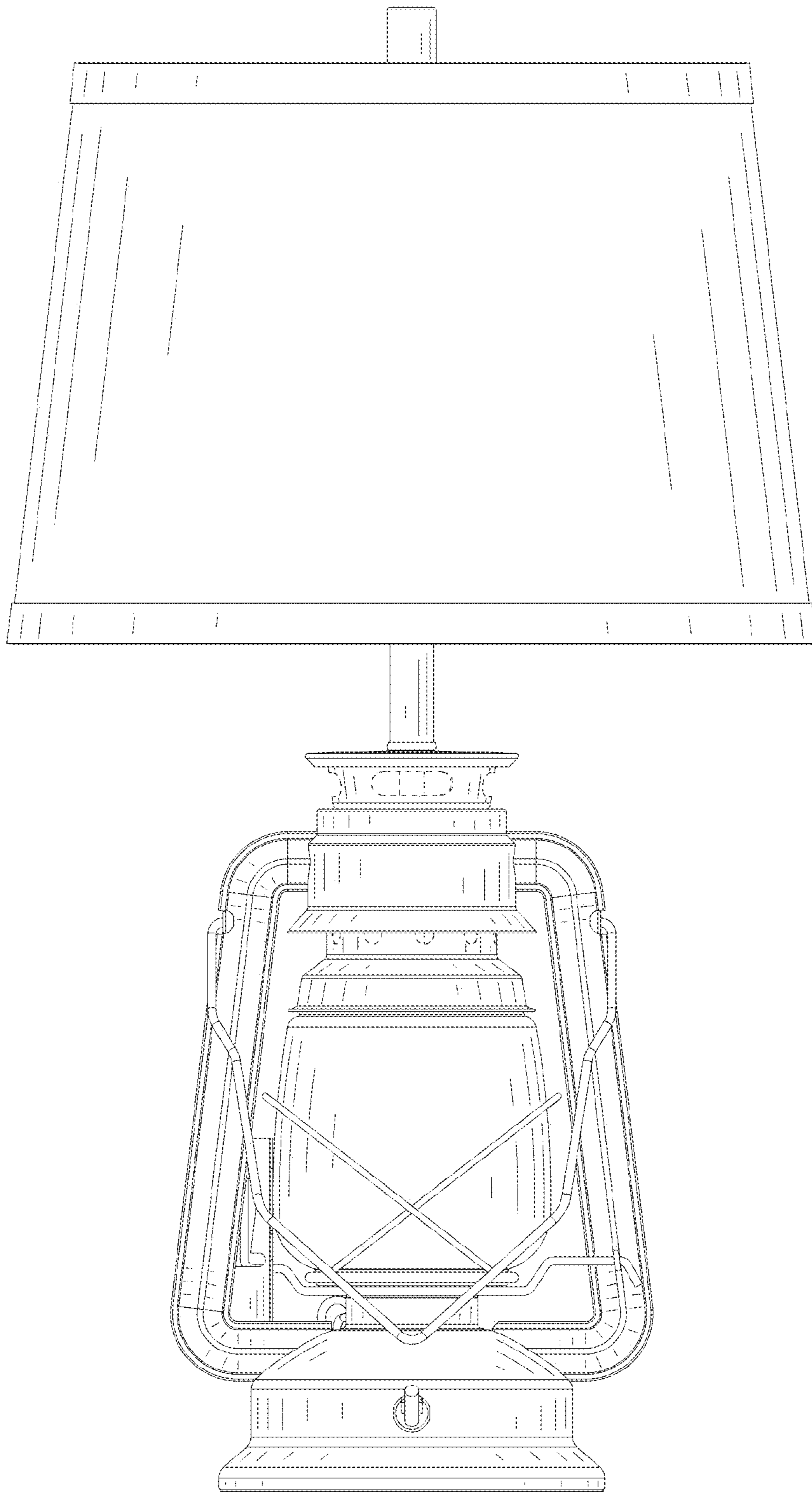


FIG. 3

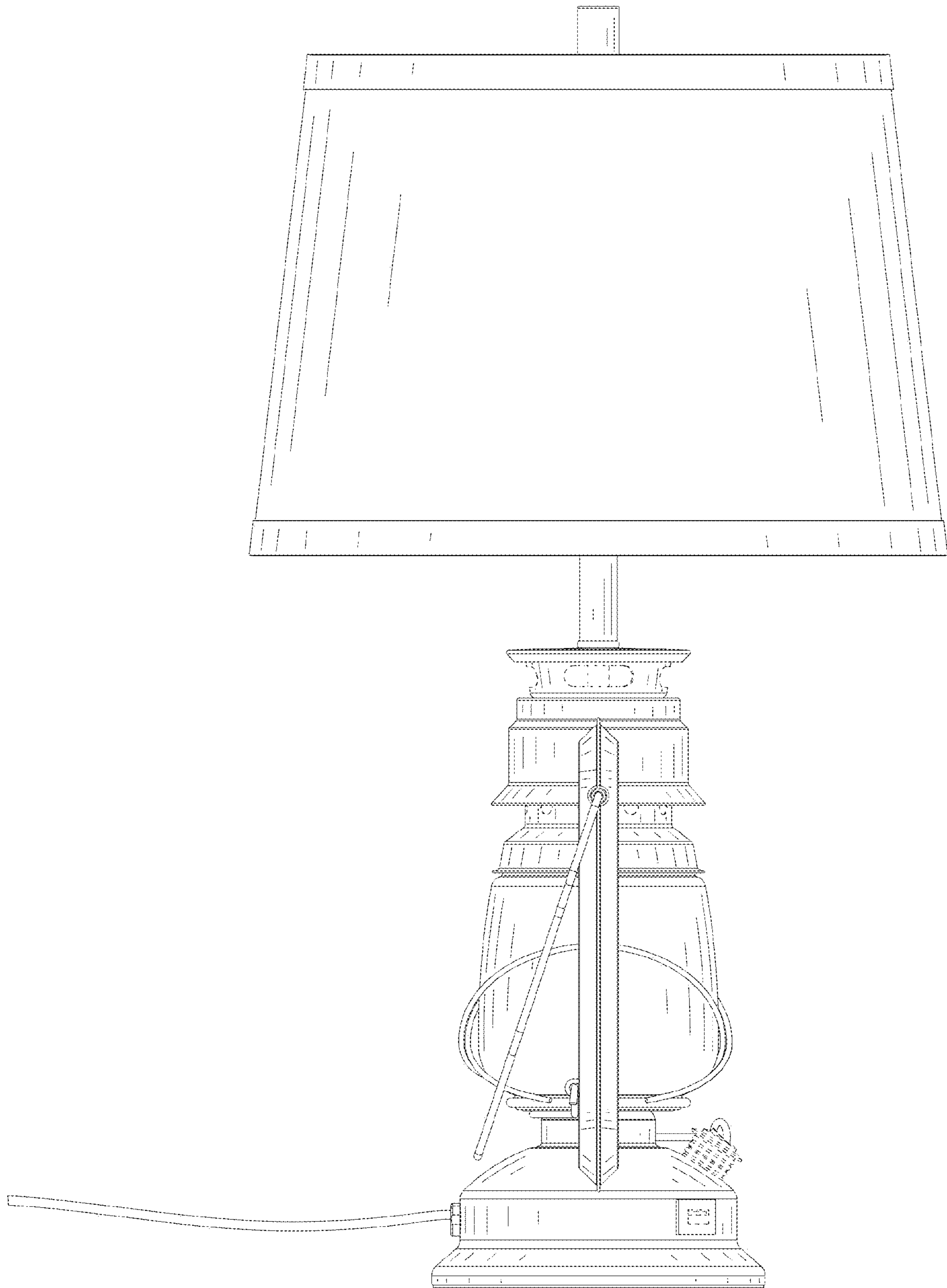


FIG. 4

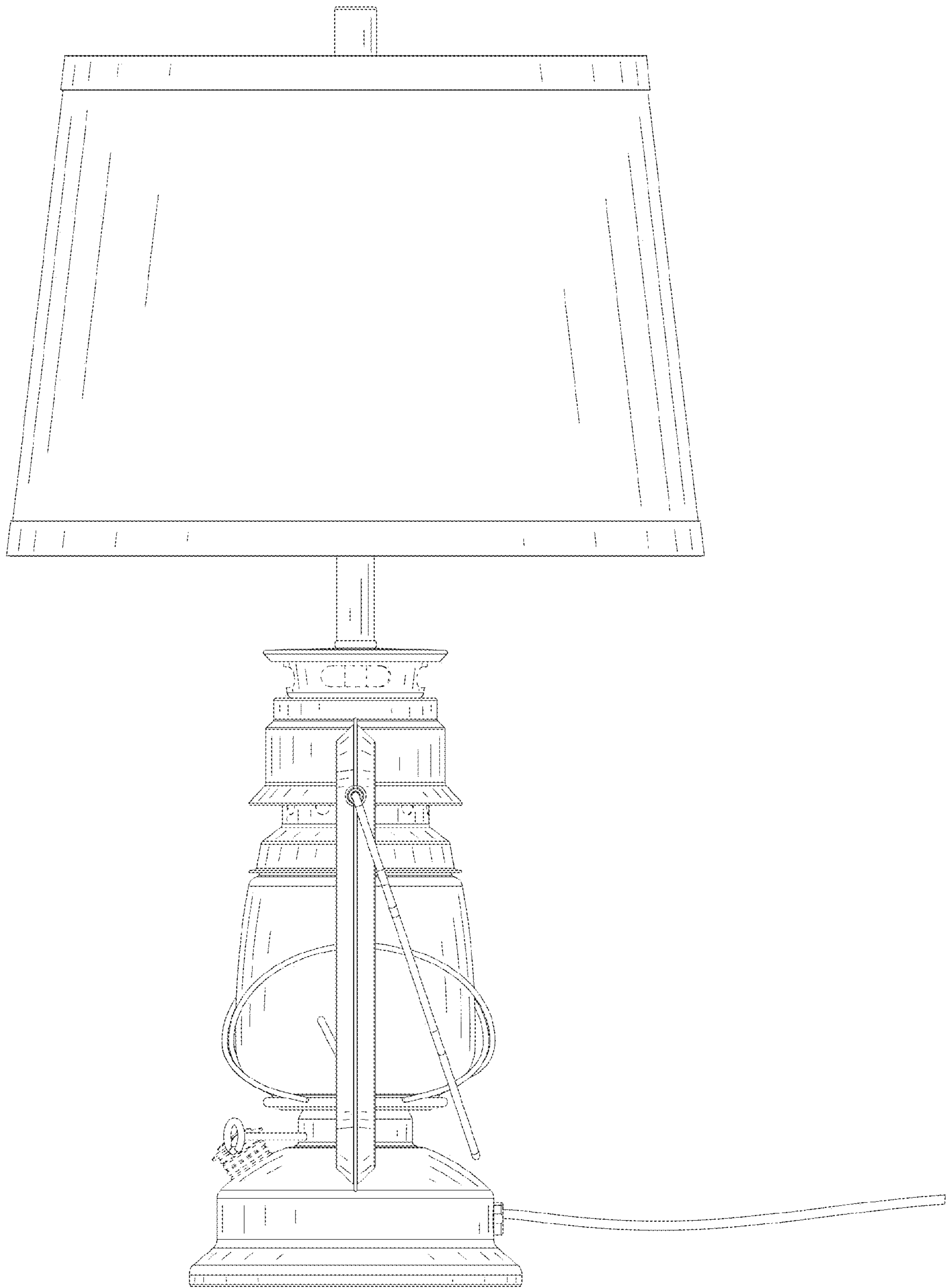


FIG. 5

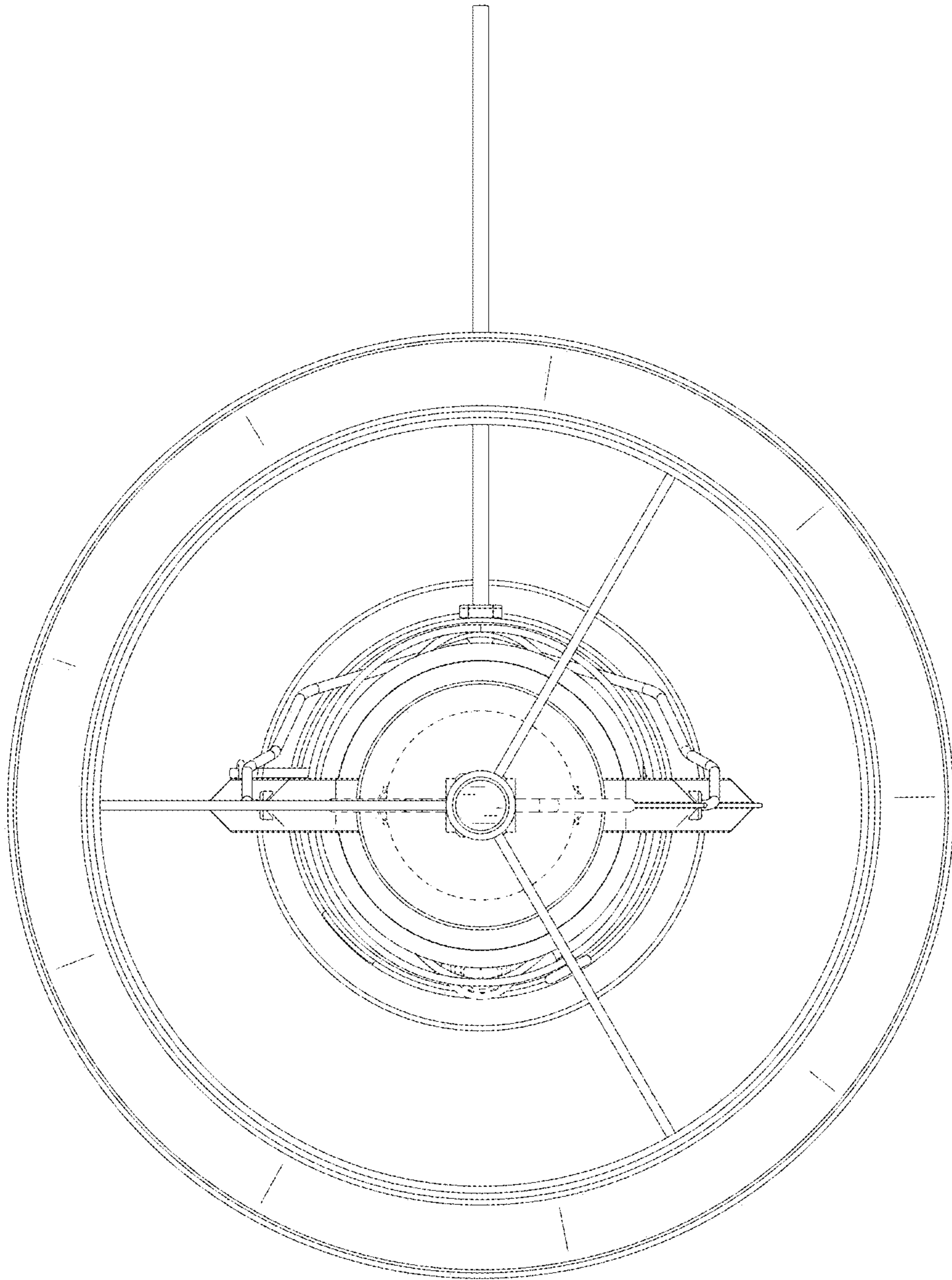


FIG. 6

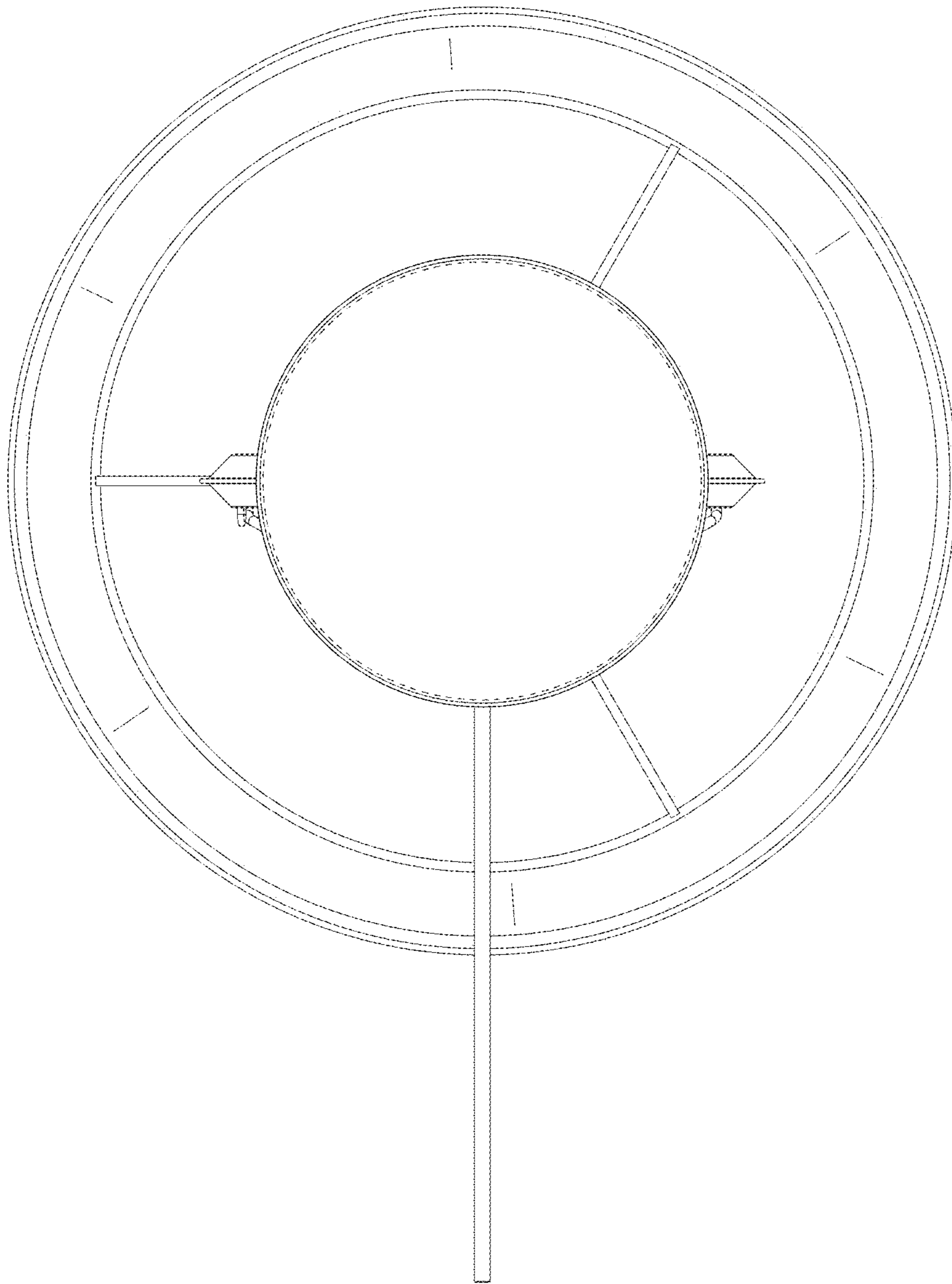


FIG. 7