



US00D982790S

(12) **United States Design Patent**
Bourne

(10) **Patent No.:** **US D982,790 S**

(45) **Date of Patent:** **** Apr. 4, 2023**

(54) **FLASHLIGHT**

D356,650 S 3/1995 Petterson et al.
D359,307 S * 6/1995 Anavil F21V 21/406
D19/186

(71) Applicant: **Energizer Brands, LLC**, St. Louis,
MO (US)

D360,045 S 7/1995 Inukai
(Continued)

(72) Inventor: **Chris Bourne**, St. Louis, MO (US)

FOREIGN PATENT DOCUMENTS

(73) Assignee: **Energizer Brands, LLC**, St. Louis,
MO (US)

CN 302415703 4/2013
CN 303938127 11/2016

(**) Term: **15 Years**

(Continued)

(21) Appl. No.: **29/758,980**

OTHER PUBLICATIONS

(22) Filed: **Nov. 19, 2020**

Energizer TAC 1000 LED Flashlight. By Energizer. Dated Apr. 11,
2020. Found online [Feb. 1, 2022]. <https://www.homedepot.com/p/Energizer-Energizer-TAC-1000-LED-Flashlight-1000-Lumens-ENPMHT61/311802761#overlay> (Year: 2020).

(Continued)

Related U.S. Application Data

(62) Division of application No. 29/690,442, filed on May
8, 2019, now Pat. No. Des. 918,446.

(51) **LOC (14) Cl.** **26-02**

(52) **U.S. Cl.**
USPC **D26/37**

(58) **Field of Classification Search**
USPC D26/37-38, 40-42, 46, 49-50; D14/411;
D19/168, 171, 176, 179
CPC F21L 4/00; F21L 4/005; F21L 4/02; F21L
4/022; F21L 4/025; F21L 4/027; F21L
4/045; F21L 4/08; F21L 4/085; F21L
14/02

See application file for complete search history.

Primary Examiner — Cary M Robinson

Assistant Examiner — Julie Marie Bailey

(74) *Attorney, Agent, or Firm* — Alston & Bird LLP

(57) **CLAIM**

The ornamental design for a flashlight, as shown and
described.

DESCRIPTION

FIG. 1 is a bottom front perspective view of a flashlight;

FIG. 2 is a top rear perspective view, thereof;

FIG. 3 is a front view, thereof;

FIG. 4 is a back view, thereof;

FIG. 5 is a left side view, thereof;

FIG. 6 is a right side view, thereof;

FIG. 7 is a top view, thereof; and,

FIG. 8 is a bottom view, thereof.

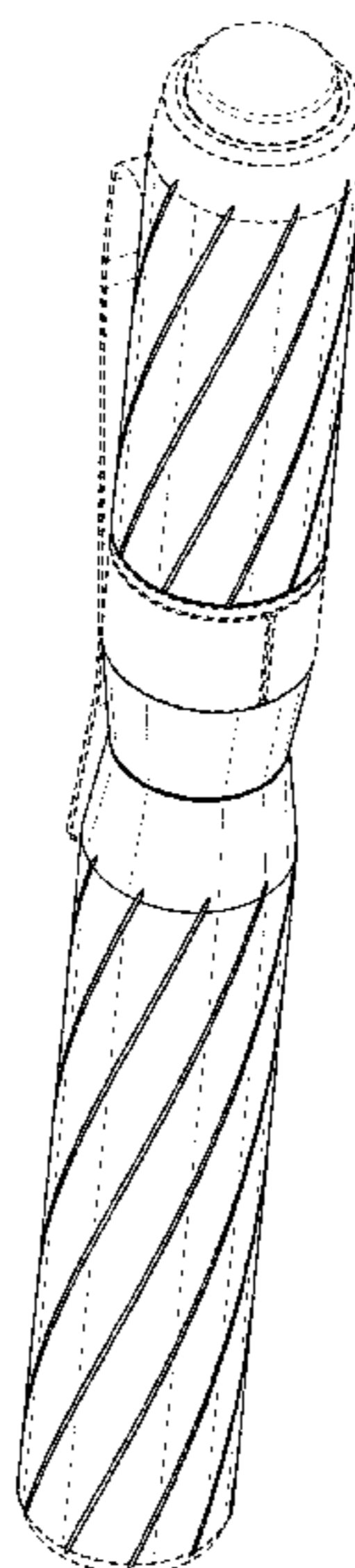
The broken lines shown are provided for the purpose of
illustrating environmental structure and form no part of the
claimed design.

(56) **References Cited**

U.S. PATENT DOCUMENTS

2,855,499 A 10/1958 Lewis
3,737,650 A 6/1973 Kaye et al.
D291,838 S 9/1987 Tung
4,803,605 A 2/1989 Schaller et al.
D315,608 S 3/1991 Petterson et al.
D330,725 S * 11/1992 Samuel B43K 7/005
D19/916
D336,966 S 6/1993 Yau

1 Claim, 7 Drawing Sheets



(56)

References Cited

U.S. PATENT DOCUMENTS

D375,375 S	11/1996	Poon	
D394,322 S	5/1998	Dalton et al.	
D395,719 S	6/1998	Concari	
D401,276 S	* 11/1998	Worther	D19/918
D403,454 S	12/1998	Zelina, Jr. et al.	
D421,145 S	2/2000	Man	
D428,173 S	7/2000	Lynch et al.	
D445,934 S	7/2001	Dalton et al.	
D447,259 S	8/2001	Lynch et al.	
D448,876 S	10/2001	Osiecki et al.	
D448,878 S	10/2001	Dalton et al.	
D449,395 S	10/2001	Dalton et al.	
D449,703 S	10/2001	Dalton et al.	
D452,024 S	12/2001	Sharrah	
D452,025 S	12/2001	Poon	
D455,513 S	4/2002	Galli	
D465,865 S	11/2002	Hamilton et al.	
D467,375 S	12/2002	Lynch et al.	
D468,850 S	1/2003	Sharrah et al.	
D476,104 S	6/2003	Dalton et al.	
D480,824 S	10/2003	Englert et al.	
D480,825 S	10/2003	Englert et al.	
D480,826 S	10/2003	Englert et al.	
D483,136 S	12/2003	Poon	
D483,784 S	12/2003	Ting	
D486,257 S	2/2004	Kingston et al.	
D487,810 S	3/2004	Kingston et al.	
D492,807 S	7/2004	Dalton et al.	
D493,904 S	8/2004	Dalton et al.	
D494,299 S	8/2004	Dalton et al.	
D494,694 S	8/2004	Krieger et al.	
D496,116 S	9/2004	Abernethy et al.	
D496,482 S	9/2004	Osiecki et al.	
D497,446 S	10/2004	Kingston et al.	
D499,499 S	12/2004	Cetera	
D501,056 S	1/2005	Dalton et al.	
D502,278 S	2/2005	Dalton et al.	
D502,564 S	3/2005	Dalton et al.	
D503,991 S	4/2005	Dalton et al.	
D504,534 S	4/2005	Osiecki et al.	
D504,737 S	5/2005	Osiecki et al.	
D504,740 S	5/2005	Dalton et al.	
D504,966 S	5/2005	Osiecki et al.	
D504,970 S	5/2005	Dalton et al.	
D507,064 S	7/2005	Osiecki et al.	
D507,364 S	7/2005	Lo	
D518,216 S	3/2006	Rugendyke et al.	
D518,217 S	3/2006	Rugendyke et al.	
D521,166 S	5/2006	Yamamoto et al.	
D521,666 S	5/2006	Chean	
7,070,297 B1	7/2006	Muhlnickel, Jr.	
D531,219 S	* 10/2006	Keely	D14/411
D531,337 S	10/2006	Dalton et al.	
D531,747 S	11/2006	Brown	
D536,117 S	1/2007	Krieger et al.	
D536,464 S	2/2007	Kingston et al.	
D544,118 S	6/2007	Osiecki et al.	
D549,373 S	8/2007	Osiecki et al.	
D549,377 S	8/2007	Osiecki et al.	
D552,279 S	10/2007	Osiecki et al.	
D552,280 S	10/2007	Osiecki et al.	
D552,776 S	10/2007	Osiecki et al.	
D553,281 S	10/2007	Rugendyke et al.	
D553,283 S	10/2007	Rugendyke et al.	
D554,786 S	11/2007	Rugendyke et al.	
D557,840 S	12/2007	Shiu	
D560,297 S	1/2008	Brown et al.	
D562,480 S	2/2008	Spartano et al.	
D574,529 S	8/2008	Squires et al.	
D577,140 S	9/2008	Brown et al.	
D578,687 S	10/2008	Hong	
D579,135 S	10/2008	Shiu	
D582,915 S	12/2008	Leung	
D589,635 S	3/2009	Rugendyke et al.	
D596,772 S	7/2009	Chang	
D598,151 S	8/2009	McGraw	
D603,990 S	11/2009	Brown et al.	
D605,795 S	12/2009	Baker et al.	
D617,023 S	6/2010	Rugendyke et al.	
D620,161 S	7/2010	Kang et al.	
D622,428 S	8/2010	Crawford et al.	
D623,692 S	* 9/2010	Renner	D19/186
D625,448 S	10/2010	Brown et al.	
D628,727 S	12/2010	Risch et al.	
D629,941 S	12/2010	Robinson et al.	
D630,783 S	1/2011	Baker et al.	
D637,747 S	5/2011	Hesse et al.	
D641,510 S	7/2011	Wang	
D649,275 S	11/2011	Crawford et al.	
D658,322 S	4/2012	Wu	
D659,270 S	5/2012	Nguyen et al.	
D661,734 S	6/2012	Johnson	
D675,764 S	2/2013	Boutet et al.	
D676,170 S	2/2013	Feng et al.	
D676,993 S	2/2013	Kotsis et al.	
8,382,312 B2	2/2013	Crawford et al.	
D681,858 S	5/2013	Sharrah et al.	
D685,939 S	7/2013	Cooper	
D686,619 S	* 7/2013	Liu	D14/411
D687,995 S	8/2013	Yeh	
D688,401 S	8/2013	Kung	
D689,229 S	9/2013	Yeh	
D689,230 S	9/2013	Yeh	
D690,448 S	9/2013	Yeh	
D706,476 S	6/2014	Lee	
D707,869 S	6/2014	Wu	
8,783,908 B2	7/2014	Gross et al.	
D710,526 S	8/2014	Lee	
D716,983 S	11/2014	Ma	
D728,139 S	4/2015	Wang	
D739,060 S	9/2015	Chouprinov et al.	
D742,570 S	11/2015	Brown et al.	
D743,075 S	11/2015	Keaton	
D744,136 S	11/2015	Osiecki et al.	
D747,020 S	1/2016	Chouprinov et al.	
D752,793 S	3/2016	Ng	
D757,850 S	5/2016	Zhang	
D765,899 S	9/2016	Hine et al.	
D767,184 S	9/2016	Fitch et al.	
D767,187 S	9/2016	Hine	
D770,071 S	10/2016	Windom et al.	
D772,456 S	11/2016	Bertken	
D774,230 S	12/2016	Prieto et al.	
D785,841 S	5/2017	Brown et al.	
D785,940 S	5/2017	Reed	
D788,965 S	6/2017	Roshak et al.	
D797,335 S	9/2017	Brown et al.	
D798,482 S	9/2017	O'Doherty et al.	
D799,087 S	10/2017	Koshiba	
D806,295 S	12/2017	Kang et al.	
9,845,938 B1	12/2017	Kaye et al.	
D810,978 S	2/2018	Windom	
D811,636 S	2/2018	Galli et al.	
D814,088 S	3/2018	Cao	
9,933,146 B2	4/2018	Maglica et al.	
D817,528 S	5/2018	Wu	
D818,621 S	5/2018	Kunzendorf	
D822,864 S	7/2018	Windom	
D826,439 S	8/2018	Ma	
D833,661 S	11/2018	Ma	
D837,428 S	1/2019	Arena	
D840,854 S	2/2019	Shi et al.	
D844,204 S	3/2019	Ma	
D844,874 S	4/2019	Eichelberger et al.	
D846,783 S	4/2019	Eichelberger	
D849,979 S	5/2019	Lehovetzki	
D851,310 S	6/2019	Windom et al.	
D851,797 S	6/2019	Sharrah	
D855,850 S	8/2019	Brown	
D855,851 S	8/2019	Kotsis et al.	
D858,831 S	9/2019	Proeber	
D866,030 S	11/2019	Bao	
D866,031 S	11/2019	Muyshondt	
D866,830 S	11/2019	Pan et al.	

(56)

References Cited

U.S. PATENT DOCUMENTS

D871,639	S	12/2019	Prieto	
D882,840	S	4/2020	Liu	
D883,546	S	5/2020	Li	
D891,663	S	7/2020	Weizel	
D894,456	S	8/2020	Luo	
D895,183	S	9/2020	Qiu	
D895,868	S	9/2020	Christensen	
D895,869	S	9/2020	Qiu	
D897,578	S	9/2020	Le	
D897,579	S	9/2020	Le	
D905,885	S	12/2020	Kotsis et al.	
D906,560	S	12/2020	Liu	
D907,826	S	1/2021	Christensen	
D914,938	S	3/2021	Qiu	
D916,341	S	4/2021	Christensen	
D917,753	S	4/2021	Guo et al.	
D918,446	S *	5/2021	Bourne	F21V 15/04 D26/37
D933,868	S	10/2021	Zhao	
D935,654	S	11/2021	Kotsis et al.	
D937,460	S *	11/2021	Bourne	F21V 15/04 D26/37
D942,060	S *	1/2022	Luo	D26/37
D945,035	S	3/2022	Zeng	
D953,589	S *	5/2022	Zhang	D26/49
2004/0012955	A1	1/2004	Hsieh	
2004/0095759	A1	5/2004	Koch et al.	
2005/0174754	A1 *	8/2005	Fang	B43K 7/005 362/205
2006/0274520	A1	12/2006	Dalton et al.	
2008/0304258	A1	12/2008	McMillan et al.	
2009/0147506	A1	6/2009	Robinson	
2010/0046211	A1	2/2010	Spartano et al.	
2010/0090613	A1	4/2010	Spartano	
2015/0267882	A1	9/2015	O'Brien	
2016/0381755	A1	12/2016	Qiu	
2019/0017689	A1 *	1/2019	Parsons	F21V 21/406
2019/0170337	A1	6/2019	Schlafer	
2020/0018449	A1	1/2020	Christensen	
2020/0400302	A1	12/2020	Zhu et al.	

FOREIGN PATENT DOCUMENTS

CN	304718569	7/2018
CN	304830674	9/2018
CN	305190490	5/2019
CN	305246246	7/2019
CN	305318325	8/2019
CN	305525587	12/2019
CN	306364372	3/2021
CN	306780377	8/2021
EM	001176739-0001	11/2009
EM	002536789-0001	9/2014
EM	006496618-0001	5/2019
GB	5000659	11/2015
JP	D1424946	9/2011
KR	301066130.0000	7/2020
WO	WO 2004/083714 A1	9/2004

OTHER PUBLICATIONS

LED Tactical Flashlight. By Eveready. Dated Apr. 16, 2021. Found online [Jan. 13, 2022]. <https://www.amazon.com/Eveready-Rechargeable-Flashlight-Aluminum-Resistant/dp/B092RkW6G7> (Year: 2021).

Morpilot Rechargeable LED Flashlight. By morpilot. Dated Apr. 2, 2021. Found online [Jan. 13, 2022]. <https://www.amazon.com/morpilot-Rechargeable-Flashlights-Flashlight-Ennergencies/dp/B091LLDSDK> (Year: 2021).

Olight Seeker 3 Pro 4200 Lumens Ultra Bright Floodlight Flashlight. By Olight. Dated Oct. 11, 2021. Found online [Jan. 13, 2022]. <https://www.amazon.com/dp/B09FJM4LDP?> (Year: 2021).

Rechargeable Flashlight. By Karrong. Dated May 18, 2019. Found online [Jan. 13, 2022]. <https://www.amazon.com/dp/B07RZCP692/?tag=ghtrx25-20&th=1> (Year: 2019).

“Energizer Rubber LED Flashlight,” Jun. 26, 2012, amazon.com, site visited Jul. 29, 2021, URL: https://www.amazon.com/Energizer-2AA-Rubber-Flashlight-Black/dp/B003USM3AE/ref=sr_1_56?dchild=1&keywords=energizer%2Bflashlight&qid=1627591447&sr=8-56&th=1 (Year: 2012).

Energizer T1000 LED Tactical Flashlights, Bright 1000 High Lumens, Heavy Duty Water Resistant Flashlight for Emergency, Survival Kit, Camping Gear, Choose AA Battery or USB Rechargeable, [Amazon.com, online shopping], Jul. 26, 2021, [retrieved Dec. 27, 2021], retrieved from the Internet <URL: https://www.amazon.com/Energizer-Flashlight-Accessories-Ultra-Durable-Flashlights/dp/B07RX1W7W7/ref=sr_1_9?keywords=energizer%2Bflashlights&qid=1637739592&sr=8-9&th=1> (10 pages).

Energizer Eveready DLAH41 Dolphin 2-in-1 Emergency Light, [Self Fix DIY, online shopping], [retrieved Jan. 11, 2022], retrieved from the Internet <URL: <https://selffix.com/product/energizer-eveready-dlah41-dolphin-2-in-1-emergency-light/>> (8 pages).

“Dorcy 4 LED Carabineer Waterproof Flashlight,” Nov. 17, 2016, kmart.com, site visited Jun. 24, 2021, URL: <https://www.kmart.com/dorcy-4-led-carabineer-waterproof-flashlight/p-03493785000P> (Year: 2016), 8 pages.

“Energizer TouchTech Fashlight,” Apr. 14, 2017, youtube.com, site visited Jun. 24, 2021, URL: <https://www.youtube.com/watch?v=o9LIBh18Di8> (Year: 2017), 1 page.

“Lumen Penlight,” Jun. 8, 2018 (review), amsterdamprinting.com, site visited Jul. 14, 2021, URL: <https://www.amsterdamprinting.com/p/lumen-penlight?id=43984#pdreviews> (Year: 2018), 6 pages.

“Stylus Pen,” Aug. 23, 2017, amazon.com, site visited Jul. 14, 2021, URL: https://www.amazon.com/Multi-Function-Capacitive-Touchscreen-Flashlight-Multi-Color/dp/B07534MVYZ/ref=sr_1_44?dchild=1&keywords=ergonomic+pen+light&qid=1626350304&sr=8-44 (Year: 2017), 5 pages.

“White Light Tip Pen,” Nov. 13, 2014, amazon.com, site visited Jul. 14, 2021, URL: <https://www.amazon.com/White-Light-Tip-Pen-LED/dp/B006IWU48W> (Year: 2014), 3 pages.

amazon.com: Energizer LED Pen Light. Date uploaded: Jan. 13, 2020 [site visited Sep. 24, 2020]. Retrieved from internet: <<https://www.annazon.com/dp/B083T6C7DK?tag=price17305-20&ascsubtag=wtbs5f6cda009bce145cf8b6287b>> (Year: 2020).

ebay.com: Energizer LED Pen Light, Aircraft-Grade Aluminum Body. Undated online product page. Retrieved on Sep. 24, 2020 from <<https://www.ebay.com/i/124250146708?chn-ps&norover=1&nnkevt=1&nnkrid=711-117182-37290-0&nnkcid=2&itennid=124250146708&targetid=935694488066&device=...>> (Year: 2020).

Energizer Hard Case Professional Light, [online], [site visited Nov. 13, 2020], [Available from Internet], URL: <<https://www.annazon.com/dp/B000R8J8CQ?ref=aststo&th=1&psc=1>>5 pages (Year: 2007).

energizer.com: Performance Metal Inspection Light. Undated online product page. Retrieved on Sep. 24, 2020 from <<https://www.energizer.com/flashlights-lighting/energizer-performance-metal-inspection-light>> (Year: 2020).

amazon.com, “Eveready LED Economy 1D Size Flashlight with Battery (2 Pack)”, 8 pages, [retrieved from the Internet Feb. 1, 2021] <URL: <https://www.amazon.com/Eveready-Economy-Size-Flashlight-Battery/dp/B004PZPB2I>>.

doitbest.com, “Energizer 400 Lm. LED 2AA Flashlight”, 3 pages [retrieved from the Internet Sep. 24, 2020] <URL: <https://www.doitbest.com/shop/electrical/batteries-and-flashlights/flashlights-and-lanterns/led-flashlight/energizer-400-Inn-led-2aa-flashlight?SKU=802040>>.

gadgetworld2u.com, “Energizer TAC 1000 6AA Wool Tactical LED Flashlight PMHT61”, 8 pages, [retrieved from the Internet Feb. 1, 2021] <URL: <https://www.gadgetworld2u.com/energizer-tac-1000-6aa-10001-led-flashlight-pmht61>>.

manualzz.com, “Energizer Product Sheet, LED Grip-It (2AA) GPHH21”, 2 pages, [retrieved from the Internet Feb. 1, 2021], <URL: <https://manualzz.com/doc/31285241/led-grip-it--2aa---energie-distribution>>.

(56)

References Cited

OTHER PUBLICATIONS

suntos.com.my, "Eveready One Led Light GPHH25 Included 2 X D Batteries", 15 pages, [retrieved from the Internet Feb. 1, 2021], <URL: http://Suntos.com.my/v_1/product/eveready-one-led-light-gphh25-included-2-x-d-batteries/?v=7516fd43adaa>.

"Coast HP1 190 Lumen Pure Beam Focusing LED Flashlight," Feb. 12, 2014, amazon.com, retrieved on Jun. 3, 2021, URL: https://www.amazon.com/COAST-Lumen-Pure-Focusing-Flashlight/dp/B00IEMUOWU/ref=sr_1_136?crd=21X2UPMAO4DEF&dchild=1&keywords=surefire+flashlights&qid=1622772444&srefix=surefire%2Caps%2C173&sr=8-136 (Year: 2014).

"Energizer LED Tactical Metal Flashlight," Apr. 4, 2019, amazon.com, retrieved on Jun. 4, 2021, URL: <https://www.amazon.com/Energizer-Tactical-Flashlight-Aircraft-Grade-Water-Resistant/dp/B07QD4X194> (Year: 2019).

"Streamlight 88065 Pro Tac," Feb. 11, 2017, amazon.com, retrieved on Jun. 3, 2021, URL: <https://www.amazon.com/Streamlight-88065-Professional-Flashlight-Rechargeable/dp/B06VTLLC13/> (Year: 2017).

Energizer Rechargeable Spotlight. By Energizer. Dated Aug. 5, 2021. Found online [Mar. 30, 2022]. <https://www.amazon.com/ENERGIZER-Rechargeable-Spotlight-Powerful-Resistant/dp/B09BZZ7XHL> (Year: 2021).

Energizer LED Tactical Flashlight. By Energizer. Dated Dec. 19, 2019. Found online [Mar. 30, 2022]. <https://www.amazon.com/Energizer-Flashlight-Resistant-Emergency-Batteries/dp/B082XXR78Z> (Year: 2019).

* cited by examiner

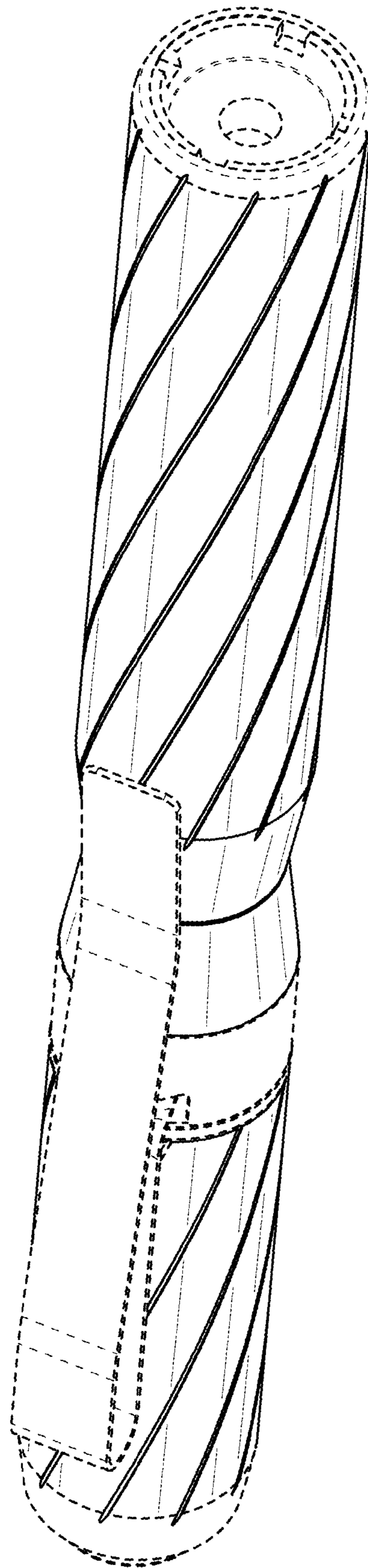


FIG. 1

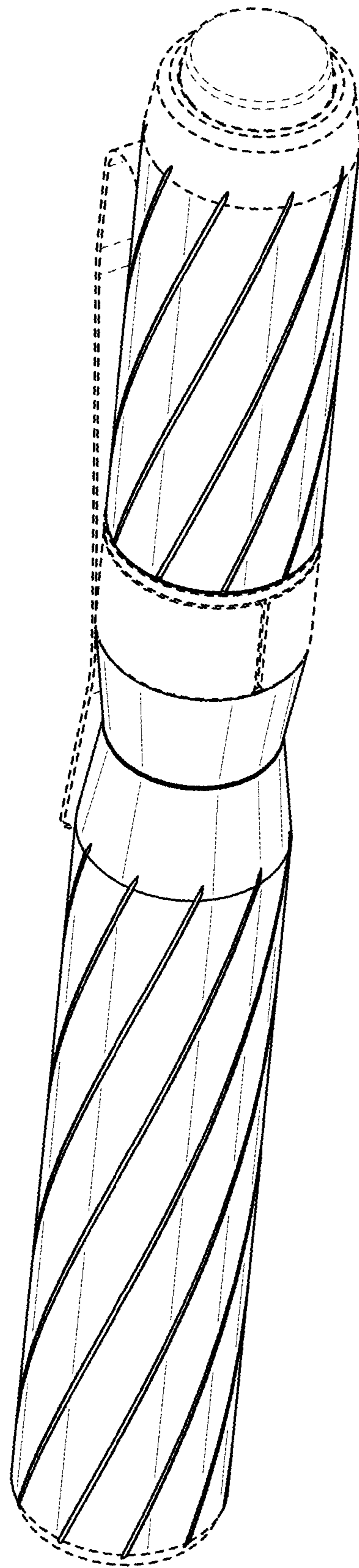


FIG. 2

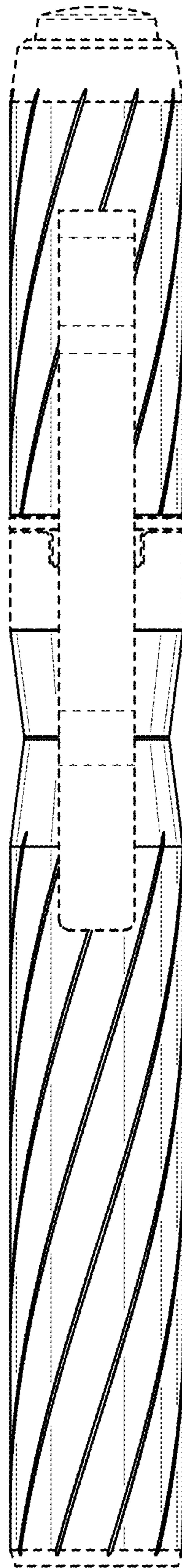


FIG. 3

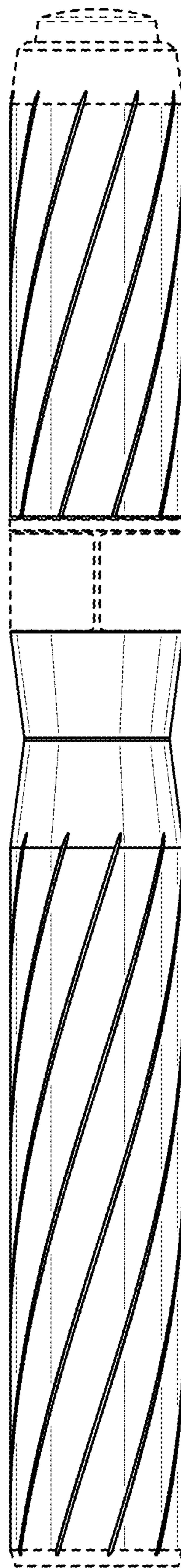


FIG. 4

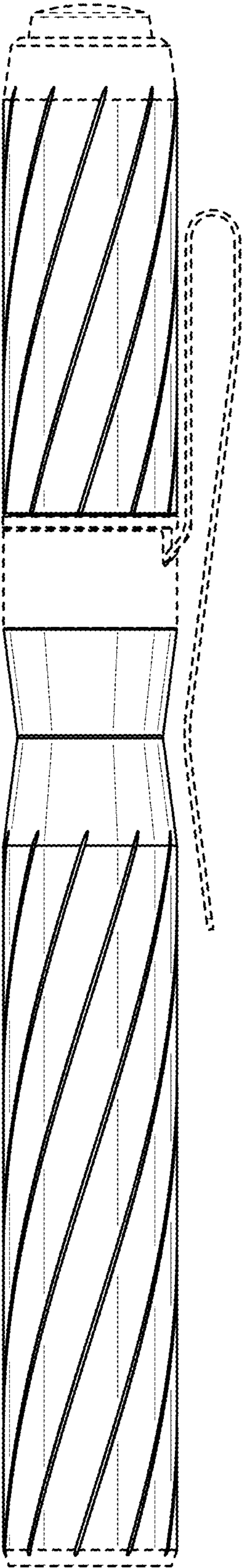


FIG. 5

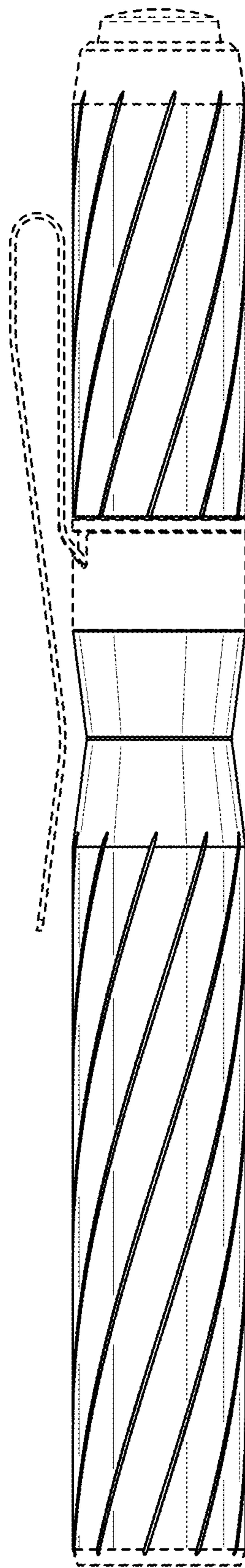


FIG. 6

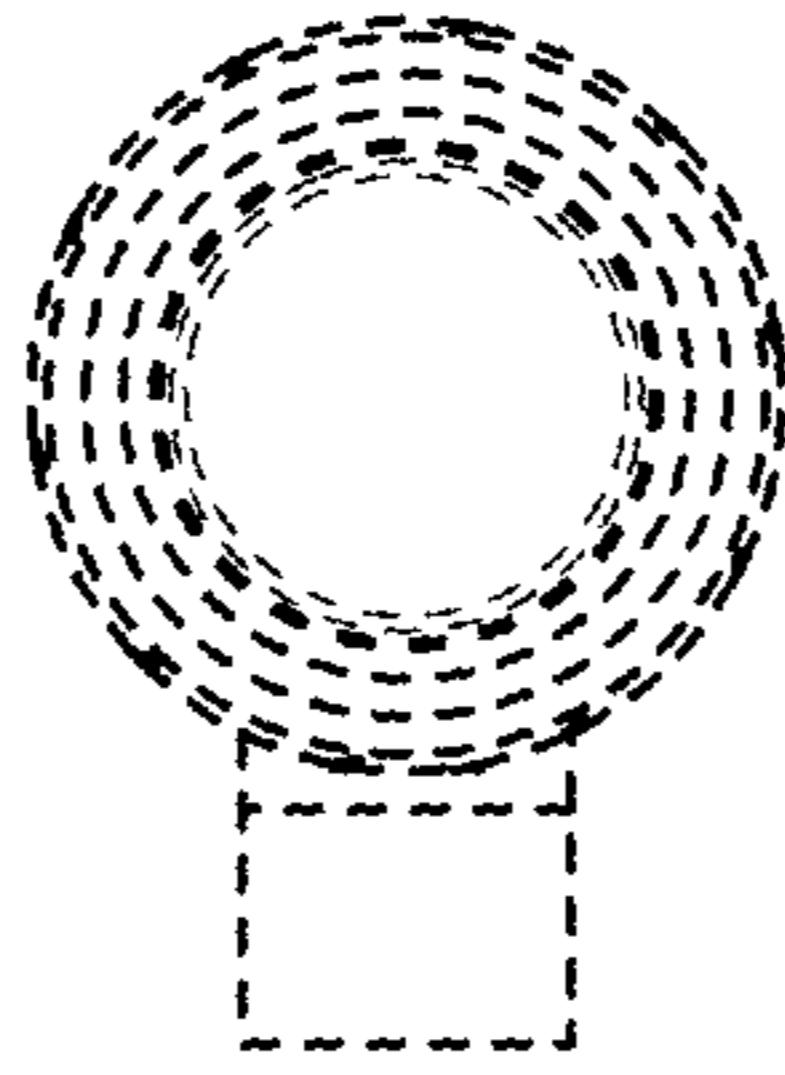


FIG. 7

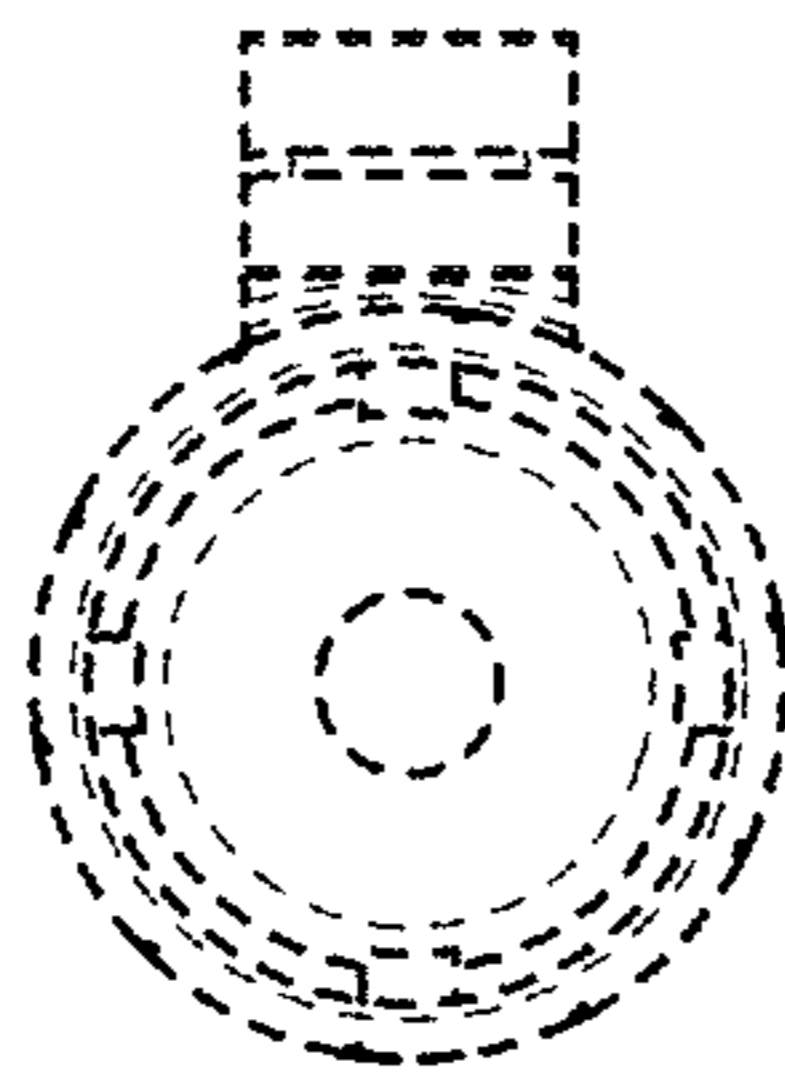


FIG. 8