



US00D982789S

(12) **United States Design Patent**  
**Finch**

(10) **Patent No.:** **US D982,789 S**

(45) **Date of Patent:** **\*\* Apr. 4, 2023**

(54) **OPERATIONAL ILLUMINATION DEVICE**

D854,717 S *	7/2019	Finch	.....	D26/60
D869,036 S *	12/2019	Brockie	.....	D26/60
D889,022 S *	6/2020	Zhang	.....	D26/106
D912,883 S *	3/2021	Zheng	.....	D26/110

(71) Applicant: **Brightz, Ltd.**, Ottawa Lake, MI (US)

(72) Inventor: **Ronald Finch**, Ottawa Lake, MI (US)

(73) Assignee: **BRIGHTZ LTD.**, Ottawa Lake, MI (US)

(\*\*) Term: **15 Years**

(21) Appl. No.: **29/751,496**

(22) Filed: **Sep. 22, 2020**

**Related U.S. Application Data**

(63) Continuation of application No. 29/598,930, filed on Mar. 29, 2017, now abandoned.

(51) **LOC (14) Cl.** ..... **26-02**

(52) **U.S. Cl.**  
USPC ..... **D26/37**

(58) **Field of Classification Search**  
USPC ..... D26/28, 37; D12/400  
CPC ..... F21L 4/027; F21L 15/14; F21L 2001/00;  
F21Y 2113/10; F21Y 2101/00  
See application file for complete search history.

(56) **References Cited**

**U.S. PATENT DOCUMENTS**

D573,026 S *	7/2008	Tsai	.....	D9/519
D689,221 S *	9/2013	Isaac	.....	D26/24
D755,051 S *	5/2016	Otani	.....	D9/504
D781,644 S *	3/2017	Timmermans	.....	D7/514
D814,686 S *	4/2018	Chen	.....	D26/110
D836,225 S *	12/2018	Finch	.....	D26/60
D844,205 S *	3/2019	Finch	.....	D14/204
D849,819 S *	5/2019	Cerda	.....	D16/225

**OTHER PUBLICATIONS**

Amazon | Brightz—CruzinBrightz Disco Party LED Bike Light, posted on Oct. 24, 2016, © 1996-2022, Amazon.com, Inc. [online], site visited Oct. 25, 2022]. Available from Internet, <URL: [https://www.amazon.com/Brightz-CruzinBrightz-Blinking-Tri-colored-Accessory/dp/B01M3TWHJU/ref=sr\\_1\\_1](https://www.amazon.com/Brightz-CruzinBrightz-Blinking-Tri-colored-Accessory/dp/B01M3TWHJU/ref=sr_1_1)> (Year: 2016).\*

\* cited by examiner

*Primary Examiner* — Cary M Robinson

*Assistant Examiner* — Julie Marie Bailey

(74) *Attorney, Agent, or Firm* — Dinsmore & Shohl LLP

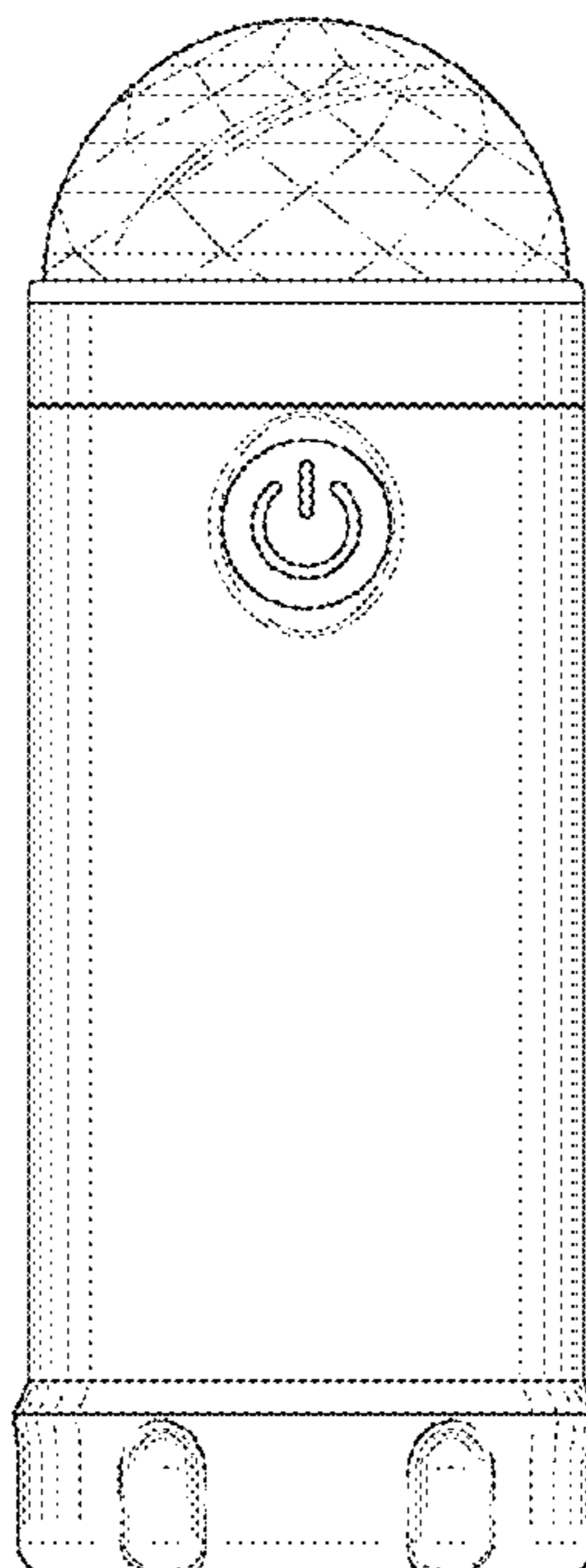
(57) **CLAIM**

The ornamental design for an operational illumination device, substantially as shown and described.

**DESCRIPTION**

FIG. 1 is a front view of an ornamental operational illumination device;  
FIG. 2 is a back view of an ornamental operational illumination device;  
FIG. 3 is a side view of an ornamental operational illumination device;  
FIG. 4 is a side view of an ornamental operational illumination device;  
FIG. 5 is a top view of an ornamental operational illumination device; and,  
FIG. 6 is a bottom view of an ornamental operational illumination device.

**1 Claim, 5 Drawing Sheets**



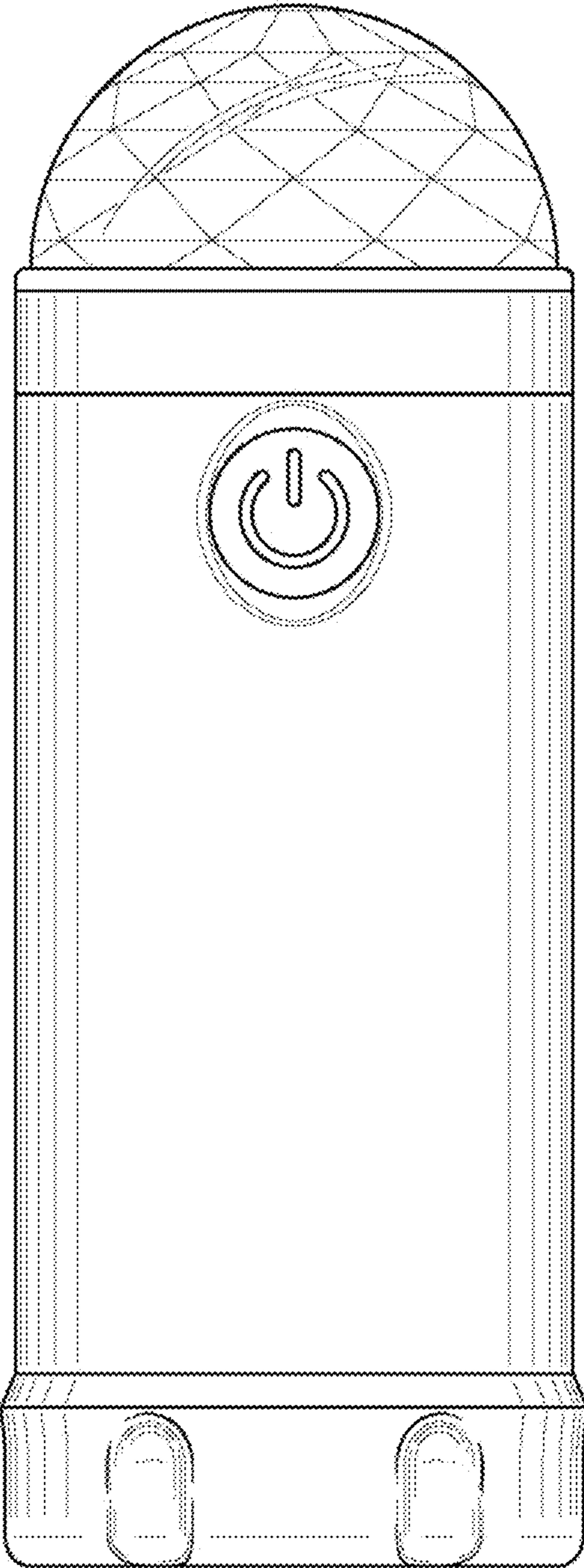


FIG. 1

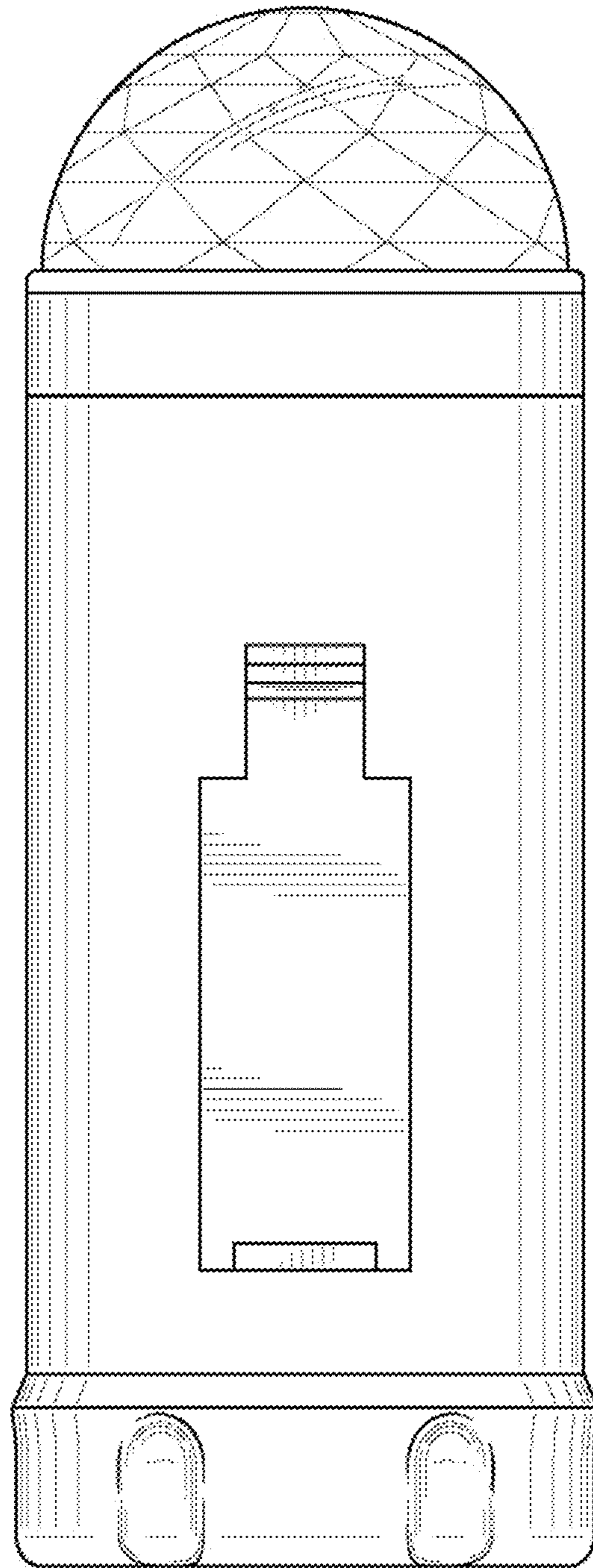


FIG. 2

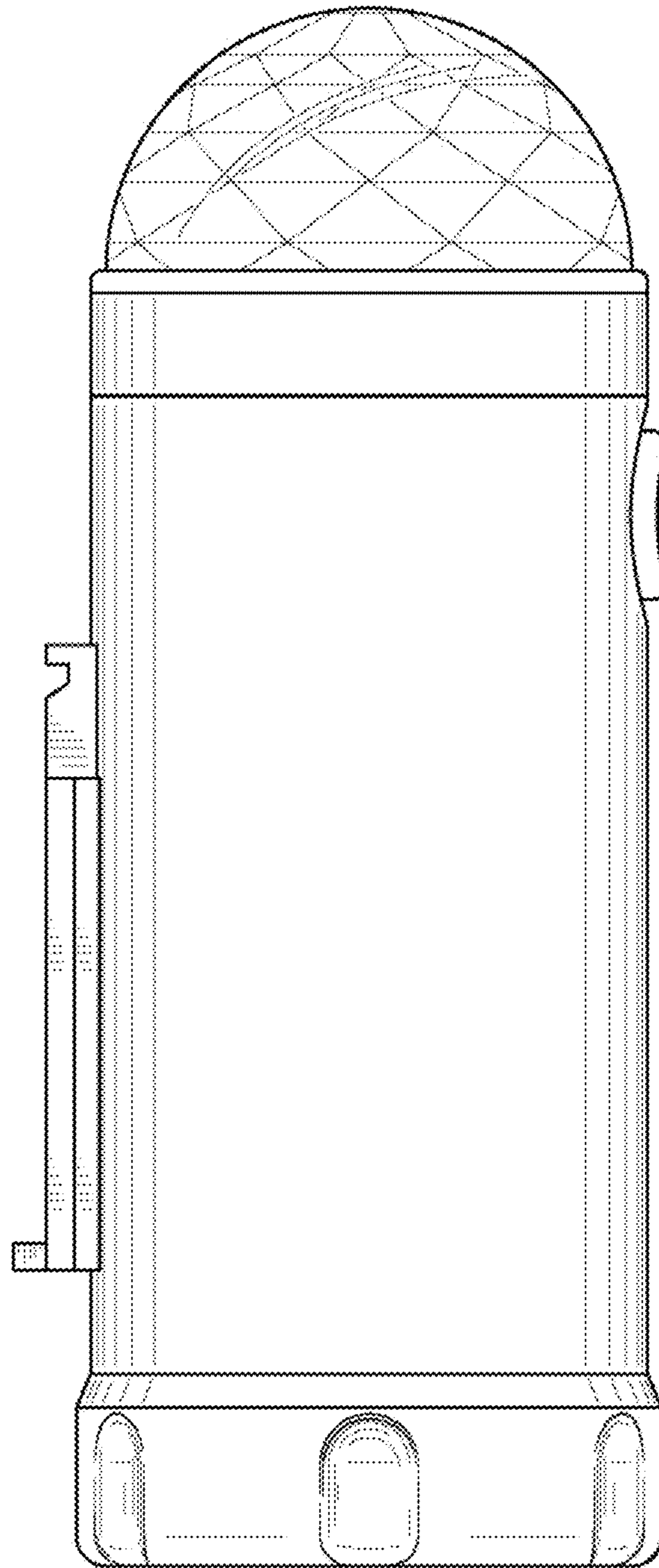


FIG. 3

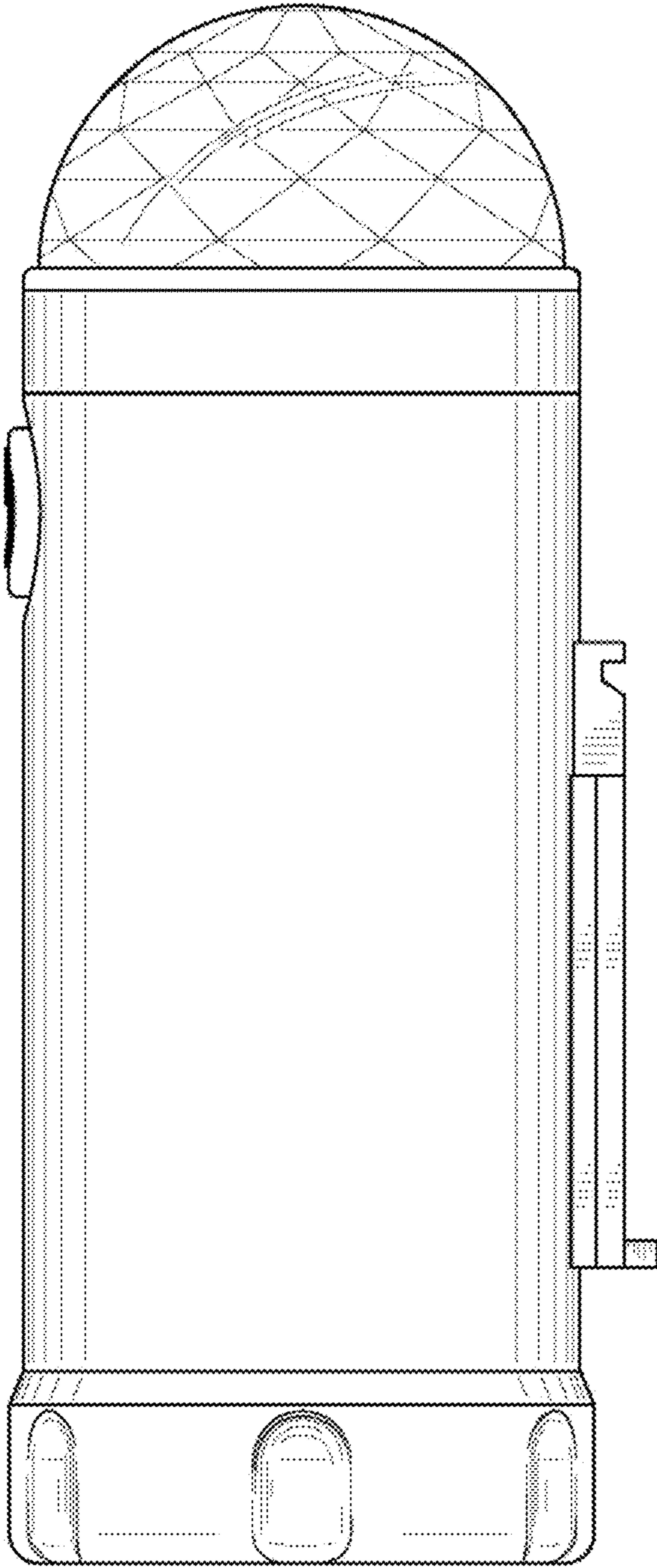


FIG. 4

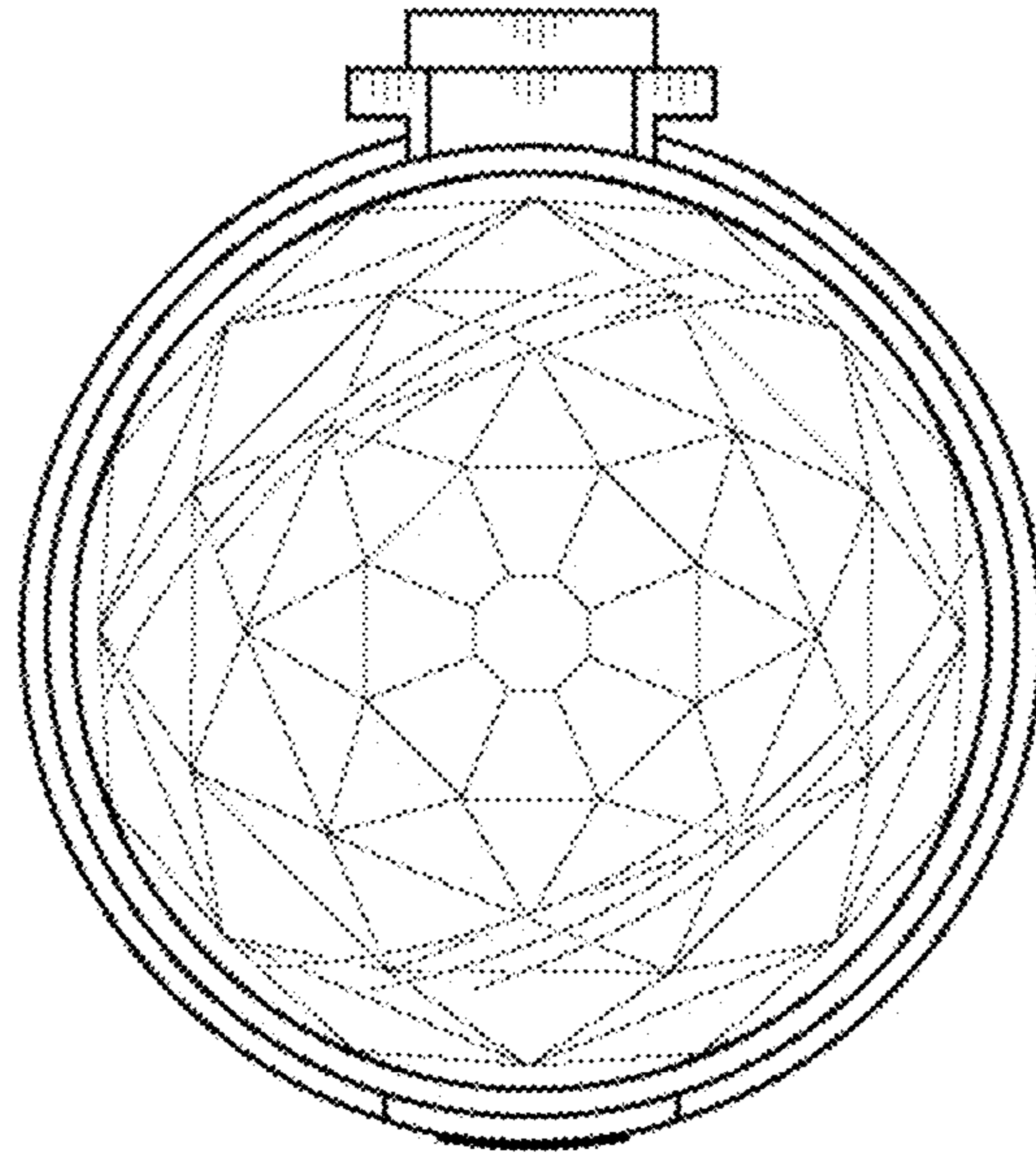


FIG. 5

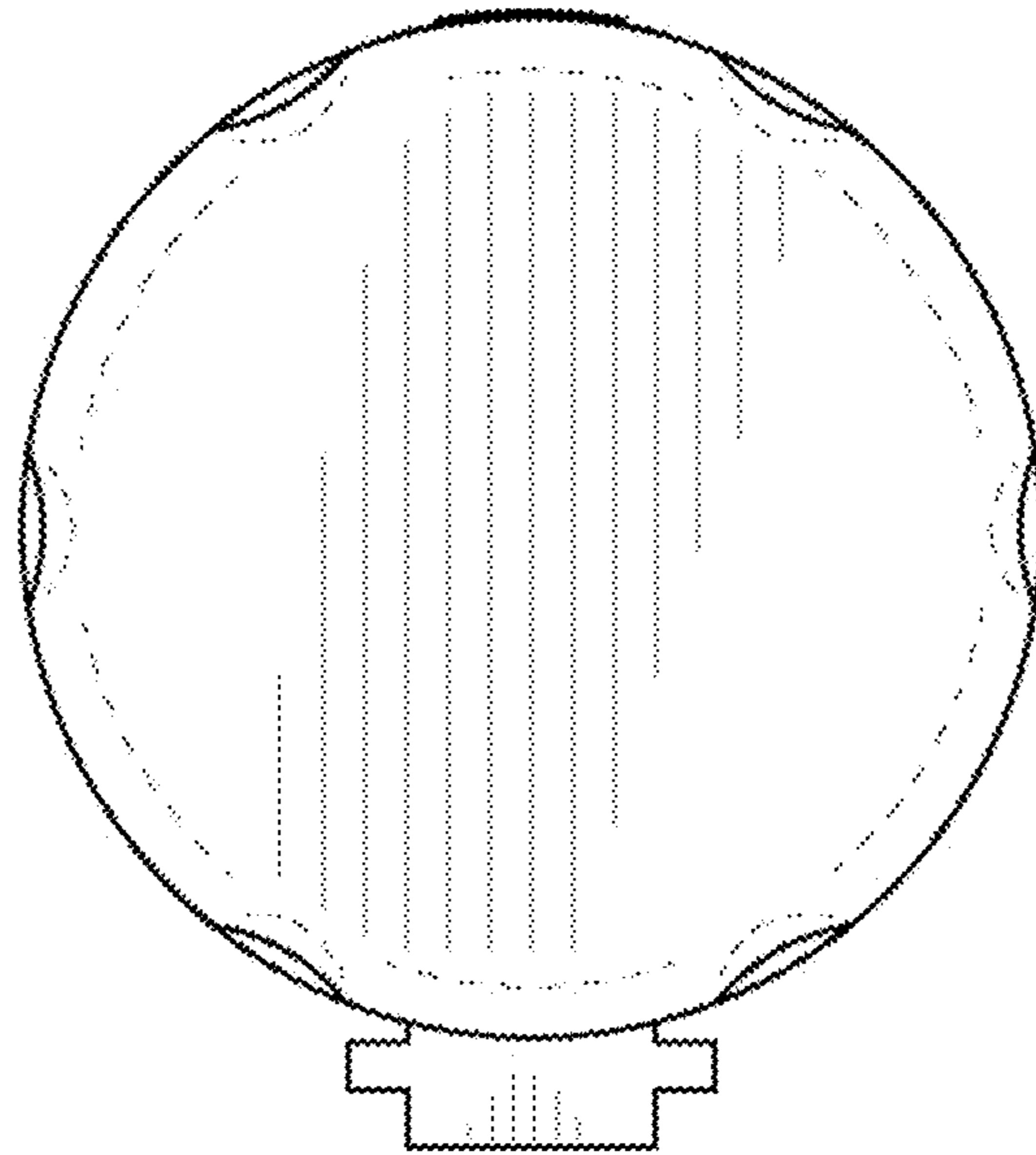


FIG. 6