



US00D982787S

(12) **United States Design Patent** (10) **Patent No.:** **US D982,787 S**
Akcaay (45) **Date of Patent:** **** Apr. 4, 2023**

(54) **VEHICLE HEADLIGHT**
(71) Applicant: **VOLKSWAGEN AKTIENGESELLSCHAFT**,
Wolfsburg (DE)
(72) Inventor: **Cihan Akcaay**, Wolfsburg (DE)
(73) Assignee: **VOLKSWAGEN AKTIENGESELLSCHAFT**,
Wolfsburg (DE)
(**) Term: **15 Years**
(21) Appl. No.: **29/811,293**
(22) Filed: **Oct. 13, 2021**
(51) **LOC (14) Cl.** **26-06**
(52) **U.S. Cl.**
USPC **D26/28**
(58) **Field of Classification Search**
USPC D26/28, 29, 30, 31, 32, 33, 34, 35, 36,
D26/139
CPC F21S 41/00; F21S 41/141; F21S 41/162;
F21S 41/18; F21S 41/20; F21S 41/33;
F21S 41/36; F21S 41/60; F21S 43/00;
F21W 2103/35; F21W 2103/40; F21W
2102/17; F21W 2102/30; F21W 2103/00;
F21W 2103/55; F21W 2104/00; F21W
2107/17; F21W 2107/13
See application file for complete search history.

D964,611 S * 9/2022 Akojima D26/28
D966,577 S * 10/2022 Thomas D26/28
D966,580 S * 10/2022 Mueller-Stolz D26/28
D967,993 S * 10/2022 Tovey D26/28

FOREIGN PATENT DOCUMENTS

WO DM206354 2/2020

* cited by examiner

Primary Examiner — Angela J Lee

(74) *Attorney, Agent, or Firm* — Lucas & Mercanti, LLP;
Klaus P. Stoffel

(57) **CLAIM**

The ornamental design for a vehicle headlight, as shown and described.

DESCRIPTION

FIG. 1 is a front and top perspective view of a first embodiment of the vehicle headlight showing the present design;
FIG. 2 is a right side view thereof;
FIG. 3 is a left side view thereof;
FIG. 4 is a front view thereof;
FIG. 5 is a top view thereof;
FIG. 6 is a bottom view thereof;
FIG. 7 is a right side perspective view thereof;
FIG. 8 is a rear view thereof;
FIG. 9 is a front and top perspective view of a second embodiment of the vehicle headlight showing the present design, the second embodiment being a mirror image of the first embodiment;
FIG. 10 is a left side view thereof;
FIG. 11 is a right side view thereof;
FIG. 12 is a front view thereof;
FIG. 13 is a top view thereof;
FIG. 14 is a bottom view thereof;
FIG. 15 is a left side perspective view thereof; and,
FIG. 16 is a rear view thereof.

(56) **References Cited**

U.S. PATENT DOCUMENTS

D838,015 S * 1/2019 McMahan D26/28
D866,820 S * 11/2019 Munakata D26/28
D891,652 S * 7/2020 Metros D26/28
D929,000 S * 8/2021 Wu D26/28
D940,924 S * 1/2022 Miyazawa D26/28
D950,785 S * 5/2022 Datta D26/28
D963,906 S * 9/2022 Chen D26/28

1 Claim, 10 Drawing Sheets

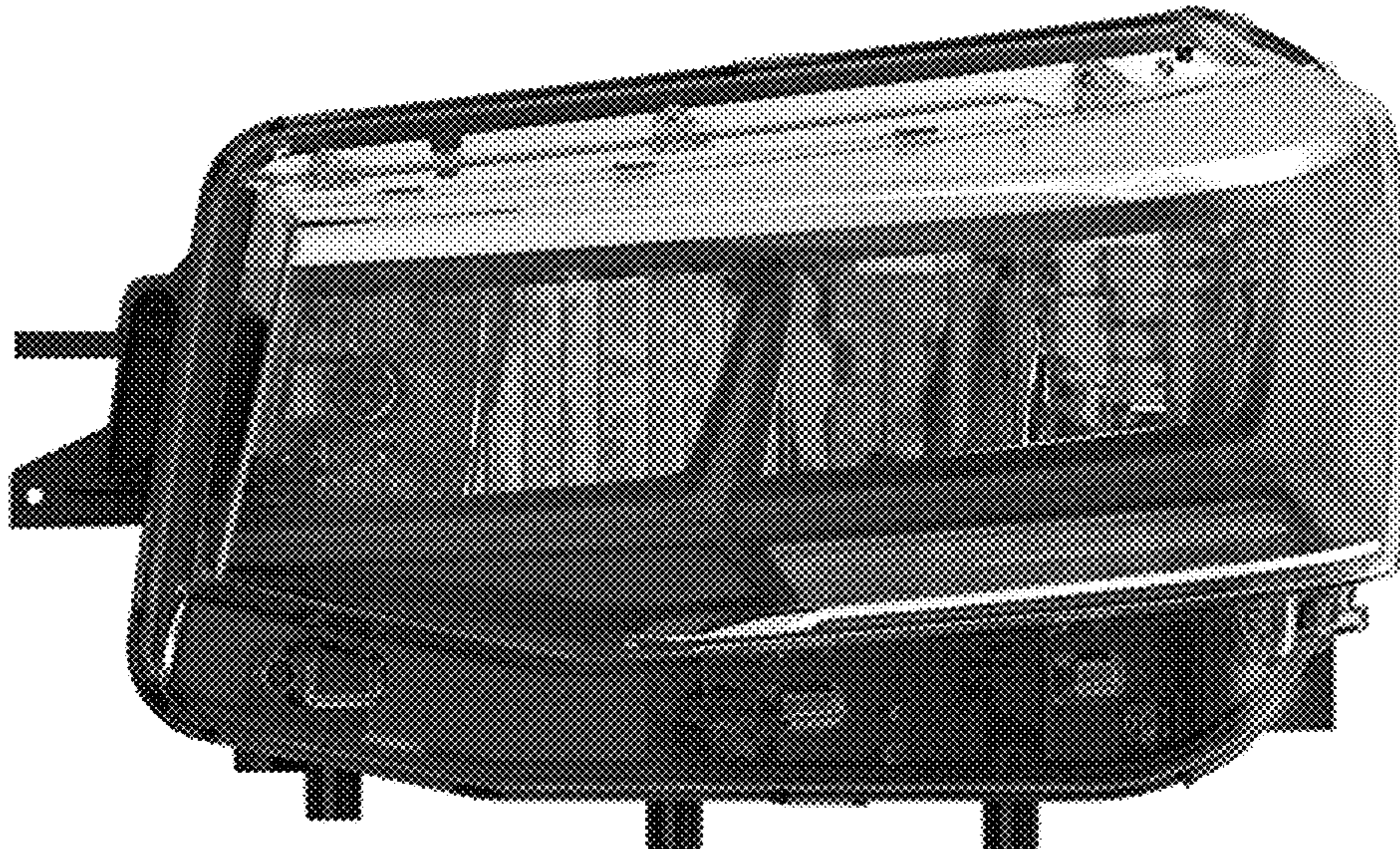




Fig. 1



Fig. 2

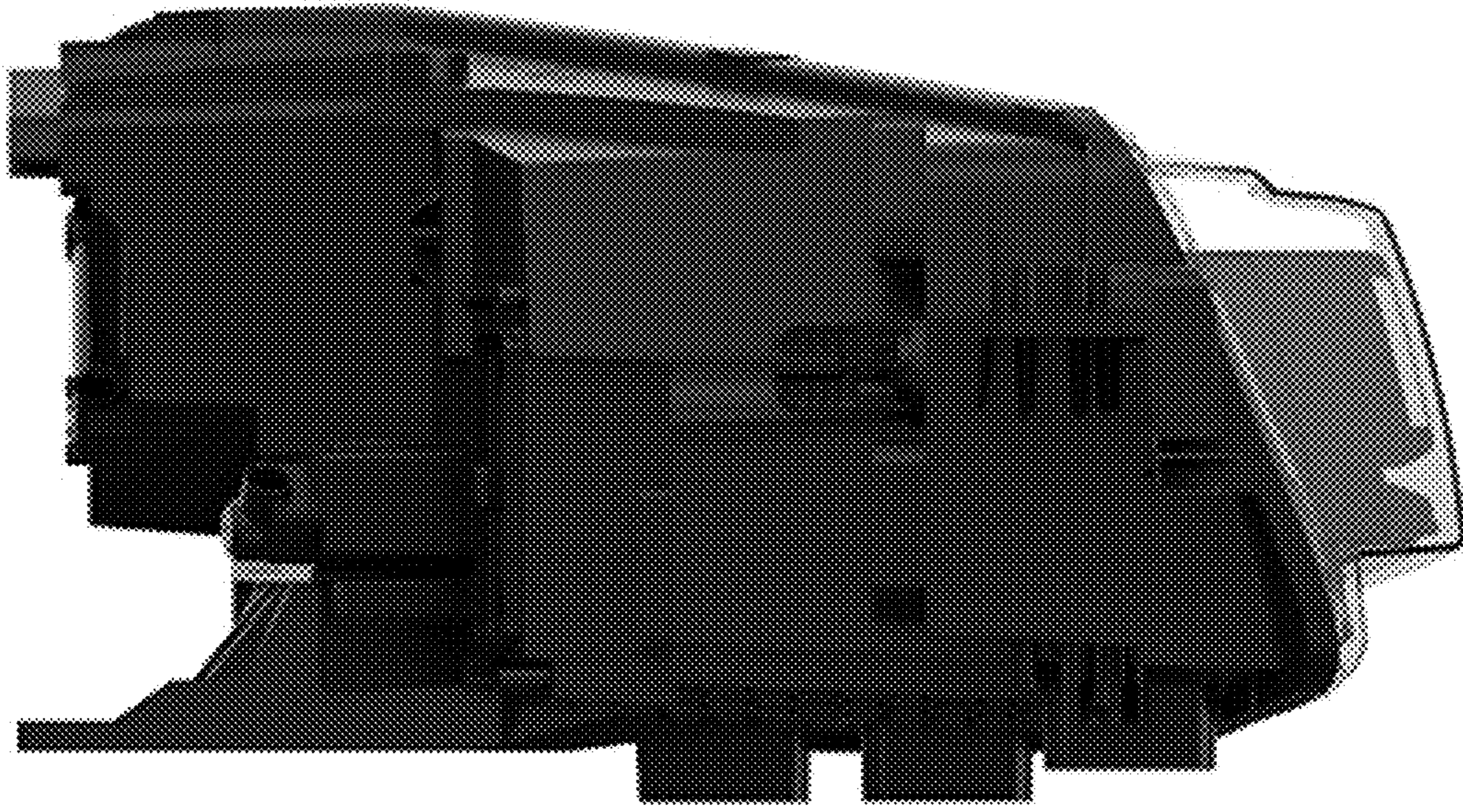


Fig. 3



Fig. 4



Fig. 5

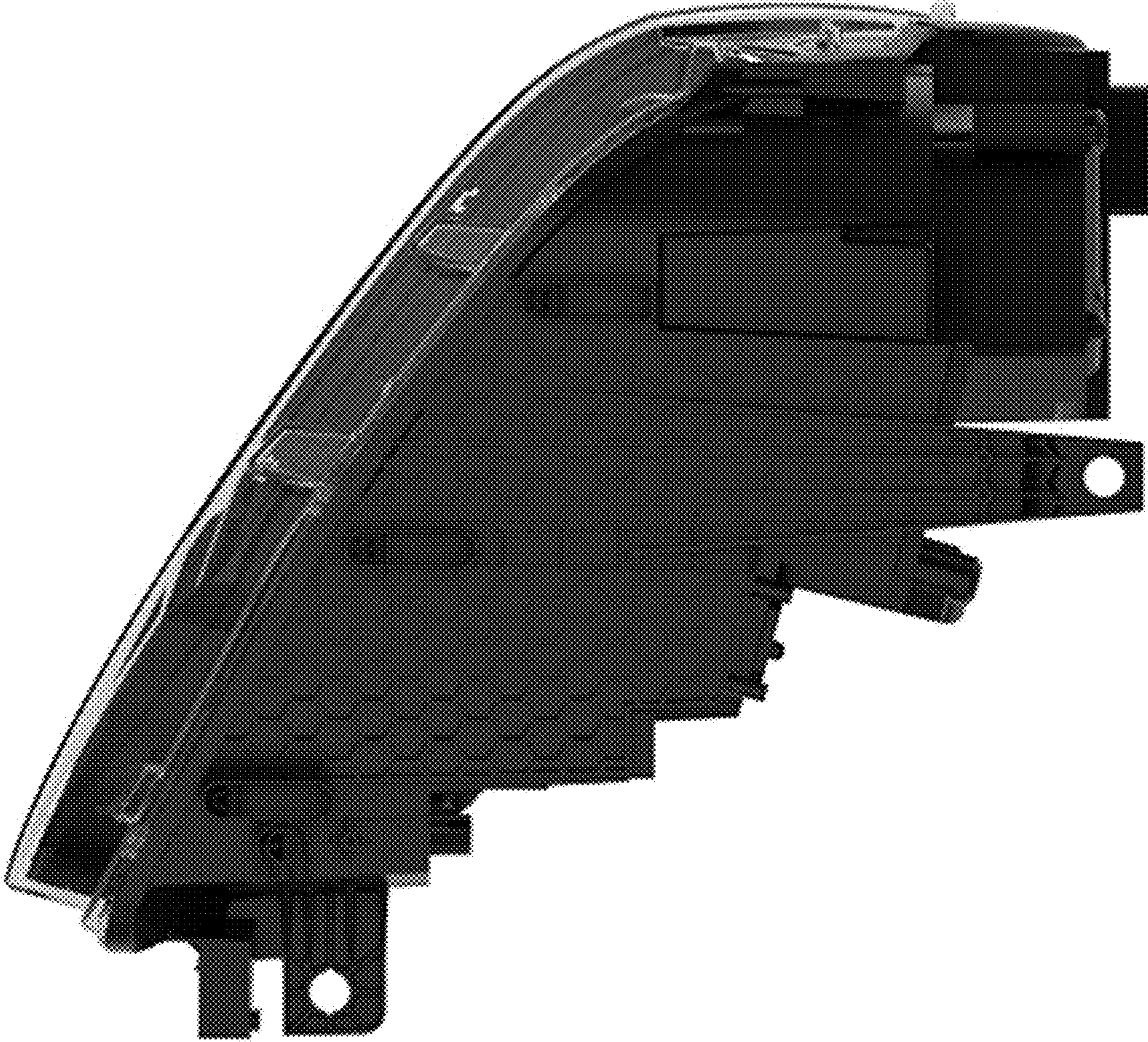


Fig. 6

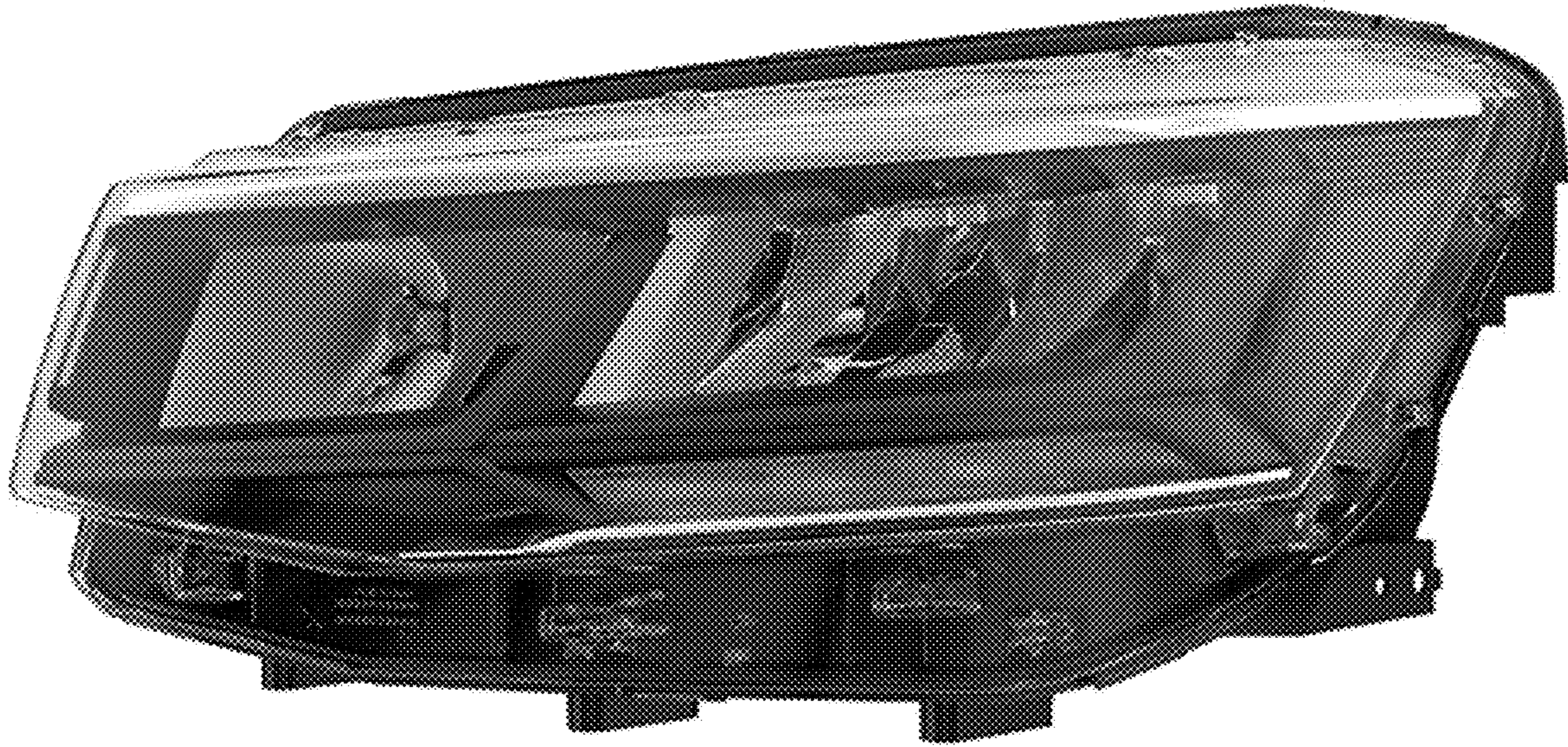


Fig. 7

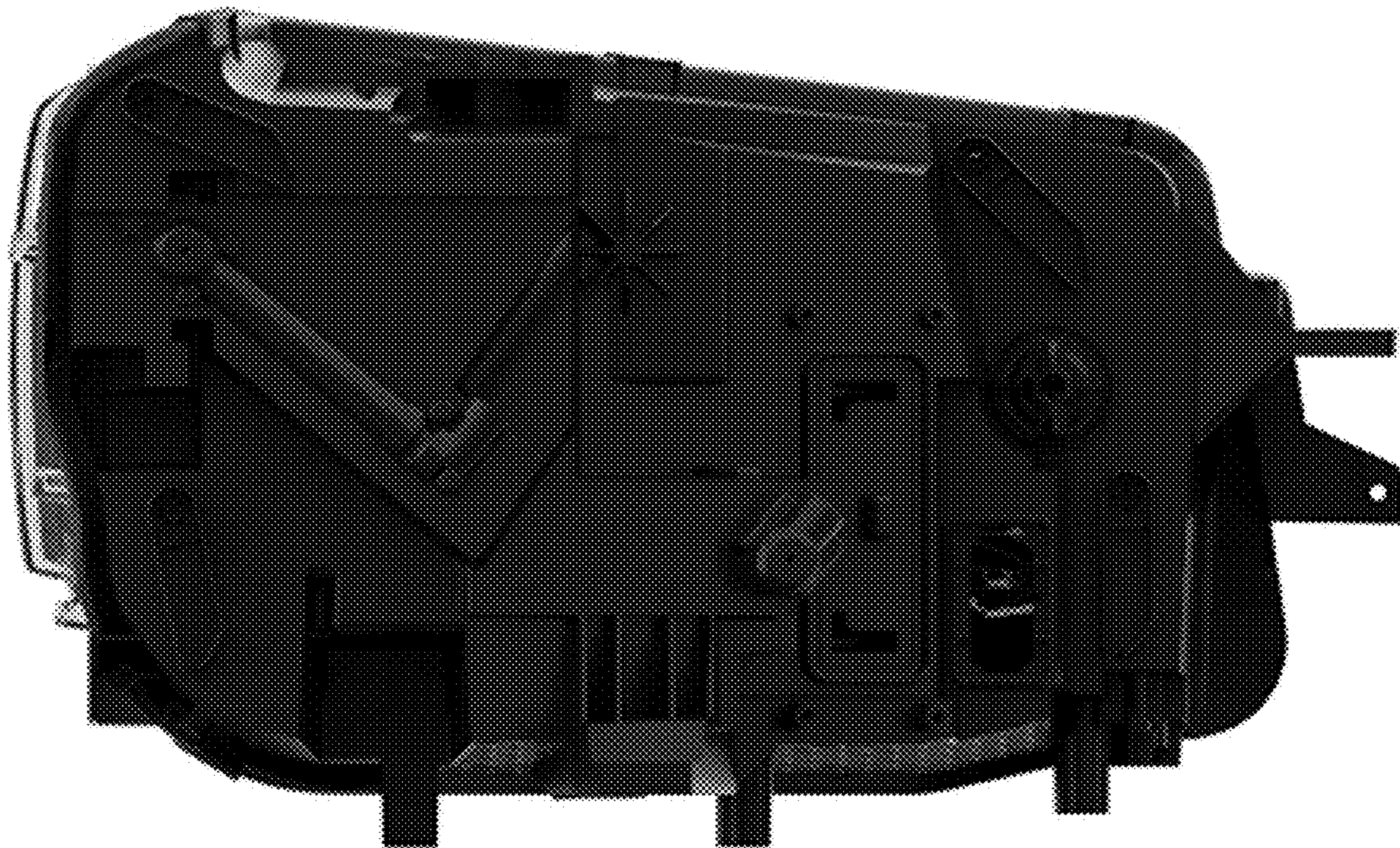


Fig. 8



Fig. 9

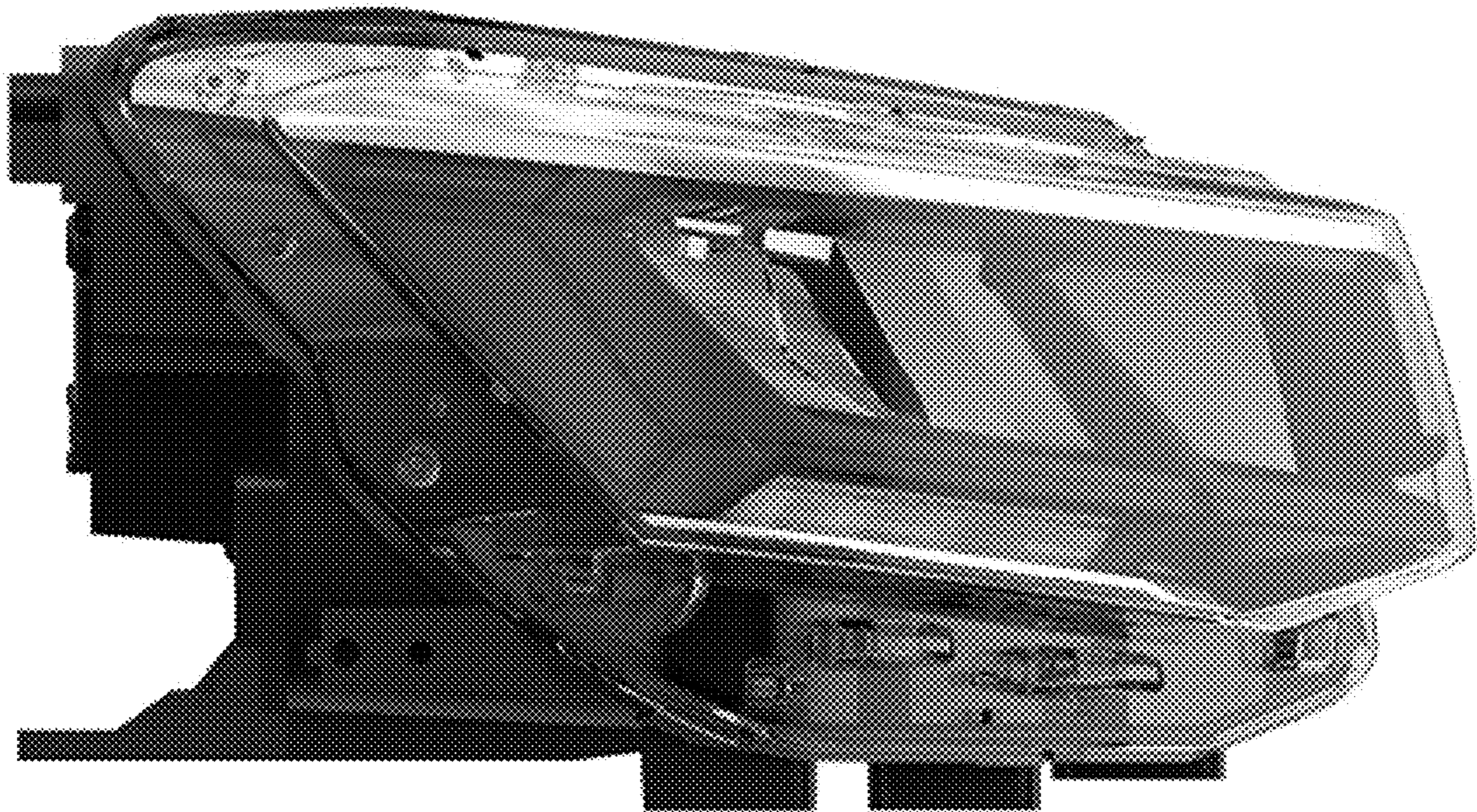


Fig. 10

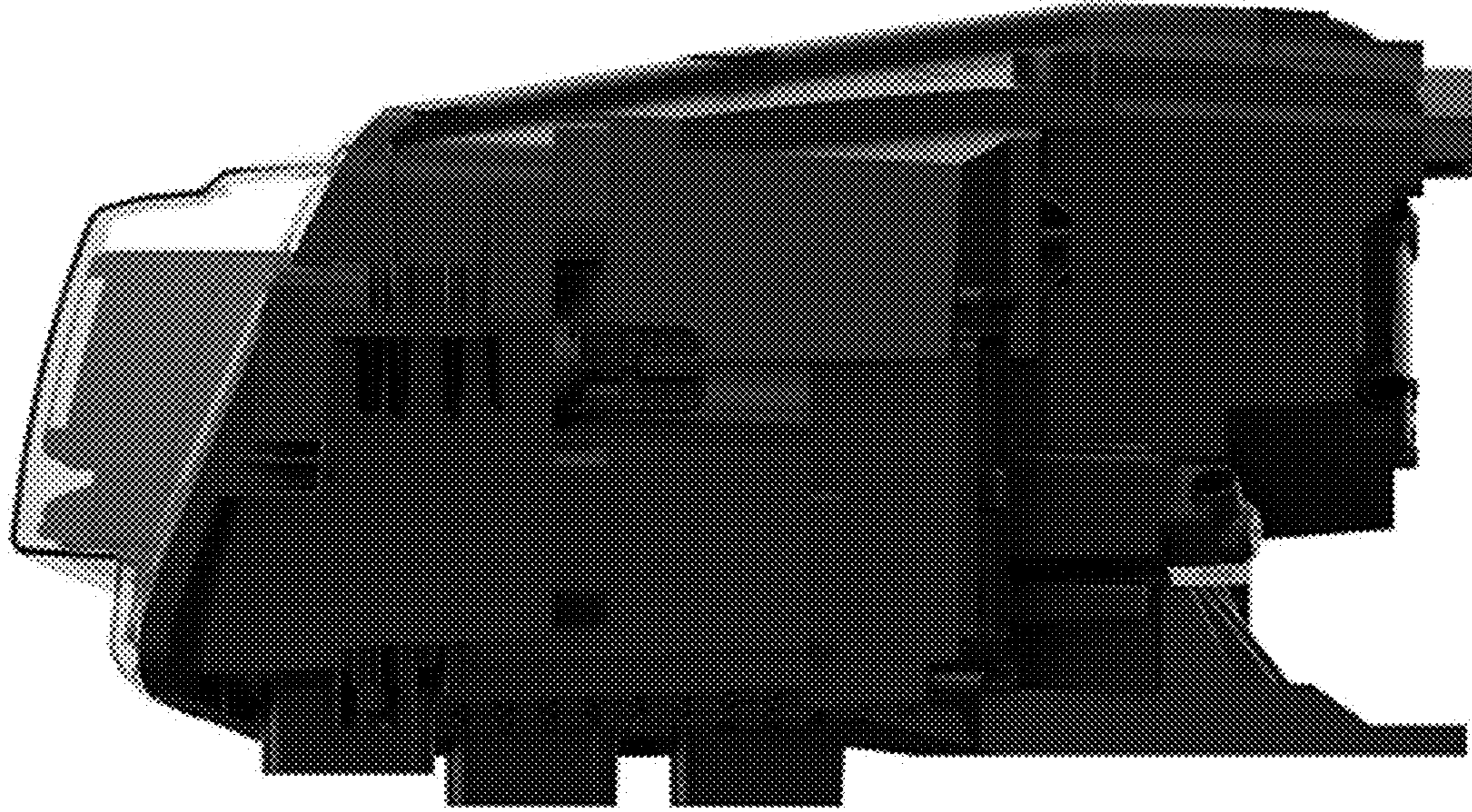


Fig. 11



Fig. 12



Fig. 13

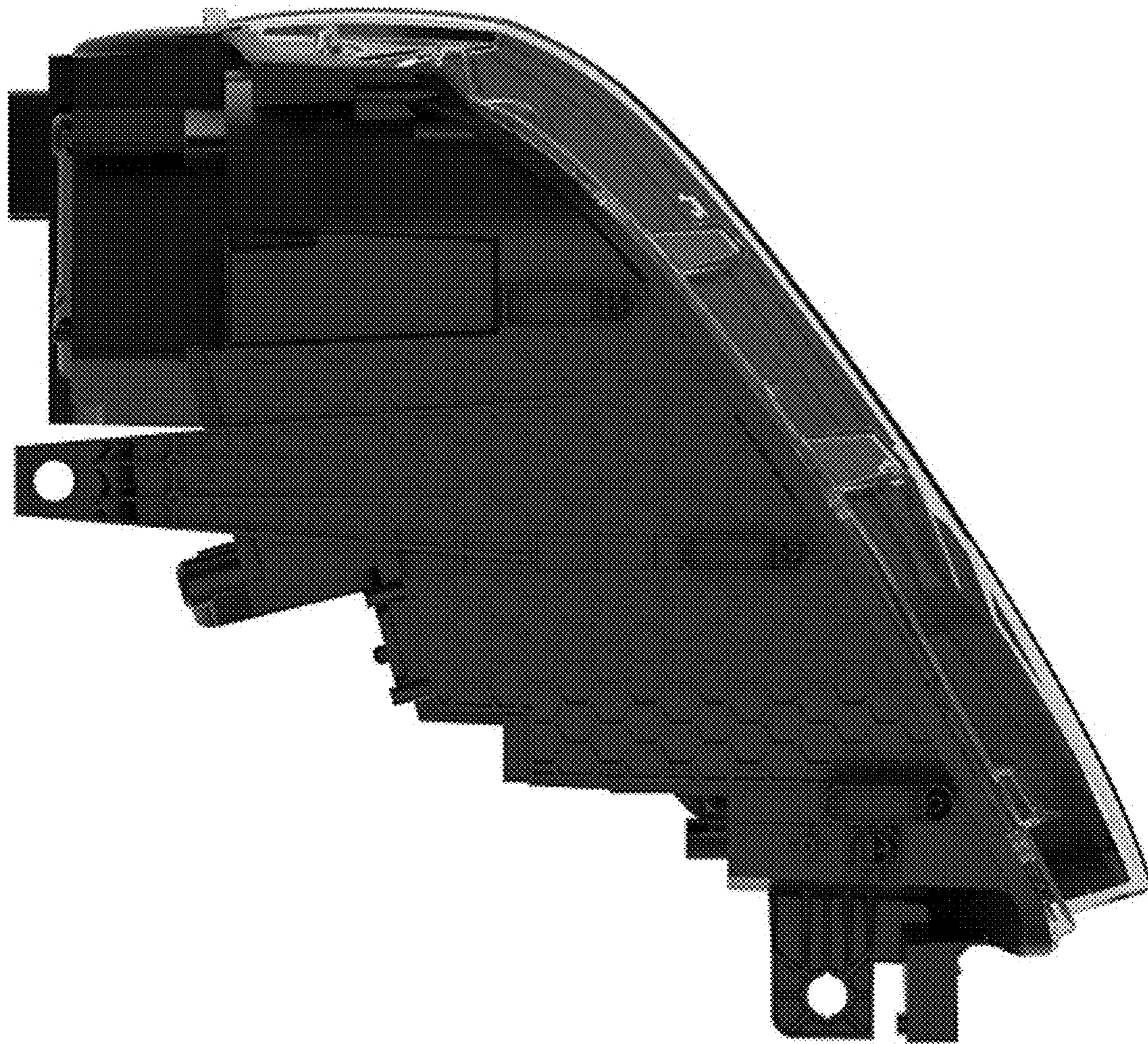


Fig. 14



Fig. 15

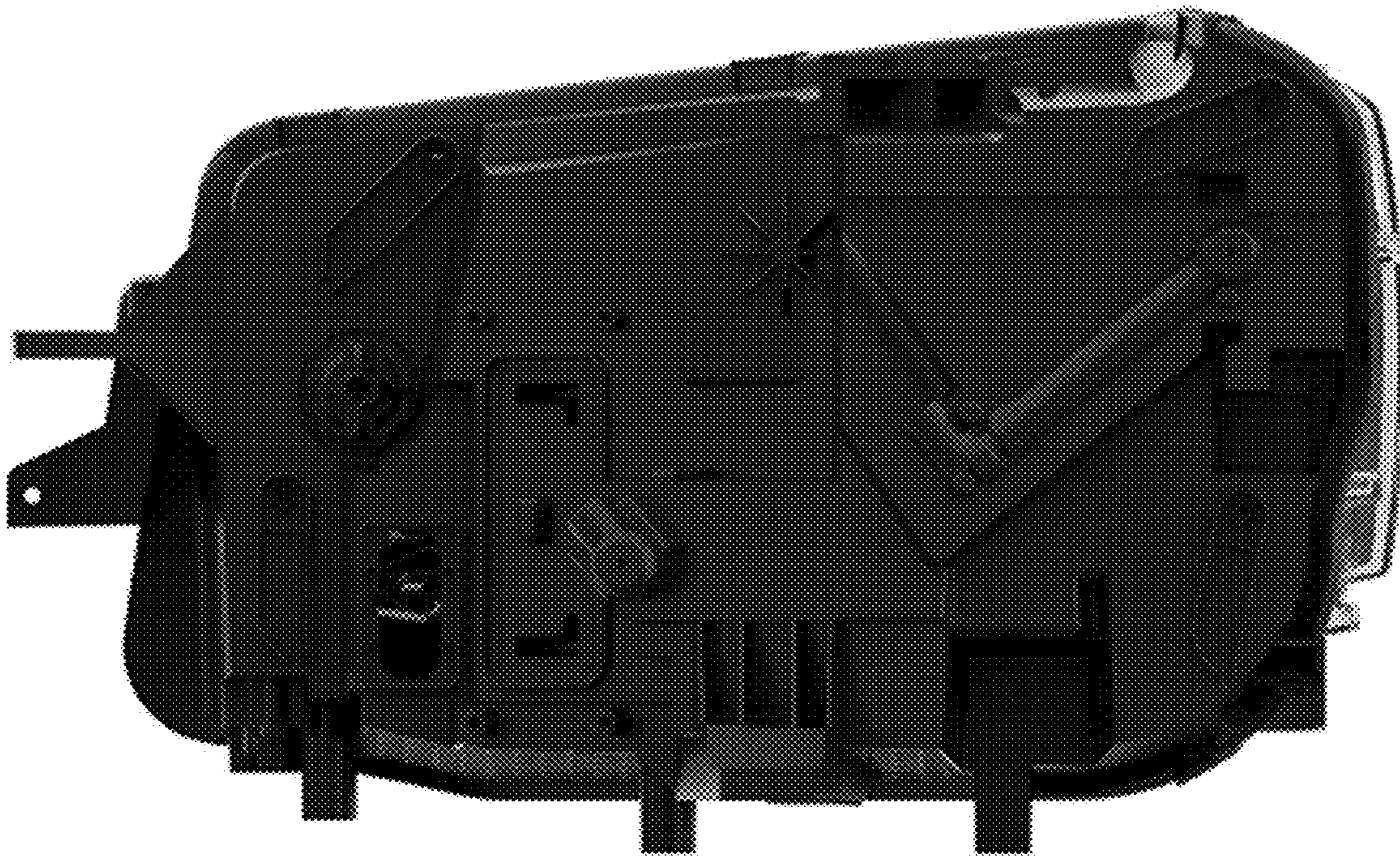


Fig. 16