



US00D982784S

(12) **United States Design Patent**  
**Wang**

(10) **Patent No.:** **US D982,784 S**  
(45) **Date of Patent:** **\*\* Apr. 4, 2023**

(54) **DECORATION LIGHT**

(71) Applicant: **Yan Wang**, Yingshan (CN)  
(72) Inventor: **Yan Wang**, Yingshan (CN)  
(\*\*) Term: **15 Years**  
(21) Appl. No.: **29/770,168**

(22) Filed: **Feb. 10, 2021**  
(51) **LOC (14) Cl.** ..... **26-04**  
(52) **U.S. Cl.**  
USPC ..... **D26/25**  
(58) **Field of Classification Search**  
USPC ..... D26/1, 2, 4, 24, 25, 27, 57, 61, 67, 73,  
D26/94, 98, 103, 110, 119, 128;  
D11/117, 121, 130  
CPC ..... F21S 4/00; F21S 4/10; F21S 4/15; F21S  
4/20; F21S 4/22; F21S 4/24; F21S 4/26;  
F21W 2121/00; F21W 2121/04; F21W  
2131/109  
See application file for complete search history.

(56) **References Cited**

<b>U.S. PATENT DOCUMENTS</b>			
D61,088 S *	6/1922	Debnam, Jr.	D23/332
D77,118 S *	12/1928	Niebel	D26/2
D81,532 S *	7/1930	Gosling	D26/88
D656,664 S *	3/2012	Son	D26/118
D796,731 S *	9/2017	Sonneman	D26/128
D855,872 S *	8/2019	Lan	D26/119
D890,972 S *	7/2020	Holmes	D26/59
D917,740 S *	4/2021	Lan	D26/25
2002/0136008 A1 *	9/2002	Frei	F21S 6/001 362/249.01
2014/0340903 A1 *	11/2014	Mahr	F21V 23/001 362/249.08
2019/0341718 A1 *	11/2019	Yu	F21V 21/096

**OTHER PUBLICATIONS**

“CozyHome” reference by Leharo on Amazon.com, date first available Sep. 28, 2020 [online], site visited Jul. 7, 2022, available from internet URL: <https://www.amazon.com/CozyHome-Lantern-Outdoor-Operated-Lanterns/dp/B08JQM661T> (Year: 2020).\*  
“Johnathan” reference by Amazon.com, date first available Jun. 16, 2020 [online], site visited Jul. 7, 2022, available from internet URL: <https://www.amazon.com/JONATHAN-JYL8703A-Farmhouse-Incandescent-Backyard/dp/B099FHKF9C> (Year: 2020).\*

\* cited by examiner

*Primary Examiner* — Marissa J Cash  
*Assistant Examiner* — Liv C Anderson  
(74) *Attorney, Agent, or Firm* — Rumit Ranjit Kanakia

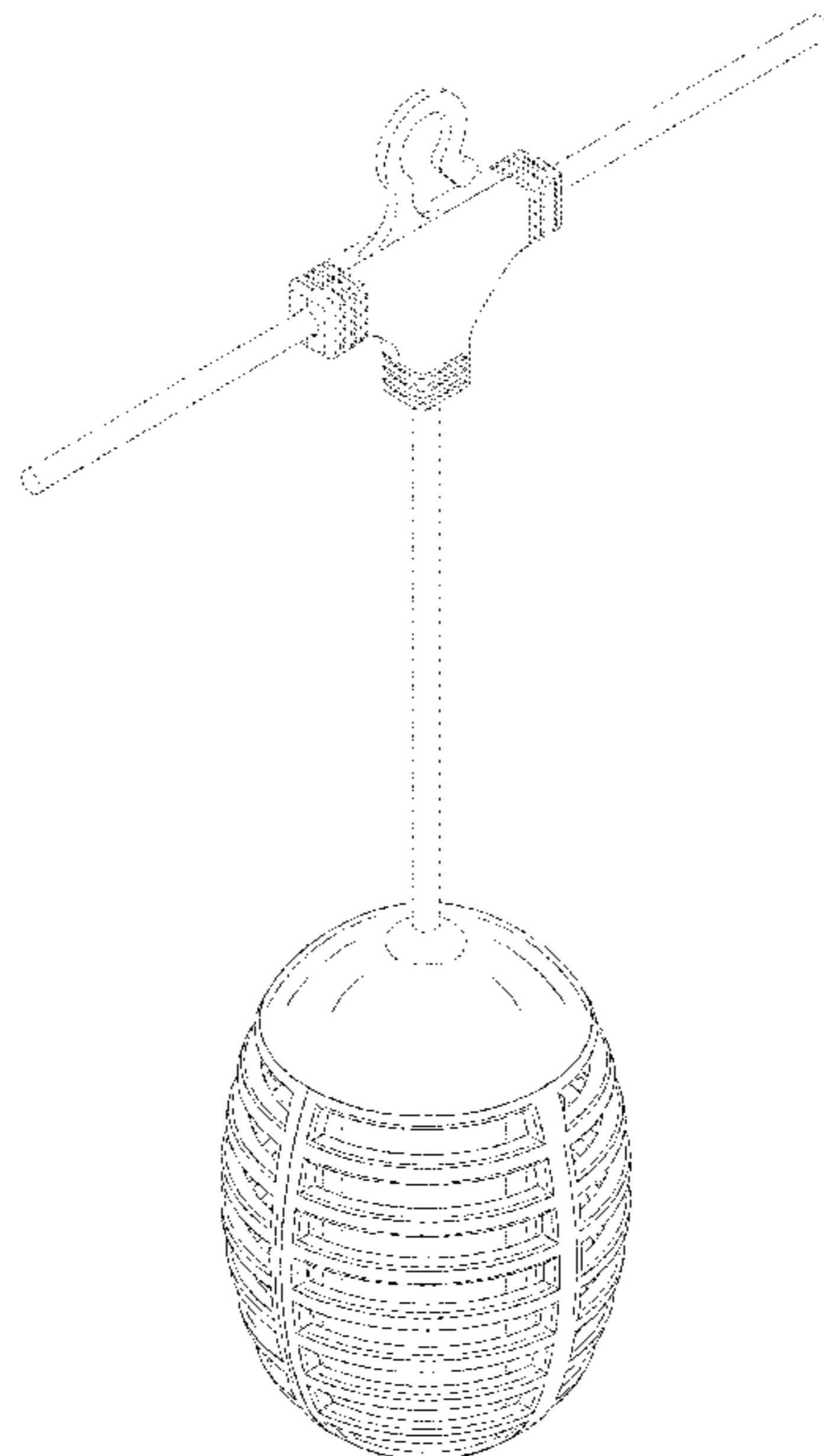
(57) **CLAIM**

I claim the ornamental design for a decoration light, as shown and described.

**DESCRIPTION**

FIG. 1 is a top, front perspective view of a decoration light showing my new design;  
FIG. 2 is a bottom, front perspective view thereof;  
FIG. 3 is a front elevational view thereof;  
FIG. 4 is a rear elevational view thereof;  
FIG. 5 is a left side view thereof;  
FIG. 6 is a right side view thereof;  
FIG. 7 is a top plan view thereof;  
FIG. 8 is a bottom plan view thereof; and,  
FIG. 9 is a perspective view, shown in an environment of use.  
The broken lines illustrate portions of the decoration light and form no part of the claimed design.  
The additional broken lines shown in FIG. 9 are directed to environment and are for illustrative purposes only and form no part thereof.

**1 Claim, 9 Drawing Sheets**



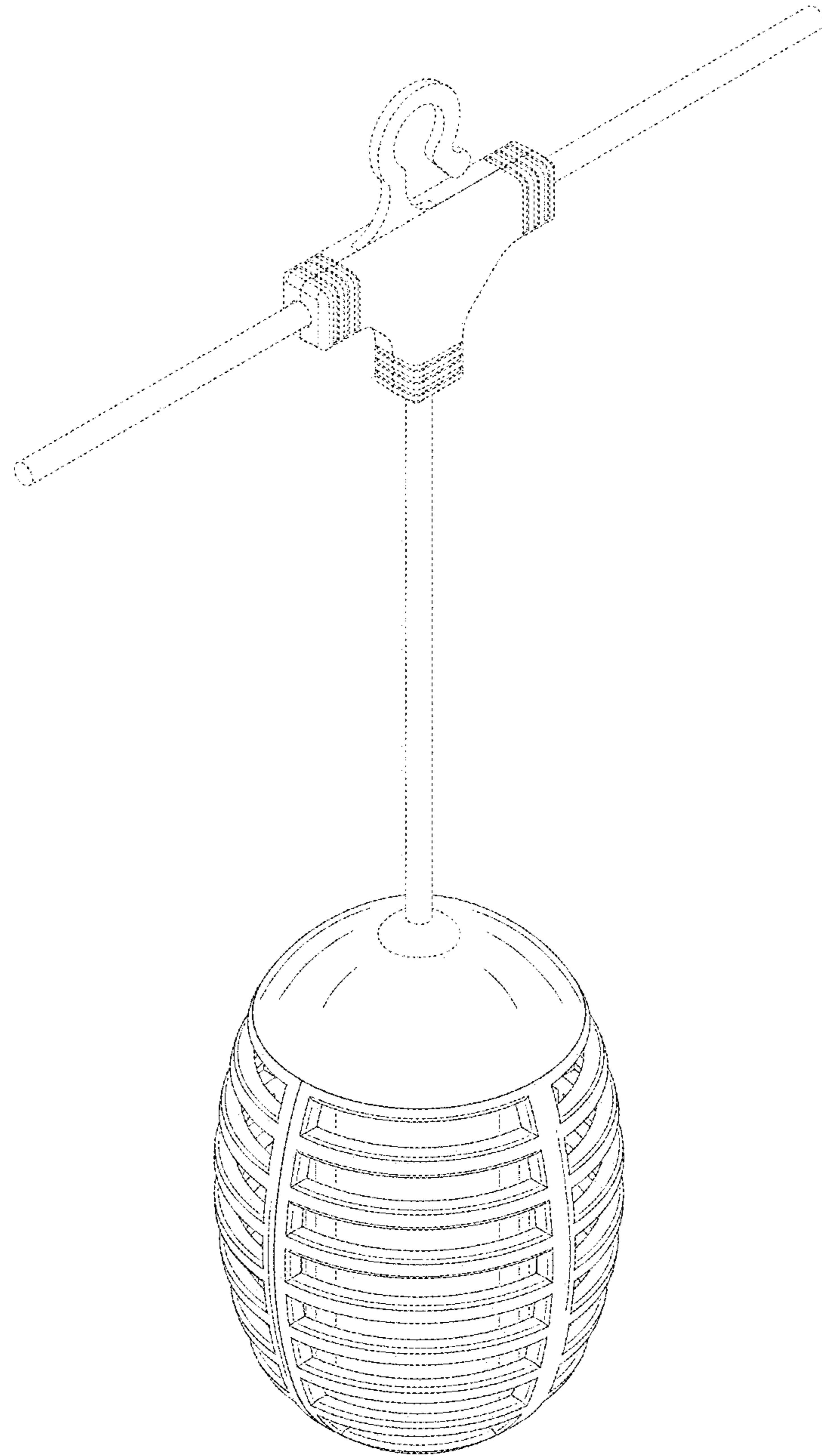


FIG.1

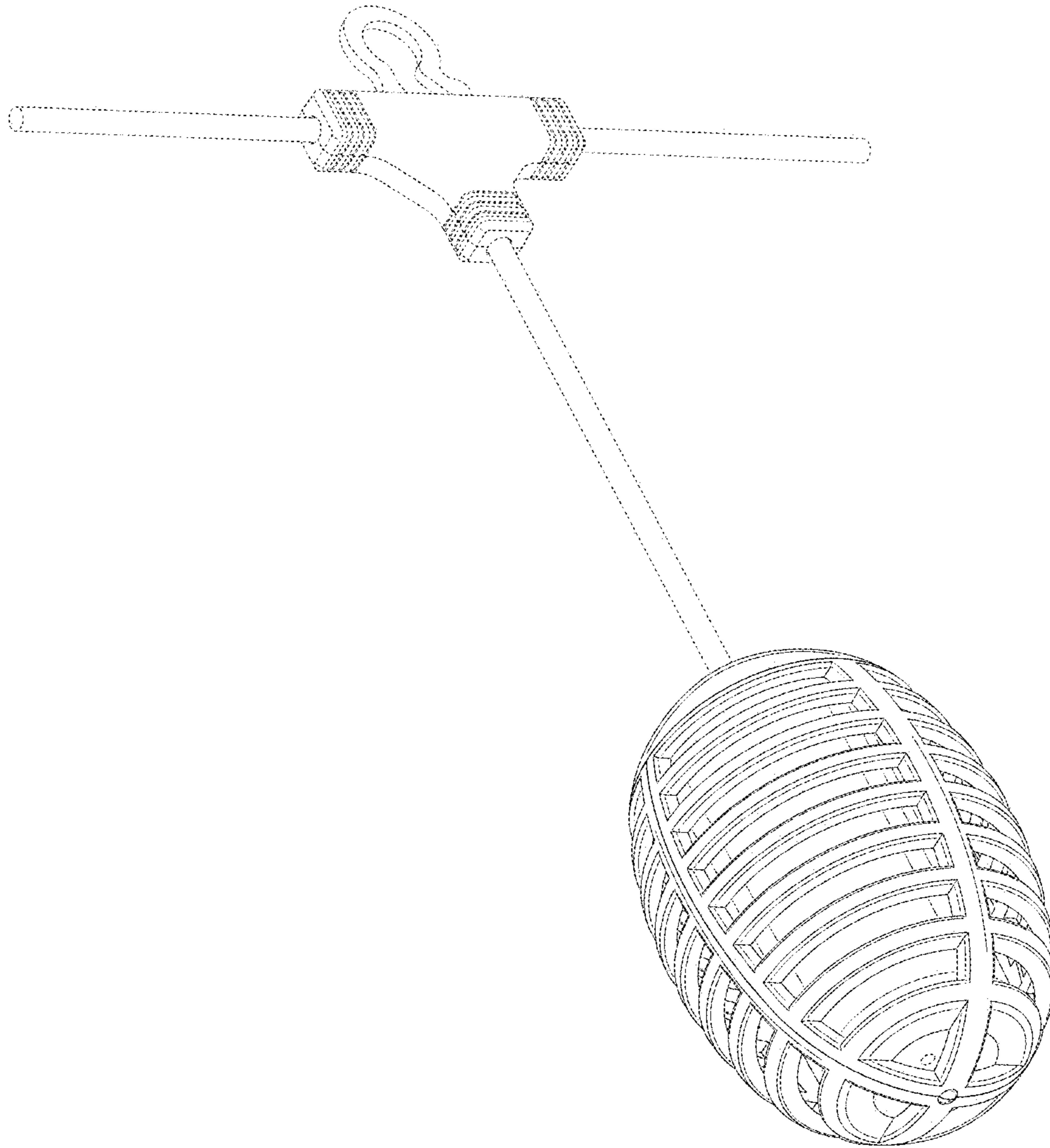


FIG.2

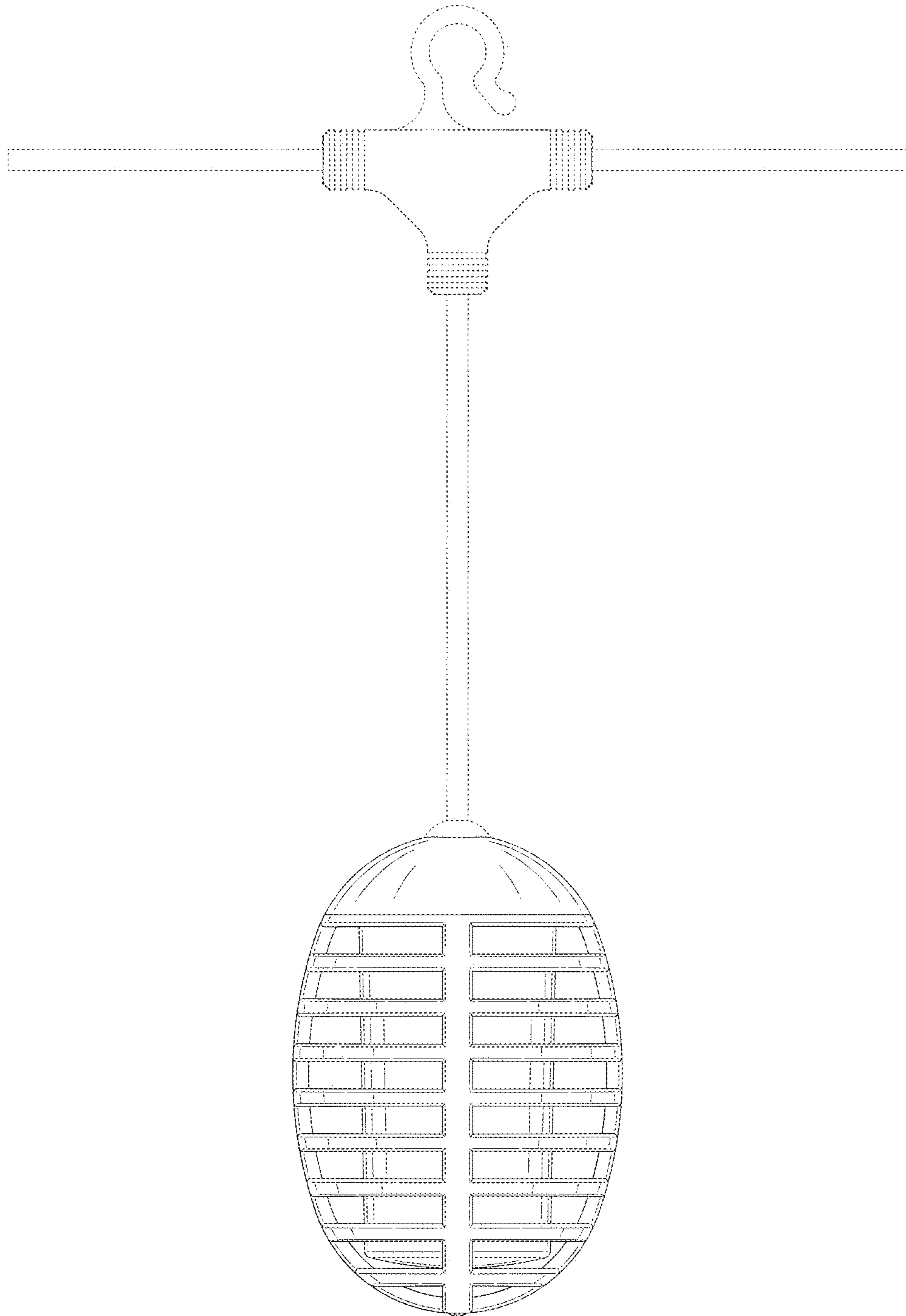


FIG.3

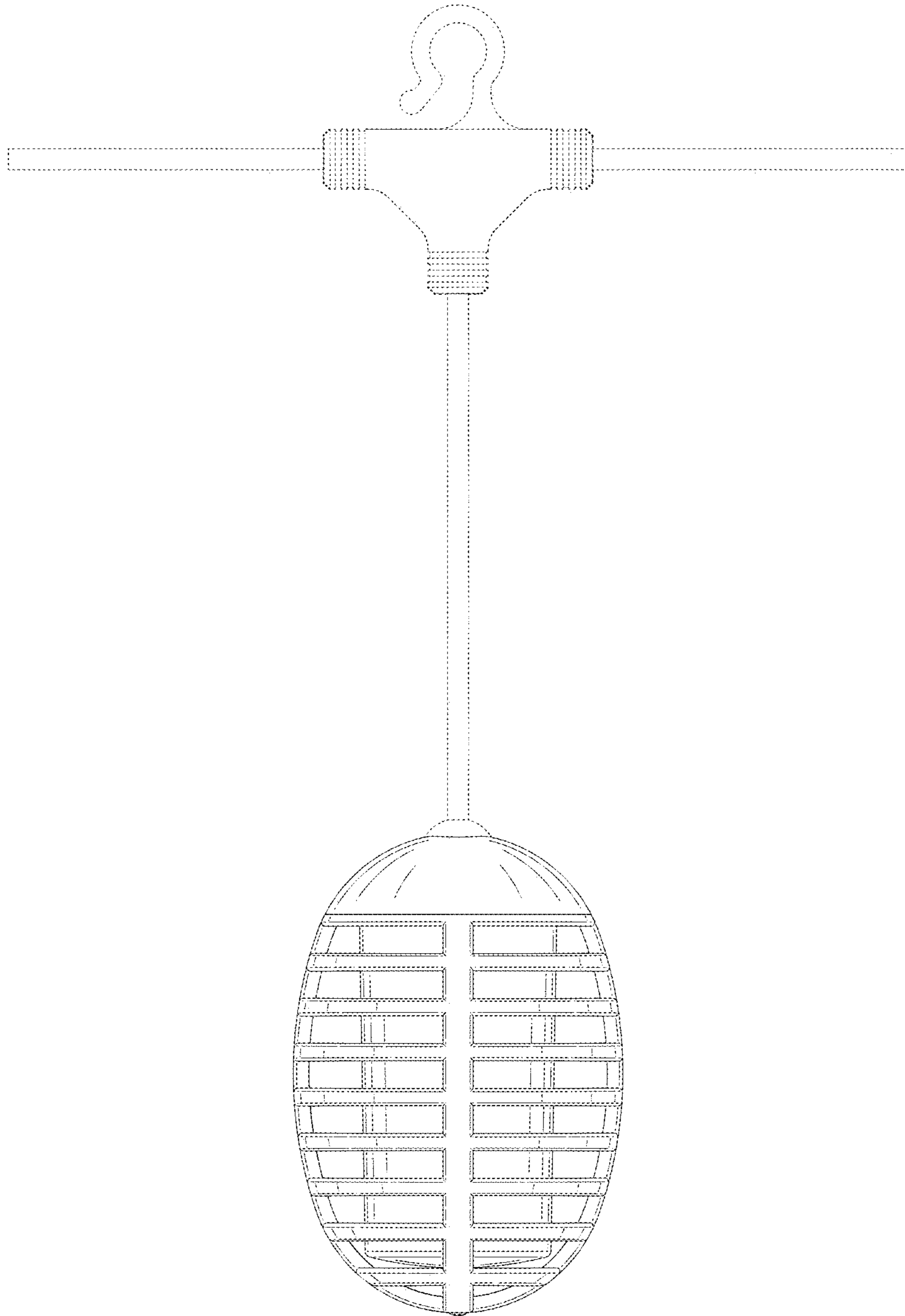


FIG.4

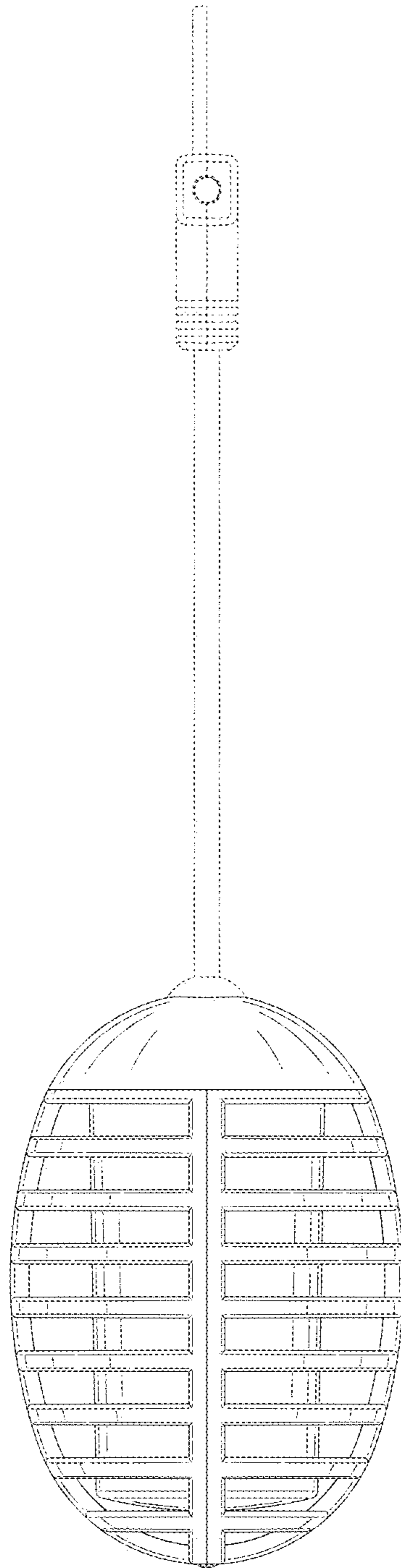


FIG.5

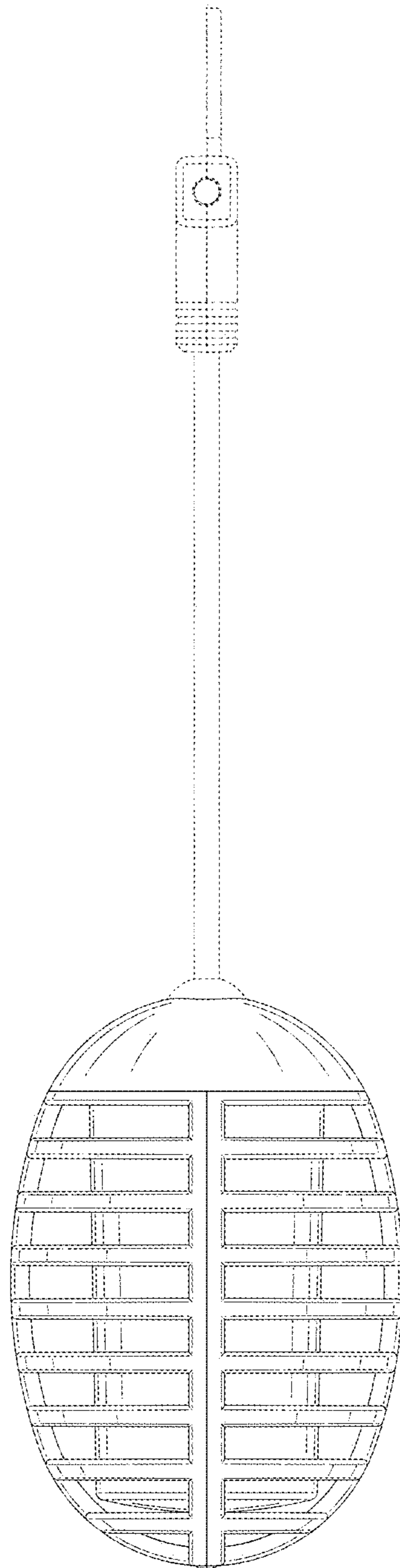


FIG.6

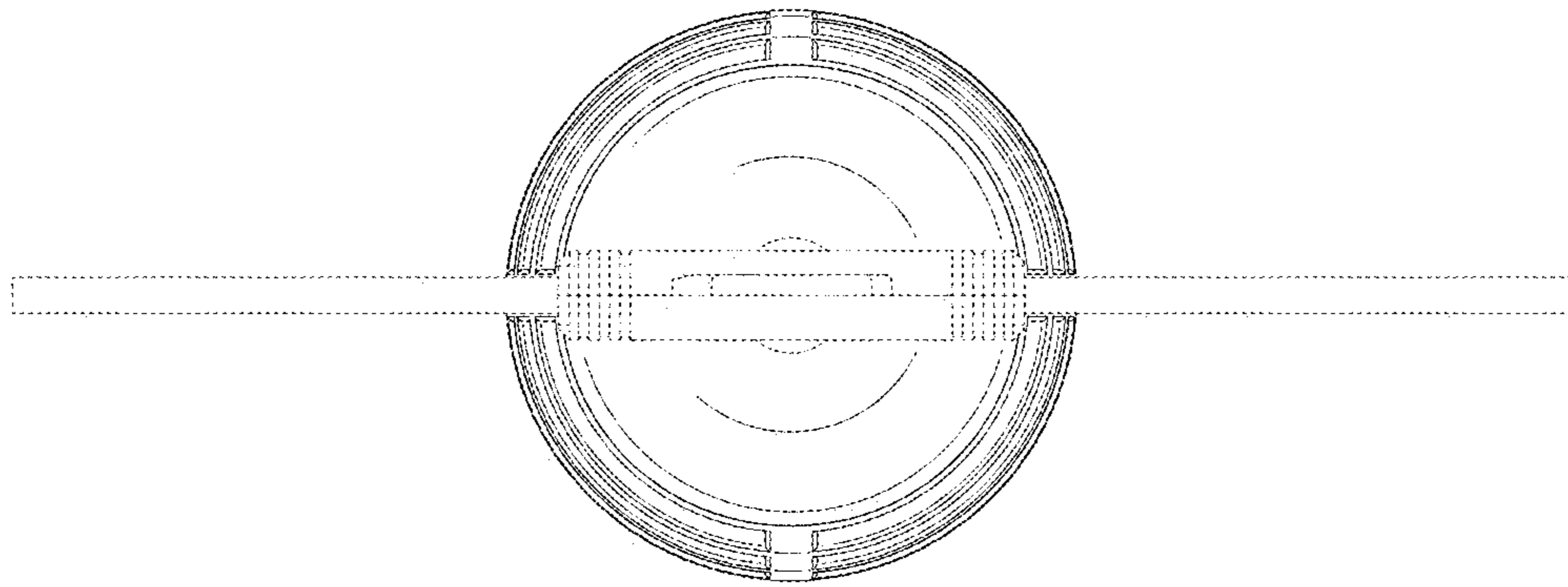


FIG. 7



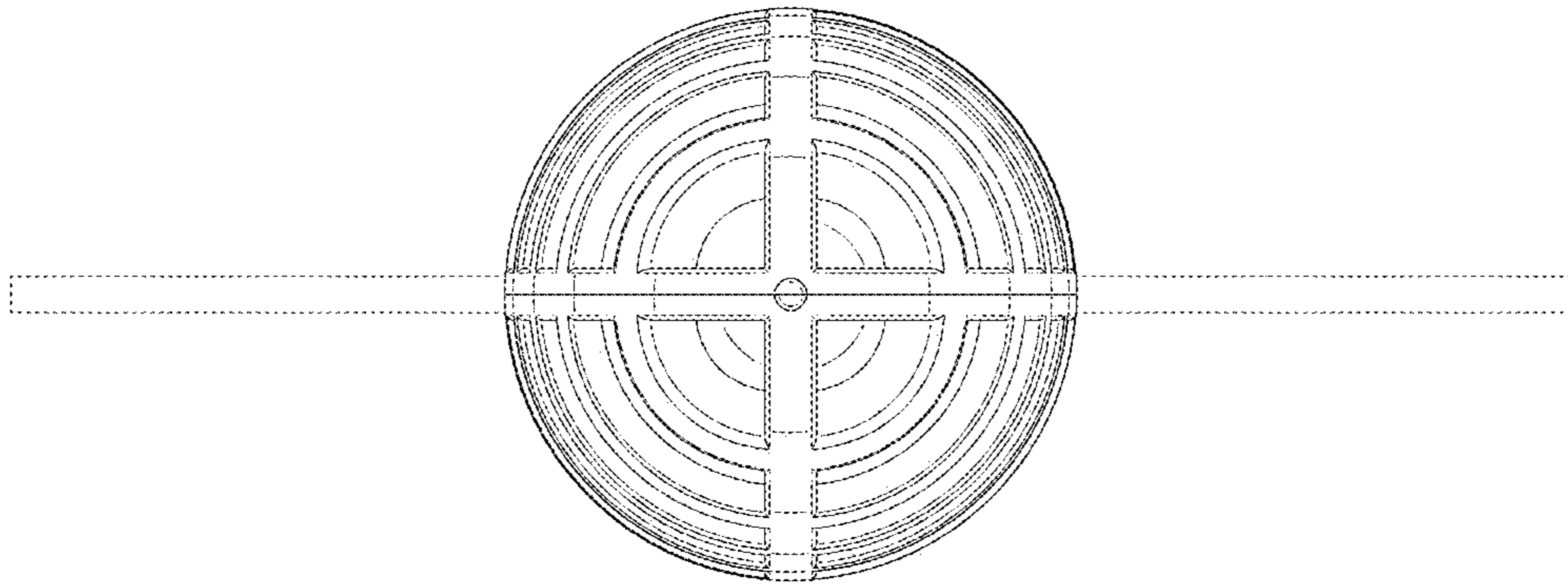


FIG. 8

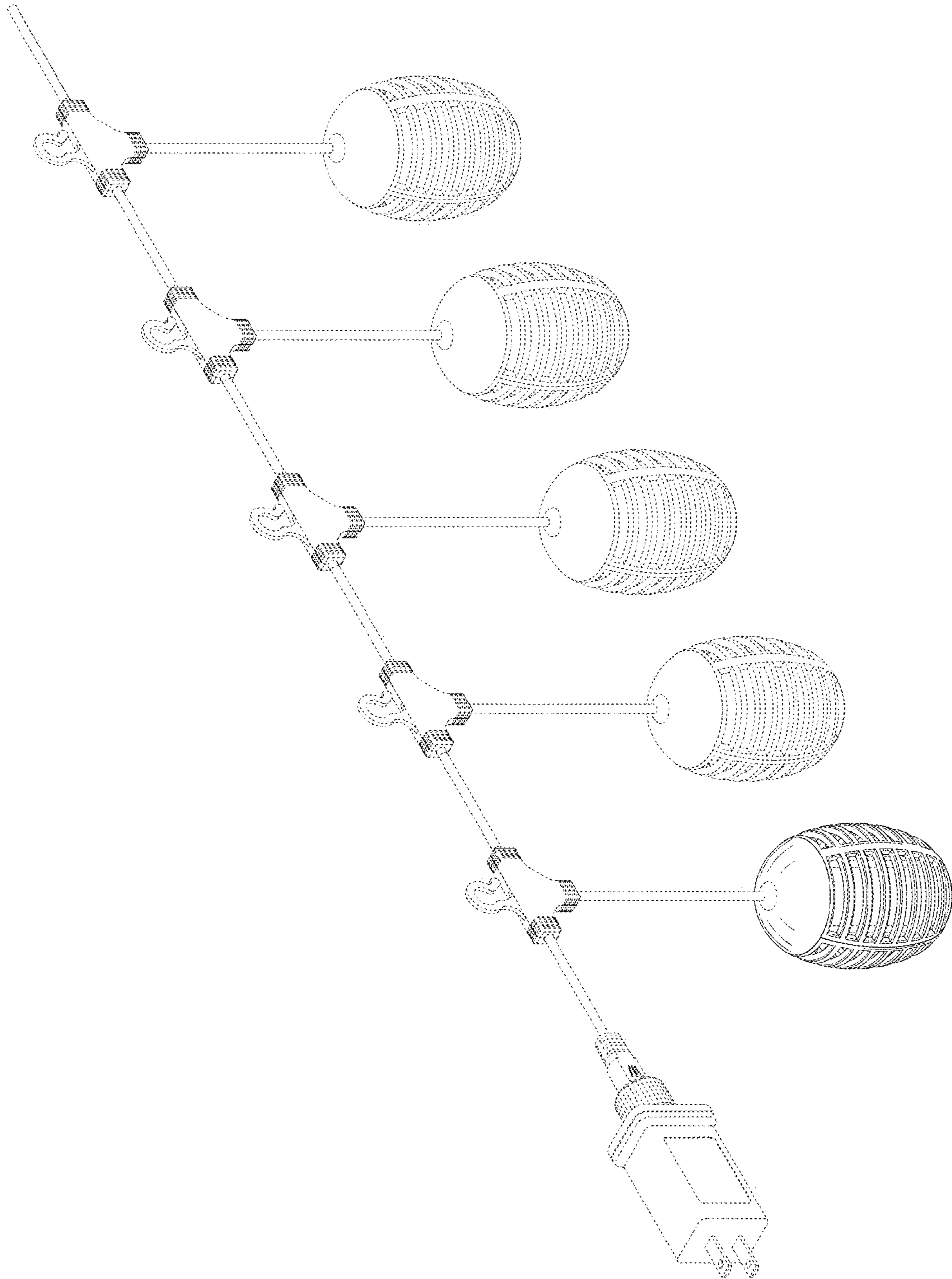


FIG.9