



US00D982783S

(12) **United States Design Patent** (10) **Patent No.:** **US D982,783 S**  
**Peng** (45) **Date of Patent:** **\*\* Apr. 4, 2023**

(54) **NIGHT LIGHT**  
(71) Applicant: **Donglian Peng**, Fujian (CN)  
(72) Inventor: **Donglian Peng**, Fujian (CN)  
(73) Assignee: **Shenzhen Ensplay Technology Co., Ltd.**, Guangdong (CN)

D790,455 S \* 6/2017 McGarry ..... D13/107  
D819,256 S \* 5/2018 Campagna ..... D26/89  
D820,844 S \* 6/2018 Jones ..... D14/407  
D833,435 S \* 11/2018 Andre ..... D14/408  
D840,106 S \* 2/2019 Ouyang ..... D28/58  
D853,033 S \* 7/2019 Ouyang ..... D28/58  
(Continued)

(\*\*) Term: **15 Years**  
(21) Appl. No.: **29/751,058**

FOREIGN PATENT DOCUMENTS  
CA 194655 \* 4/2020  
CN 306263593 \* 7/2020  
GB 6092397 \* 6/2020

(22) Filed: **Sep. 18, 2020**  
(30) **Foreign Application Priority Data**  
Jul. 27, 2020 (CN) ..... 202030411965.6  
(51) **LOC (14) Cl.** ..... **26-03**  
(52) **U.S. Cl.**  
USPC ..... **D26/24**  
(58) **Field of Classification Search**  
USPC ..... D26/24, 25, 26, 57, 72, 93, 94, 98, 99,  
D26/101, 104, 106, 113, 114, 138, 139,  
D26/141, 142, 152  
CPC .... F21S 6/00; F21S 6/002; F21S 6/005; F21S  
8/00; F21S 8/035; F21S 10/00  
See application file for complete search history.

OTHER PUBLICATIONS  
“LED” reference by CGC Lighting on Amazon.com, date first available Jun. 8, 2017 [online], site visited Mar. 7, 2022, available from internet URL: <https://www.amazon.com/Flashlight-Rechargeable-Emergency-Sensing-Portable/dp/B071JWVBZ1/?th=1> (Year: 2017).\*  
(Continued)

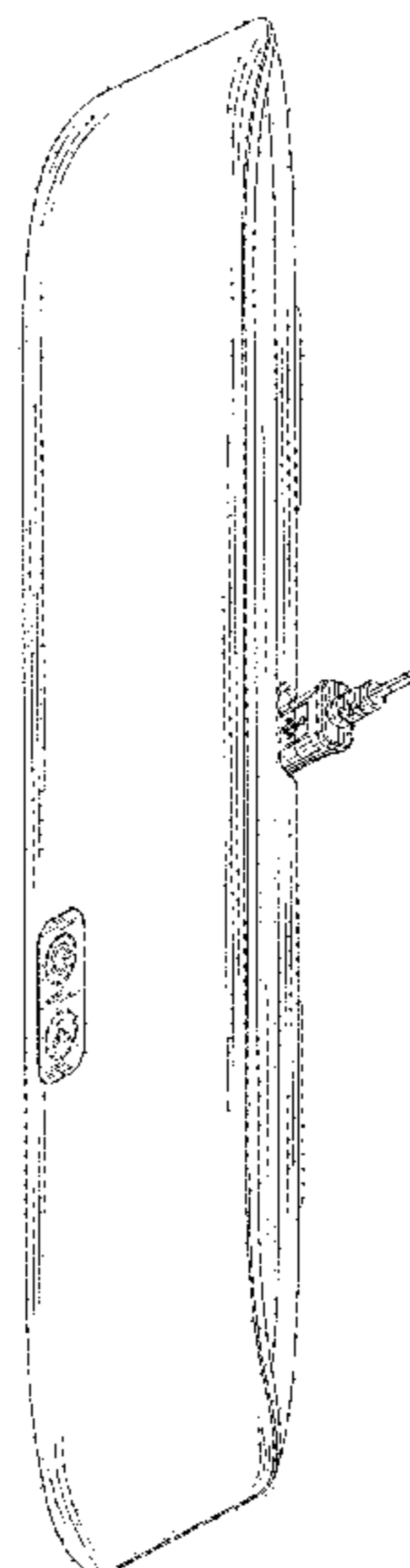
*Primary Examiner* — Marissa J Cash  
*Assistant Examiner* — Liv C Anderson

(56) **References Cited**  
U.S. PATENT DOCUMENTS  
D302,319 S \* 7/1989 Yuen ..... D26/42  
D545,979 S \* 7/2007 Molenaar ..... D26/26  
D576,330 S \* 9/2008 Ruud ..... D26/71  
D576,332 S \* 9/2008 Ruud ..... D26/85  
D589,382 S \* 3/2009 Gretton ..... D10/65  
D633,237 S \* 2/2011 Wang ..... D26/26  
D647,093 S \* 10/2011 Kim ..... D14/407  
D697,500 S \* 1/2014 Tsai ..... D14/218  
D731,097 S \* 6/2015 Dai ..... D26/26  
D772,442 S \* 11/2016 Lange ..... D26/26  
D774,254 S \* 12/2016 Hess ..... D28/83

(57) **CLAIM**  
The ornamental design for a night light, as shown and described.

**DESCRIPTION**  
FIG. 1 is a perspective view of a night light showing my new design;  
FIG. 2 is a front elevational view thereof;  
FIG. 3 is a rear elevational view thereof;  
FIG. 4 is a left side elevational view thereof;  
FIG. 5 is a right side elevational view thereof;  
FIG. 6 is a top plan view thereof; and,  
FIG. 7 is a bottom plan view thereof.  
The broken lines in the drawings depict portions of the night light that form no part of the claimed design.

**1 Claim, 7 Drawing Sheets**



(56)

**References Cited**

U.S. PATENT DOCUMENTS

D853,034	S	*	7/2019	Ouyang	.....	D28/58
D864,429	S	*	10/2019	Zhang	.....	D26/26
D865,233	S	*	10/2019	Lange	.....	D26/26
D867,628	S	*	11/2019	Rego	.....	D26/26
D878,680	S	*	3/2020	Ouyang	.....	D28/58
D894,436	S	*	8/2020	Wu	.....	D26/26
D895,182	S	*	9/2020	Liang	.....	D26/37
2015/0153011	A1	*	6/2015	Heyer	.....	F21L 14/00 362/190

OTHER PUBLICATIONS

“Maz-Tek” reference by Max Technology on Amazon.com, date first available May 5, 2019 [online], site visited Mar. 7, 2022, available from internet URL: <https://www.amazon.com/dp/B07QXMXWFN/> (Year: 2019).\*

“GE” reference by Amazon.com, date first available Aug. 8, 2017 [online], site visited Mar. 7, 2022, available from internet URL: [https://www.amazon.com/dp/B074N9LRCP/ref=emc\\_b\\_5\\_t](https://www.amazon.com/dp/B074N9LRCP/ref=emc_b_5_t) (Year: 2017).\*

“UV LED” reference by Imgofu Direct on Amazon.com, oldest customer review date Jun. 5, 2019 [online], site visited Mar. 7, 2022, available from internet URL: <https://www.amazon.com/dryer-Portable-Curing-light-Polish/dp/B07MCDV2R5/> (Year: 2019).\*

\* cited by examiner

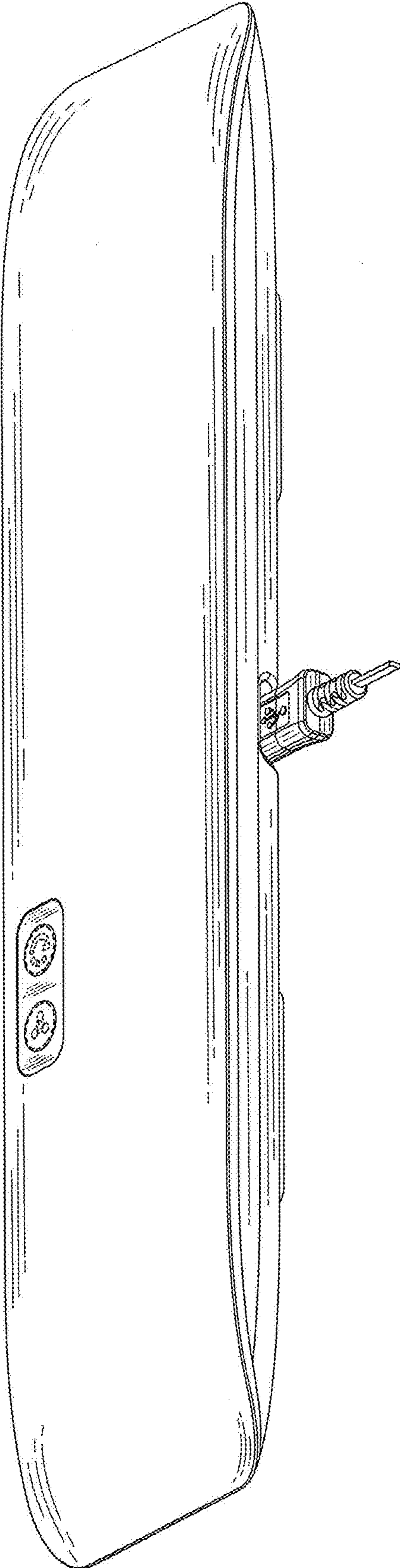


FIG. 1

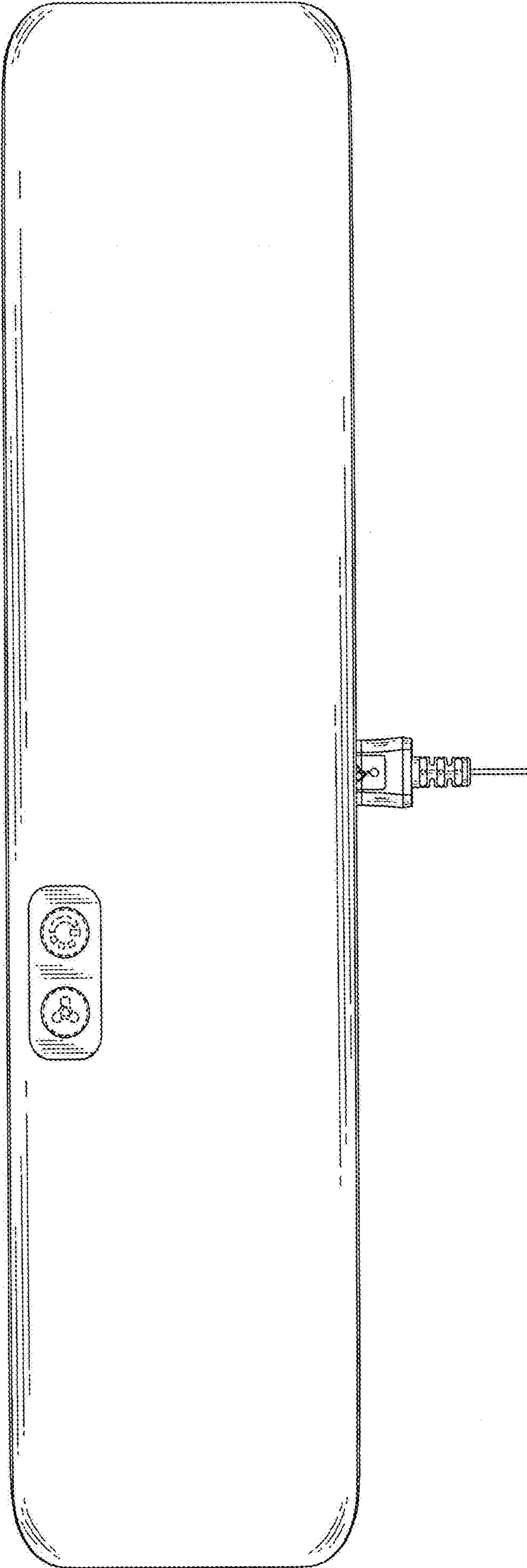


FIG. 2

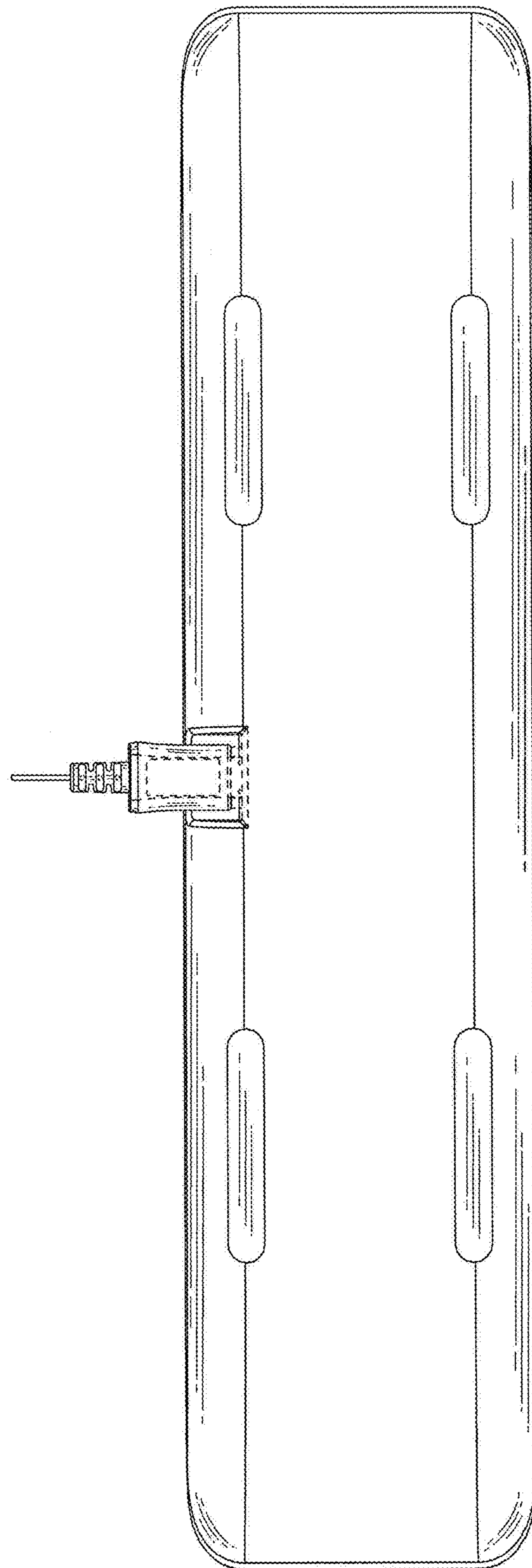


FIG. 3

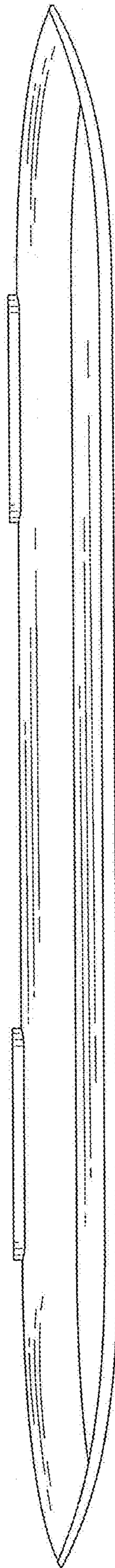


FIG. 4

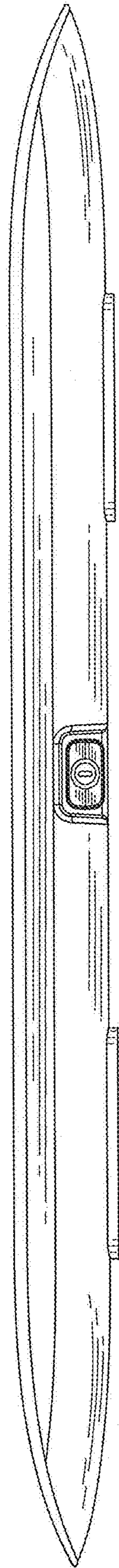


FIG. 5

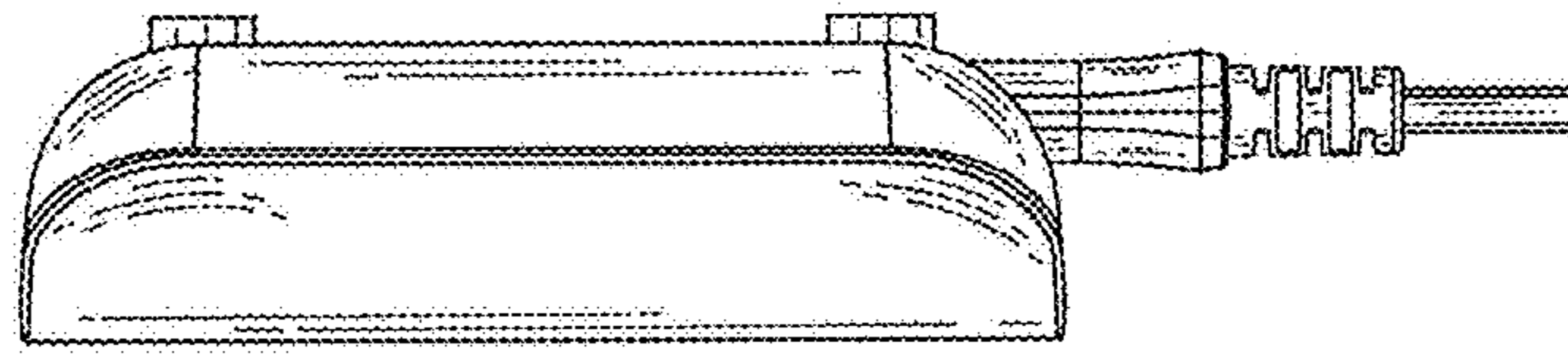


FIG. 6



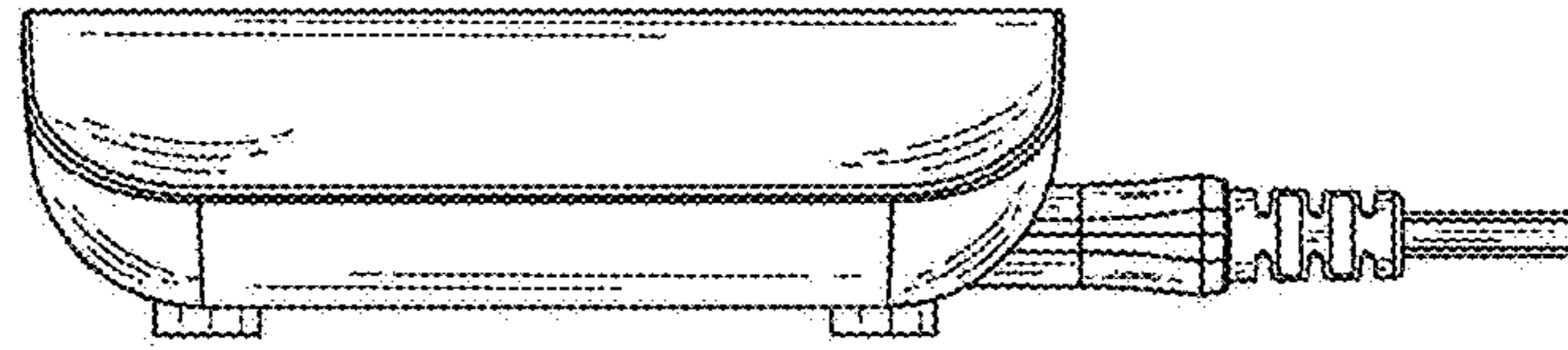


FIG. 7