



US00D982780S

(12) **United States Design Patent**  
**Walsh**

(10) **Patent No.:** **US D982,780 S**  
(45) **Date of Patent:** **\*\* Apr. 4, 2023**

(54) **DOOR**

(71) Applicant: **Masonite Corporation**, Tampa, FL  
(US)

(72) Inventor: **Jason M. Walsh**, Batavia, IL (US)

(73) Assignee: **Masonite Corporation**, Tampa, FL  
(US)

(\*\*) Term: **15 Years**

(21) Appl. No.: **29/768,264**

(22) Filed: **Jan. 28, 2021**

(51) **LOC (14) Cl.** ..... **25-02**

(52) **U.S. Cl.**  
USPC ..... **D25/48.3**

(58) **Field of Classification Search**  
USPC ..... D25/48.1, 48.3, 48.4, 48.5, 138  
(Continued)

(56) **References Cited**

**U.S. PATENT DOCUMENTS**

3,121,263 A \* 2/1964 Binner ..... E06B 3/74  
49/503  
D435,668 S \* 12/2000 Couey ..... D25/48.8  
(Continued)

**FOREIGN PATENT DOCUMENTS**

CN 3660943 \* 6/2007  
CN 302124680 \* 10/2012  
(Continued)

*Primary Examiner* — Leanne Was-Englehart

(74) *Attorney, Agent, or Firm* — Calderon, Safran & Cole  
P.C.

(57) **CLAIM**

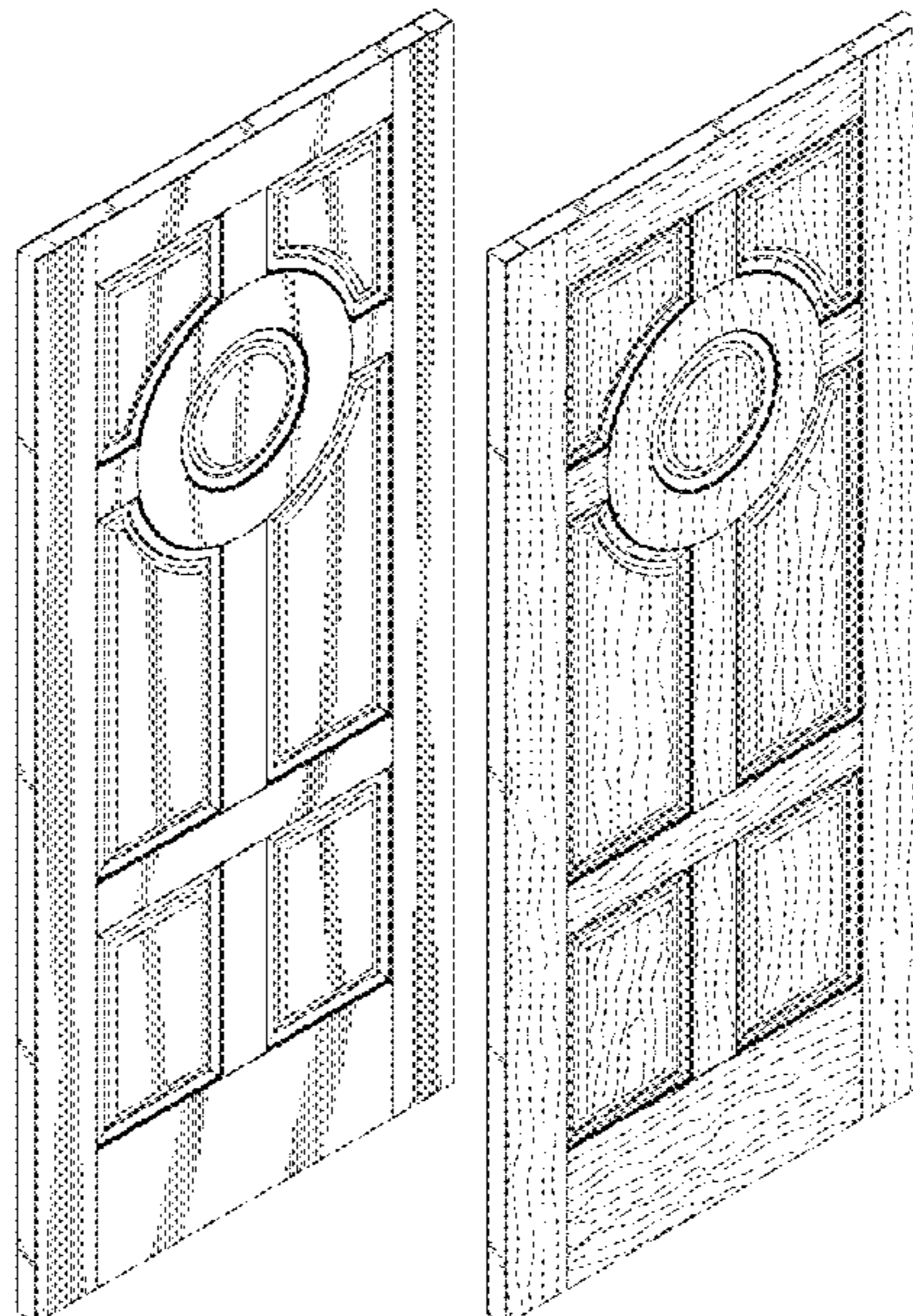
The ornamental design for a door, as shown and described.

**DESCRIPTION**

FIG. 1 is a front perspective view of a first embodiment of a door according to my design;  
FIG. 2 is a front elevational view;  
FIG. 3 is a rear elevational view;  
FIG. 4 is a top view;  
FIG. 5 is a bottom view;  
FIG. 6 is a cross-sectional view taken along the line 6-6 of FIG. 2;  
FIG. 7 is an enlarged view of the encircled portion of FIG. 6;  
FIG. 8 is a cross-sectional view taken along the line 8-8 of FIG. 2;  
FIG. 9 is a left side view;  
FIG. 10 is a right side view;  
FIG. 11 is a cross-sectional view taken along the line 11-11 of FIG. 2;  
FIG. 12 is a front perspective view of a second embodiment of a door according to my design;  
FIG. 13 is a front elevational view;  
FIG. 14 is a rear elevational view;  
FIG. 15 is a top view;  
FIG. 16 is a bottom view;  
FIG. 17 is a cross-sectional view taken along the line 17-17 of FIG. 13;  
FIG. 18 is an enlarged view of the encircled portion of FIG. 17;  
FIG. 19 is a cross-sectional view taken along the line 19-19 of FIG. 13;  
FIG. 20 is a left side view;  
FIG. 21 is a right side view; and,  
FIG. 22 is a cross-sectional view taken along the line 22-22 of FIG. 13.

The evenly spaced broken lines depict portions of the door that form no part of the claimed design. The dot-dot-dash broken line circles depict the limits of the enlarged views and form no part of the claimed design.

**1 Claim, 14 Drawing Sheets**



(58) **Field of Classification Search**

CPC . E06B 3/70; E06B 3/7001; E06B 3/78; E06B  
2003/7049; B27N 3/00; B27N 3/20;  
B27N 7/00; B27N 7/005; B32B 3/00;  
B32B 21/04; B32B 5/12

See application file for complete search history.

(56) **References Cited**

U.S. PATENT DOCUMENTS

D525,717	S	*	7/2006	Schoen	.....	D25/138
D537,956	S	*	3/2007	Schoen	.....	D25/138
D538,441	S	*	3/2007	Schoen	.....	D25/138
D615,213	S	*	5/2010	Yen	.....	D25/48.3
D705,946	S	*	5/2014	Wysock	.....	D25/48.3
D705,947	S	*	5/2014	Wysock	.....	D25/48.3
D753,842	S	*	4/2016	Wysock	.....	D25/48.3
D791,969	S	*	7/2017	Wysock	.....	D25/48.3
D804,056	S	*	11/2017	Wysock	.....	D25/48.3
D855,216	S	*	7/2019	Wysock	.....	D25/48.3
10,538,955	B2	*	1/2020	Ege	.....	E06B 3/78
D919,119	S	*	5/2021	Wysock	.....	D25/48.3

FOREIGN PATENT DOCUMENTS

CN	304861674	*	10/2018
CN	304953641	*	12/2018
EM	002370700-0013	*	6/2016
EM	002572875-0208	*	5/2017

\* cited by examiner

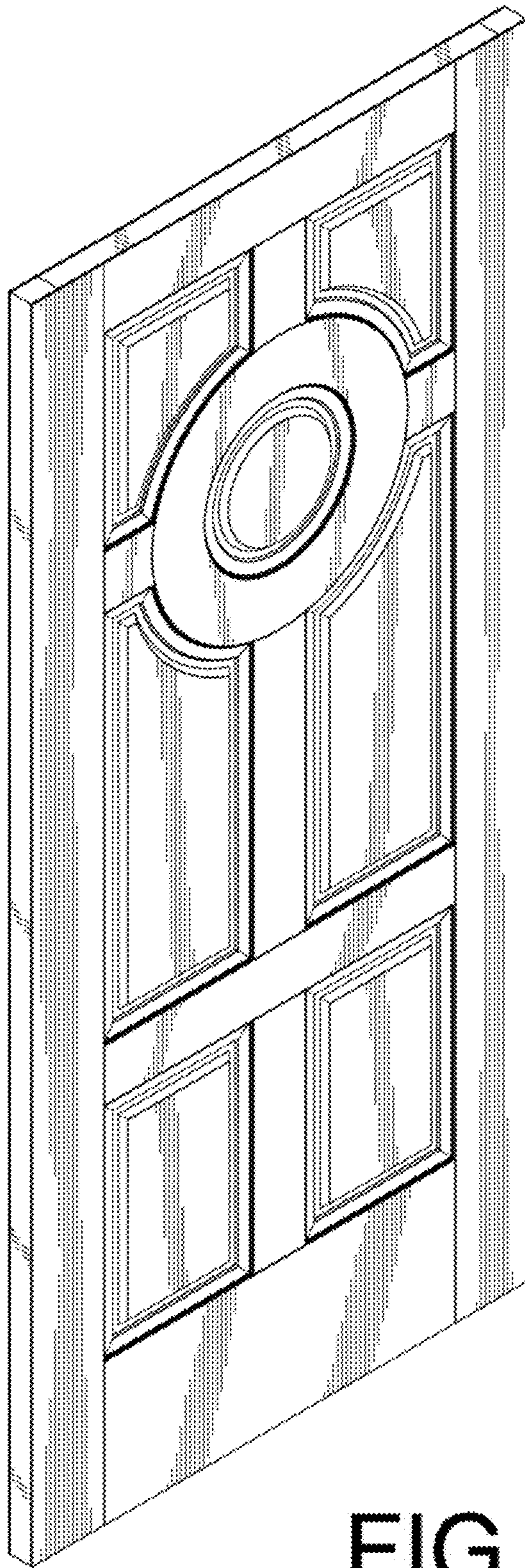


FIG. 1

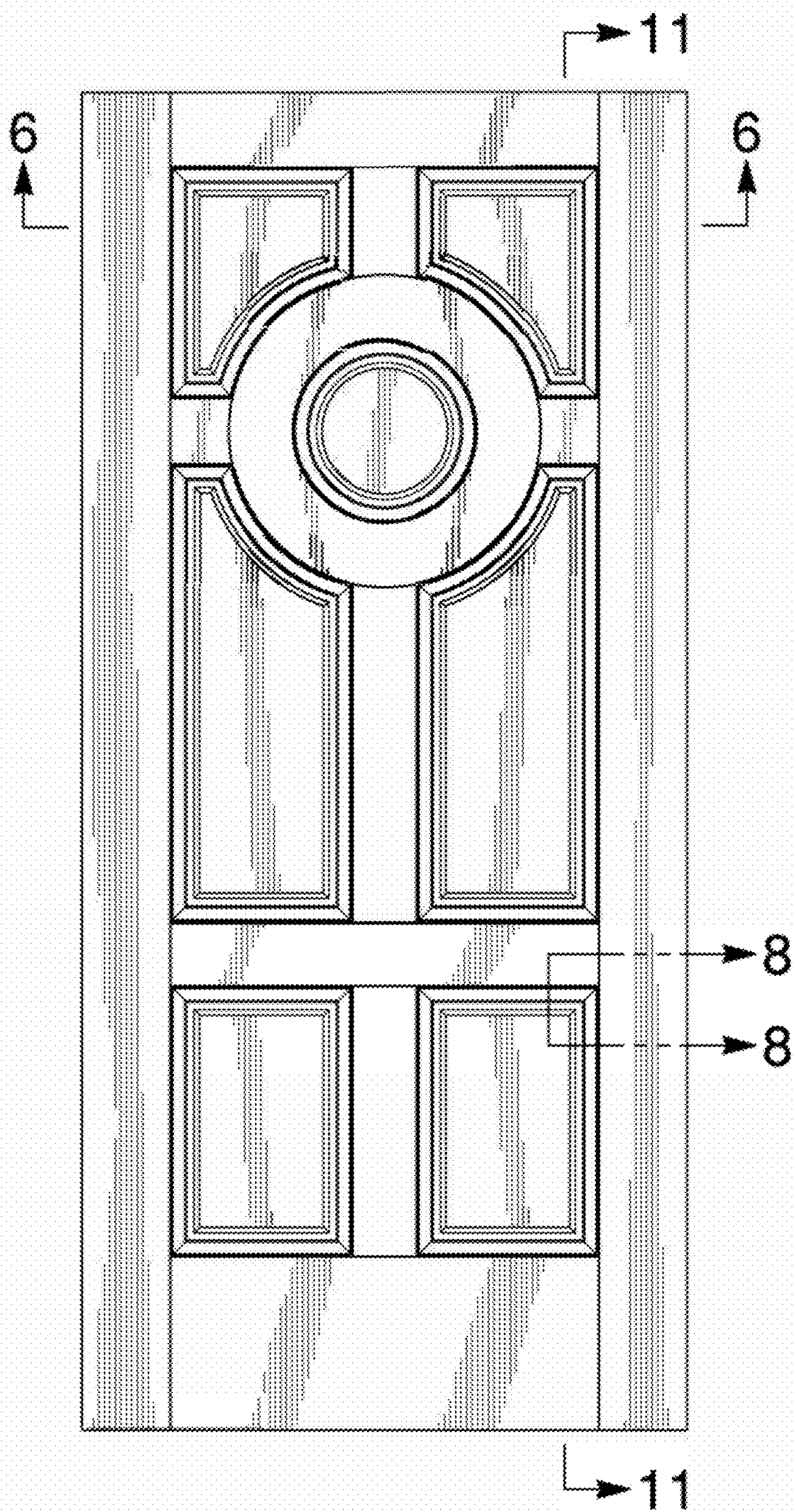


FIG. 2

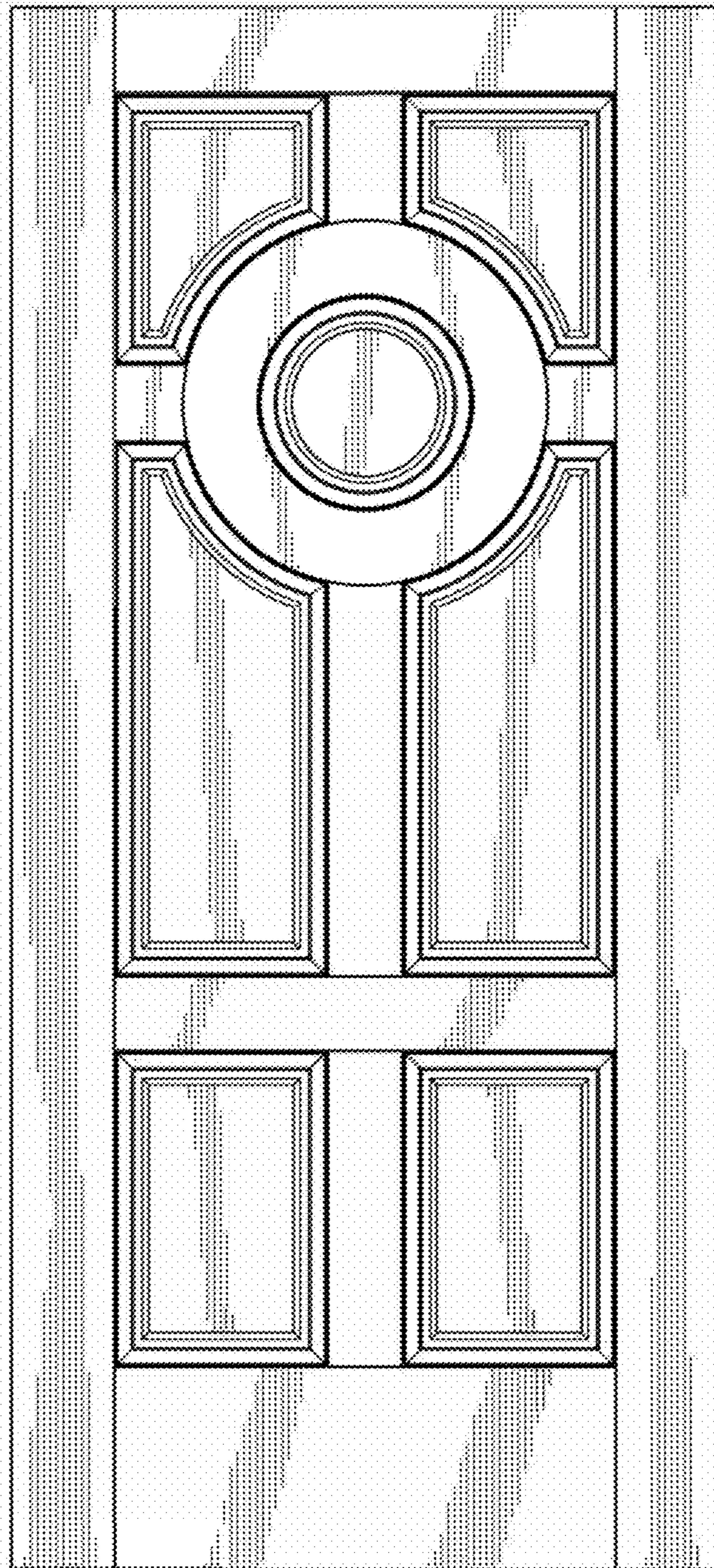


FIG. 3

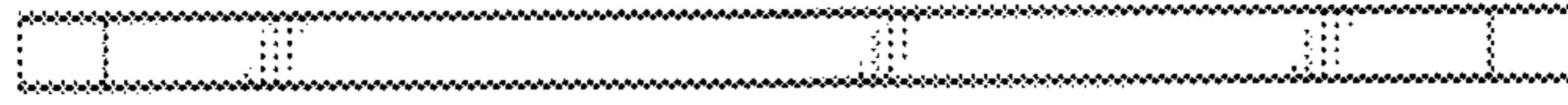


FIG. 4

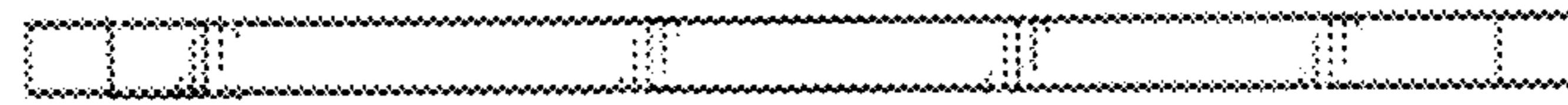


FIG. 5

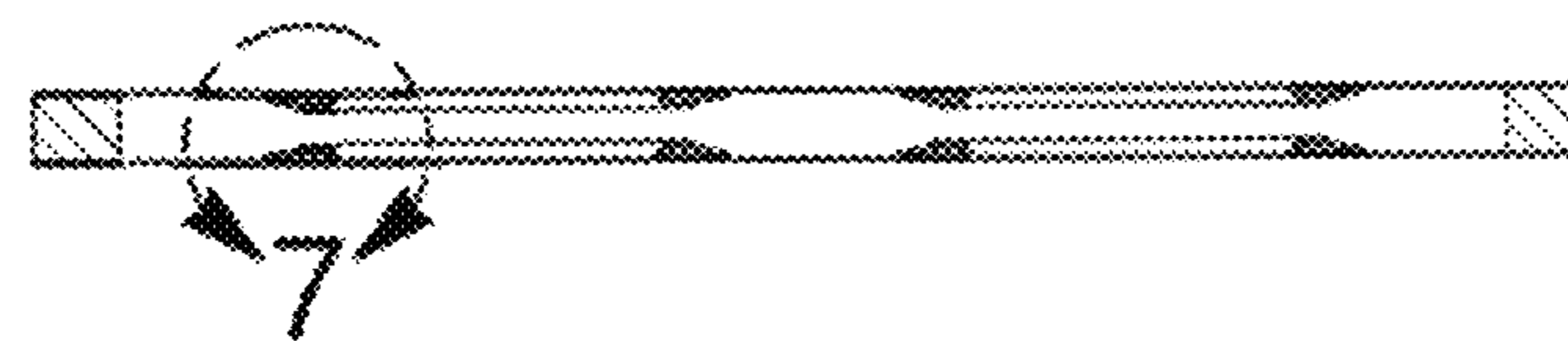


FIG. 6

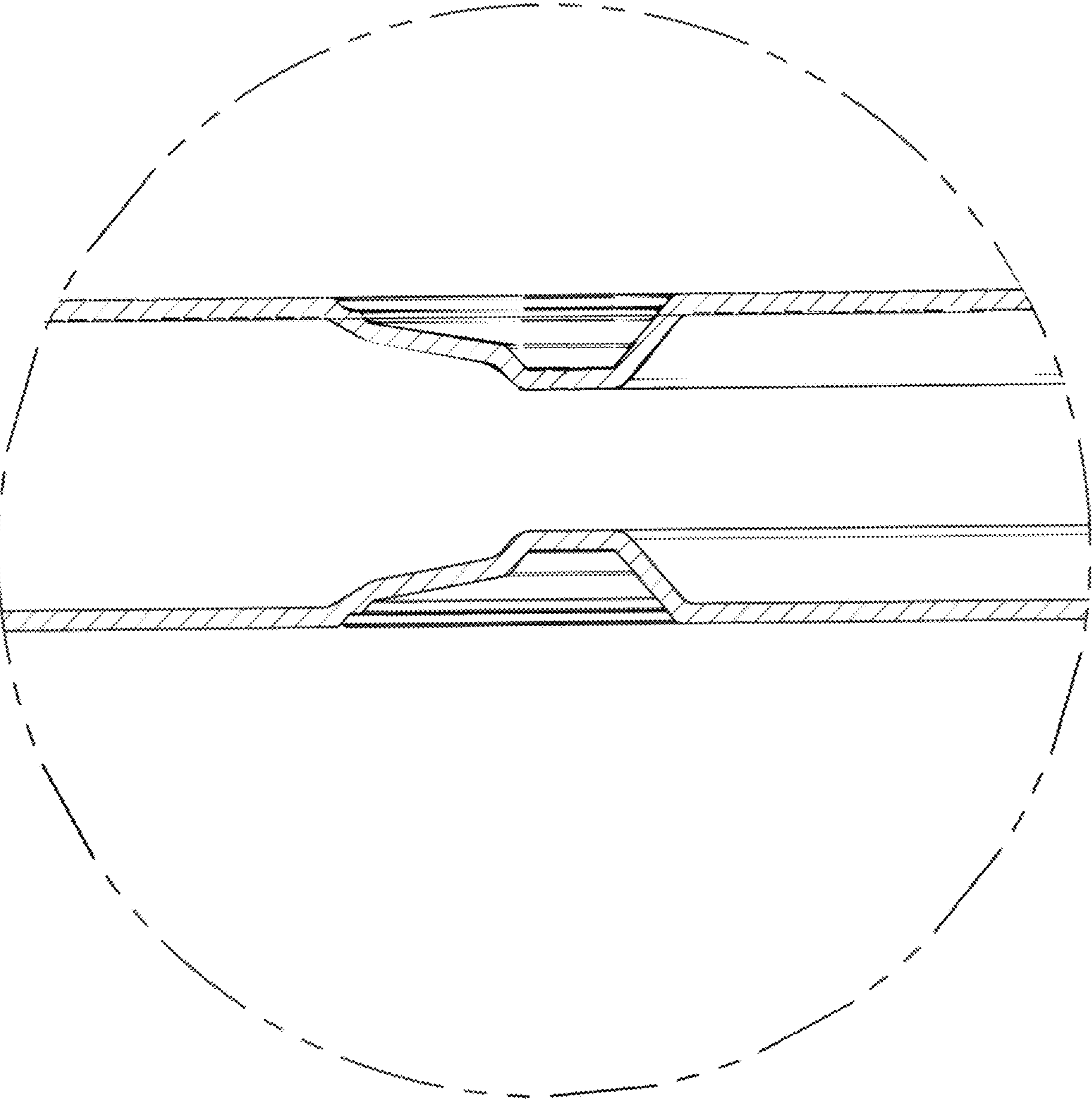


FIG. 7

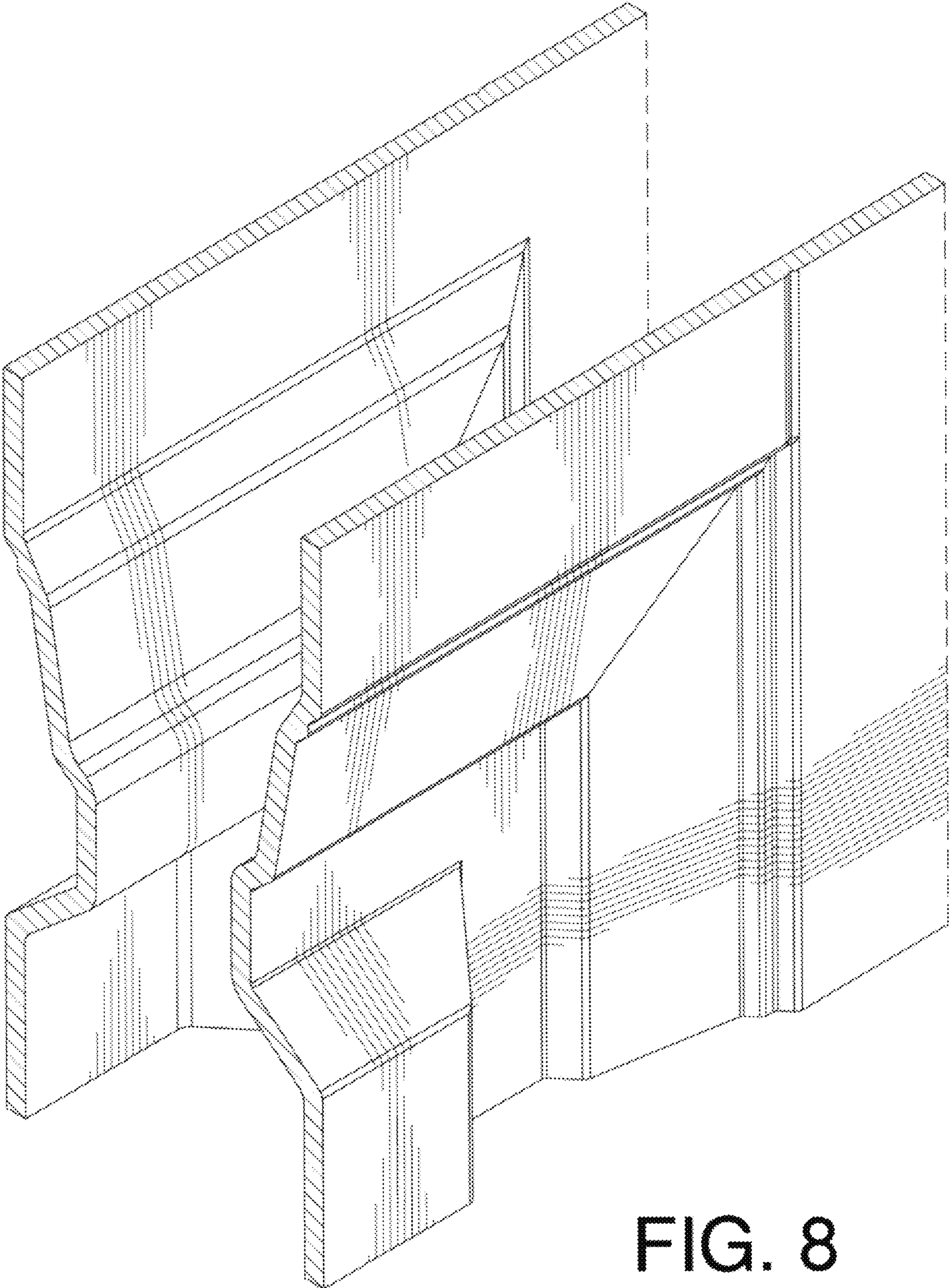


FIG. 8





FIG. 9

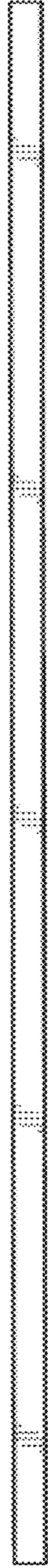


FIG. 10



FIG. 11



FIG. 12

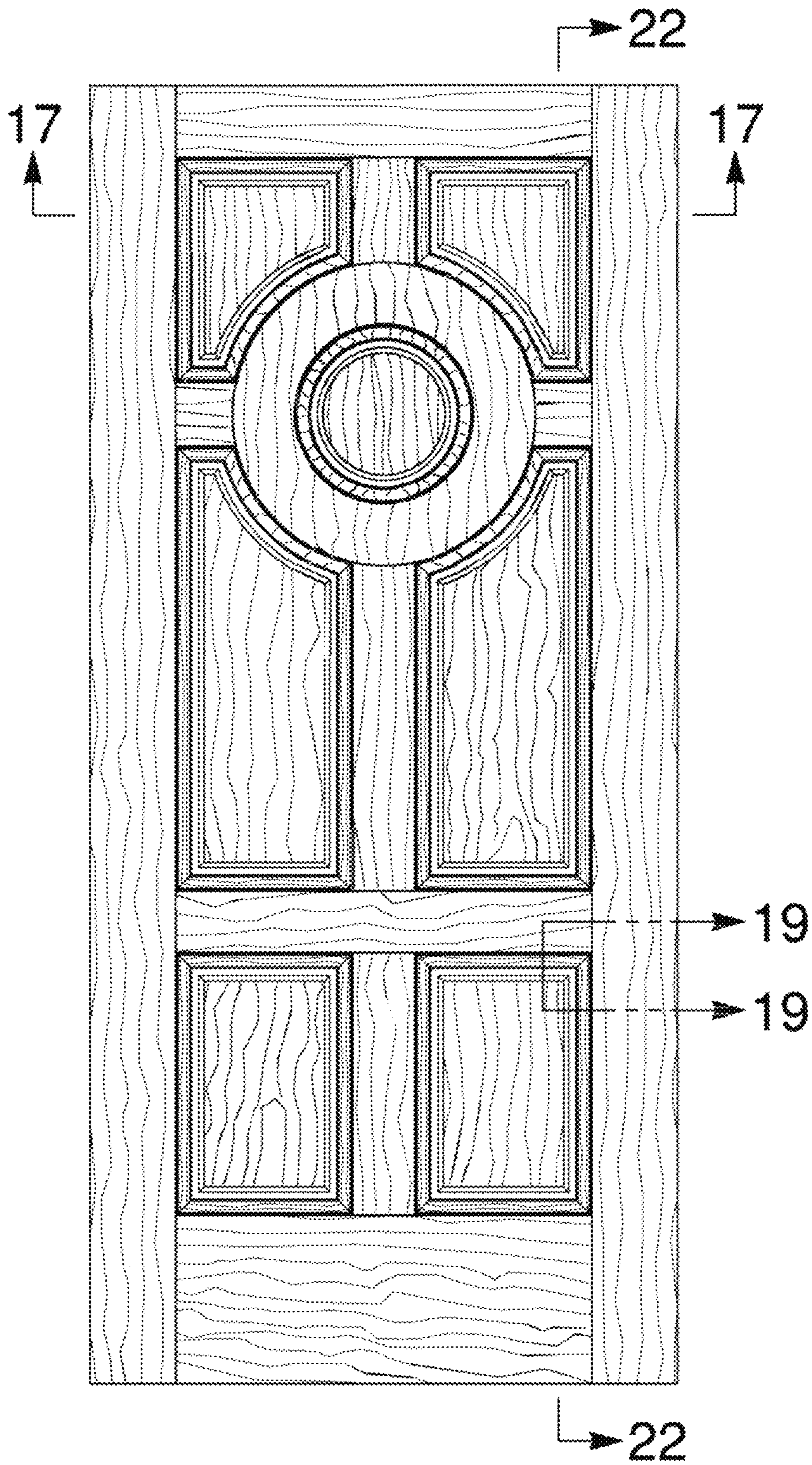


FIG. 13

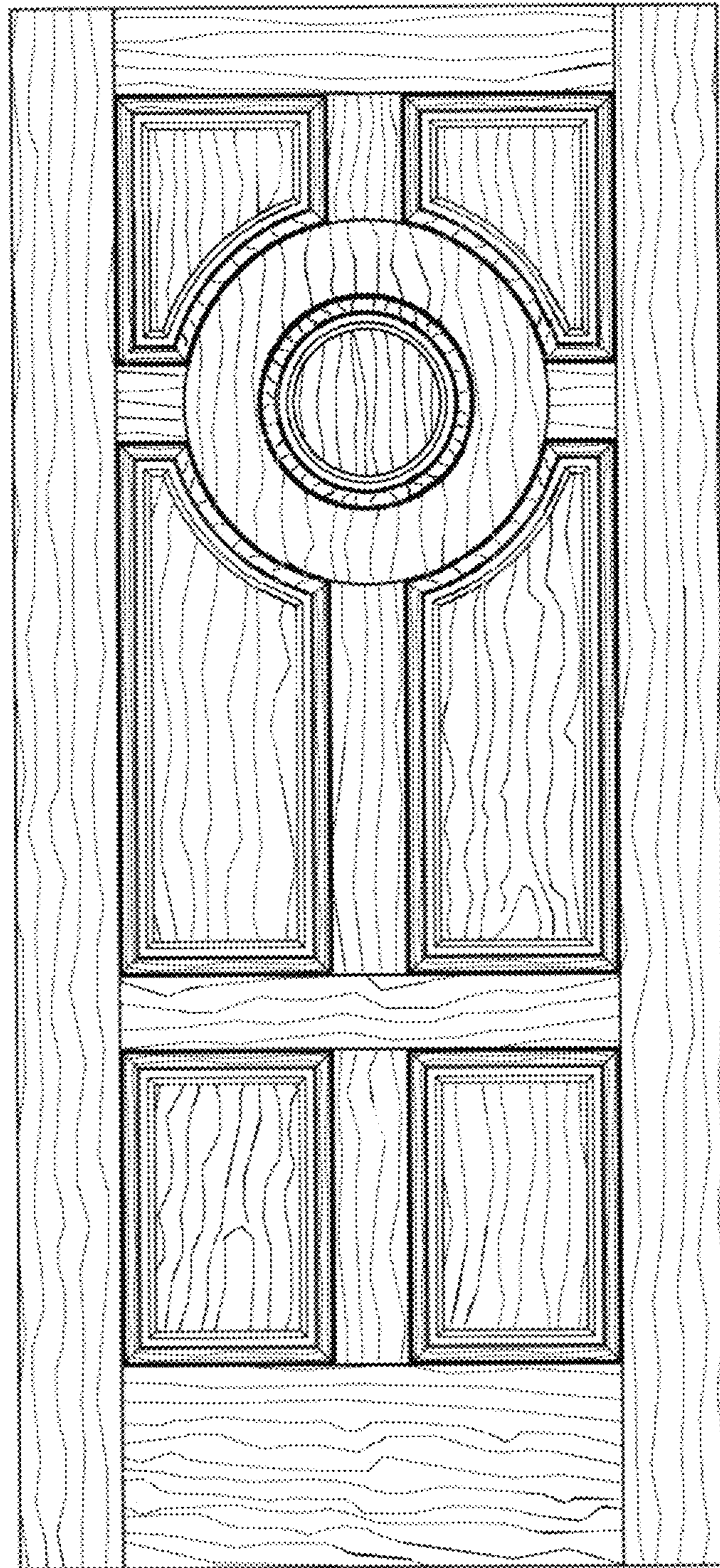


FIG. 14

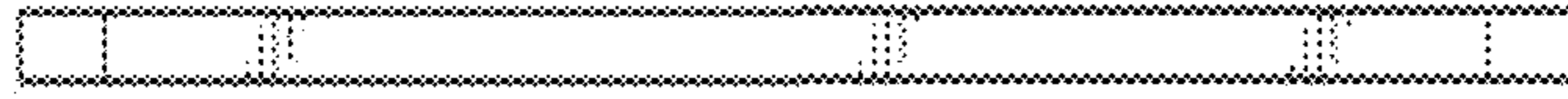


FIG. 15

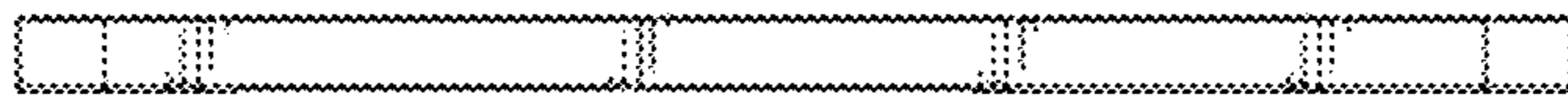


FIG. 16

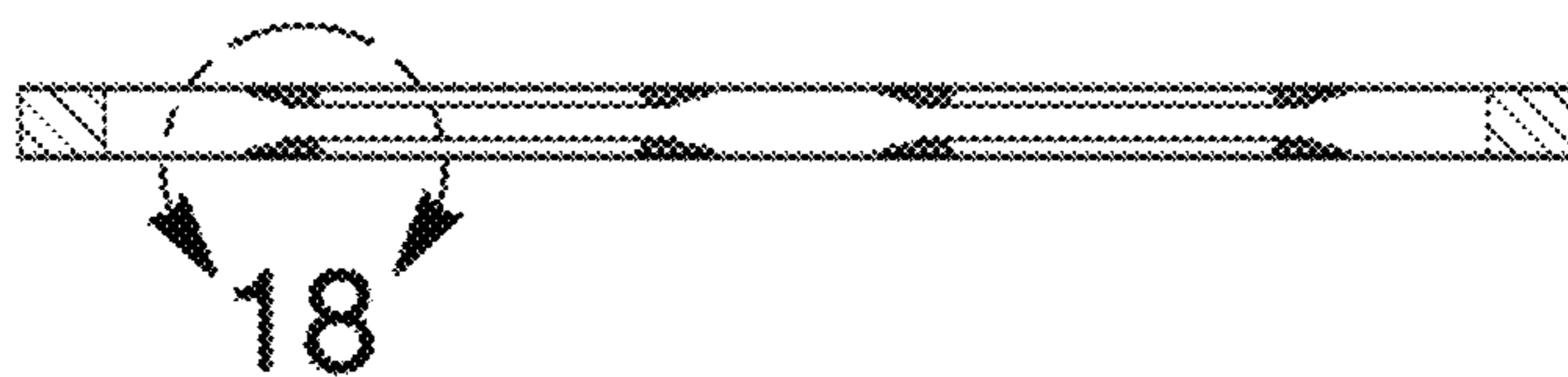


FIG. 17

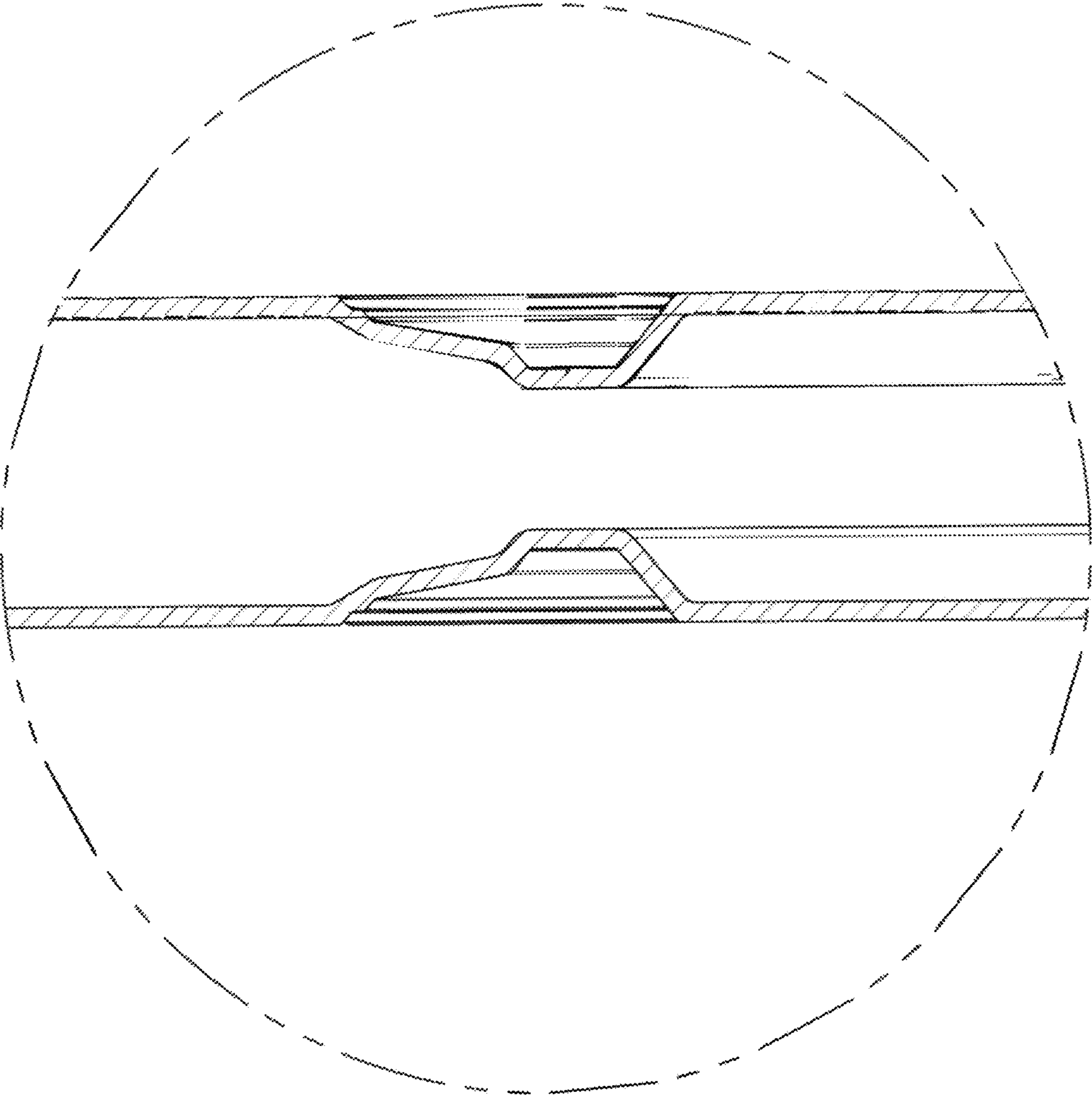


FIG. 18

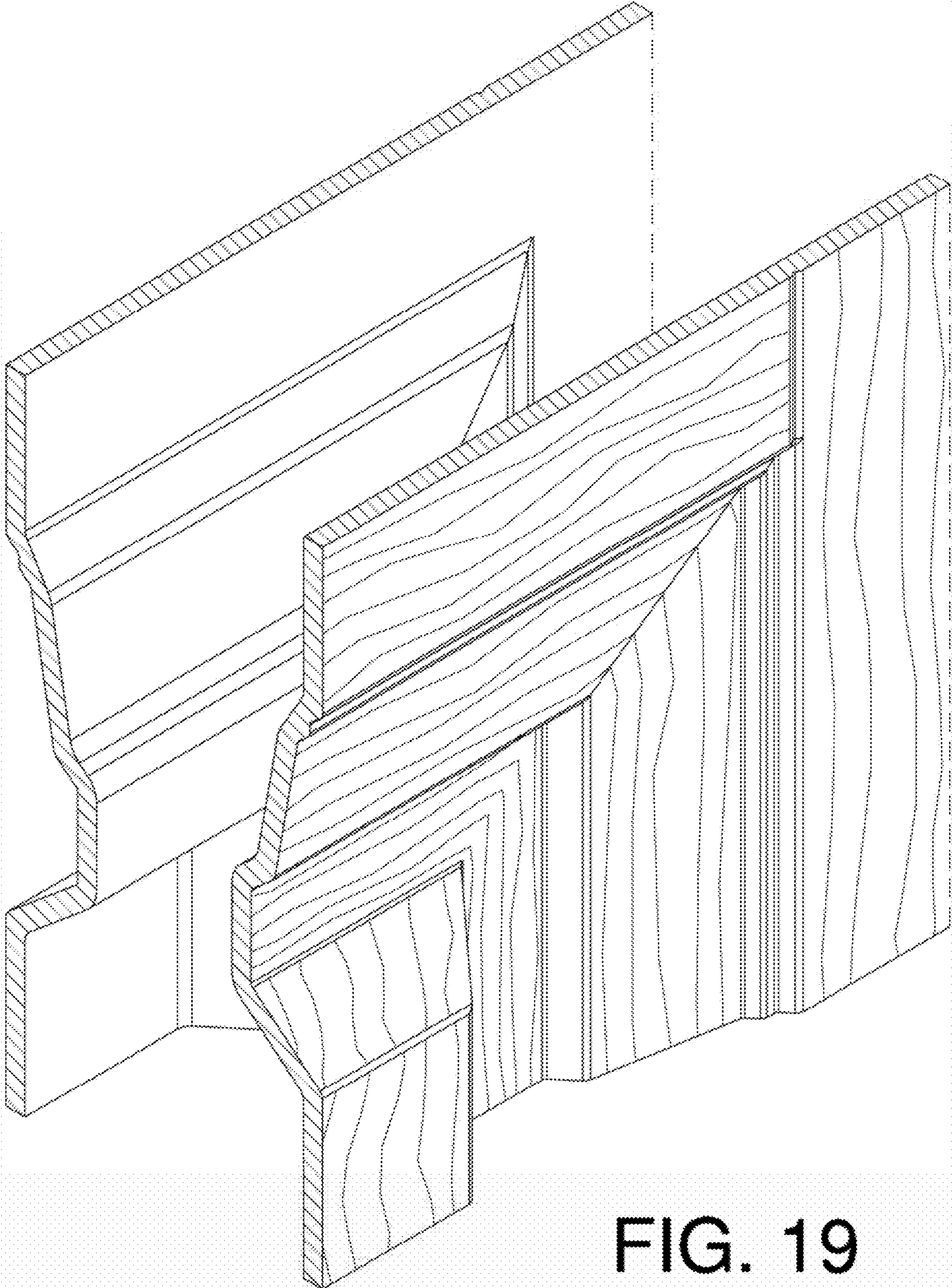


FIG. 19

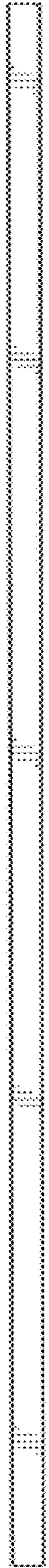


FIG. 20

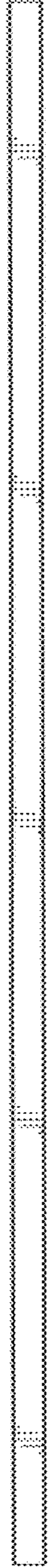


FIG. 21



FIG. 22