



US00D982779S

(12) **United States Design Patent**
Neil

(10) **Patent No.:** **US D982,779 S**

(45) **Date of Patent:** **** Apr. 4, 2023**

- (54) **WORKSTATION**
- (71) Applicant: **Miles Neil**, Aurora, IL (US)
- (72) Inventor: **Miles Neil**, Aurora, IL (US)
- (**) Term: **15 Years**
- (21) Appl. No.: **29/854,611**
- (22) Filed: **Sep. 27, 2022**
- (51) **LOC (14) Cl.** **25-03**
- (52) **U.S. Cl.**
USPC **D25/32**
- (58) **Field of Classification Search**
USPC D25/16, 32, 33, 48.2, 48.3, 59, 22, 15,
D25/17, 18, 29, 30, 34; D6/663, 667,
D6/671.1, 643; D30/108; D3/273, 294;
D21/811, 835, 838
CPC E04H 6/005; E04H 1/12; E04H 1/1216;
E04H 1/1205; E04B 1/34321; E04B
2001/34389
See application file for complete search history.

- D262,763 S * 1/1982 Lerner D6/643
- D331,843 S * 12/1992 Sakow D25/16
- D353,946 S * 1/1995 Fischer D6/332
- D402,476 S * 12/1998 Thorp D6/332
- D409,761 S 5/1999 O'Reilly
- D410,092 S 5/1999 Parks
- 6,474,025 B1 * 11/2002 Faiks A47B 83/001
52/64
- D472,976 S 4/2003 Jackson
- D497,997 S * 11/2004 Charette D24/209
- D546,967 S * 7/2007 Masuda D25/16
- D547,459 S * 7/2007 Masuda D25/16
- D566,854 S 4/2008 Blassingame et al.
- D712,497 S * 9/2014 Yang D21/797
- D720,160 S * 12/2014 Lloyd D6/643
- D728,127 S * 4/2015 Way D25/58

(Continued)

Primary Examiner — Amy C Wierenga
Assistant Examiner — Kathryn Elizabeth Zieno
 (74) *Attorney, Agent, or Firm* — Lesley A. Wallerstein, LLC

(57) **CLAIM**

The ornamental design for a workstation, as shown and described.

(56) **References Cited**

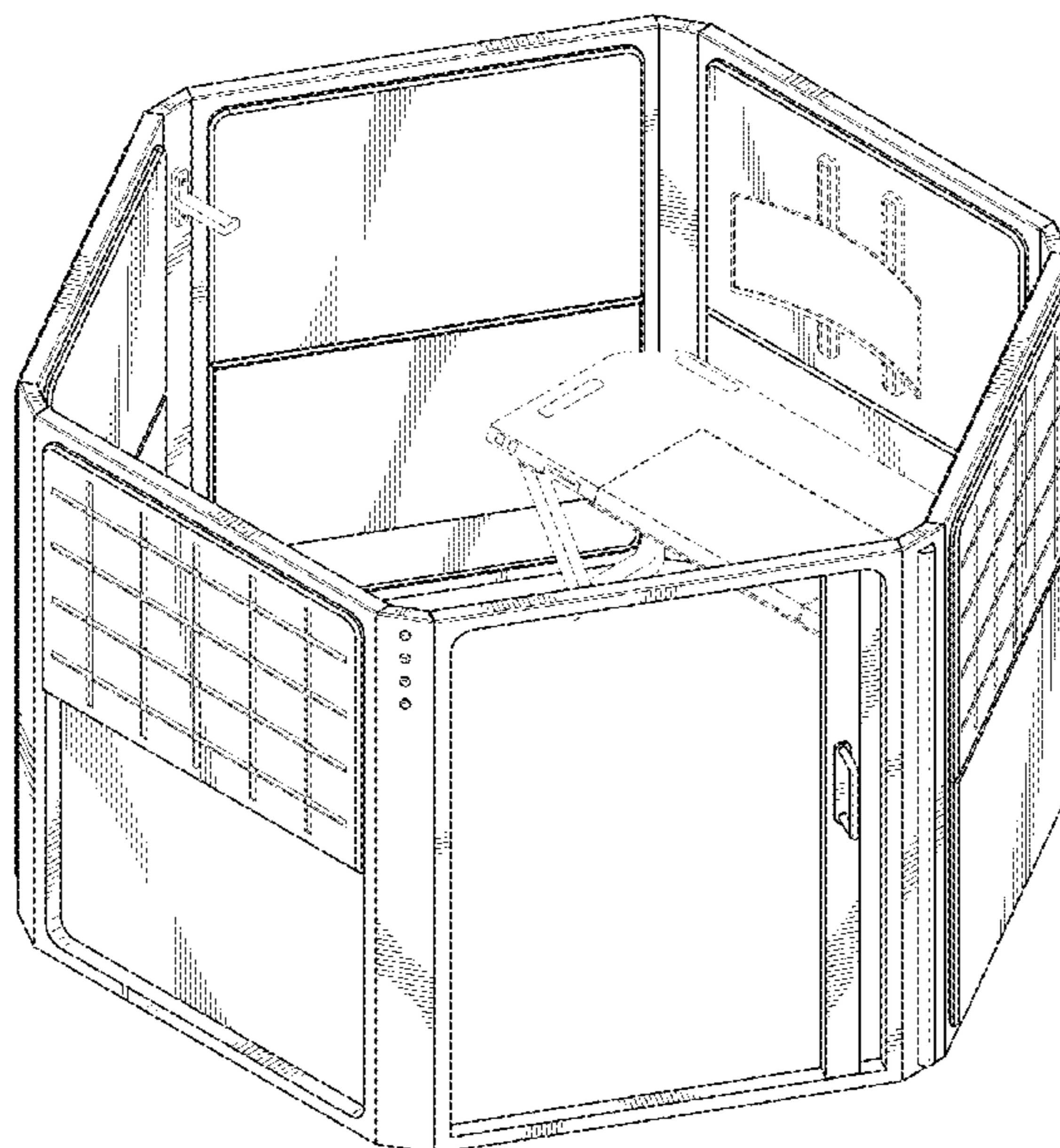
U.S. PATENT DOCUMENTS

- D228,996 S * 11/1973 Morris D6/643
- D231,062 S * 4/1974 Kramer D25/16
- D232,607 S * 9/1974 Kramer D6/643
- 3,931,771 A * 1/1976 Kramer A47B 41/00
108/77
- D242,546 S * 11/1976 Day D25/16
- 3,996,706 A * 12/1976 Bomgaars E04H 15/34
52/82
- D244,980 S * 7/1977 Kippenbrock D25/1
- D247,721 S 4/1978 Wax
- D248,264 S * 6/1978 Coleman D25/1
- D249,609 S * 9/1978 Kramer D6/643
- D251,884 S * 5/1979 Ertl D25/16
- 4,295,307 A * 10/1981 Jensen E04B 2/7425
D25/4

DESCRIPTION

FIG. 1 is a top front right perspective view of a workstation.
 FIG. 2 is a top rear left perspective view thereof.
 FIG. 3 is a top view thereof.
 FIG. 4 is a front view hereof.
 FIG. 5 is a right view thereof.
 FIG. 6 is a rear view thereof.
 FIG. 7 is a left view thereof.
 FIG. 8 is a bottom view thereof; and,
 FIG. 9 is an alternate top front right perspective view thereof.
 The broken lines throughout illustrate environmental structures and form no part of the claimed design.

1 Claim, 9 Drawing Sheets



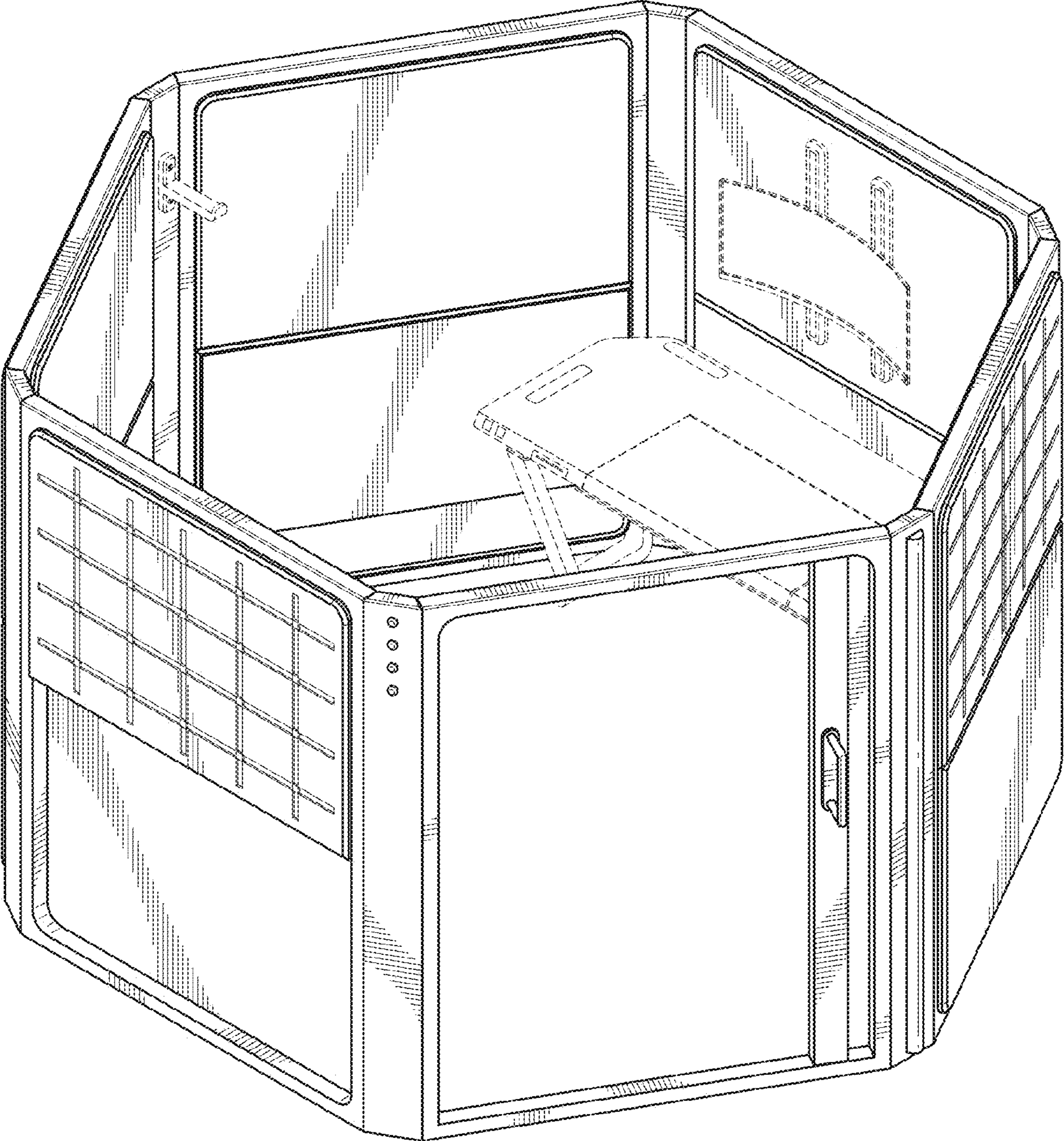


FIG. 1

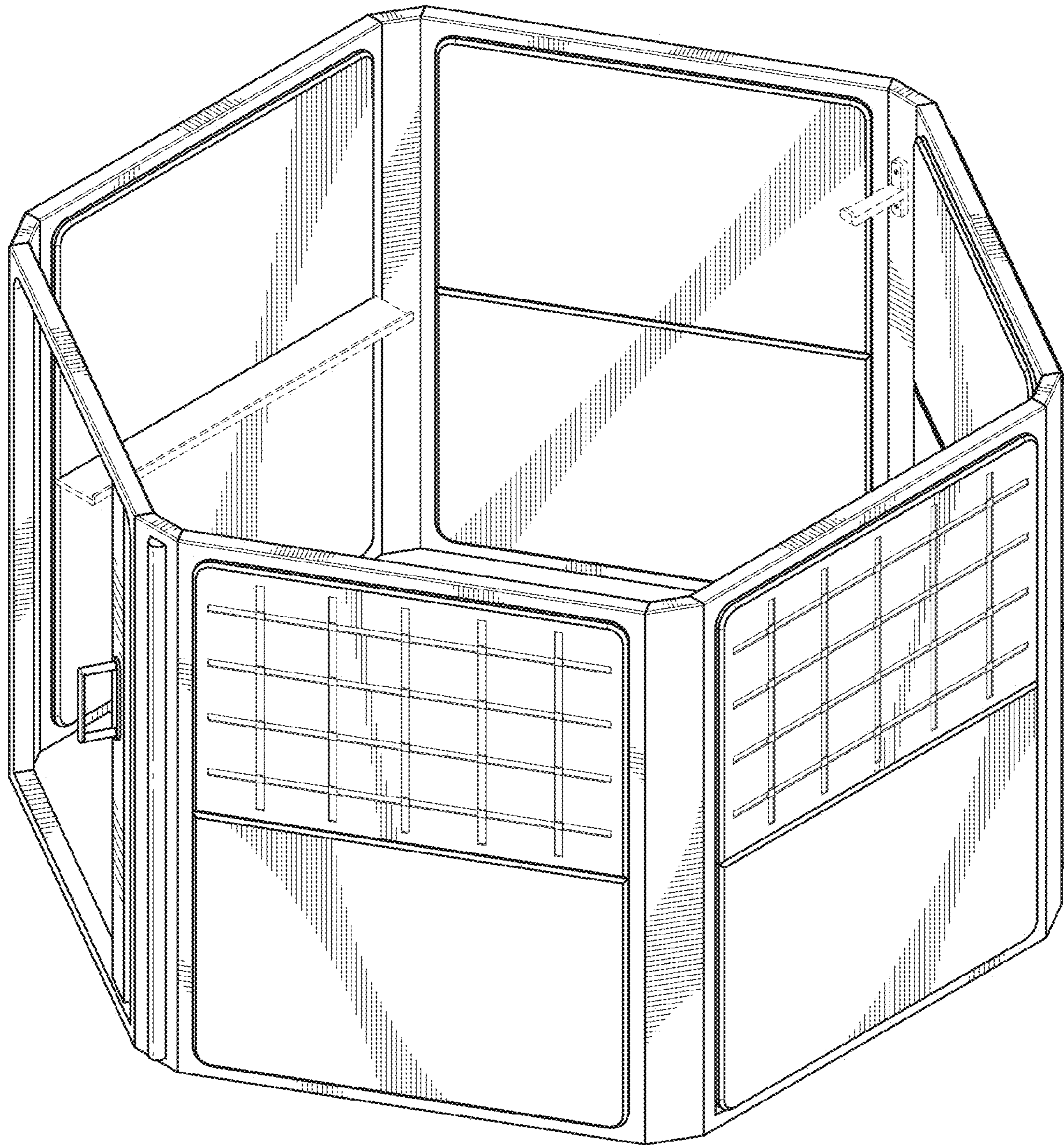


FIG. 2

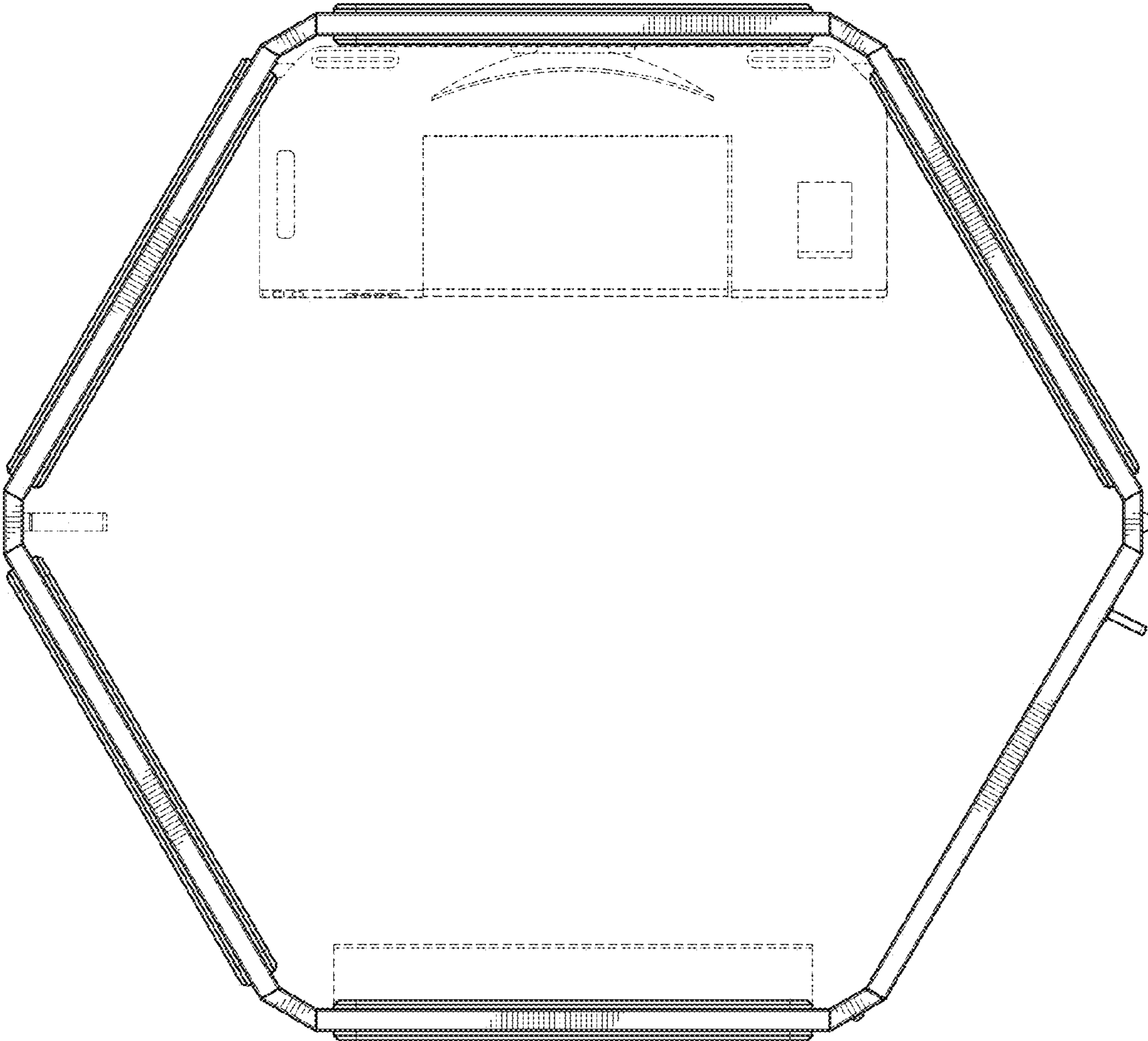


FIG. 3

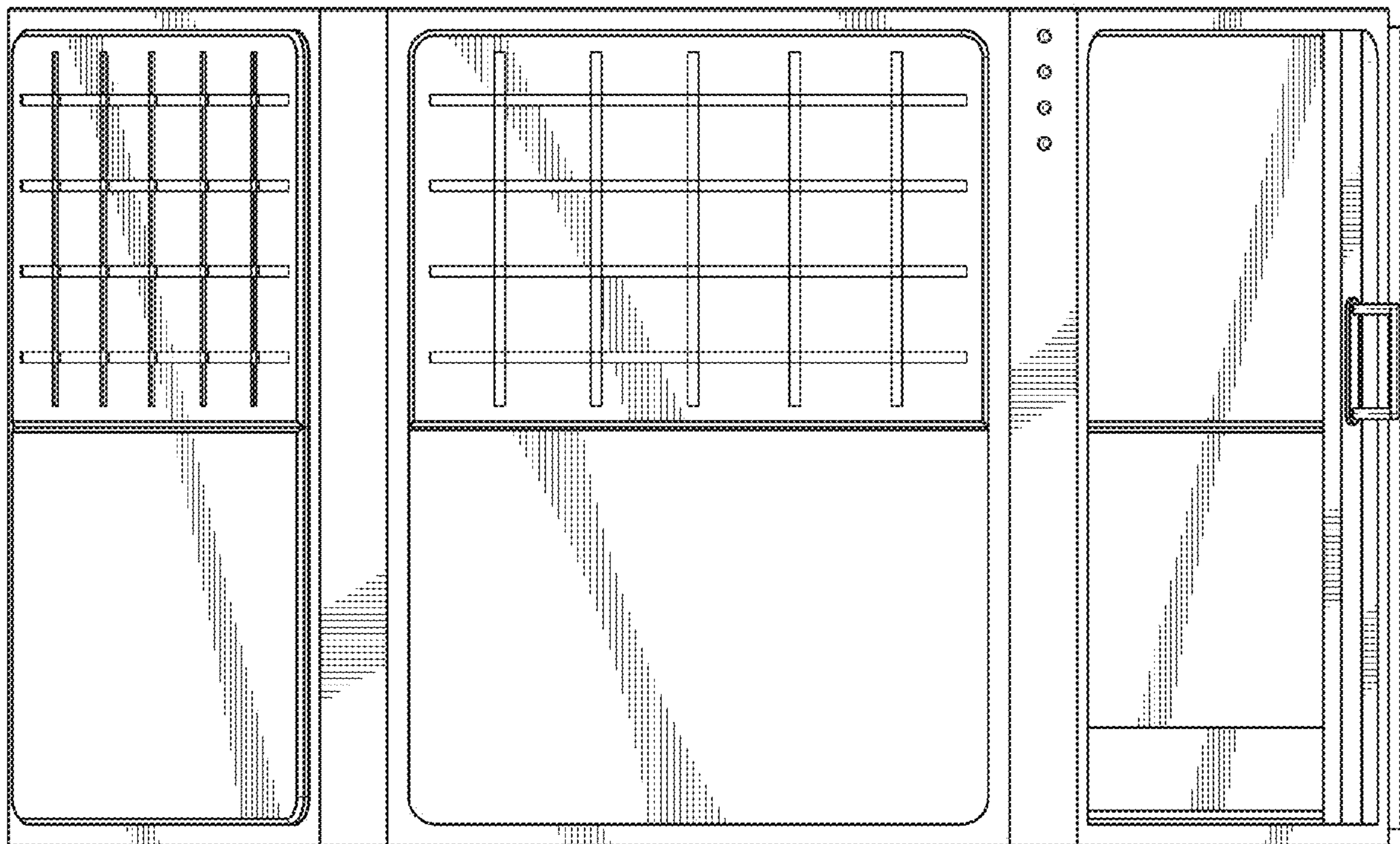


FIG. 4

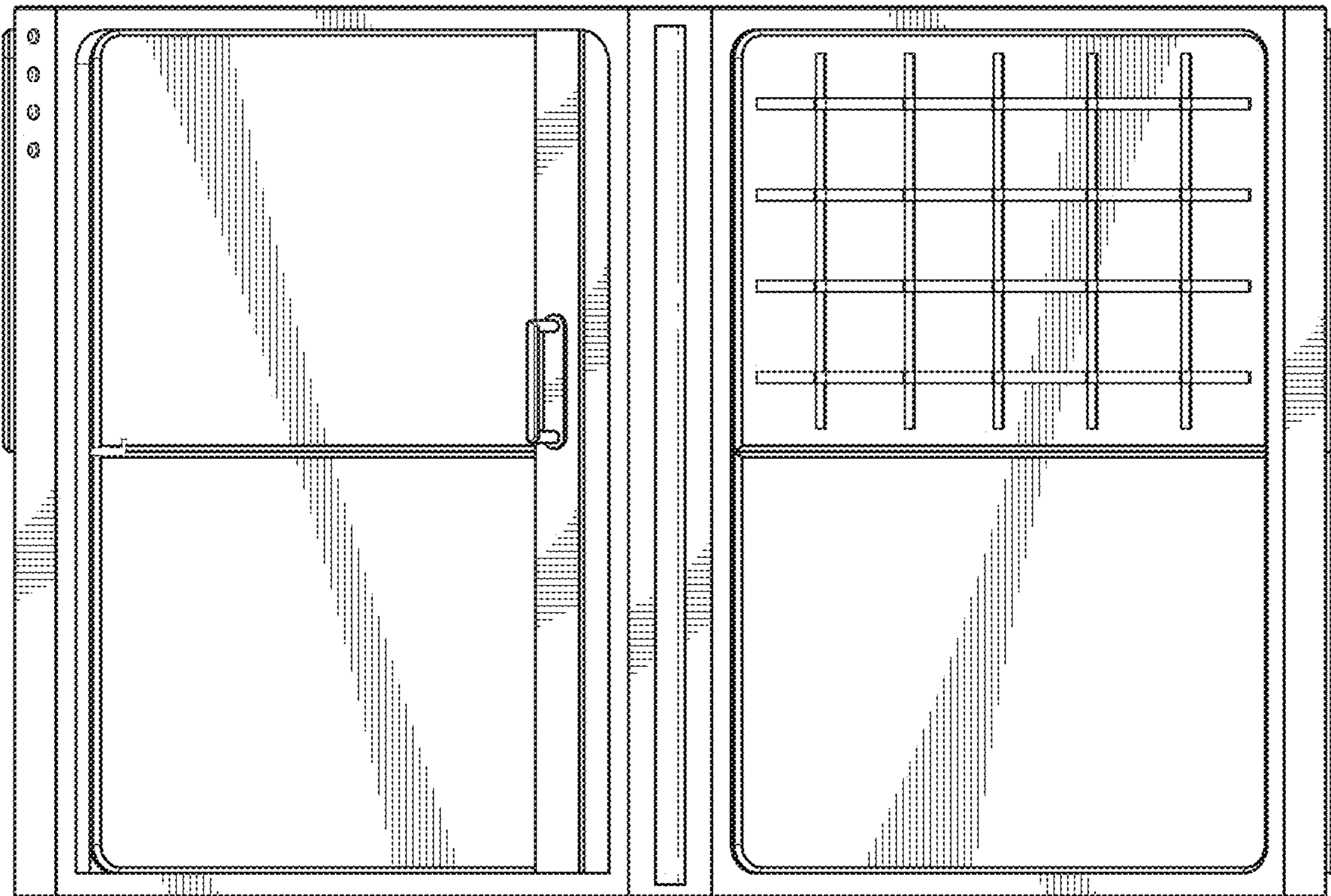


FIG. 5

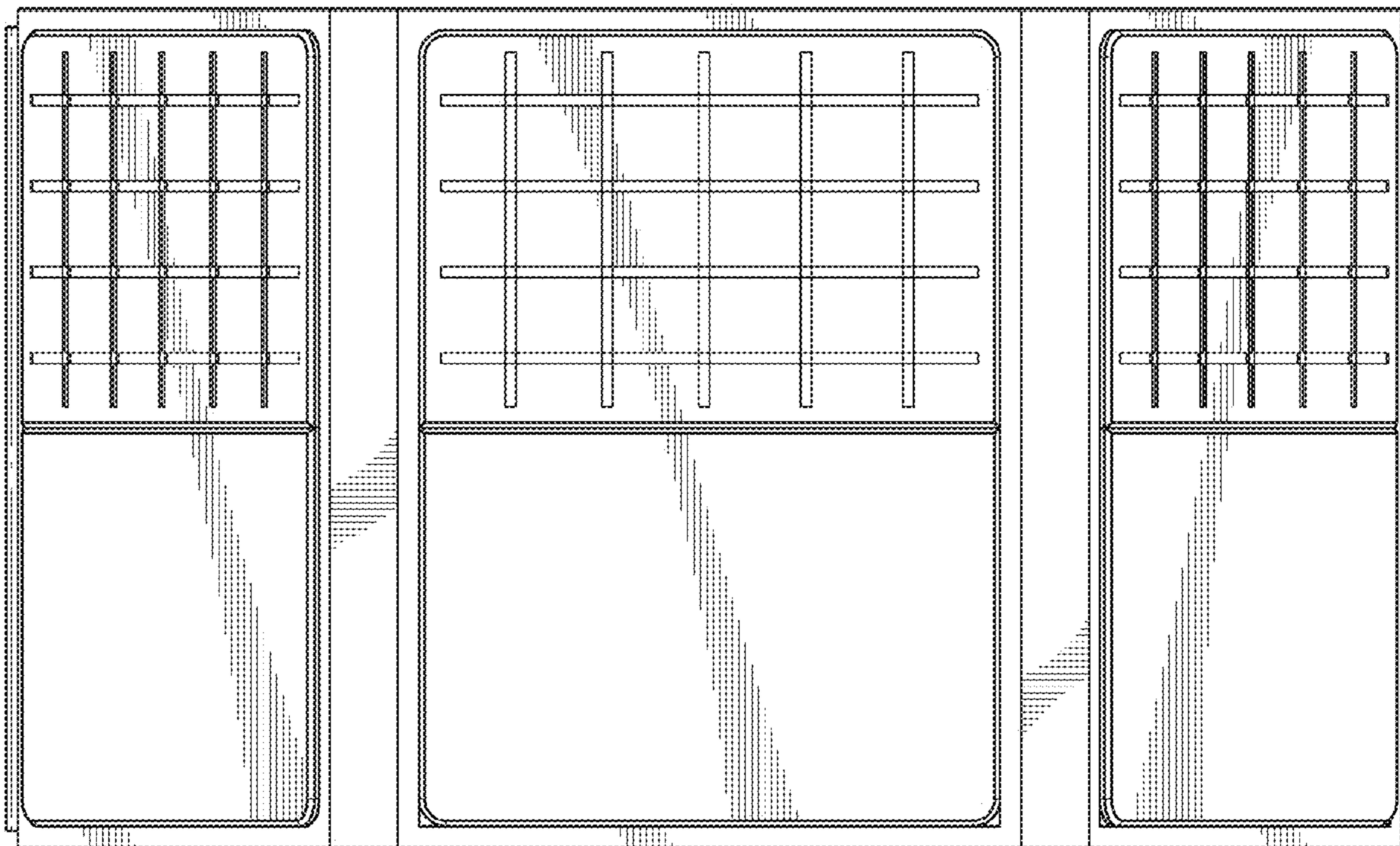


FIG. 6

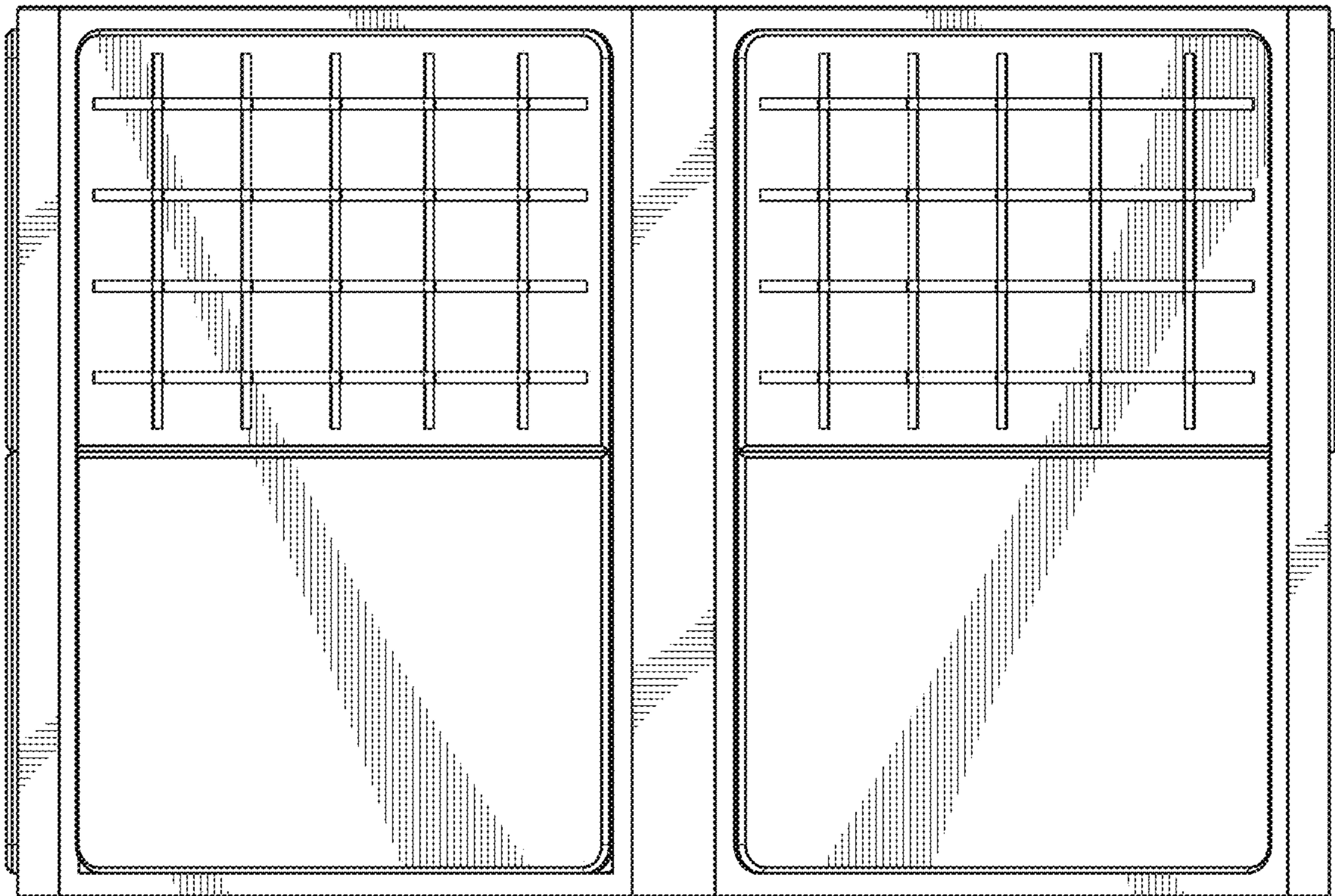


FIG. 7

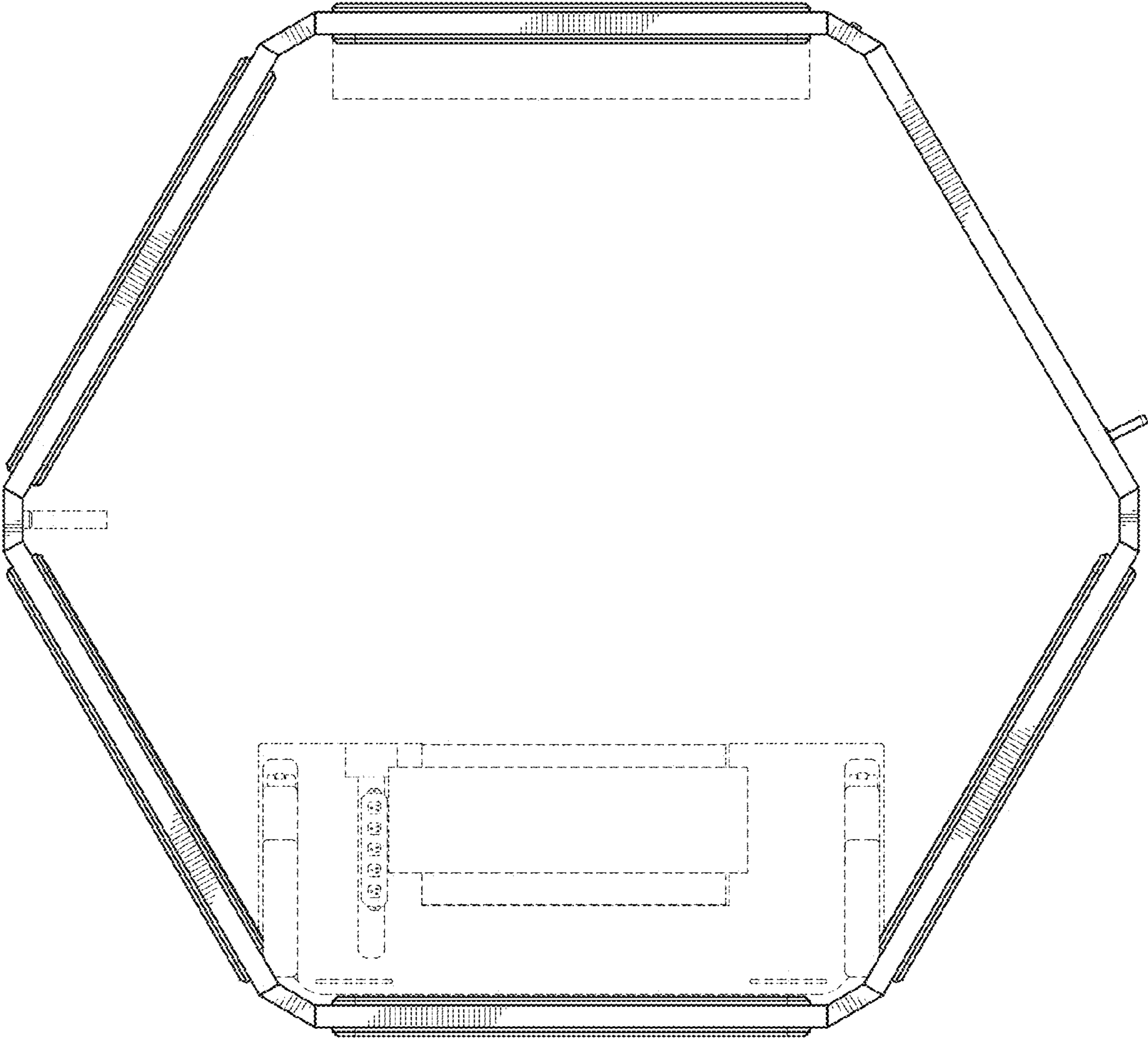


FIG. 8

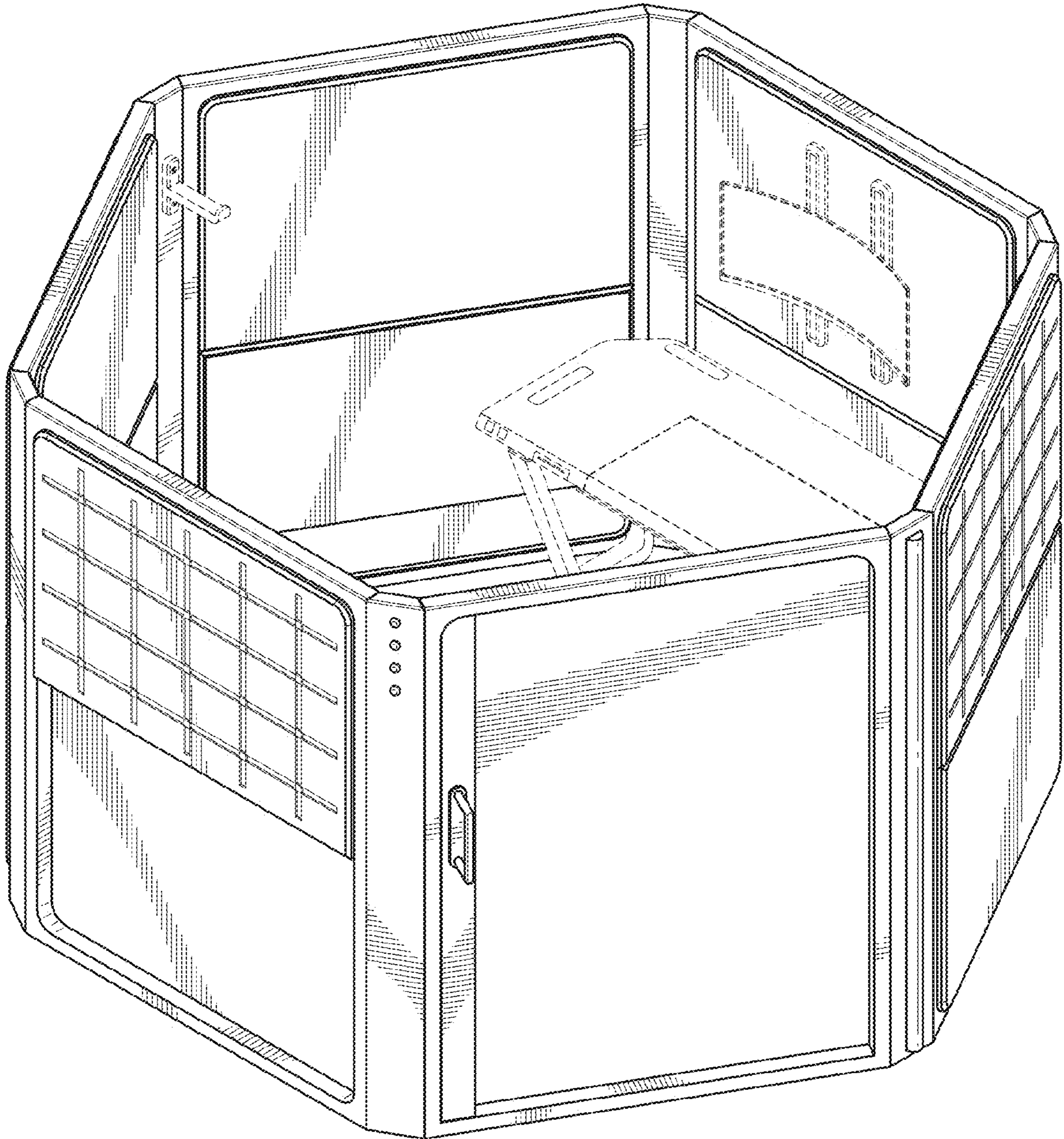


FIG. 9