



US00D982778S

(12) **United States Design Patent** (10) **Patent No.:** **US D982,778 S**
Swartz (45) **Date of Patent:** **** Apr. 4, 2023**

(54) **MOBILE HAND WASH STATION**
(71) Applicant: **Personal Protected, LLC**, New Middletown, OH (US)
(72) Inventor: **Jeff Swartz**, New Middletown, OH (US)
(73) Assignee: **Personal Protected, LLC**, New Middletown, OH (US)

2010/0073904 A1 4/2010 Collins
2014/0259378 A1* 9/2014 Combs A47K 1/02
4/643
2018/0187402 A1 7/2018 Chong et al.
2022/0025625 A1* 1/2022 Roncadori E03B 1/041
2022/0142359 A1* 5/2022 Friedman A47G 1/04

FOREIGN PATENT DOCUMENTS

DE 4013210 A1 10/1991
GB 6085959 * 3/2020
JP 2008200394 9/2008

(Continued)

(**) Term: **15 Years**
(21) Appl. No.: **29/739,037**

OTHER PUBLICATIONS

Youtube, "4 Person Wash Station", first available Feb. 15, 2017. (<https://www.youtube.com/watch?v=nSCgM6usEd0>) (Year: 2017).*

(Continued)

(22) Filed: **Jun. 22, 2020**
(51) **LOC (14) Cl.** **23-06**
(52) **U.S. Cl.**
USPC **D24/234**
(58) **Field of Classification Search**
USPC D23/270, 284, 290, 308; D24/232, 233, D24/234
CPC E03C 1/00; A61L 2/00; A61L 9/00; A61L 9/22; A47K 4/00; A47K 1/00; A47K 1/02; A47K 1/04; A47K 1/05; A47K 1/06; A47K 1/08; A47K 1/10; A47K 1/12
See application file for complete search history.

Primary Examiner — Lauren D McVey
Assistant Examiner — Justin A Johnson
(74) *Attorney, Agent, or Firm* — Emerson, Thomson & Bennett, LLC

(57) **CLAIM**

The ornamental design for a mobile hand wash station, as shown and described.

(56) **References Cited**

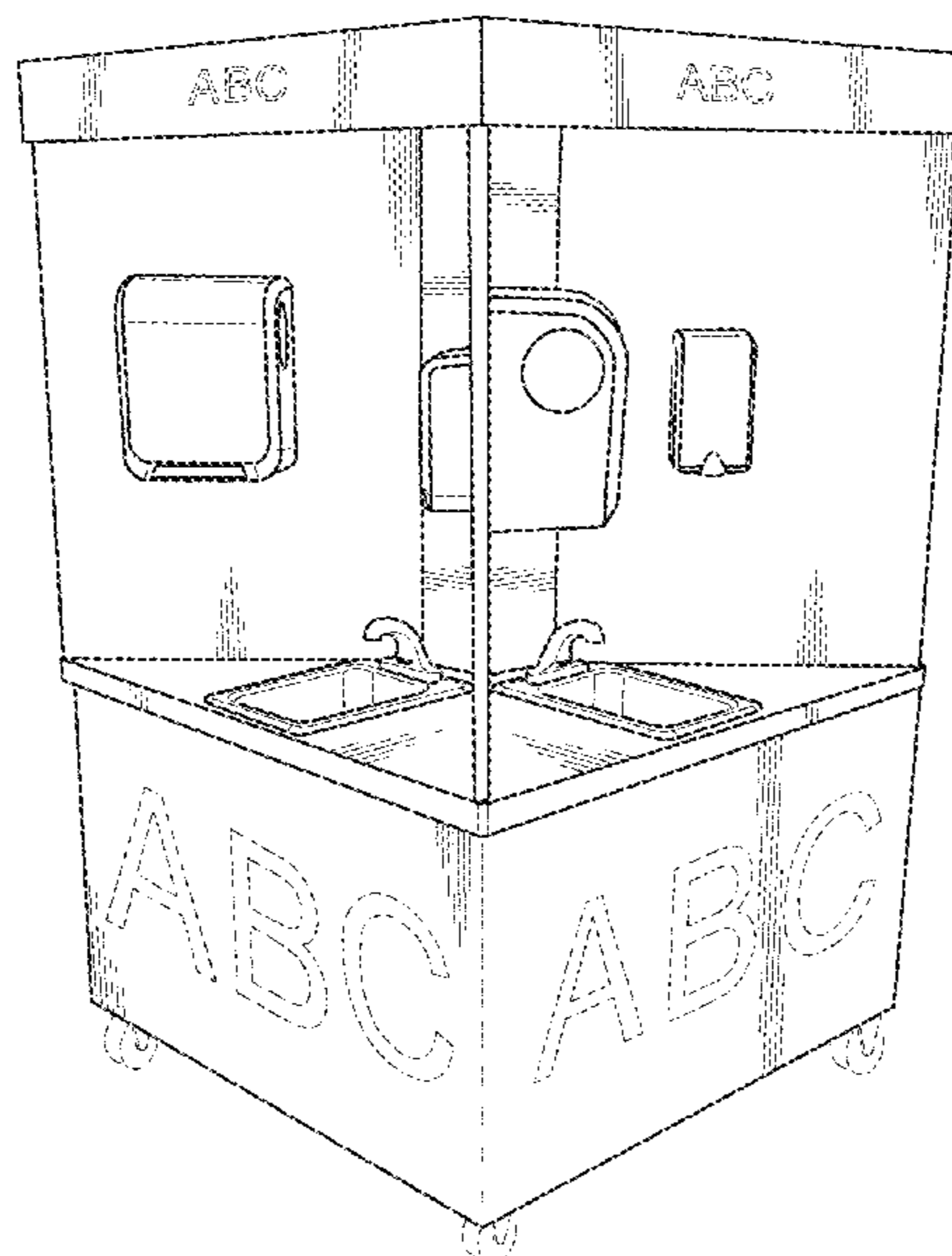
DESCRIPTION

U.S. PATENT DOCUMENTS

D110,530 S * 7/1938 Vaughn D23/290
2,810,916 A * 10/1957 Cullen E03C 1/33
D23/290
D191,262 S * 9/1961 Liptay D24/234
D300,058 S * 2/1989 Emanuele D23/286
D594,557 S * 6/2009 Hirayoshi D24/177
D613,344 S * 4/2010 Hradisky D21/524
D632,765 S * 2/2011 Stob D23/270
D662,595 S * 6/2012 Swanek D24/185
D706,949 S * 6/2014 Haluska D24/234
11,064,843 B1 * 7/2021 Swartz A47K 1/02

FIG. 1 is a perspective view of a mobile hand wash station, showing my new design;
FIG. 2 is a top view thereof with additional broken line environment and with the roof removed;
FIG. 3 is a side view of FIG. 1;
FIG. 4 is a perspective side view of FIG. 1; and,
FIG. 5 is a perspective bottom view of FIG. 1.
The broken lines in the drawings depict environment and form no part of the claimed design.

1 Claim, 5 Drawing Sheets



(56)

References Cited

FOREIGN PATENT DOCUMENTS

JP 2008200394 A 9/2008

OTHER PUBLICATIONS

All Portable Sinks, “Outdoor Hand Washing Stations”, first available Jan. 30, 2019. (<https://allportablesinks.com/blogs/news/outdoor-hand-washing-stations>) (Year: 2019).*

Instagram, “personalprotected”, first available Jun. 16, 2020. (<https://www.instagram.com/p/CBgkf8upGcS/>) (Year: 2020).*

LRS, “Pitstop Hand Wash Station”, first accessed Aug. 3, 2022. (<https://www.lrsrecycles.com/hand-wash-stations/>) (Year: 2022).*

<https://www.umci.com/news-views/news/supporting-communities-with-touch-free-wash-stations>, Apr. 8, 2020.

<https://aaamobilesolutions.com/handwash-trailers/>, date unknown.

<https://www.elkaycommercialsystems.com/us/en/products/soapwell.html>, date unknown.

<https://www.youtube.com/watch?v=-T5mqEzTqqo>, Apr. 24, 2020.

Soapwell by Elkay, Touchless Hand Washing Station Model MHS2424HF Product Specification Sheet, date unknown.

<https://www.belson.com/4-Person-Wash-Hand-Washirig-Station>; Screenshot of a webpage of a 4 person hand washing station; Date: Unknown; 1 Page.

<https://www.youtube.com/watch?v=-TV5mqEzTqqo>; screenshot of a YouTube page for Soapwell by Elkay; Apr. 24, 2020; 5 pages.

* cited by examiner

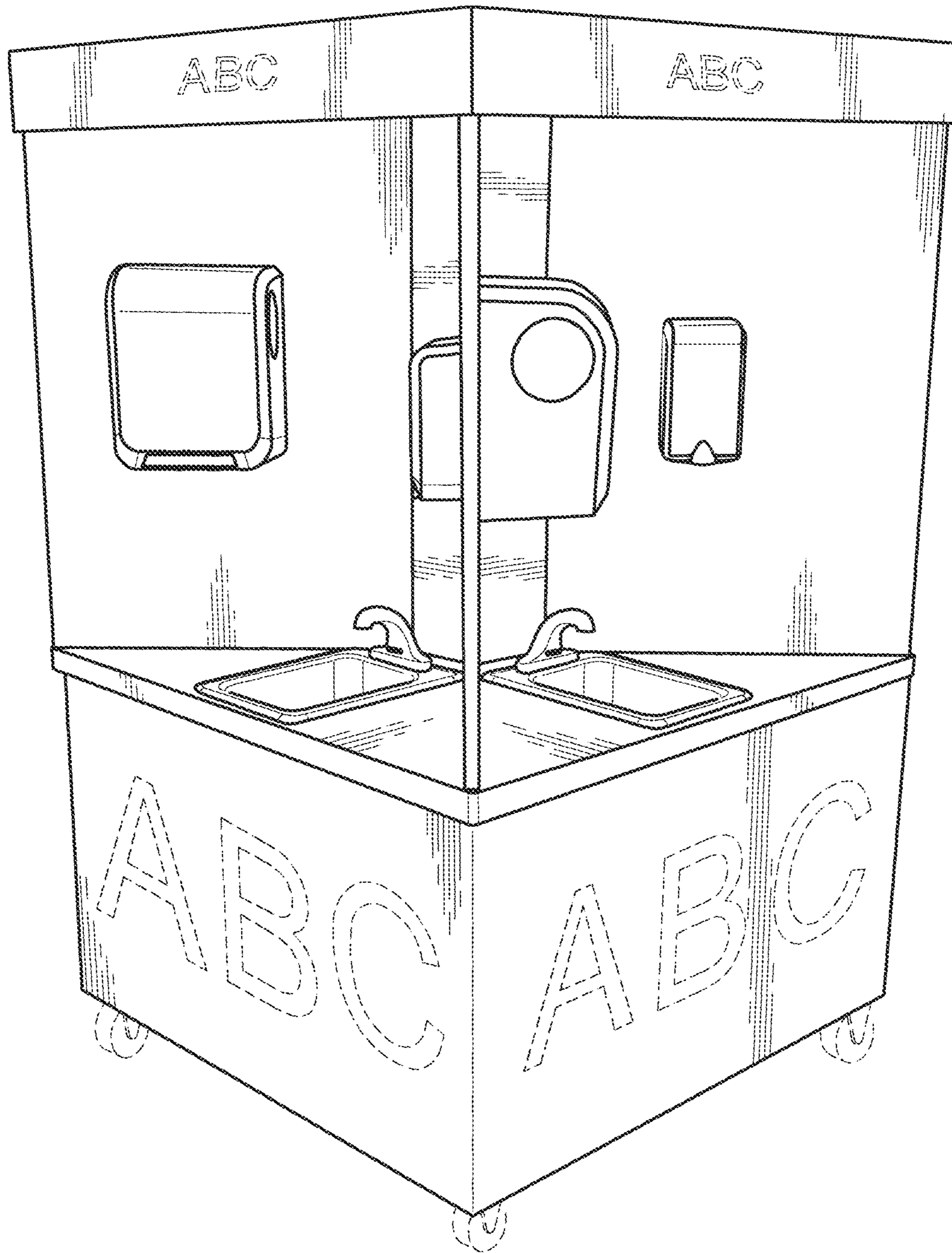


FIG. 1

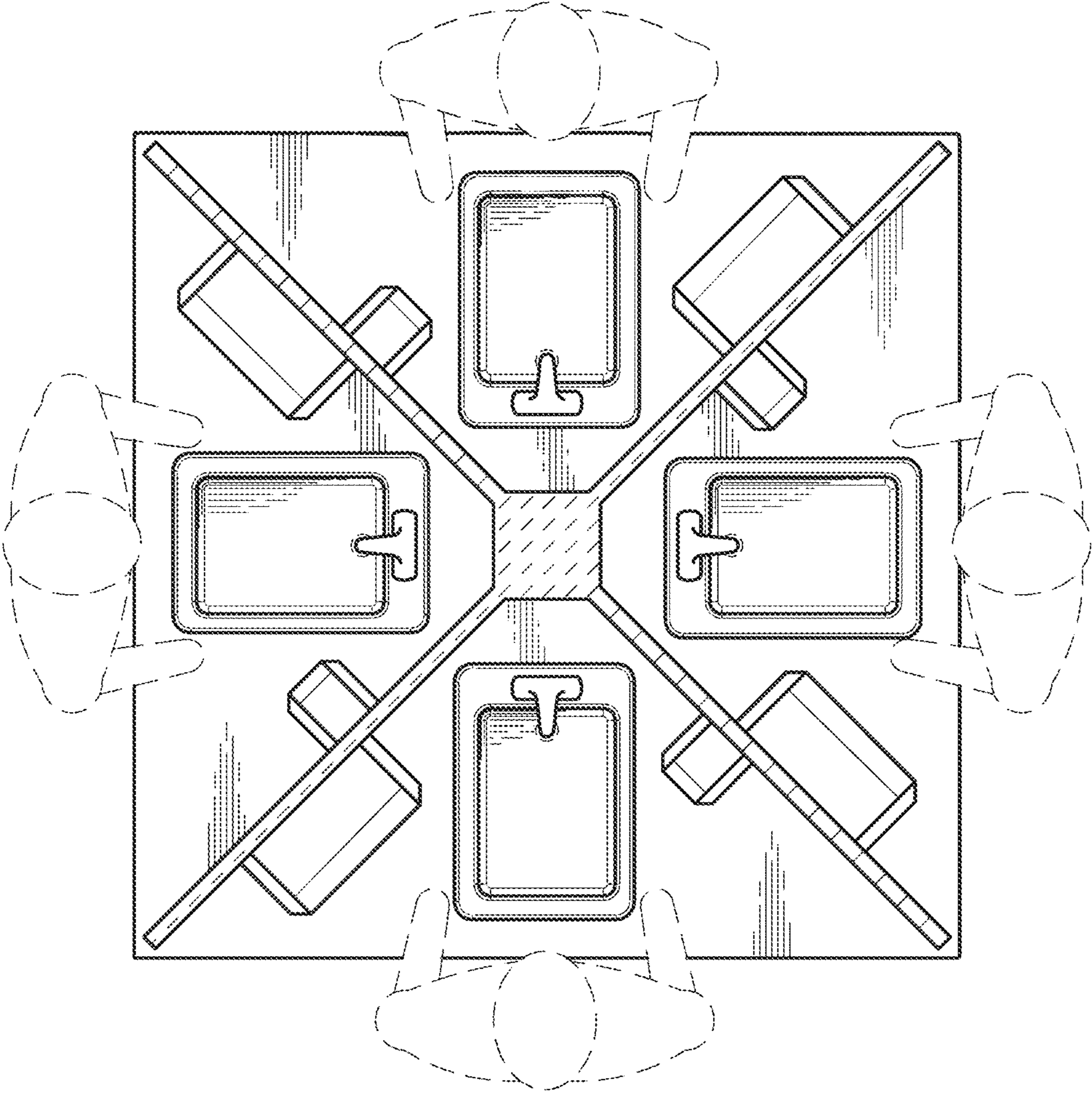


FIG. 2

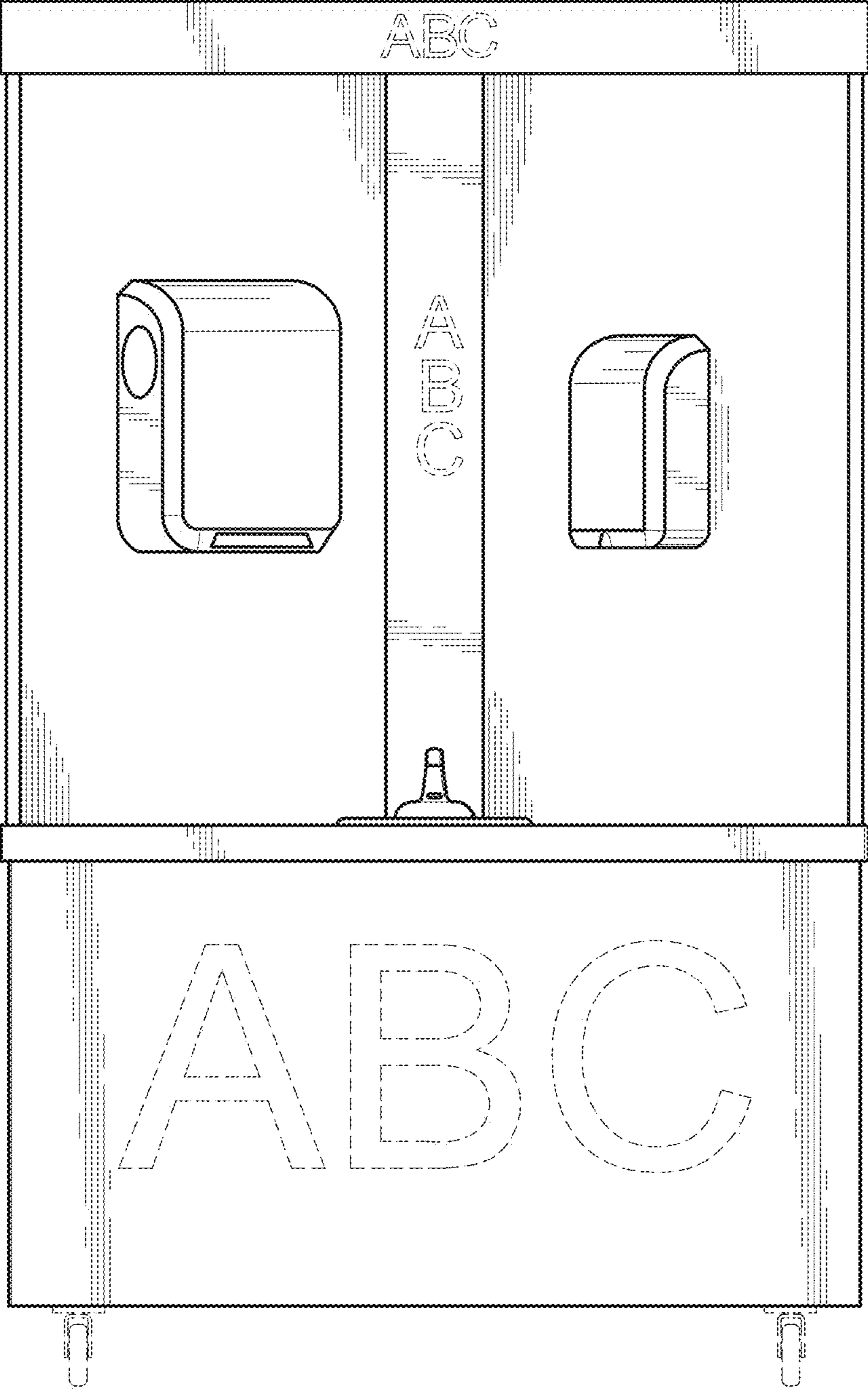


FIG. 3

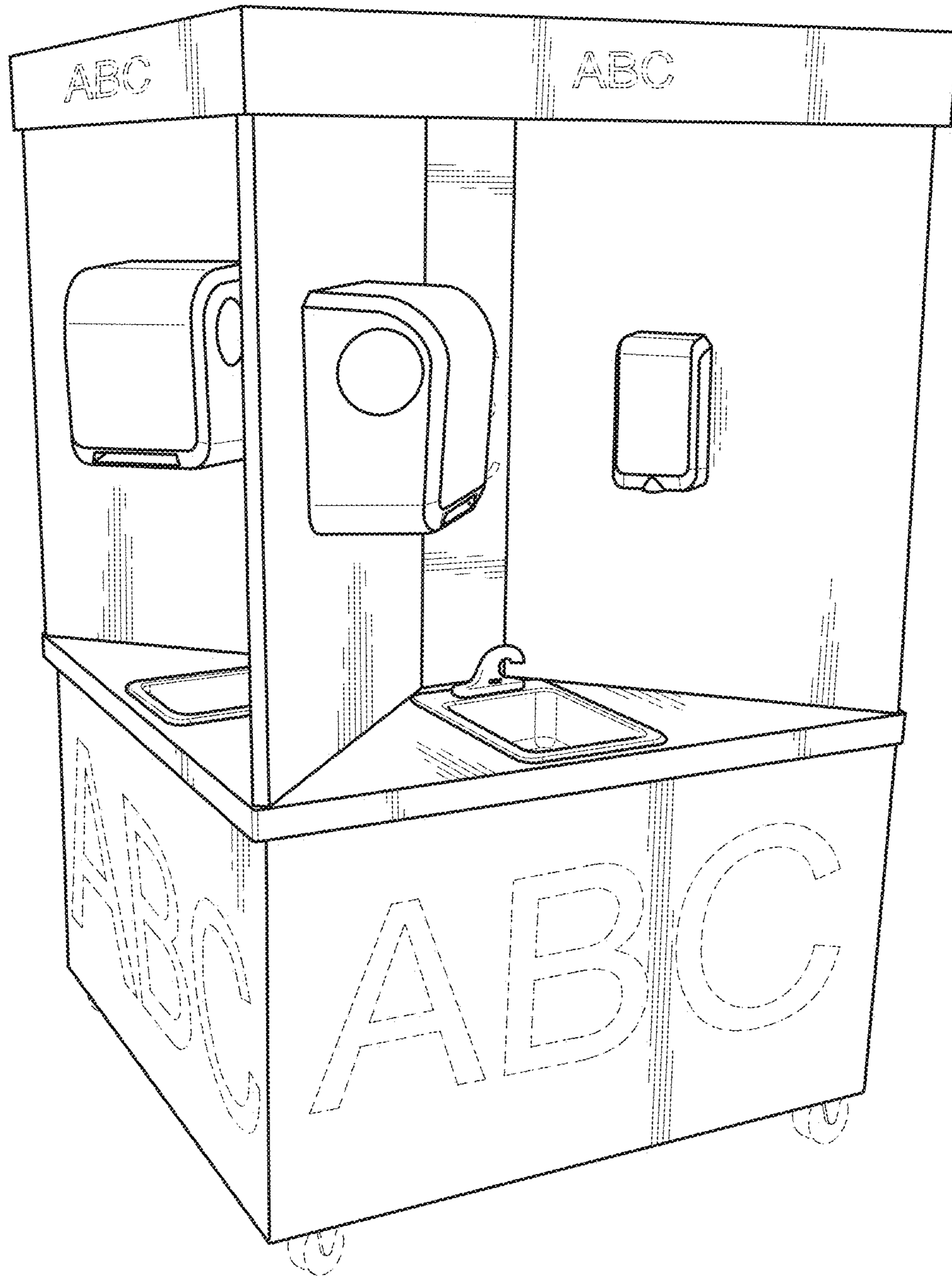


FIG. 4

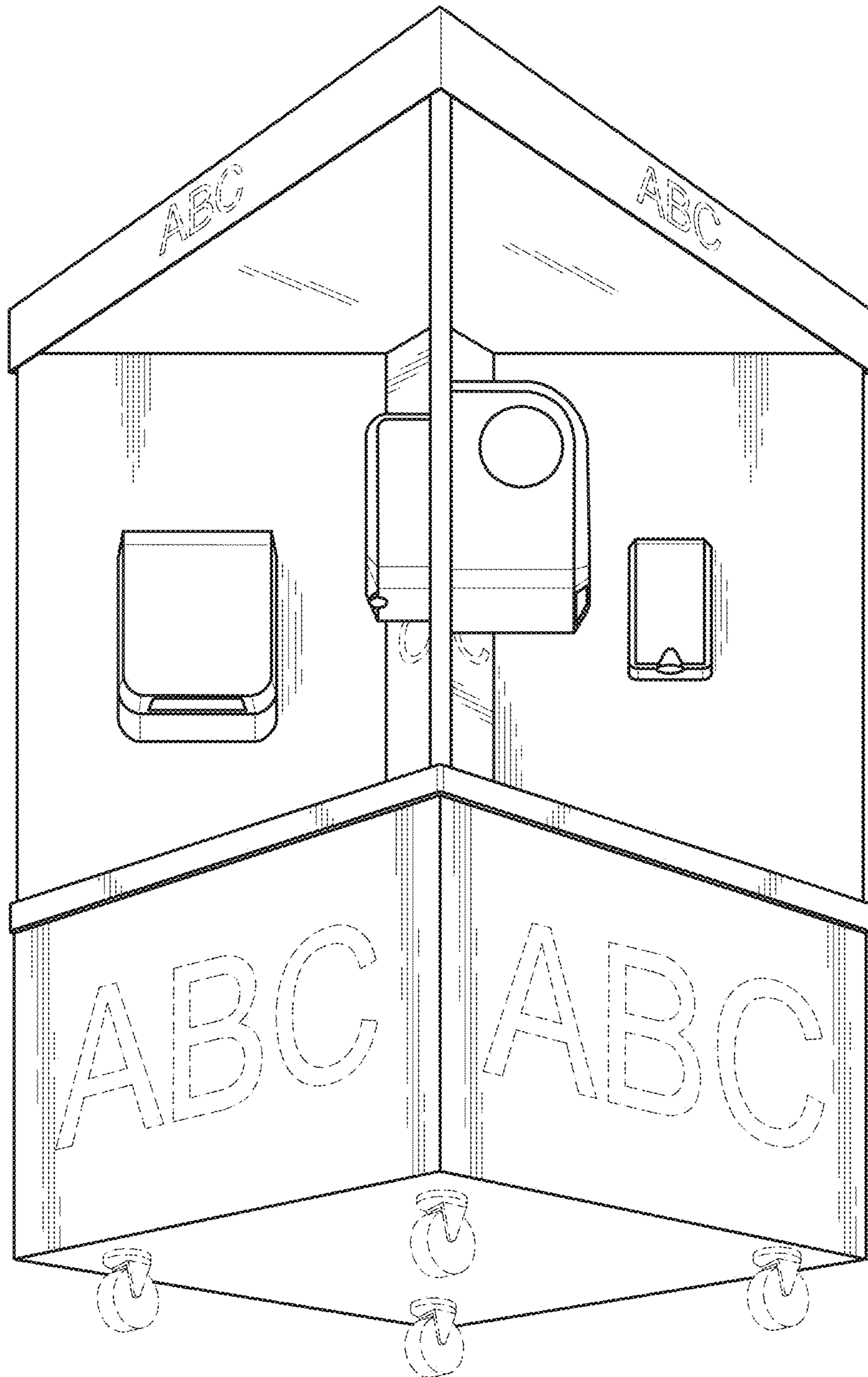


FIG. 5