



US00D982777S

(12) **United States Design Patent**
Samadpour

(10) **Patent No.:** **US D982,777 S**
(45) **Date of Patent:** **** Apr. 4, 2023**

- (54) **LABORATORY INSTRUMENT HOUSING**
- (71) Applicant: **Institute for Environmental Health, Inc.**, Lake Forest Park, WA (US)
- (72) Inventor: **Mansour Samadpour**, Lake Forest Park, WA (US)
- (73) Assignee: **Institute for Environmental Health, Inc.**, Lake Forest Park, WA (US)
- (**) Term: **15 Years**
- (21) Appl. No.: **29/754,688**
- (22) Filed: **Oct. 13, 2020**
- (51) **LOC (14) Cl.** **24-01**
- (52) **U.S. Cl.**
USPC **D24/232**
- (58) **Field of Classification Search**
USPC D24/107, 121, 186, 216, 217, 223–227,
D24/231, 232, 233; D10/81
CPC ... B01L 7/52; B01L 7/54; G01N 2035/00356;
G01N 2035/00455
See application file for complete search history.

D934,414 S * 10/2021 Chazel D24/119
D941,488 S * 1/2022 Fang D24/216
D950,769 S * 5/2022 Klintstedt D24/224

OTHER PUBLICATIONS

Ampliyus, LLC, U.S. Trademark Registration No. 6193276, issued Nov. 10, 2020, <https://tsdr.uspto.gov/#caseNumber=88/769549&caseSearchType=US_APPLICATION&caseType=DEFAULT&searchType=statusSearch> [retrieved Oct. 13, 2022], 2 pages.

* cited by examiner

Primary Examiner — Anhdao Doan

(74) *Attorney, Agent, or Firm* — Barry L. Davison; Davis Wright Tremaine LLP

(57) **CLAIM**

The ornamental design for a laboratory instrument housing, as shown and described.

DESCRIPTION

FIG. 1 is a top front perspective view of a laboratory instrument housing showing my new design. FIG. 2 is a bottom rear perspective view thereof. FIG. 3 is a left side elevational view thereof. FIG. 4 is a front elevational view thereof. FIG. 5 is a rear elevational view thereof. FIG. 6 is a right side elevational view thereof. FIG. 7 is a top view thereof; and, FIG. 8 is a bottom view thereof.

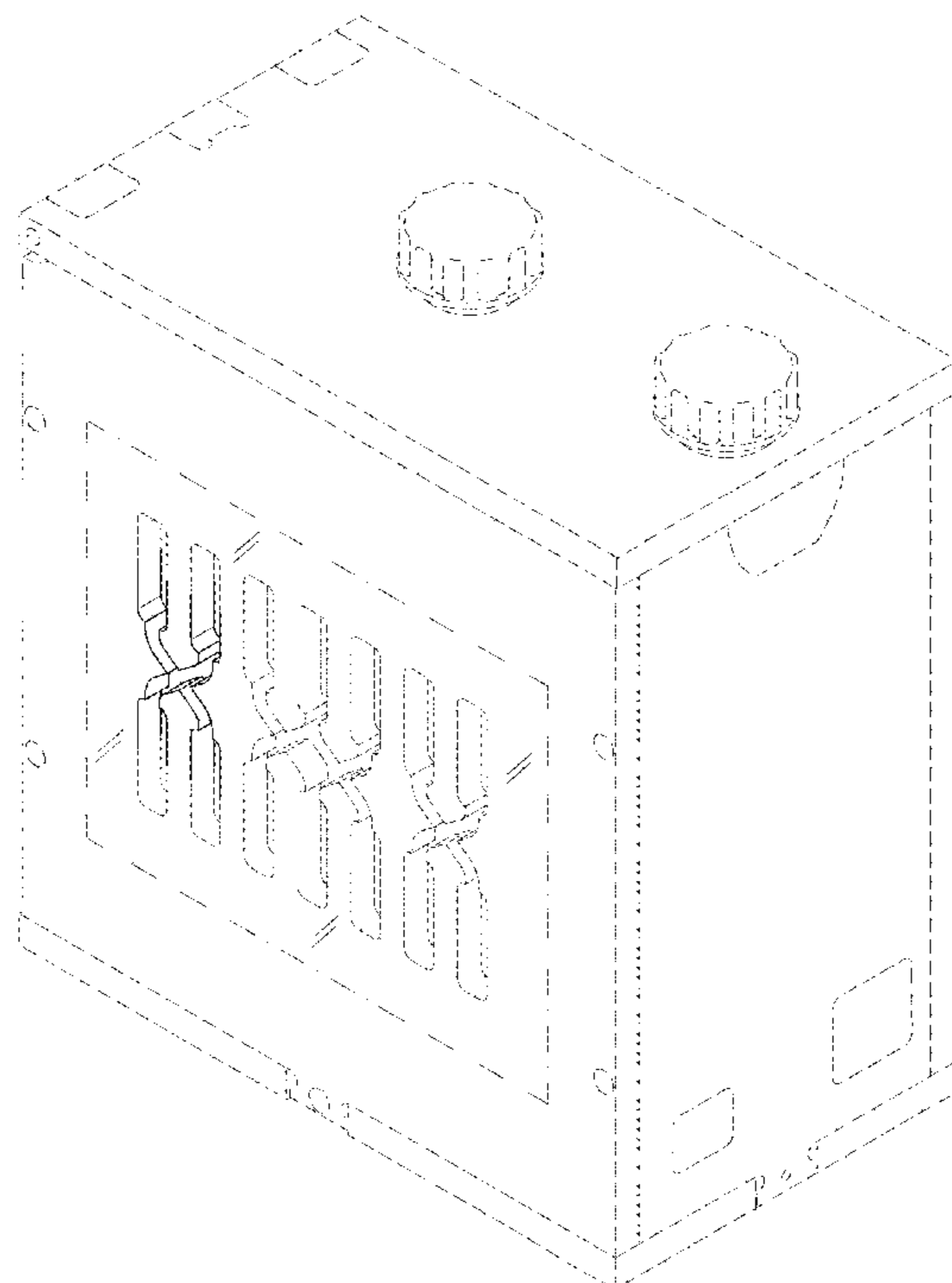
The dash-dot-dash lines represent the boundaries of the claim and form no part of the claimed design. The evenly broken lines illustrate portions of the laboratory instrument housing that form no part of the claimed design.

1 Claim, 7 Drawing Sheets

(56) **References Cited**

U.S. PATENT DOCUMENTS

D621,038 S * 8/2010 Maxa D24/130
D717,968 S * 11/2014 Klein D24/232
D722,703 S * 2/2015 Fuller D24/223
D770,639 S * 11/2016 Till D24/232
D774,206 S * 12/2016 Boo D24/232
D817,509 S * 5/2018 McMullin D24/216
D825,778 S * 8/2018 Brenner D24/232



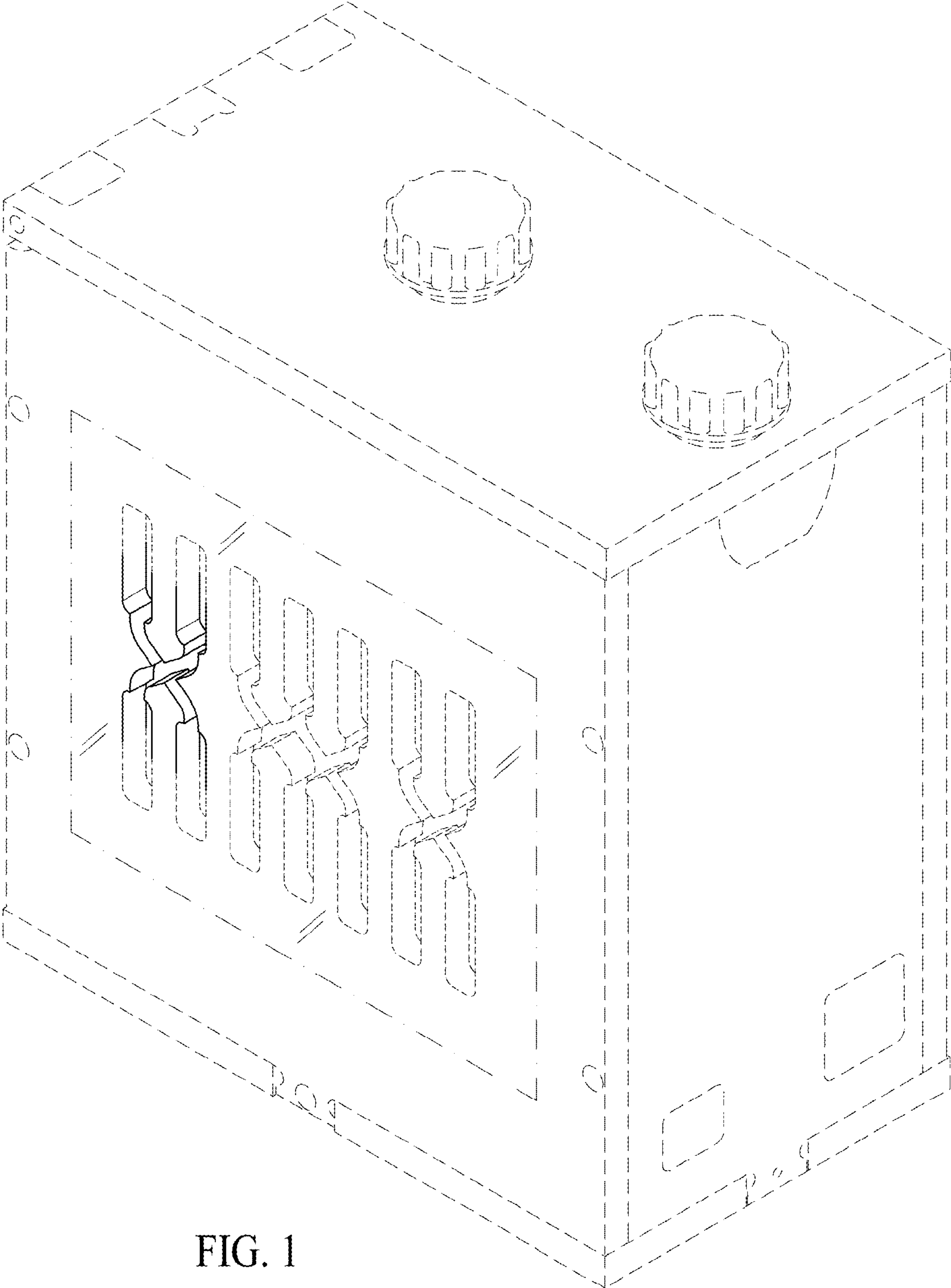


FIG. 1

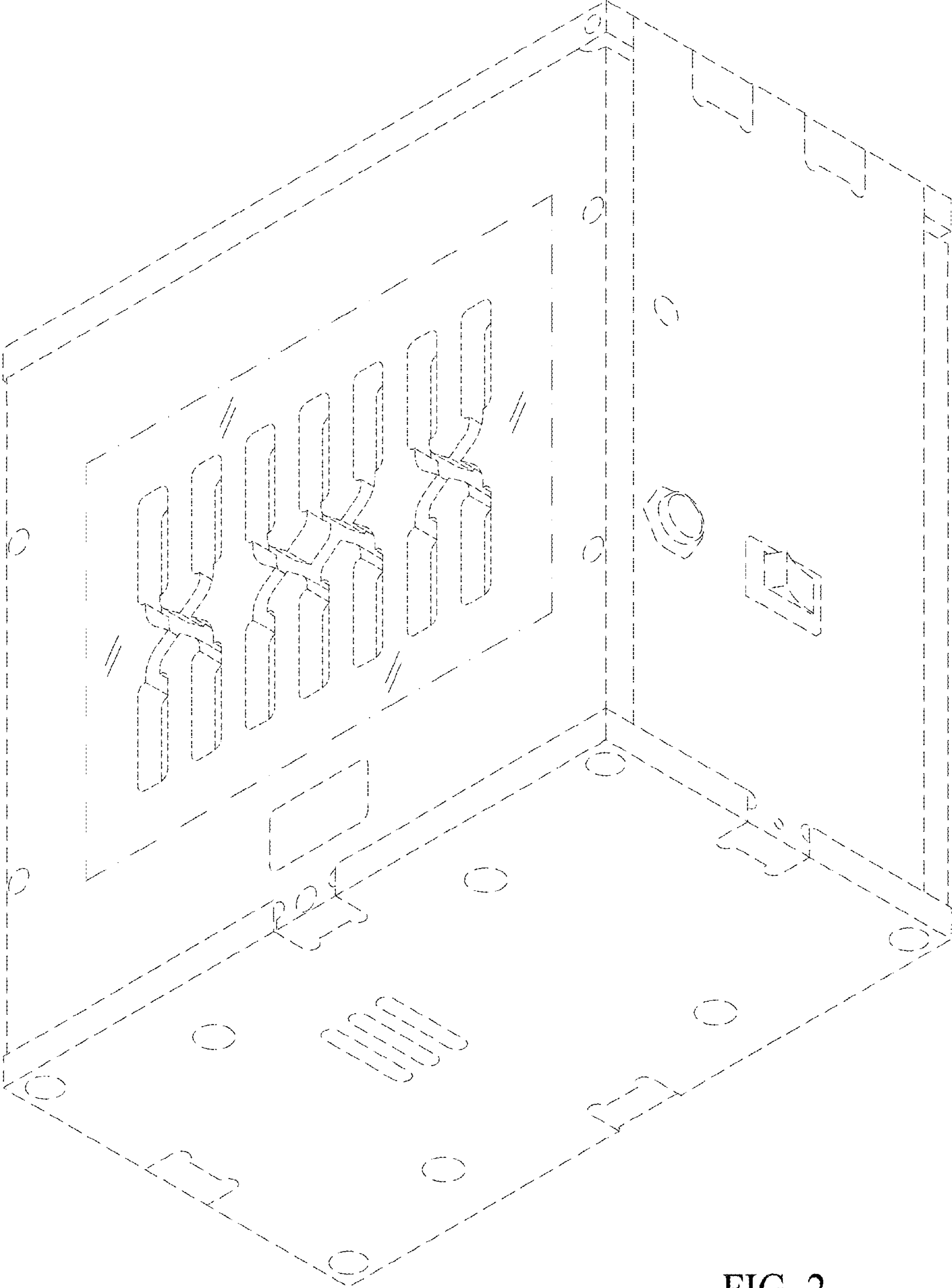


FIG. 2

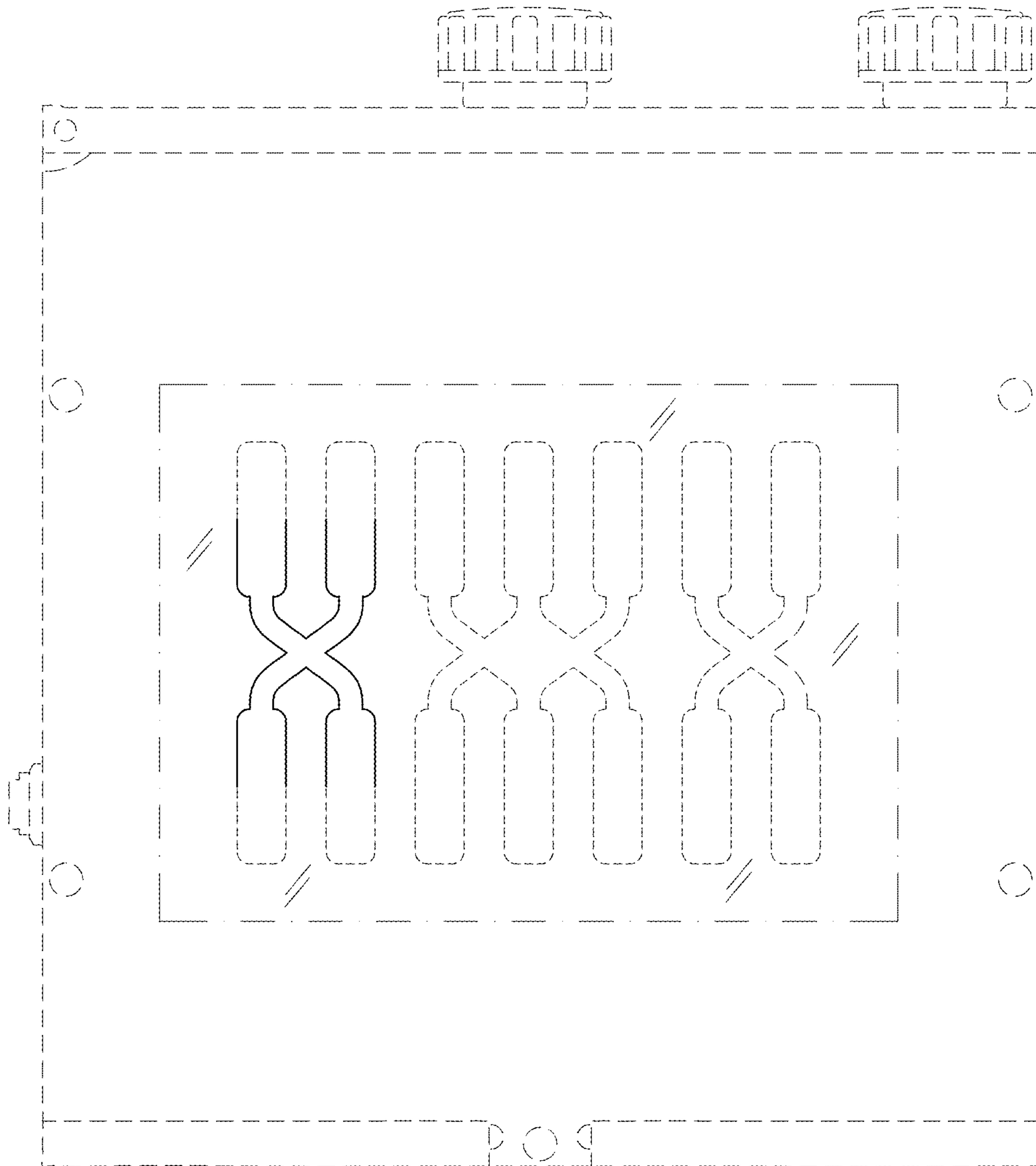


FIG. 3

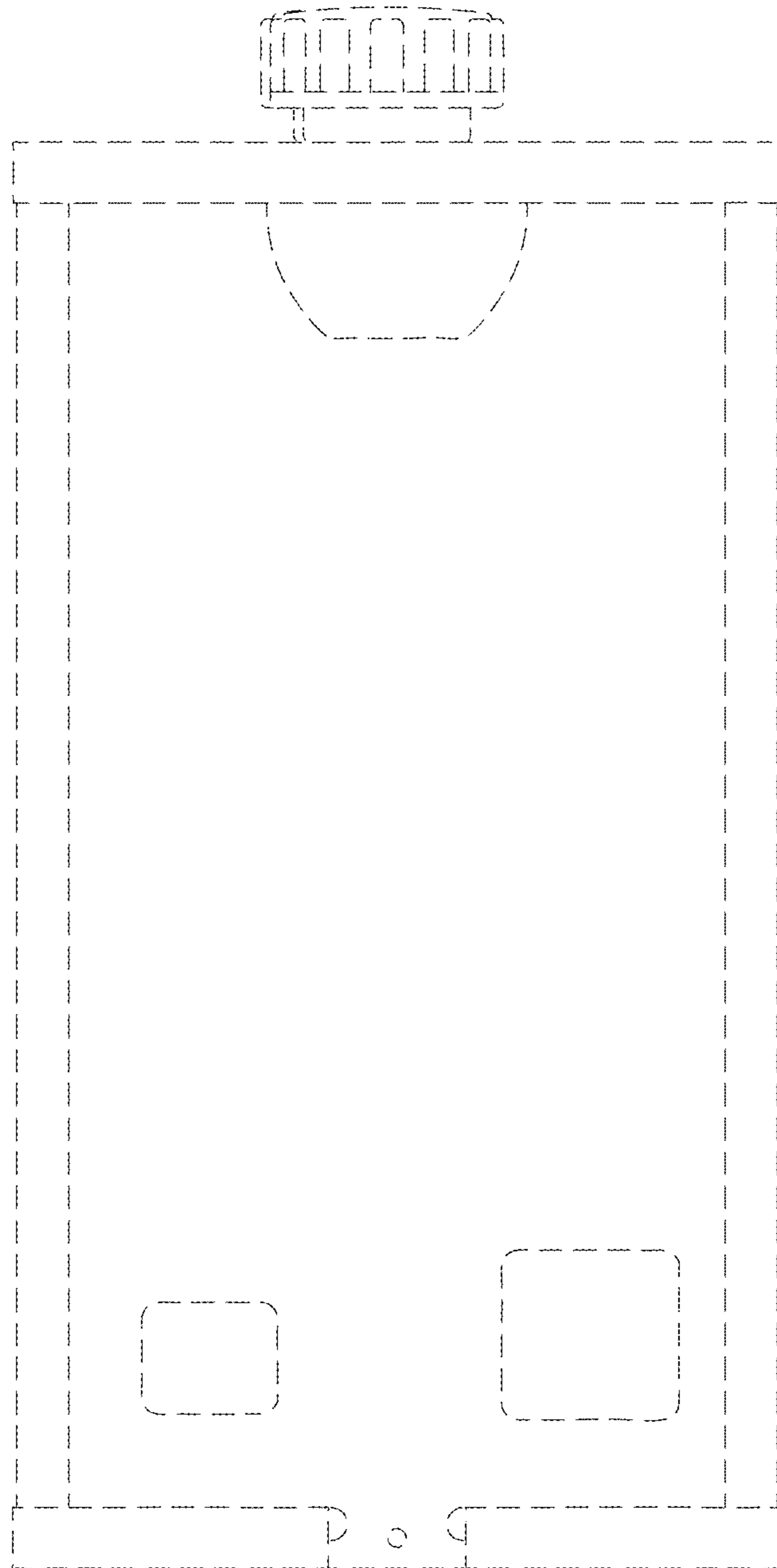


FIG. 4

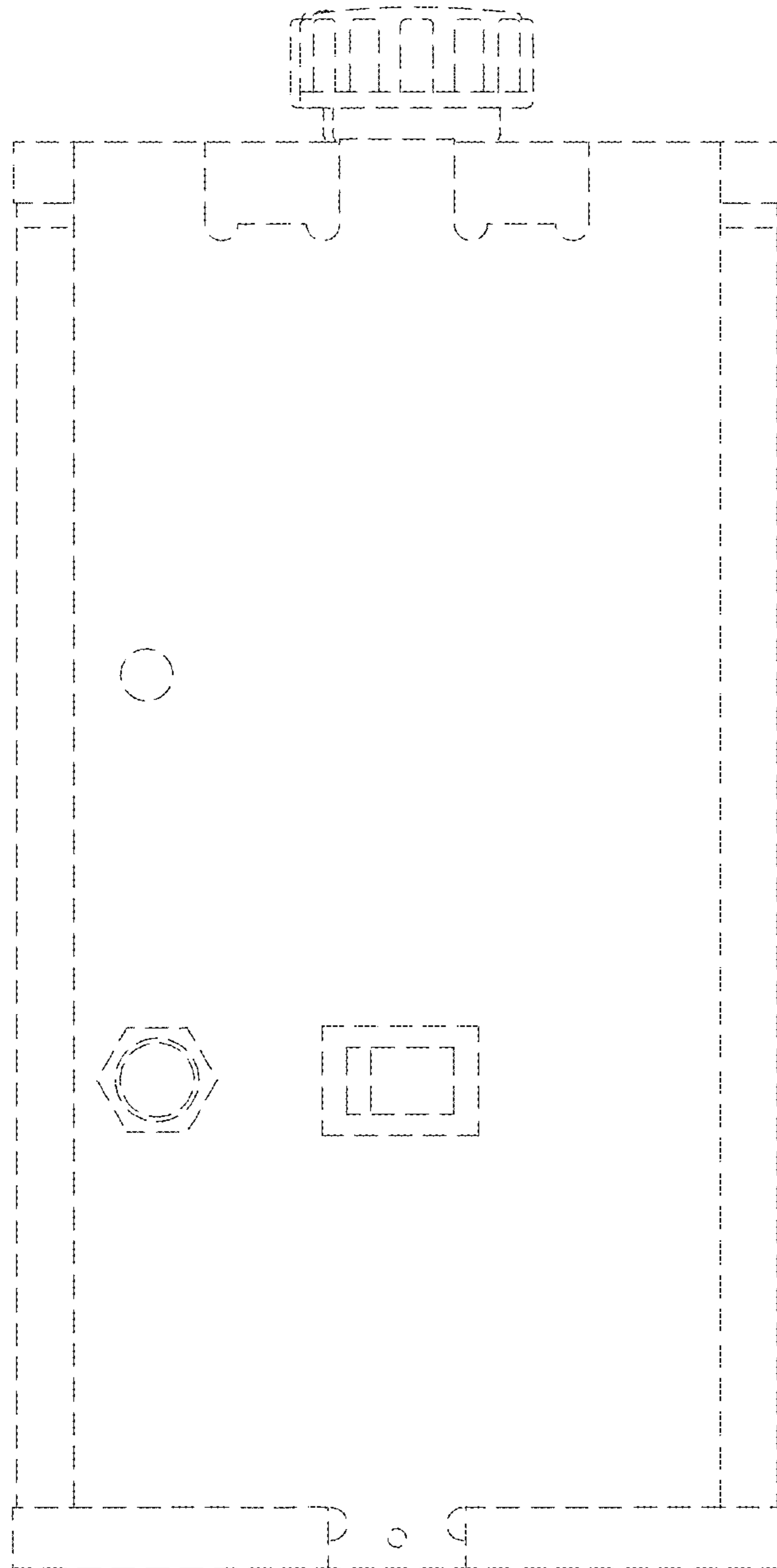


FIG. 5

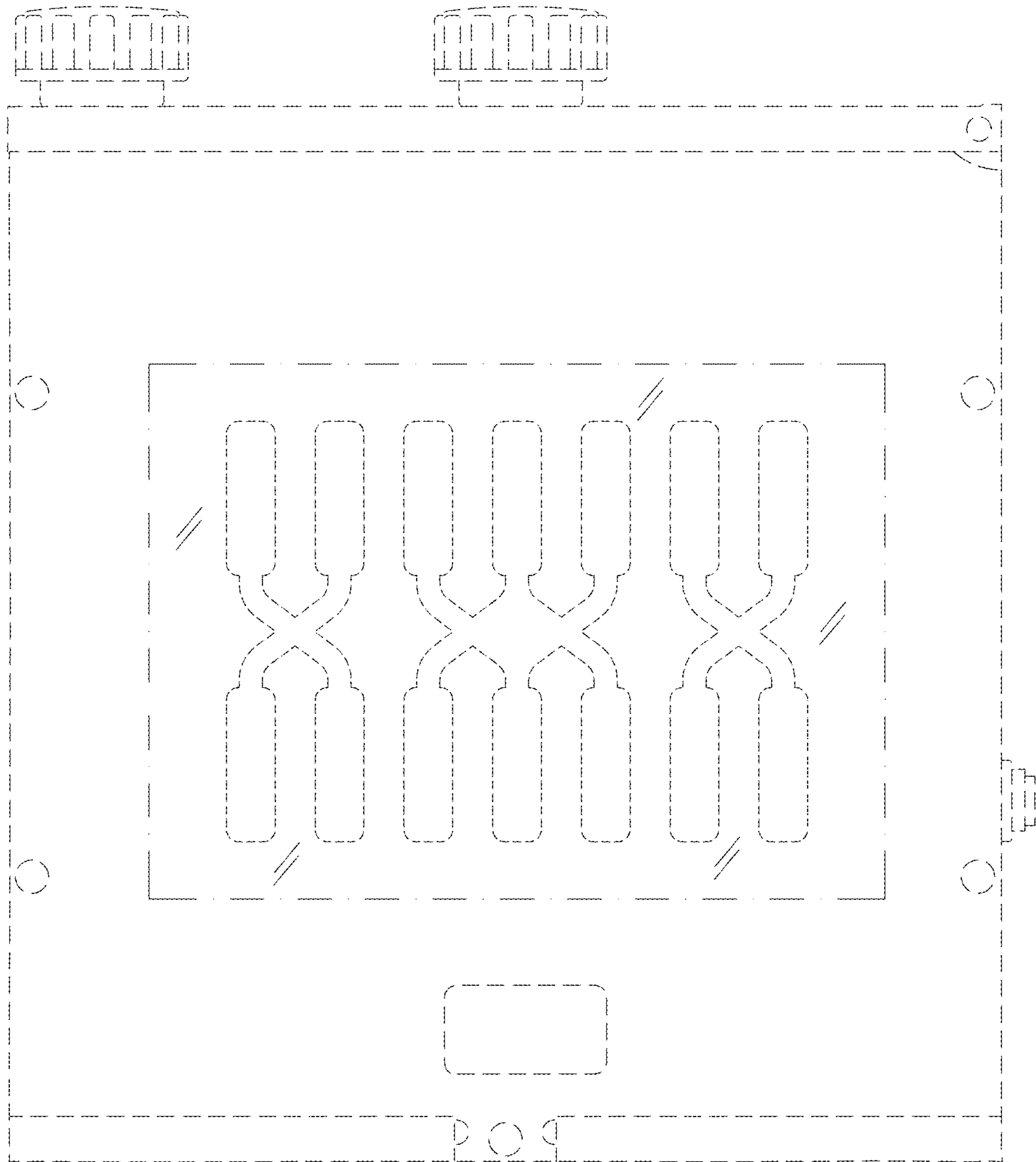


FIG. 6

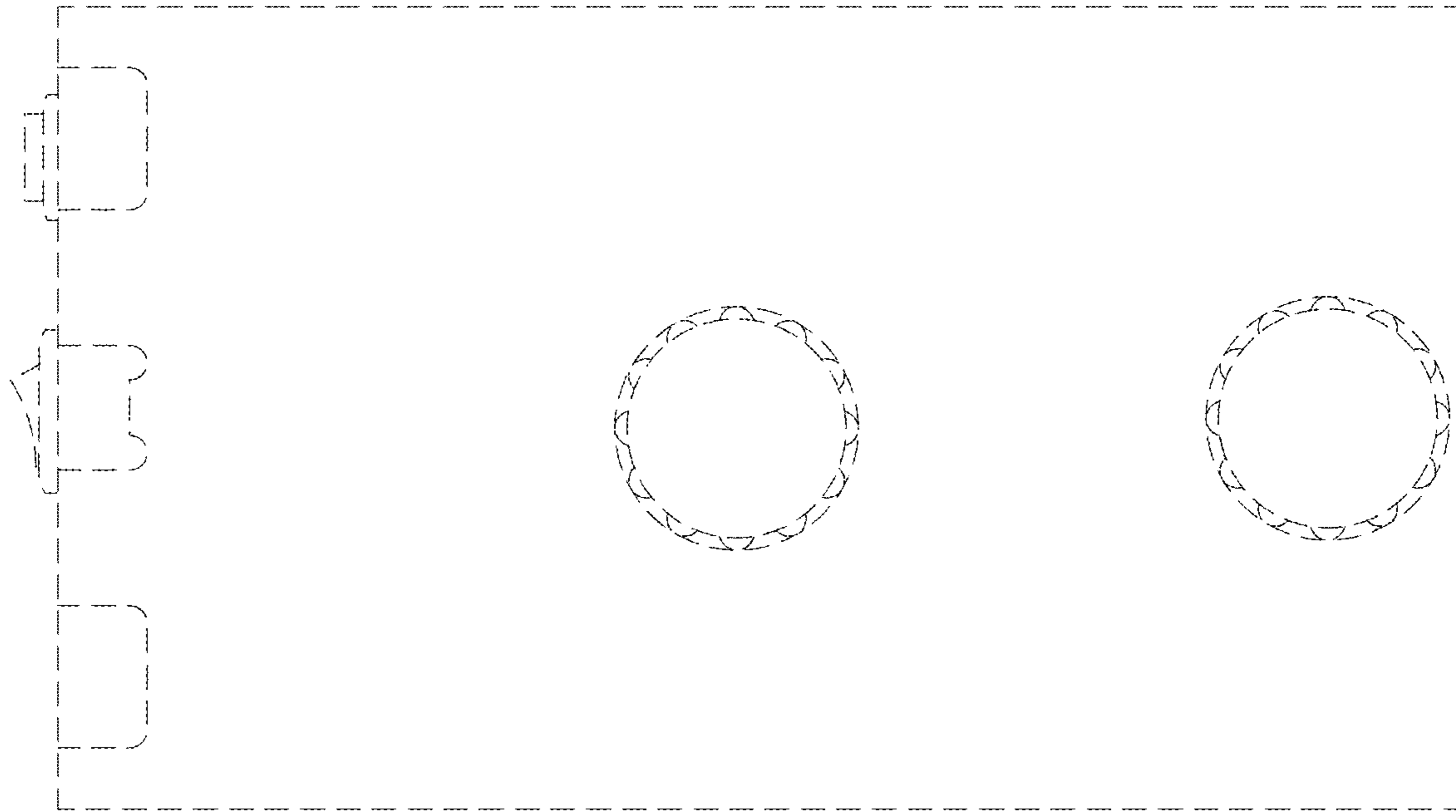


FIG. 7

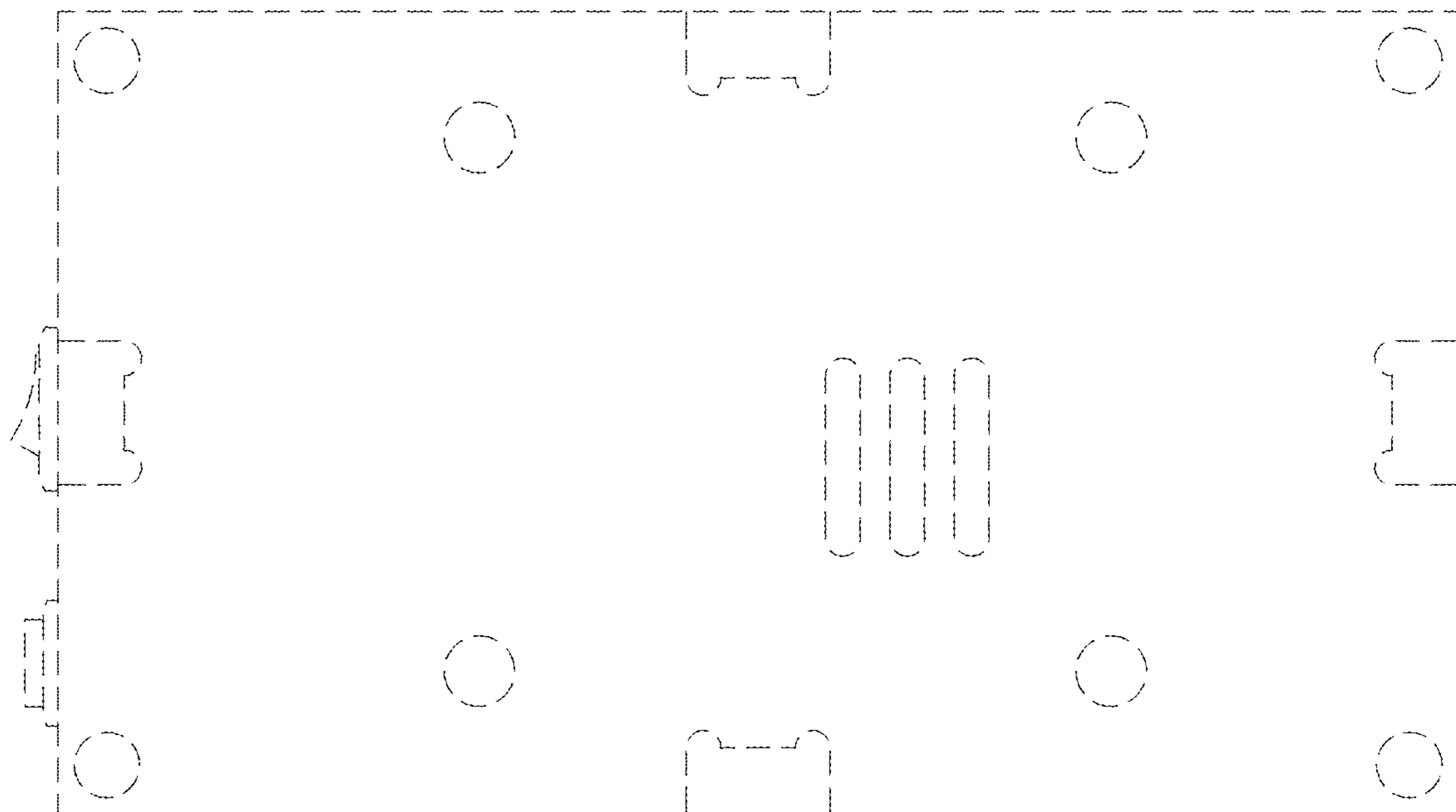


FIG. 8