



US00D982776S

(12) **United States Design Patent** (10) **Patent No.:** **US D982,776 S**  
**Stöcklin et al.** (45) **Date of Patent:** **\*\* Apr. 4, 2023**

(54) **TEST STRIP FOR MEDICAL OR LABORATORY PURPOSES**

(71) Applicant: **Swiss Tropical and Public Health Institute (Swiss TPH)**, Basel (CH)  
 (72) Inventors: **Michèle Stöcklin**, Ettingen (CH); **Raimund Erdmann**, Brugg (CH); **Stefan Stübinger**, Binningen (CH); **Valentin Thomas Mcshea**, Wettswil am Albis (CH); **Samantha Paoletti**, Chur (CH); **Fabio Cirillo**, Ormalingen (CH); **Daniel Richards**, Schöflisdorf (CH); **Frank Dieterle**, Binningen (CH); **Daniel H. Paris**, Basel (CH)

(73) Assignee: **Swiss Tropical and Public Health Institute (Swiss TPH)**, Basel (CH)

(\*\*) Term: **15 Years**

(21) Appl. No.: **35/513,887**

(22) Filed: **Nov. 10, 2021**

(80) **Hague Agreement Data**

Int. Filing Date: **Nov. 10, 2021**  
 Int. Reg. No.: **DM/219484**  
 Int. Reg. Date: **Nov. 10, 2021**  
 Int. Reg. Pub. Date: **Mar. 25, 2022**

(30) **Foreign Application Priority Data**

May 10, 2021 (EM) ..... 008533996-0001

(51) **LOC (14) Cl.** ..... **24-02**

(52) **U.S. Cl.**  
 USPC ..... **D24/223**

(58) **Field of Classification Search**  
 USPC ..... D24/107, 169, 186, 216–217, 219, D24/222–226, 227, 231, 232; D10/81  
 CPC ..... B01L 2300/0822; B01L 2300/0825; B01L 3/502707

See application file for complete search history.

(56) **References Cited**

U.S. PATENT DOCUMENTS

D320,269 S *	9/1991	Hammond	.....	D24/225
D512,512 S *	12/2005	Bell	.....	D24/225
D531,321 S *	10/2006	Godfrey	.....	D24/225
D639,976 S *	6/2011	Francis	.....	D24/225
D639,977 S *	6/2011	Francis	.....	D24/225
D640,389 S *	6/2011	Francis	.....	D24/225
D660,977 S *	5/2012	Wagner	.....	D24/223
D674,499 S *	1/2013	Palm	.....	D24/200
D765,264 S *	8/2016	Zin	.....	D24/223
D894,422 S *	8/2020	Johnson	.....	D24/224
D938,607 S *	12/2021	Lambie	.....	D24/216

FOREIGN PATENT DOCUMENTS

WO D202138-001 \* 8/2019

\* cited by examiner

*Primary Examiner* — Omeed Agilee

(74) *Attorney, Agent, or Firm* — Collard & Roe, P.C.

(57) **CLAIM**

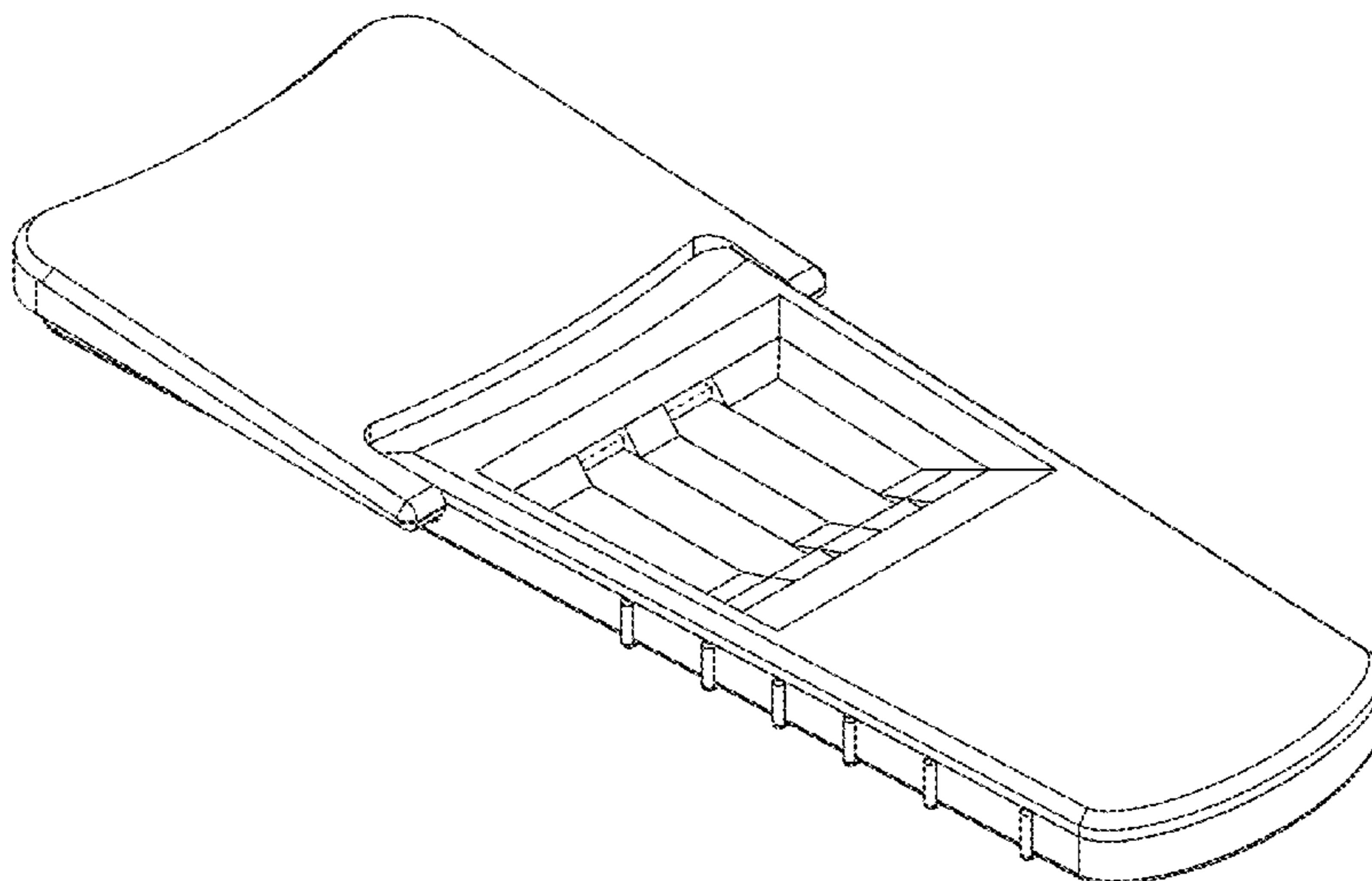
The ornamental design for a test strip for medical or laboratory purposes, as shown and described.

**DESCRIPTION**

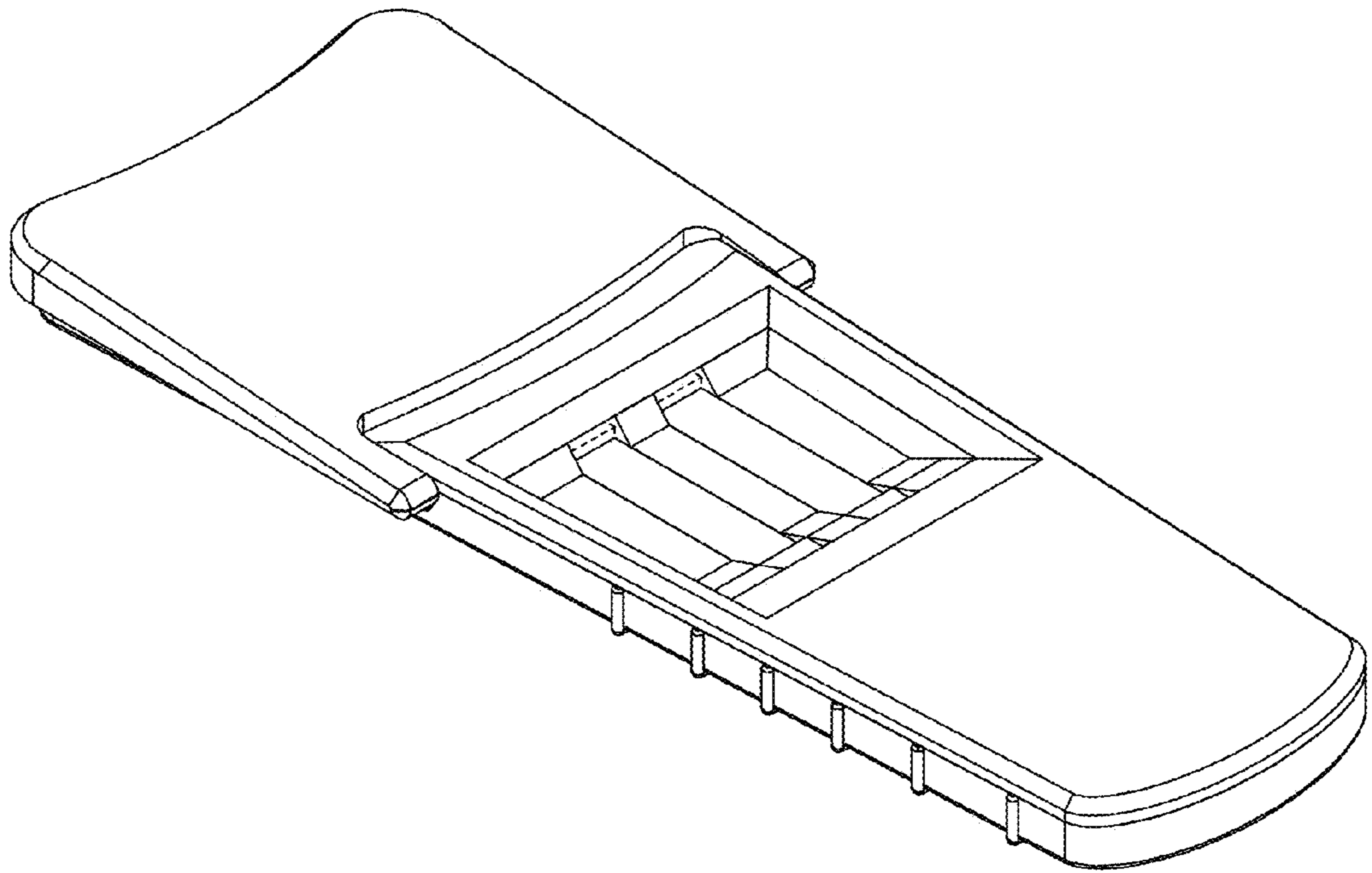
- 1.1 is a front top perspective view of a test strip for medical or laboratory purposes in a closed configuration;
- 1.2 is a top view thereof;
- 1.3 is a bottom view thereof;
- 1.4 is a front view thereof;
- 1.5 is a right side view thereof;
- 1.6 is a front top perspective view thereof in an open configuration;
- 1.7 is a front view thereof.

The broken lines depict portions of the test strip for medical or laboratory purposes that form no part of the claimed design.

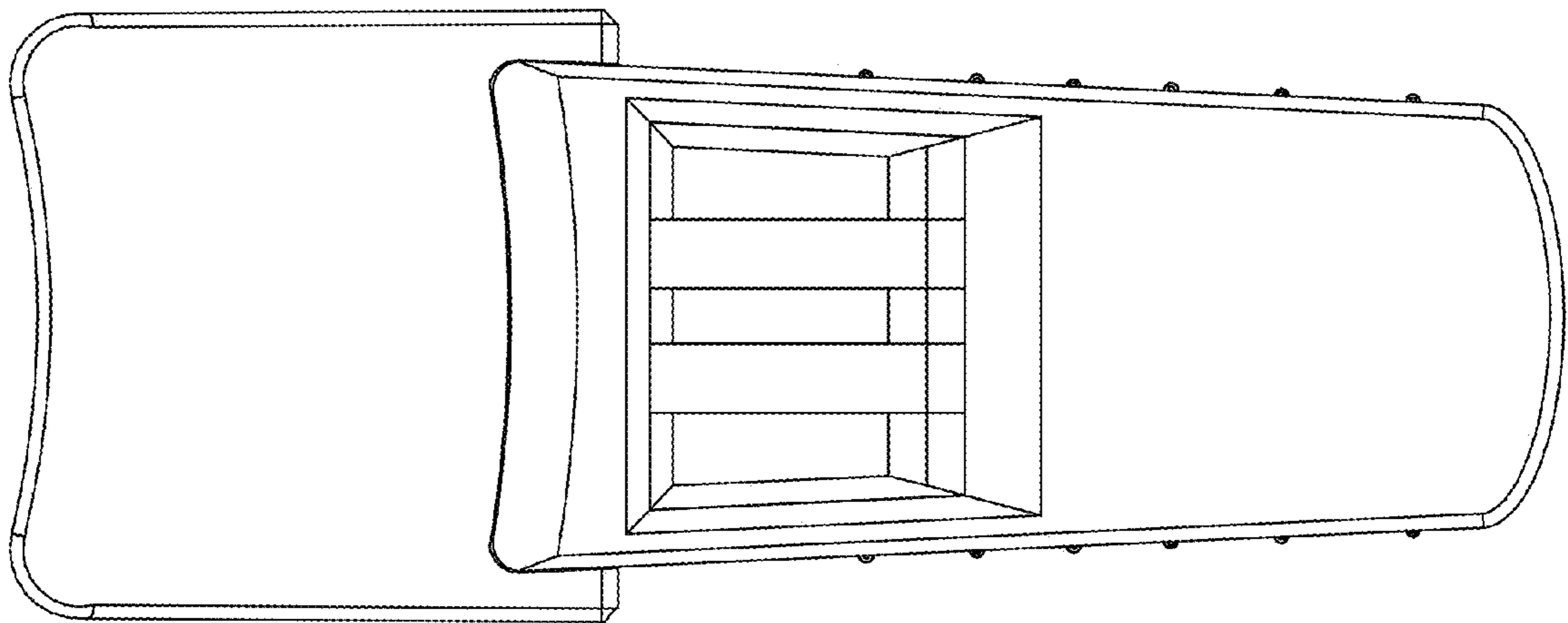
**1 Claim, 7 Drawing Sheets**



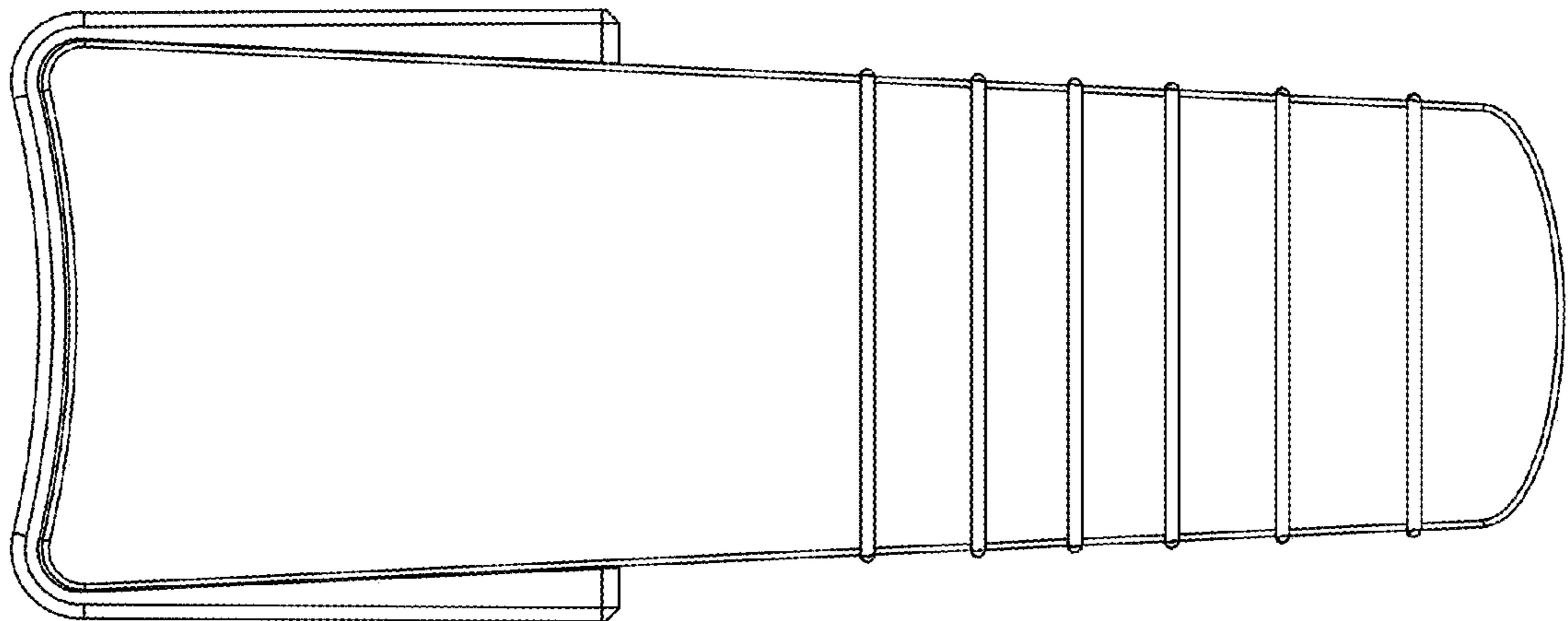
1.1



1.2



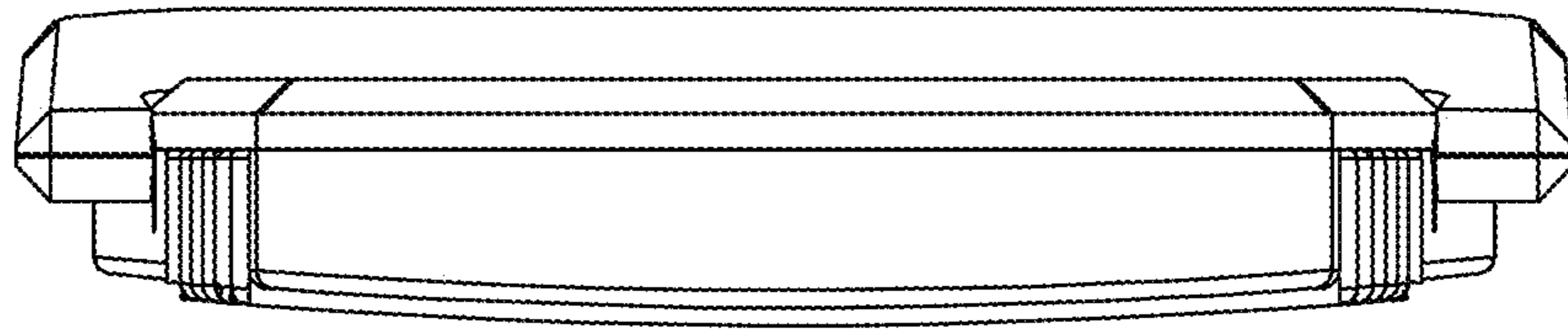
1.3



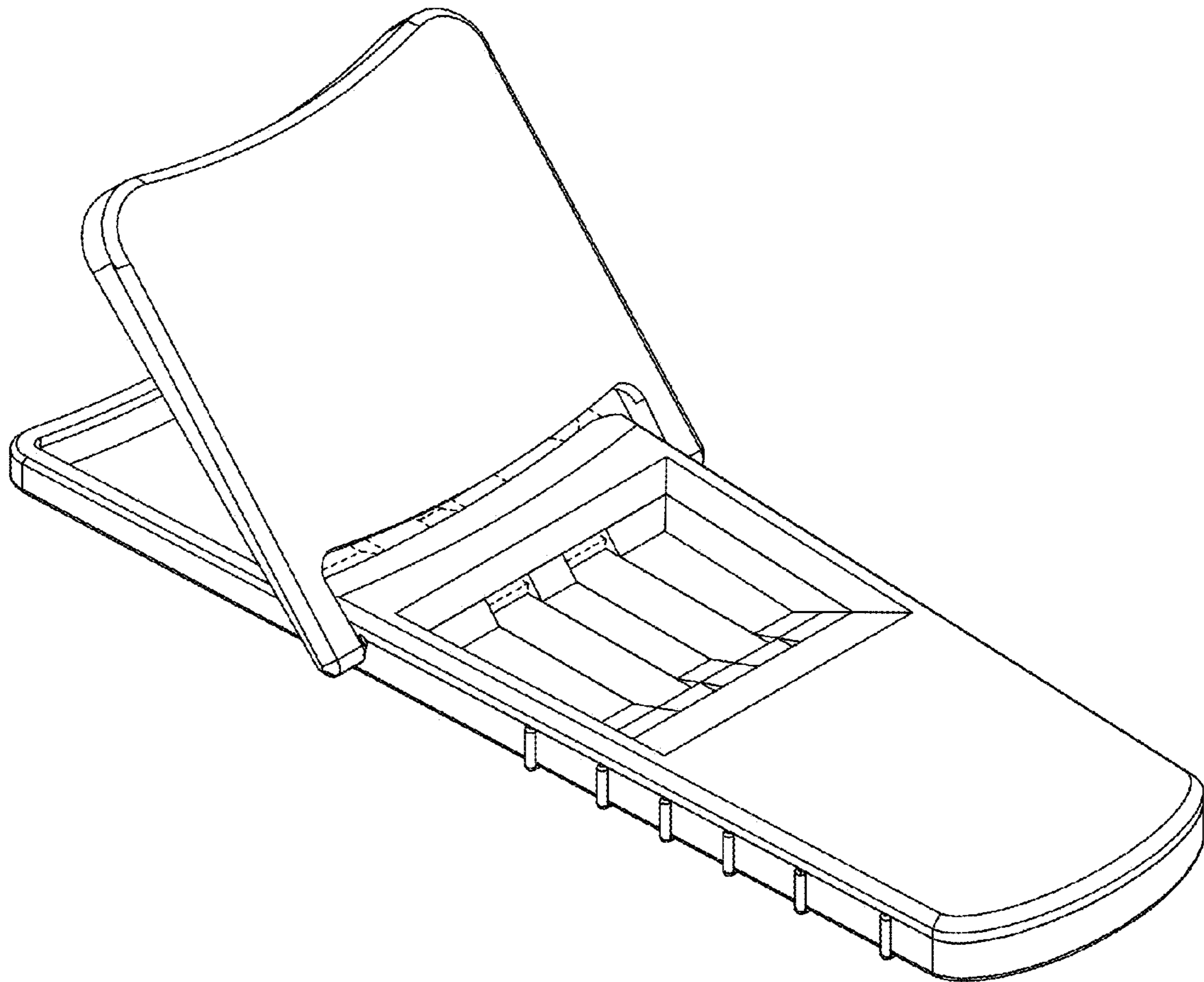
1.4



1.5



1.6



1.7

