



US00D982775S

(12) **United States Design Patent**
Tang et al.

(10) **Patent No.:** **US D982,775 S**
(45) **Date of Patent:** **** Apr. 4, 2023**

(54) **MULTI-FUNCTION DISINFECTOR**

(74) *Attorney, Agent, or Firm* — Moyles IP, LLC

(71) Applicant: **eMoMo Technology Co., Ltd.**,
Shenzhen (CN)

(57) **CLAIM**

We claim the ornamental design for a multi-function disinfectant, as shown and described.

(72) Inventors: **Wenji Tang**, Shenzhen (CN); **Jing Song**, Shenzhen (CN); **Dasheng Hu**, Dao (CN); **Xin Shen**, Shenzhen (CN)

DESCRIPTION

(73) Assignee: **eMoMo Technology Co., Ltd.**,
Shenzhen (CN)

(**) Term: **15 Years**

FIG. 1 is a top, front perspective view of a multi-function disinfectant, showing our new design in a closed configuration;

(21) Appl. No.: **29/779,418**

FIG. 2 is a bottom, rear perspective view of the multi-function disinfectant of FIG. 1;

(22) Filed: **Apr. 19, 2021**

FIG. 3 is a top view of the multi-function disinfectant of FIG. 1;

(51) **LOC (14) Cl.** **24-01**

FIG. 4 is a bottom view of the multi-function disinfectant of FIG. 1;

(52) **U.S. Cl.**

USPC **D24/217**

FIG. 5 is a rear view of the multi-function disinfectant of FIG. 1;

(58) **Field of Classification Search**

USPC D24/216, 217, 218, 219, 231, 232, 234, D24/209, 210, 227; D32/1; D3/294

FIG. 6 is a front view of the multi-function disinfectant of FIG. 1;

CPC A61L 2/26; A61L 2/24; A61L 2/07; A61L 2/08; A61L 2/18; A61L 2/25; A61L 2202/122; A61L 2202/11; A61L 2202/14; A61L 2202/23; A61L 2202/24; A61L 2202/25

FIG. 7 is a right side view of the multi-function disinfectant of FIG. 1;

See application file for complete search history.

FIG. 8 is a left side view of the multi-function disinfectant of FIG. 1;

(56) **References Cited**

U.S. PATENT DOCUMENTS

3,966,408 A * 6/1976 Drennen A61L 2/26 312/130
D313,651 S * 1/1991 Michelson D24/217
(Continued)

FIG. 9 is a top, front perspective view of a multi-function disinfectant, showing our new design in an open configuration;

FOREIGN PATENT DOCUMENTS

GB 6124614 * 3/2021

FIG. 10 is a bottom, rear perspective view of the multi-function disinfectant of FIG. 9;

Primary Examiner — Anhdao Doan

FIG. 11 is a top view of the multi-function disinfectant of FIG. 9;

FIG. 12 is a bottom view of the multi-function disinfectant of FIG. 9;

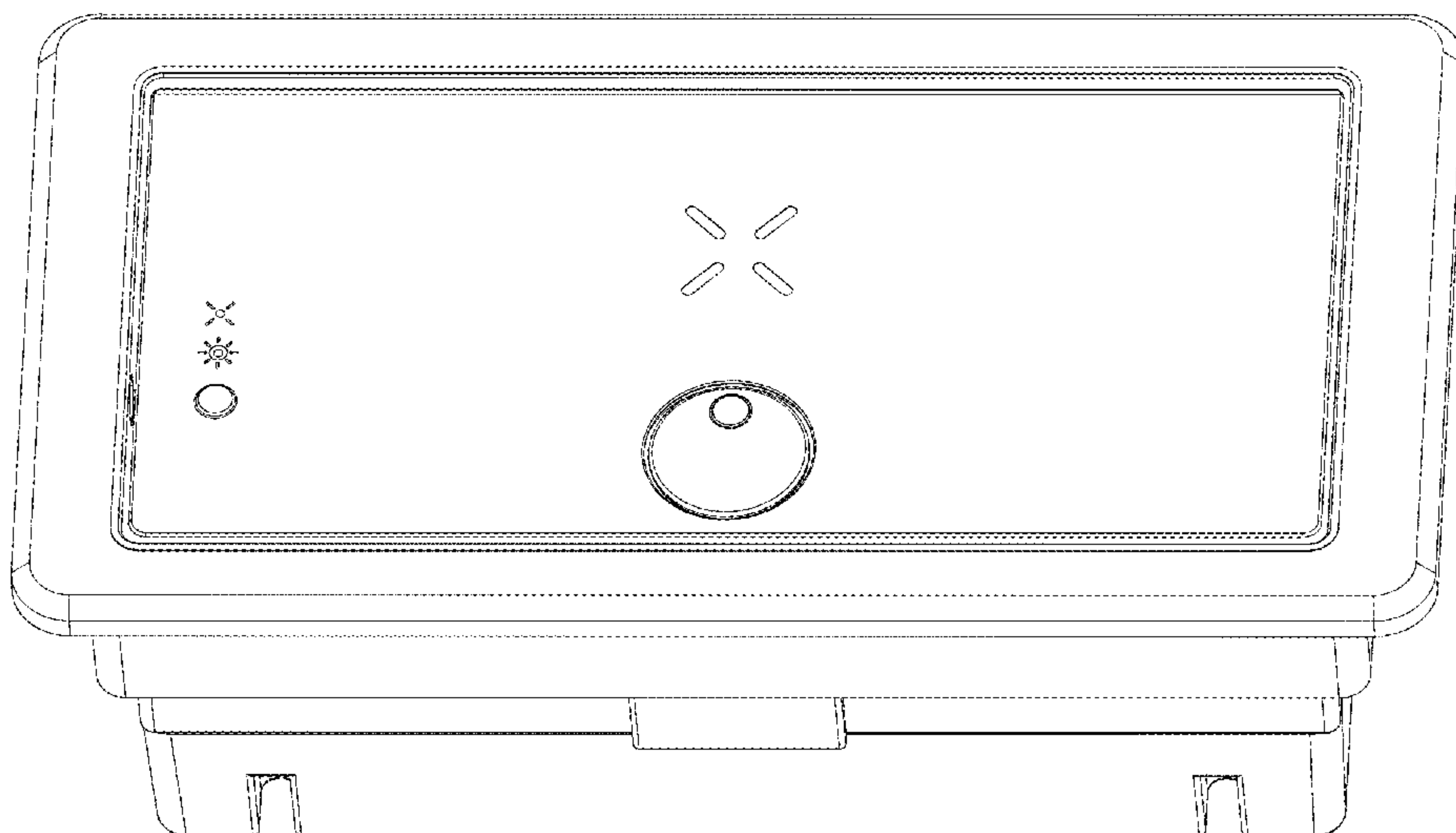
FIG. 13 is a rear view of the multi-function disinfectant of FIG. 9;

FIG. 14 is a front view of the multi-function disinfectant of FIG. 9;

FIG. 15 is a right side view of the multi-function disinfectant of FIG. 9; and,

FIG. 16 is a left side view of the multi-function disinfectant of FIG. 9.

1 Claim, 16 Drawing Sheets



(56)

References Cited

U.S. PATENT DOCUMENTS

5,372,787 A * 12/1994 Ritter A61B 50/30
206/508
D415,284 S * 10/1999 Grieco D24/217
D557,814 S * 12/2007 Glenn D24/217
D587,110 S * 2/2009 Kronshage D24/227
D748,280 S * 1/2016 Lui D24/227
D854,705 S * 7/2019 Ouyang D24/217
D950,101 S * 4/2022 Meyer D24/217
D953,562 S * 5/2022 Ali D24/224
2016/0270875 A1* 9/2016 Park A61B 90/70
2017/0172397 A1* 6/2017 Zardini A61B 1/125
2021/0328823 A1* 10/2021 Tang H04L 12/282

* cited by examiner

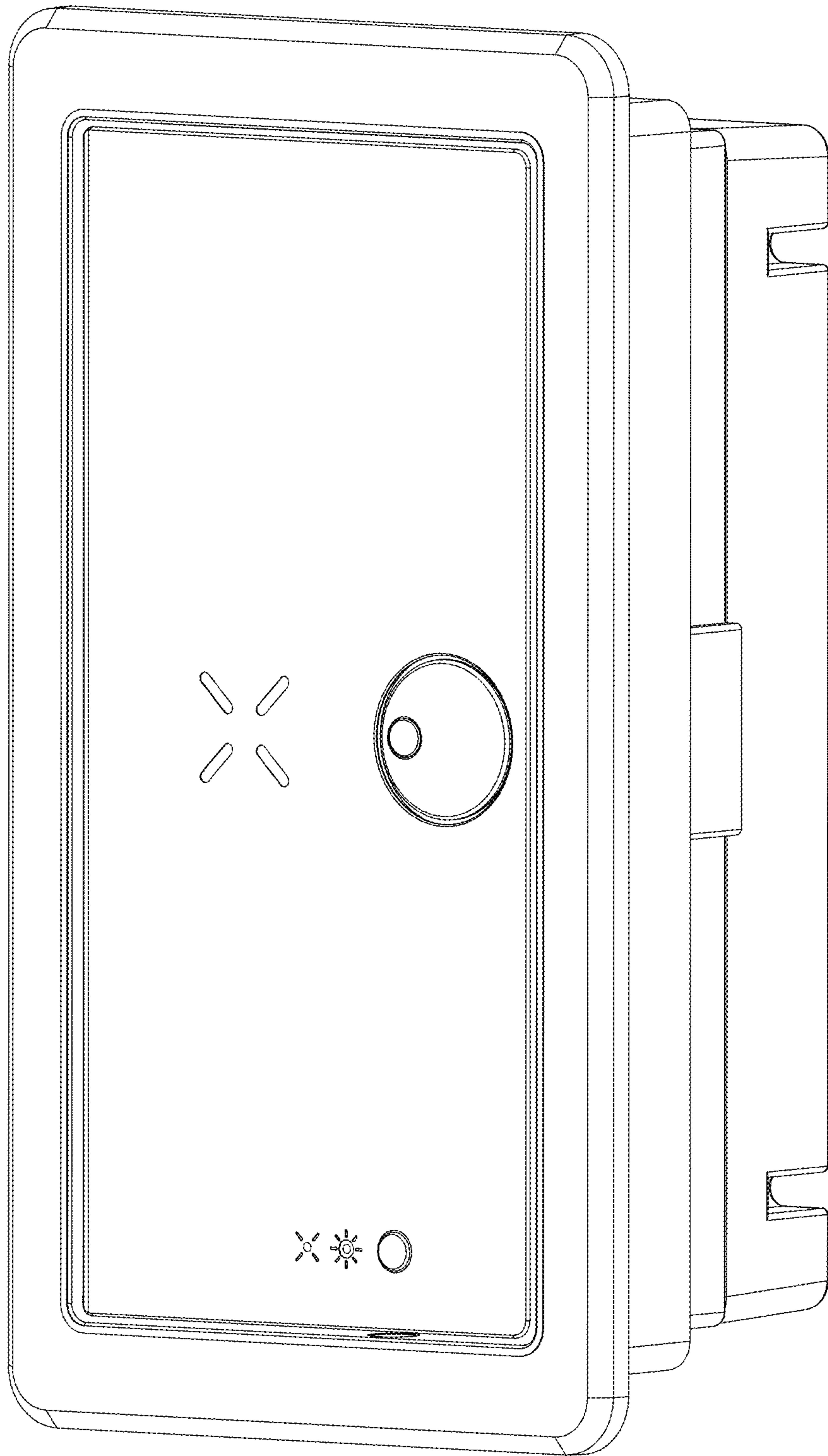


FIG. 1

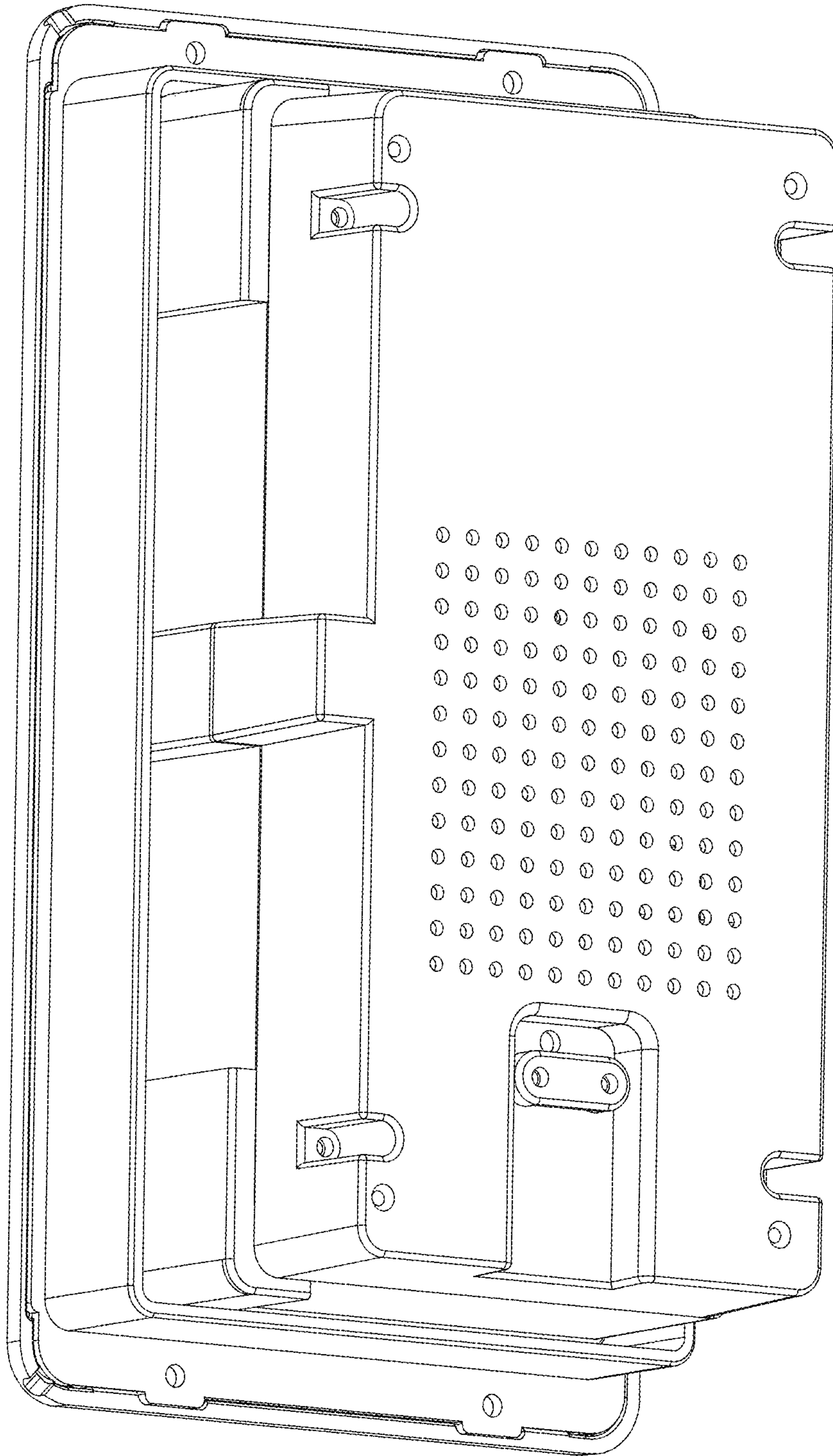


FIG. 2

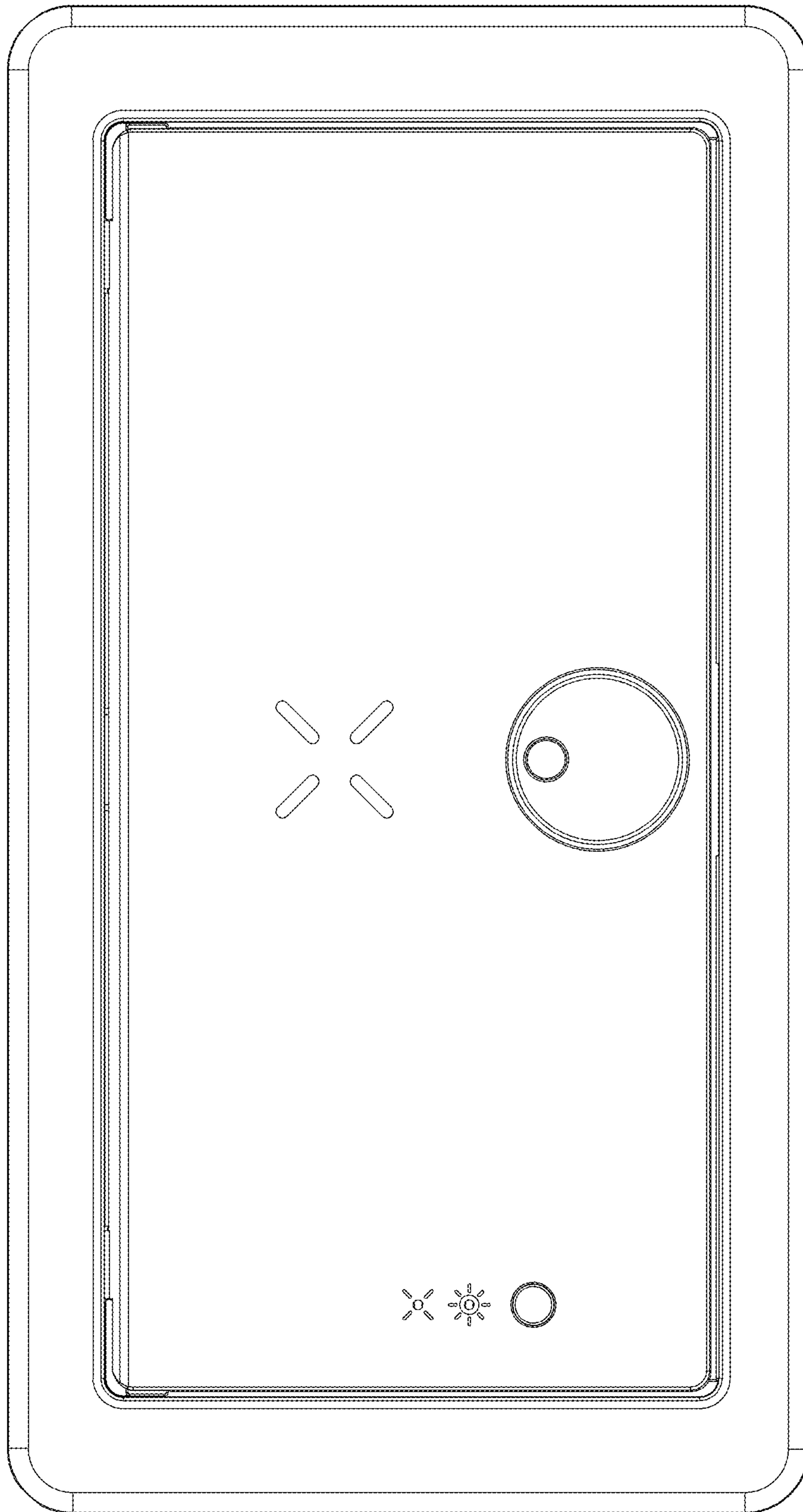


FIG. 3

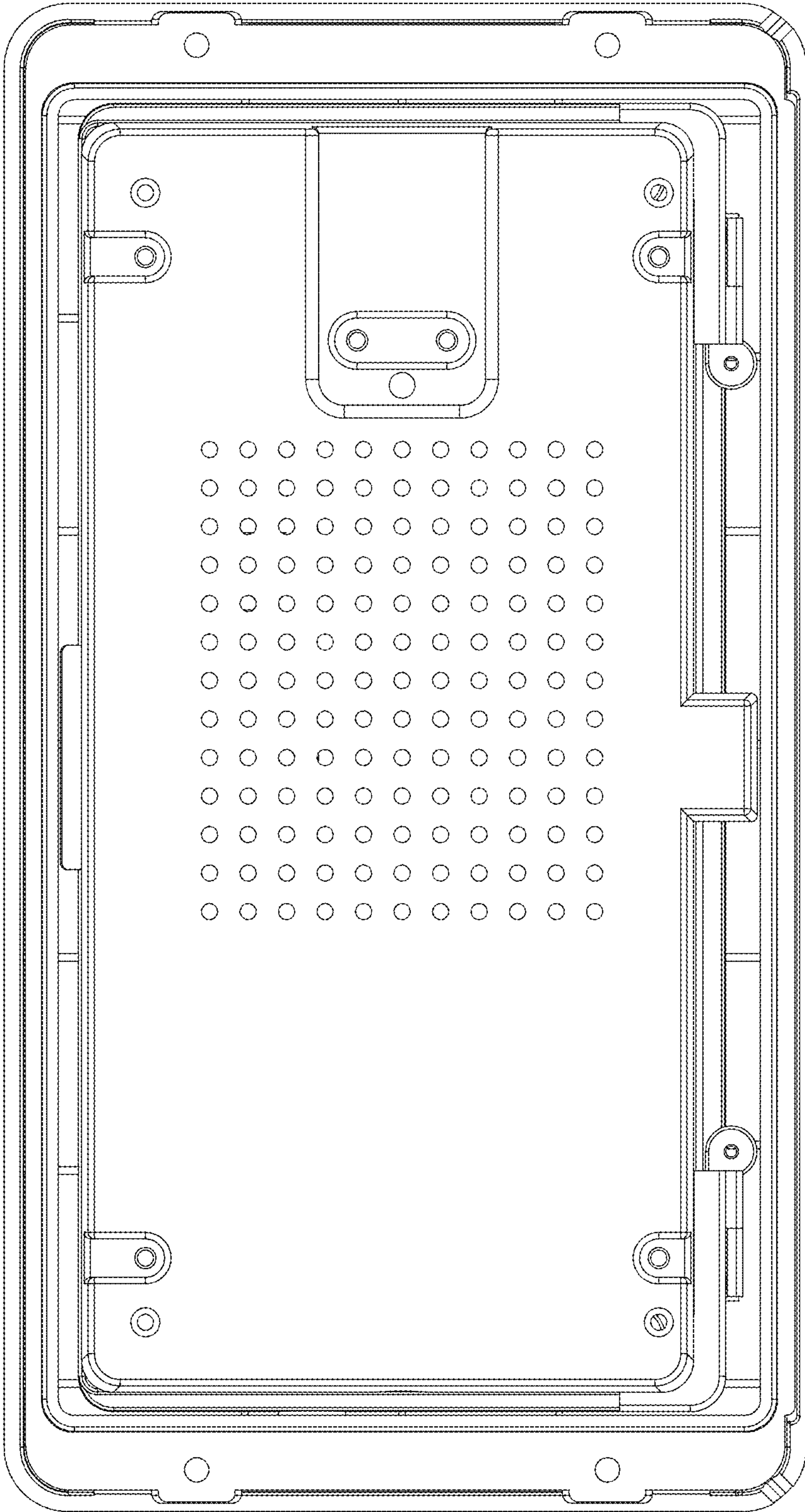


FIG. 4

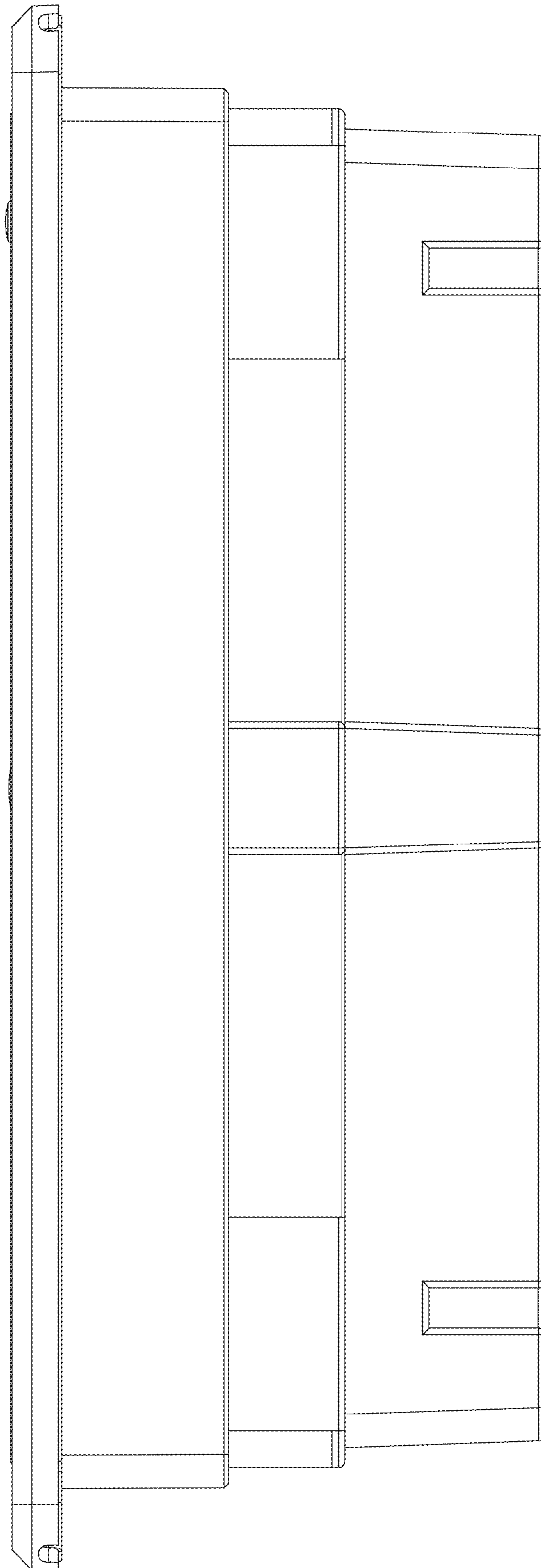


FIG. 5

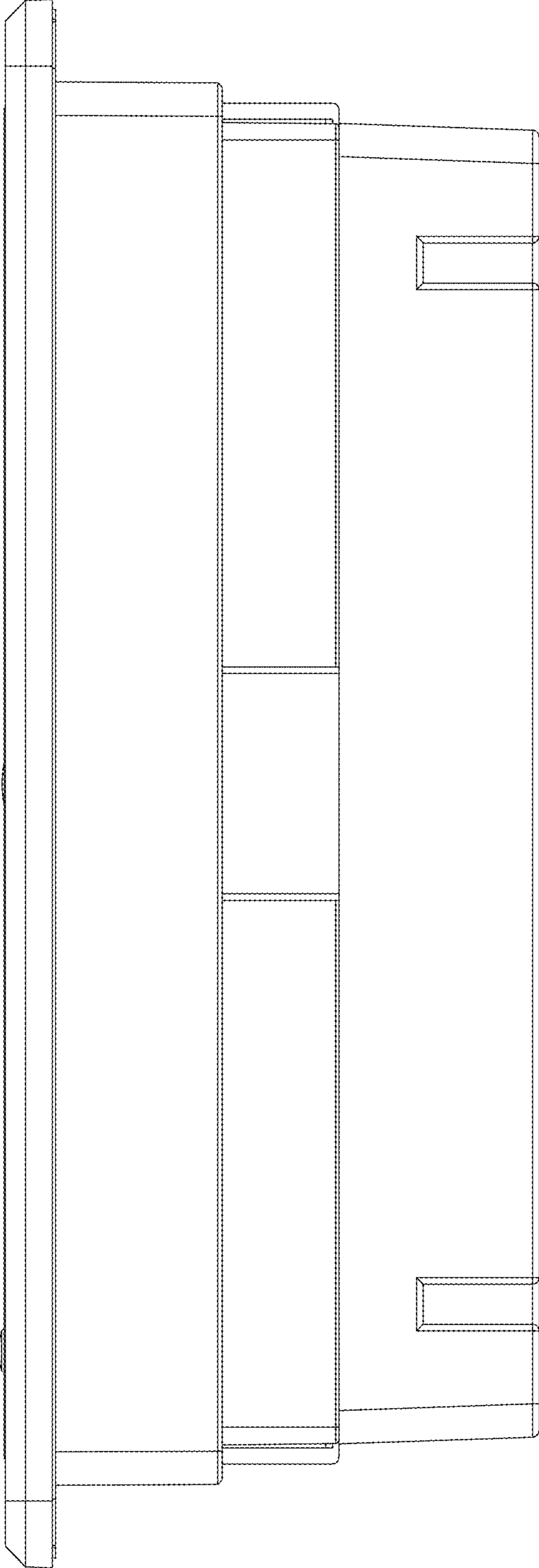


FIG. 6

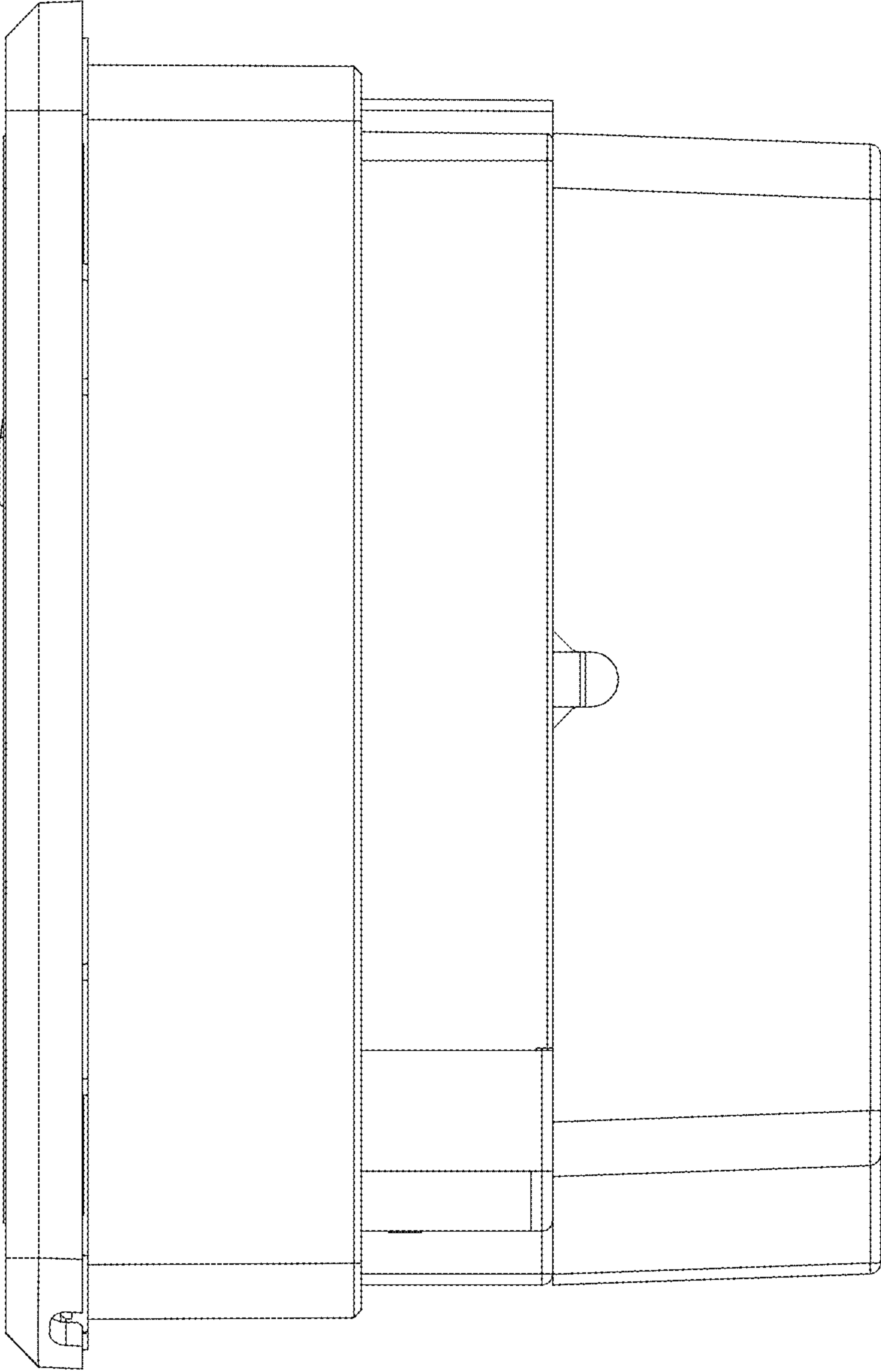


FIG. 7

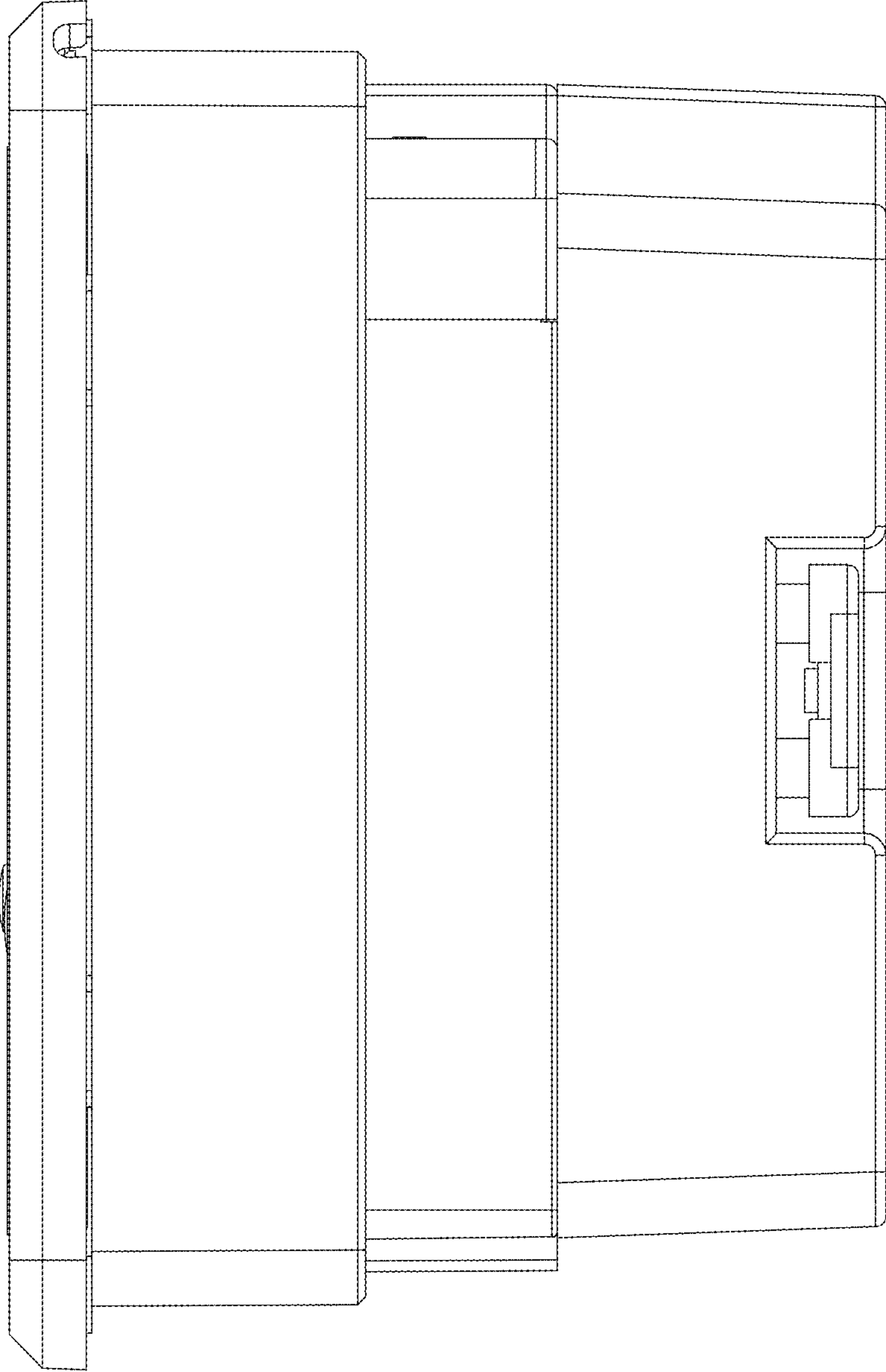


FIG. 8

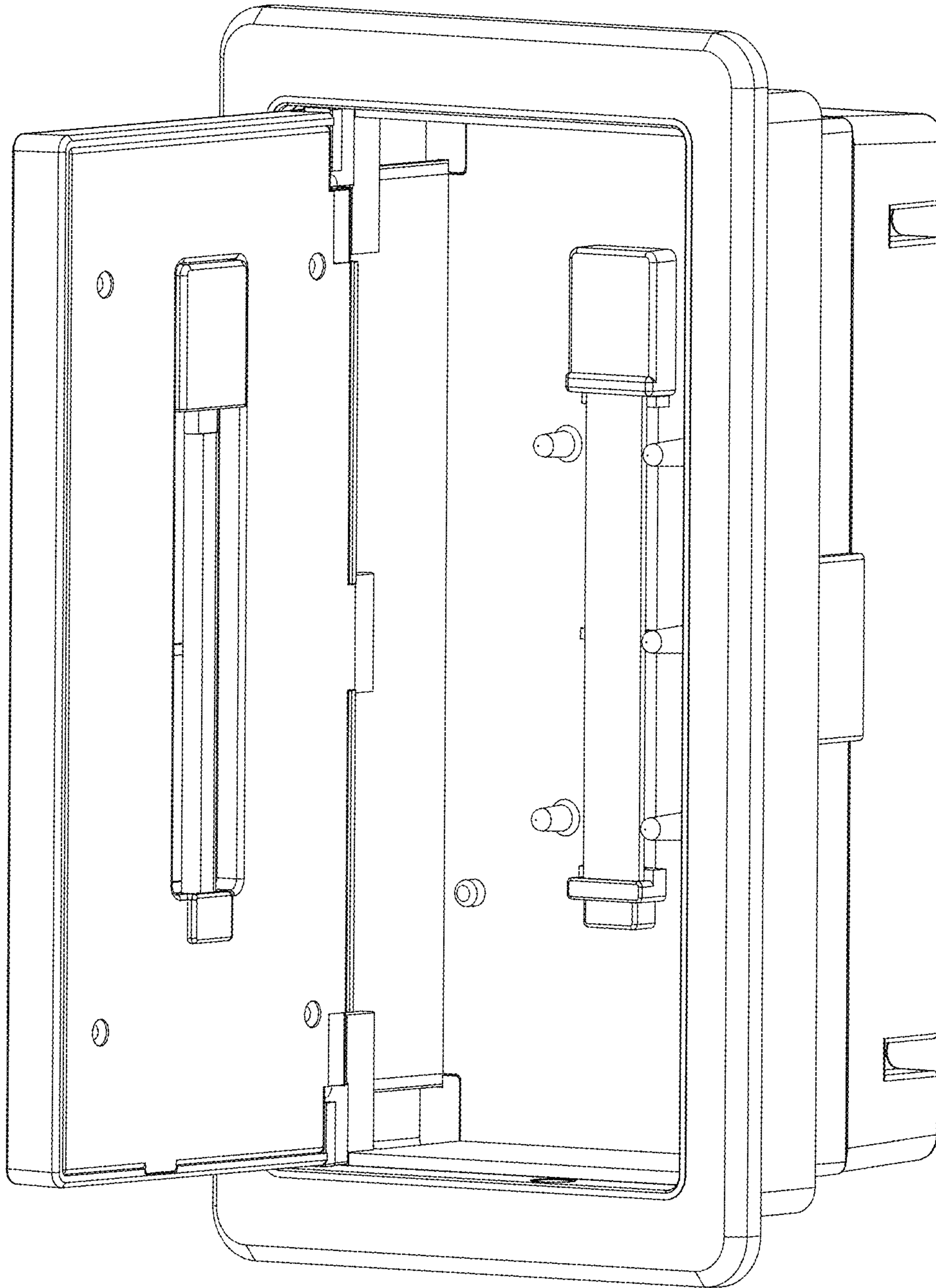


FIG. 9

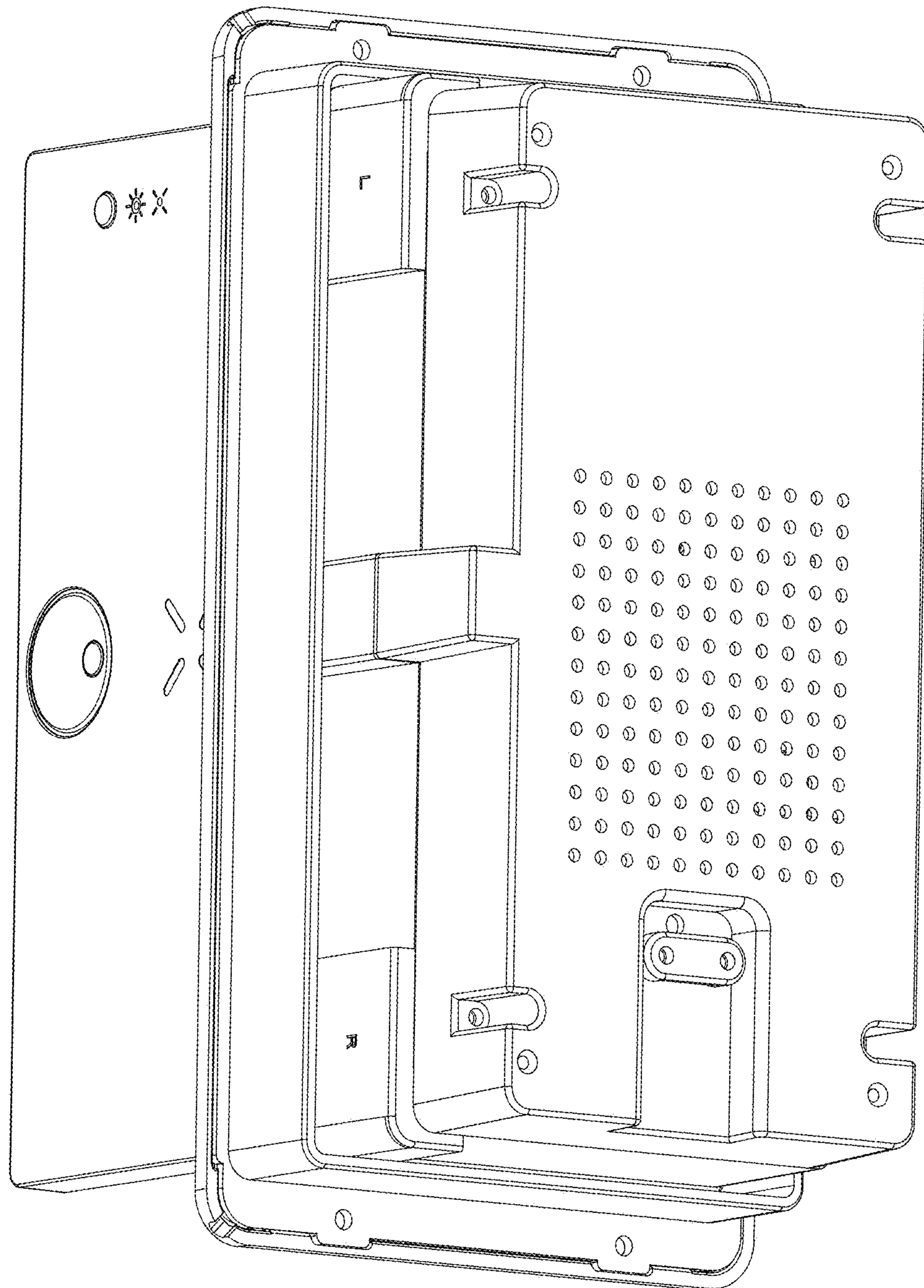


FIG. 10

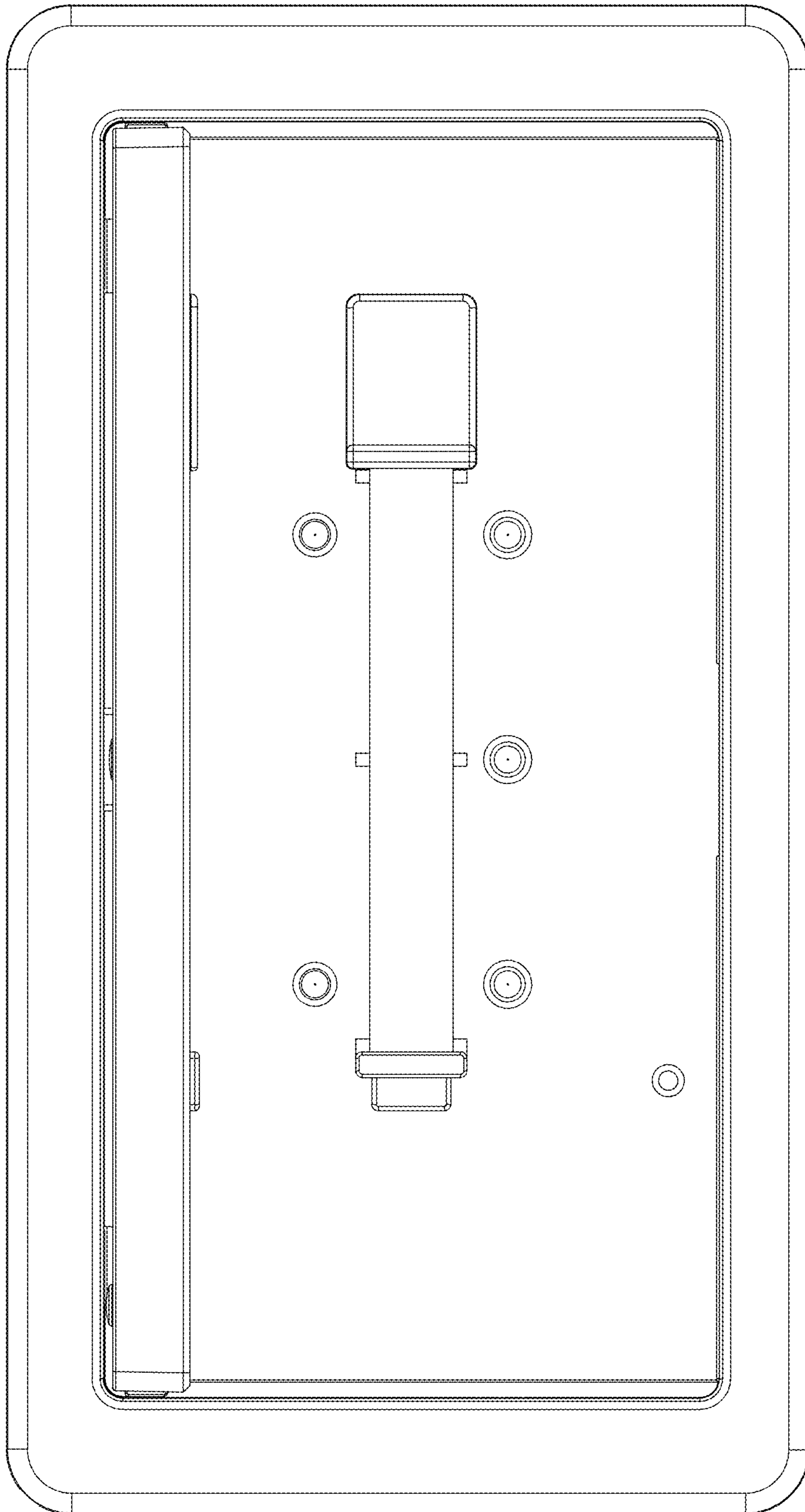


FIG. 11

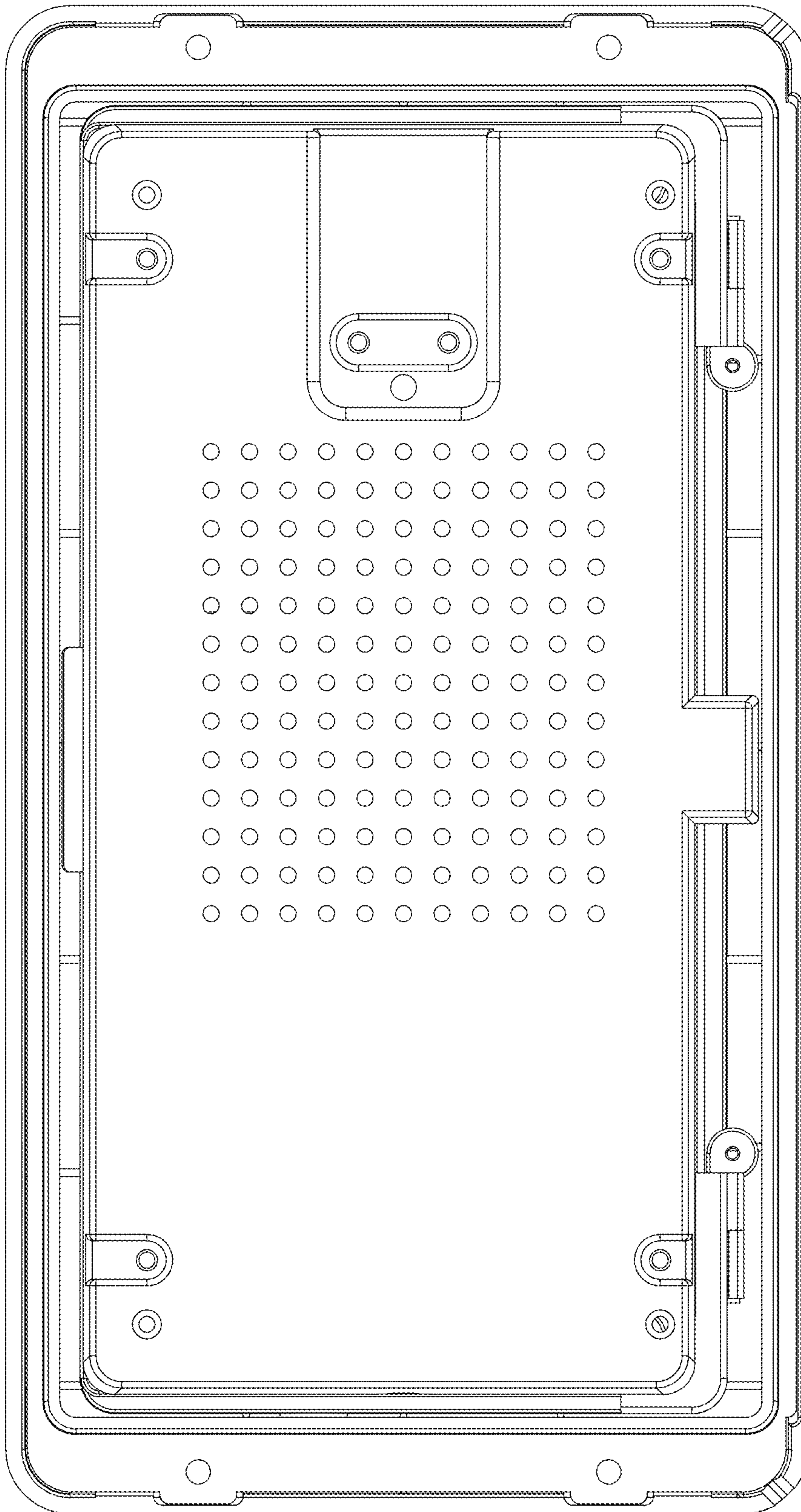


FIG. 12

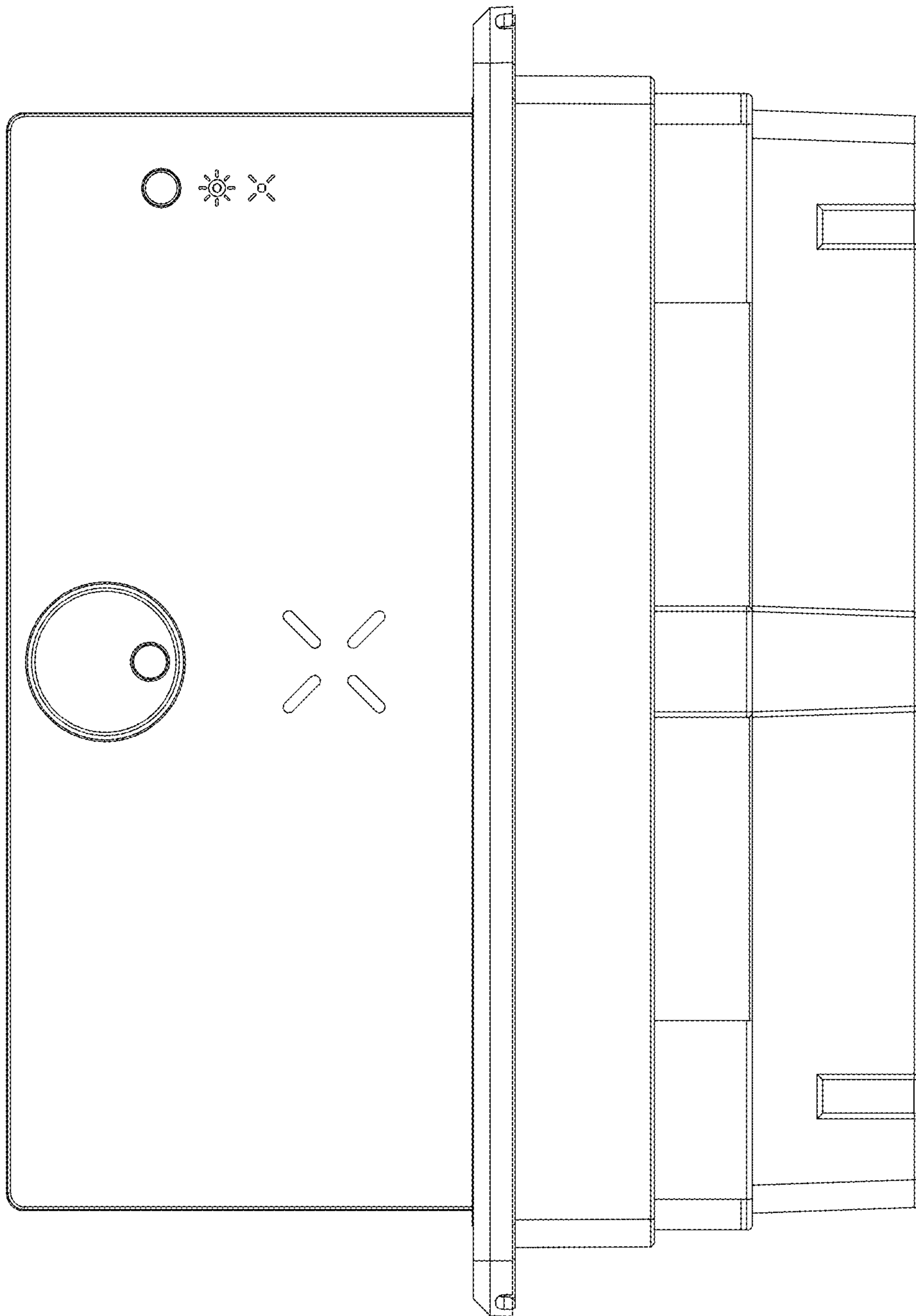


FIG. 13

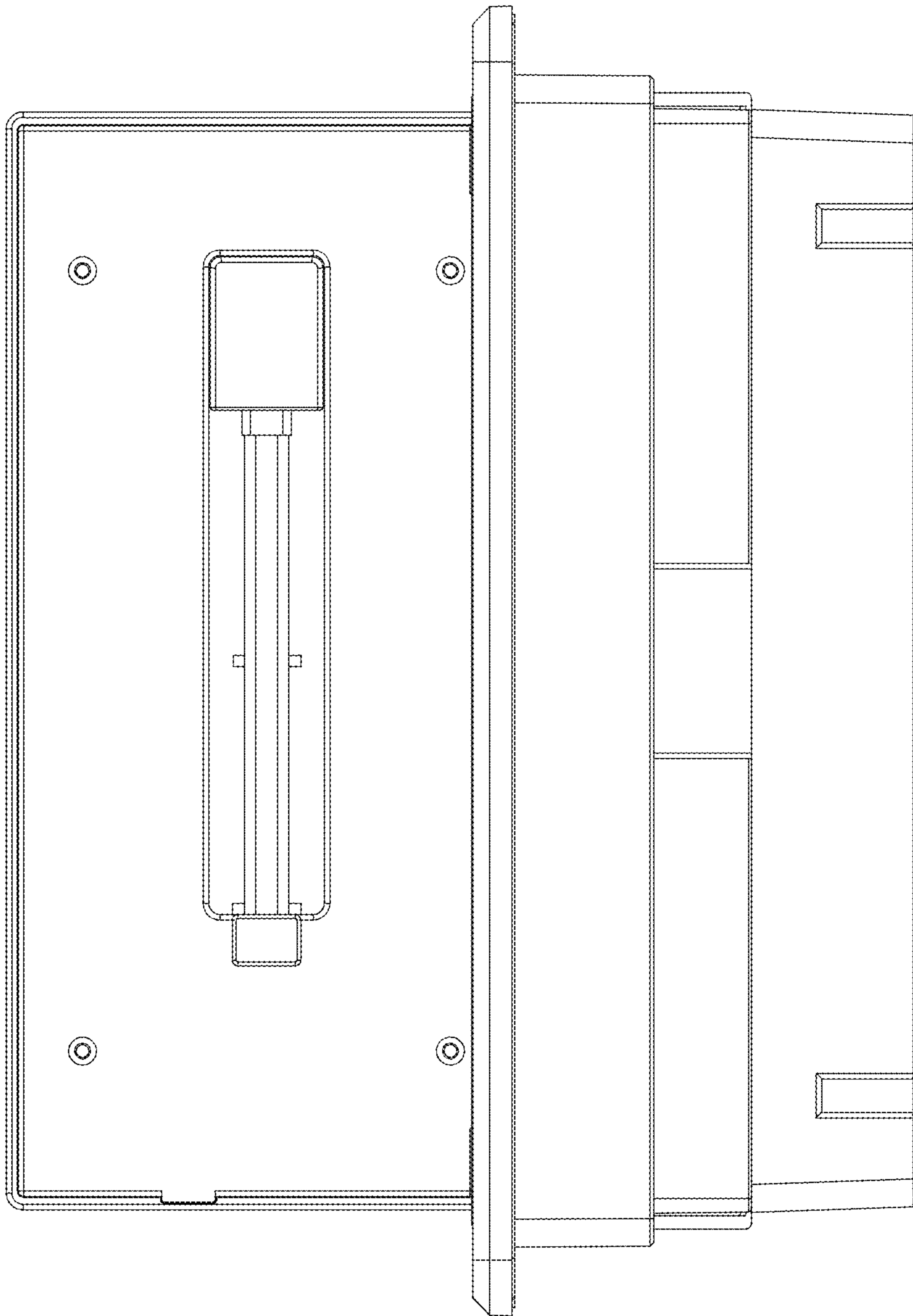


FIG. 14

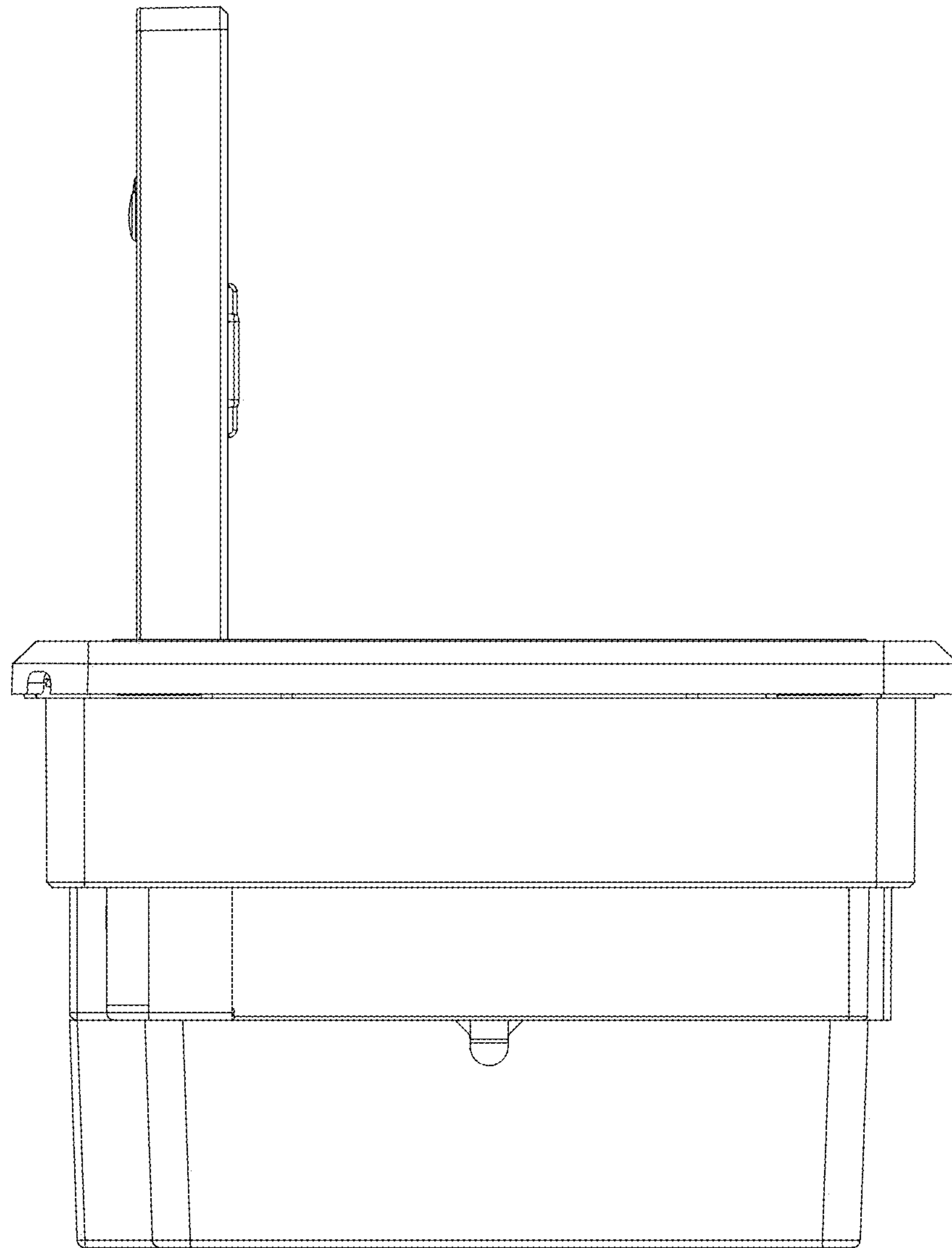


FIG. 15

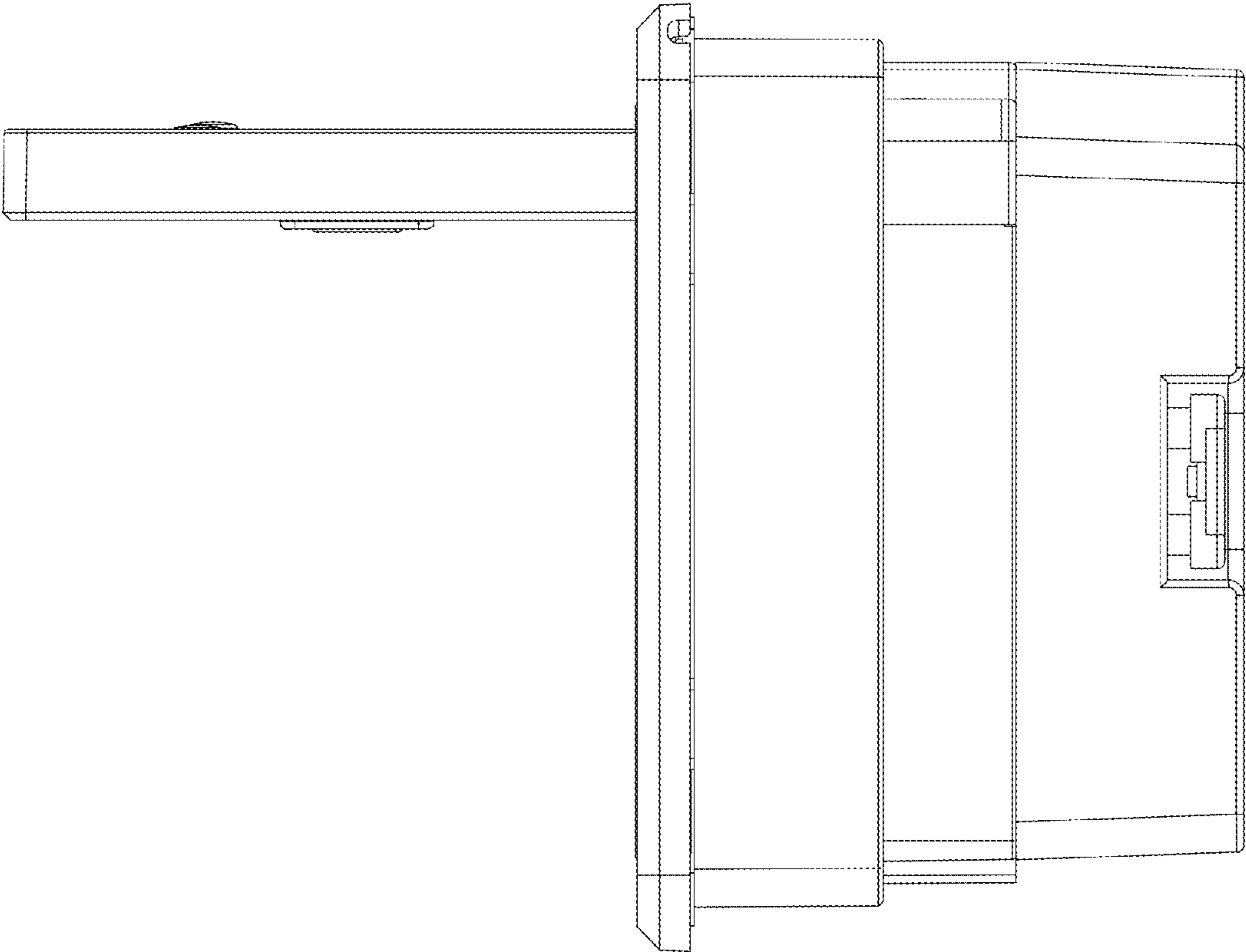


FIG. 16