



US00D982772S

(12) **United States Design Patent** (10) **Patent No.:** **US D982,772 S**  
**Lai** (45) **Date of Patent:** **\*\* Apr. 4, 2023**

(54) **VIBRATOR**

(71) Applicant: **Shenzhen Aikesoler Technology Co., Ltd.**, Shenzhen (CN)

(72) Inventor: **Gongkai Lai**, Shenzhen (CN)

(73) Assignee: **Shenzhen Aikesoler Technology Co., Ltd.**, Shenzhen (CN)

(\*\*) Term: **15 Years**

(21) Appl. No.: **29/856,747**

(22) Filed: **Oct. 17, 2022**

(51) **LOC (14) Cl.** ..... **24-01**

(52) **U.S. Cl.**  
USPC ..... **D24/215**

(58) **Field of Classification Search**  
USPC ..... D24/141, 200, 211, 212, 213, 214, 215  
CPC ..... A61H 21/00; A61H 19/50; A61H 19/30;  
A61H 19/40; A61H 19/00; A61H  
2205/087; A61H 2205/00

See application file for complete search history.

(56) **References Cited**

**U.S. PATENT DOCUMENTS**

D652,943 S *	1/2012	Chong	.....	D24/215
D653,349 S *	1/2012	Chong	.....	D24/215
D666,303 S *	8/2012	Ding	.....	D24/215
D798,465 S *	9/2017	Lin	.....	D24/215
D893,739 S *	8/2020	Li	.....	D24/215
D927,011 S *	8/2021	Jouffret	.....	D24/215
D936,853 S *	11/2021	Dumler	.....	D24/215
D938,606 S *	12/2021	Dumler	.....	D24/215
D949,388 S *	4/2022	Sedic	.....	D24/215

D952,177 S *	5/2022	Jiang	.....	D24/215
D965,168 S	9/2022	Li	.....	
2015/0157531 A1*	6/2015	Sedic	.....	A61H 19/40 601/46

**OTHER PUBLICATIONS**

Amazon, "Clitoral Licking G Spot Vibrator", Date First Available: Jun. 30, 2022. [https://www.amazon.com/Realistic-Clitoris-Stimulator-Rechargeable-Stimulation/dp/B0B5G5KJLV/ref=cm\\_cr\\_ar\\_p\\_d\\_product\\_top?ie=UTF8](https://www.amazon.com/Realistic-Clitoris-Stimulator-Rechargeable-Stimulation/dp/B0B5G5KJLV/ref=cm_cr_ar_p_d_product_top?ie=UTF8) (Year: 2022).\*

\* cited by examiner

*Primary Examiner* — Michael A Maharajh

(74) *Attorney, Agent, or Firm* — Nitin Kaushik

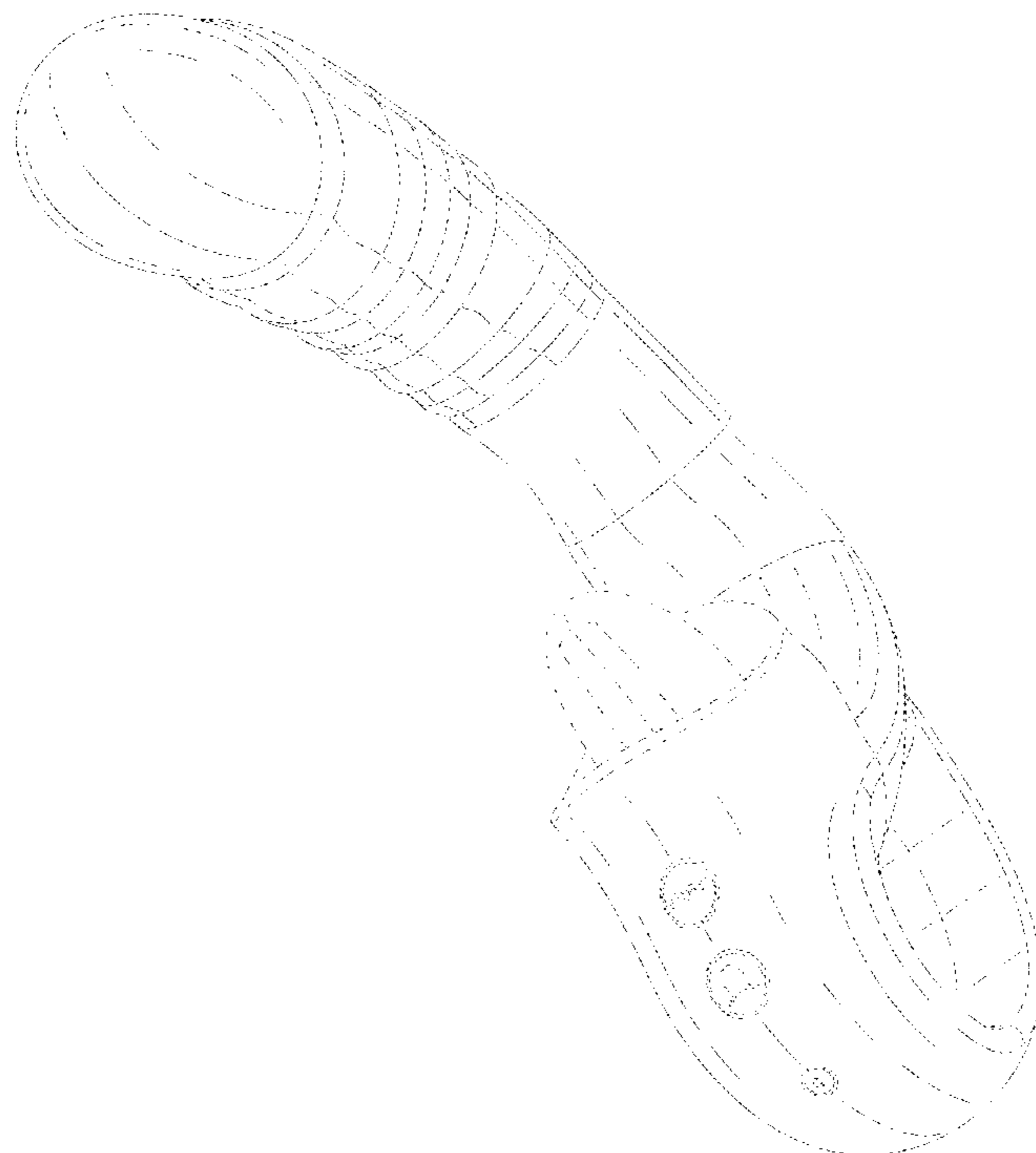
(57) **CLAIM**

The ornamental design for a vibrator, as shown and described.

**DESCRIPTION**

FIG. 1 is a front perspective view of a vibrator, showing my new design;  
FIG. 2 is a rear perspective view thereof;  
FIG. 3 is a front view thereof;  
FIG. 4 is a rear view thereof;  
FIG. 5 is a right side view thereof;  
FIG. 6 is a left side view thereof;  
FIG. 7 is a top view thereof; and,  
FIG. 8 is a bottom view thereof.  
The broken lines in the drawings illustrate the portions of the vibrator, which form no part of the claimed design.

**1 Claim, 8 Drawing Sheets**



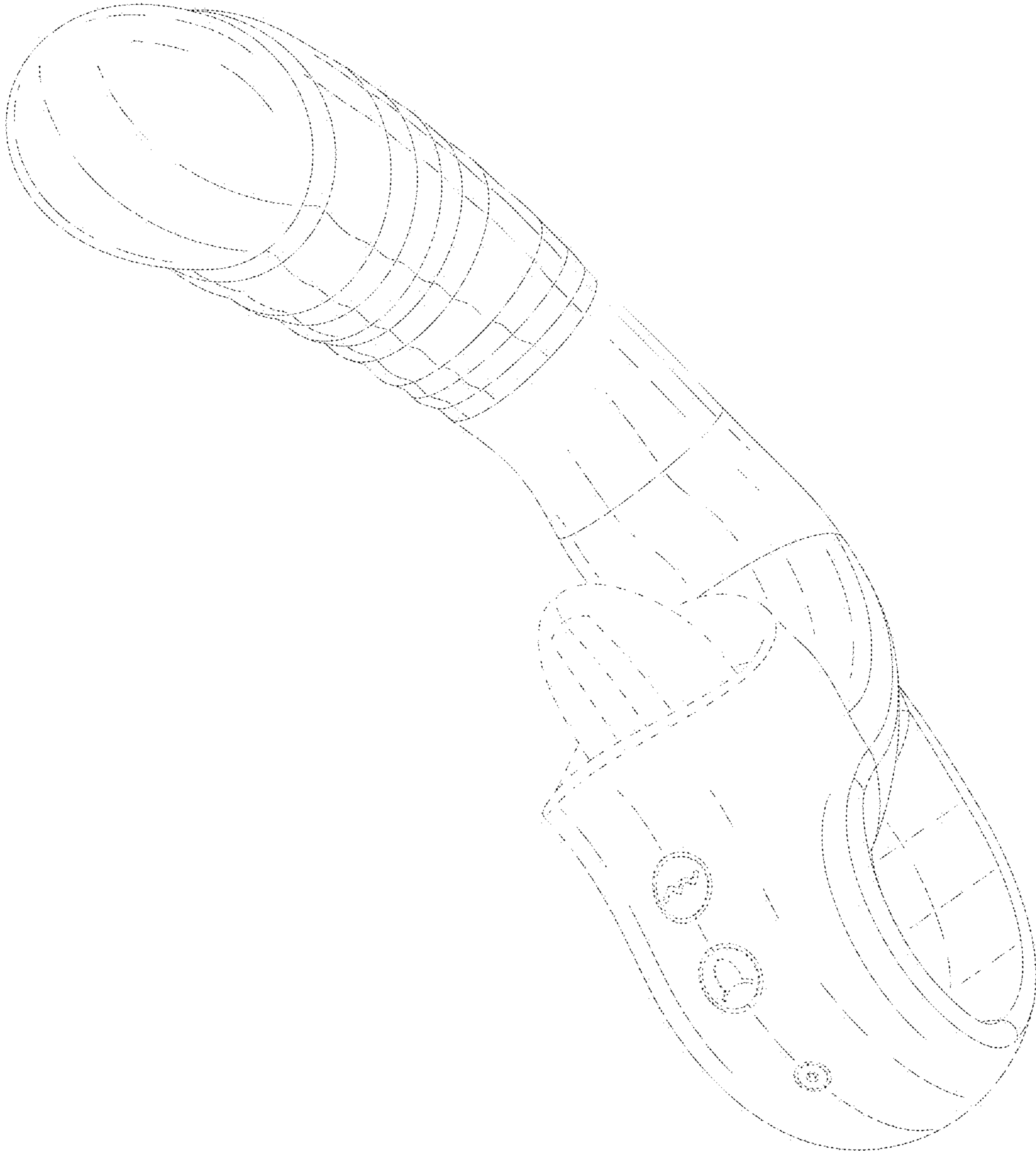


FIG. 1

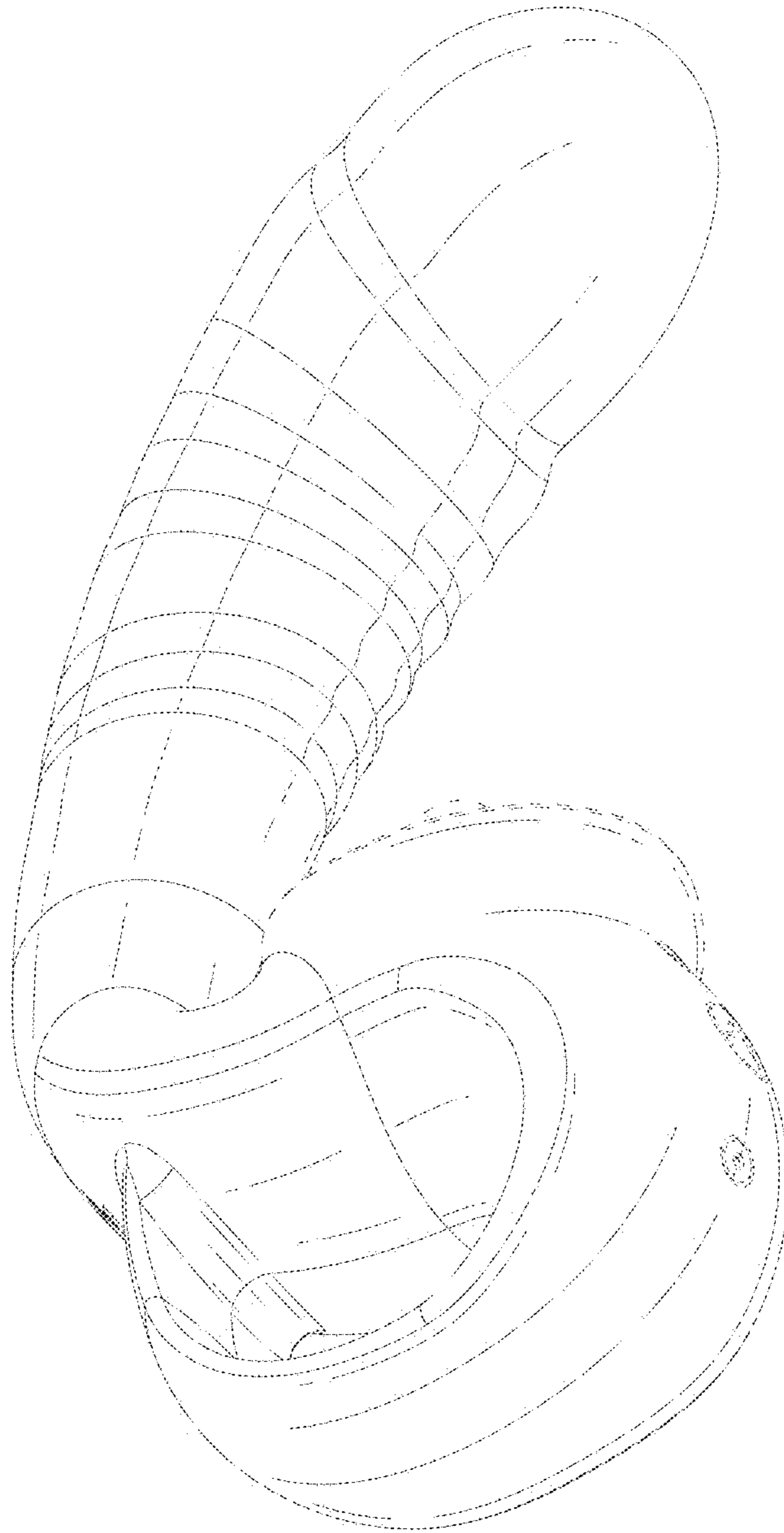


FIG. 2

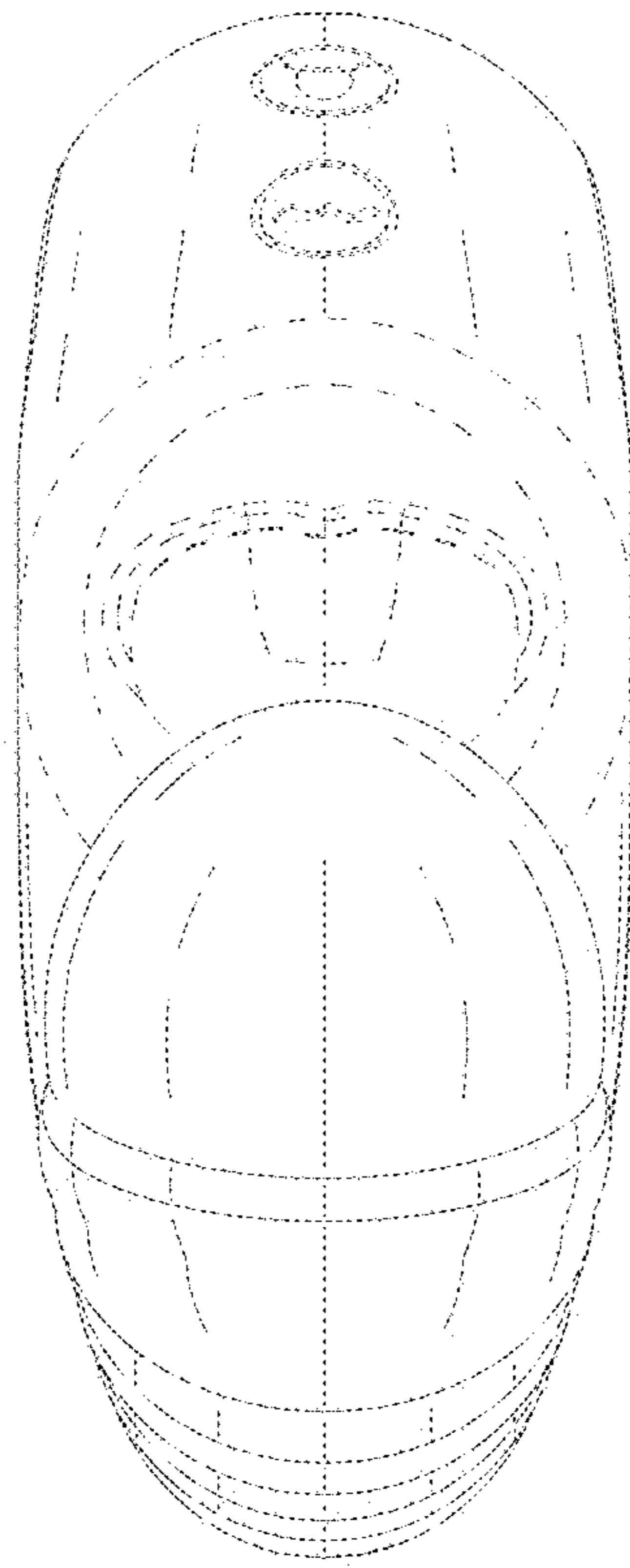


FIG. 3

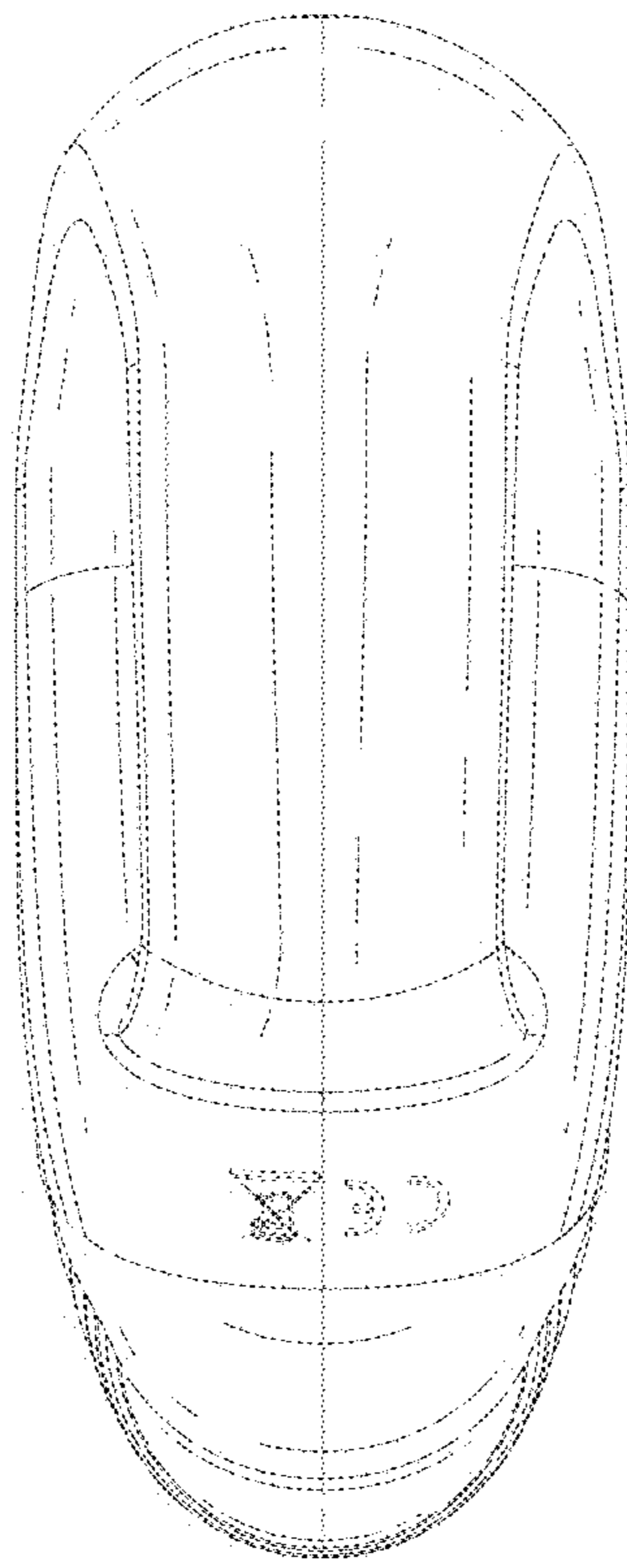


FIG. 4

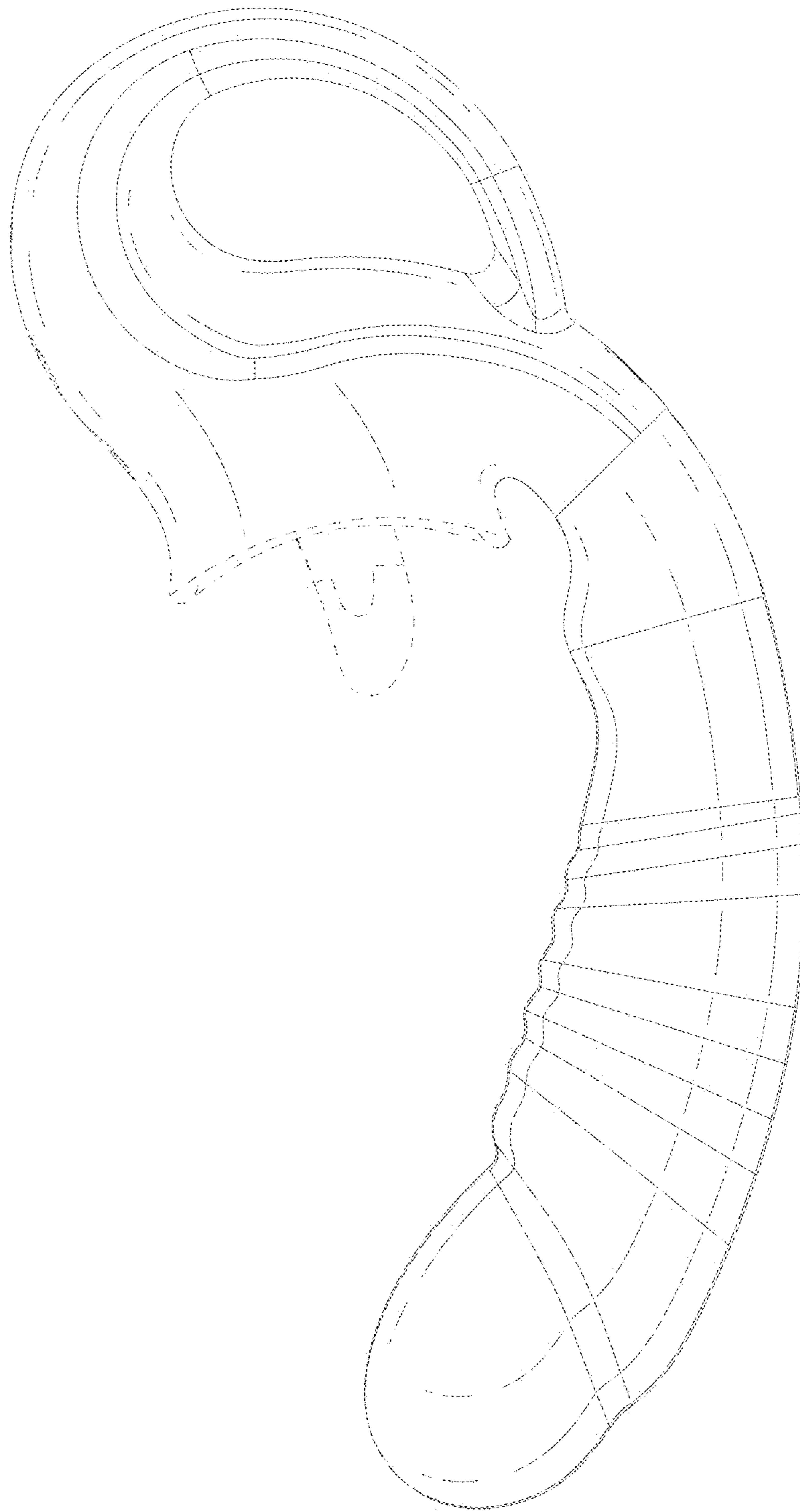


FIG. 5

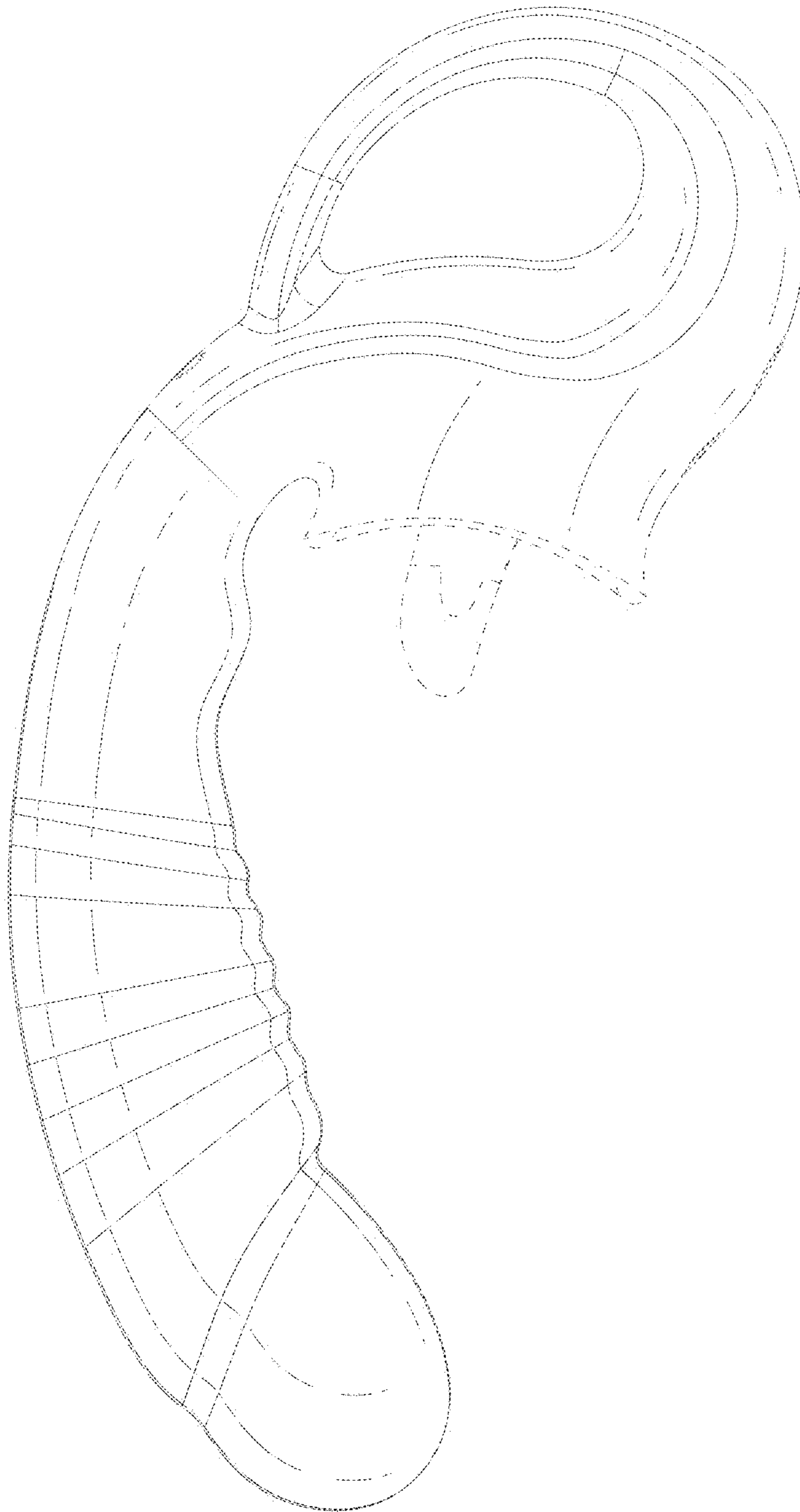


FIG. 6

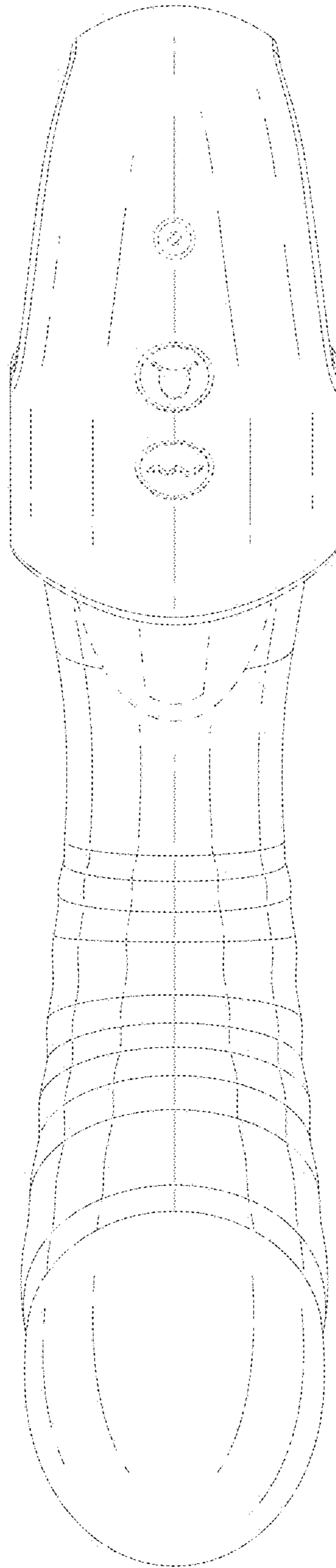


FIG. 7



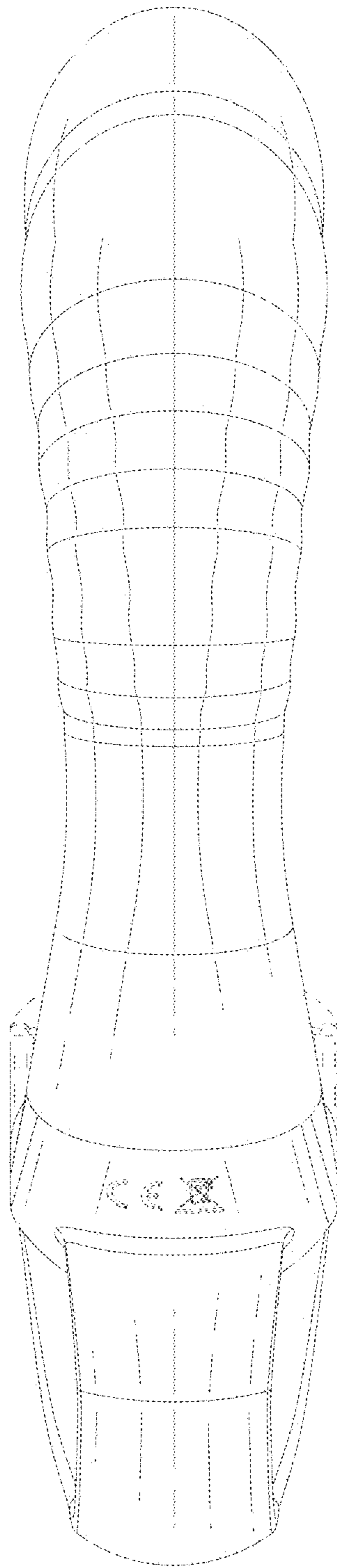


FIG. 8