



US00D982771S

(12) **United States Design Patent** (10) **Patent No.:** **US D982,771 S**
Xia (45) **Date of Patent:** **** Apr. 4, 2023**

(54) **FOOT MASSAGER**
(71) Applicant: **Yangzhou Xia**, Shenzhen (CN)
(72) Inventor: **Yangzhou Xia**, Shenzhen (CN)
(**) Term: **15 Years**
(21) Appl. No.: **29/856,163**
(22) Filed: **Oct. 11, 2022**
(51) **LOC (14) Cl.** **28-03**
(52) **U.S. Cl.**
USPC **D24/215**
(58) **Field of Classification Search**
USPC D24/215, 200, 211, 212, 213, 214, 133,
D24/107, 231, 184, 209, 206, 188, 201,
D24/202, 203; D21/671
CPC A61H 33/00; A61H 33/0087; A61H
2033/048; A61H 35/00; A61H 35/006;
A61H 2205/10; A61H 2205/106; A61H
2205/12
See application file for complete search history.

(56) **References Cited**
U.S. PATENT DOCUMENTS
D436,180 S * 1/2001 Lie D24/213
D453,836 S * 2/2002 Gillette D24/213
D455,498 S * 4/2002 Gillette D24/213
D537,949 S * 3/2007 Lie D24/213
D652,940 S * 1/2012 Byle D24/215
D717,962 S * 11/2014 Chen D24/213
D880,711 S 4/2020 Xu
D901,200 S * 11/2020 Lee D6/360
D932,644 S 10/2021 Yao et al.
D949,408 S * 4/2022 Ren D24/213
2005/0187496 A1 * 8/2005 Ho A47K 3/022
601/166
2017/0258675 A1 * 9/2017 Zou A61H 15/00
2021/0128403 A1 * 5/2021 Tan A61H 9/0078

OTHER PUBLICATIONS
HIOD—Shiatsu Massager. Date: Jun. 26, 2019. [online]. [Site visited Nov. 28, 2022]. Available from Internet URL: <https://www.amazon.co.uk/dp/B07TNJ1GSS/> (Year: 2019).*

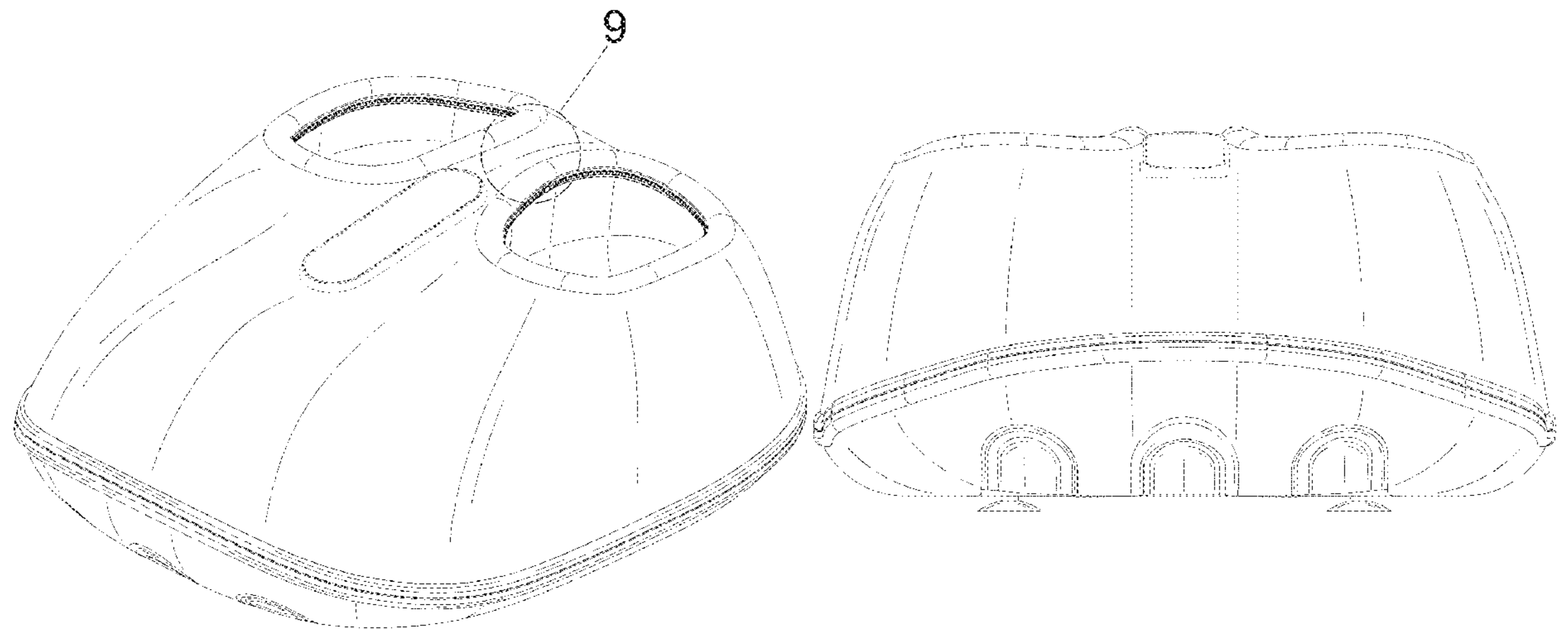
Brookstone—Shiatsu Foot Massager. Date: Apr. 16, 2021. [online]. [Site visited Nov. 28, 2022]. Available from Internet URL: <https://www.amazon.co.uk/dp/B092RK8TFC/> (Year: 2021).*
Neuksso—Foot Massager. Date: Jun. 22, 2022. [online]. [Site visited Nov. 28, 2022]. Available from Internet URL: <https://www.amazon.com/dp/B0B4RDBDMC/> (Year: 2022).*
Foot massagers. (Design—© Questel) orbit.com. [Online PDF compilation of references] 37 pgs. Print Dates Range Oct. 29, 2014-Apr. 26, 2022 [Retrieved Nov. 30, 2022] <https://www.orbit.com/export/UCZAH96B/pdf4/edf40988-a054-4392-832b-4ea1cca31759-181155.pdf> (Year: 2022).*

* cited by examiner
Primary Examiner — Eliza Z Harvey
Assistant Examiner — Landon Thomas Cassell
(74) *Attorney, Agent, or Firm* — Georgi Korobanov

(57) **CLAIM**
The ornamental design for a foot massager, as shown and described.

DESCRIPTION
FIG. 1 is a front, right and bottom perspective view of a foot massager, showing my new design;
FIG. 2 is a rear, left and top perspective view thereof;
FIG. 3 is a front view thereof;
FIG. 4 is a rear view thereof;
FIG. 5 is a left side view thereof;
FIG. 6 is a right side view thereof;
FIG. 7 is a top plan view thereof;
FIG. 8 is a bottom plan view thereof; and,
FIG. 9 is an enlarged view of portion 9 shown in FIG. 1.
The broken lines in the drawings depict portions of the foot massager that form no part of the claimed design. The unevenly spaced dot-dash broken lines in FIG. 1 and FIG. 9 depict boundaries of the enlarged area of the drawing and form no part of the claimed design.

1 Claim, 9 Drawing Sheets



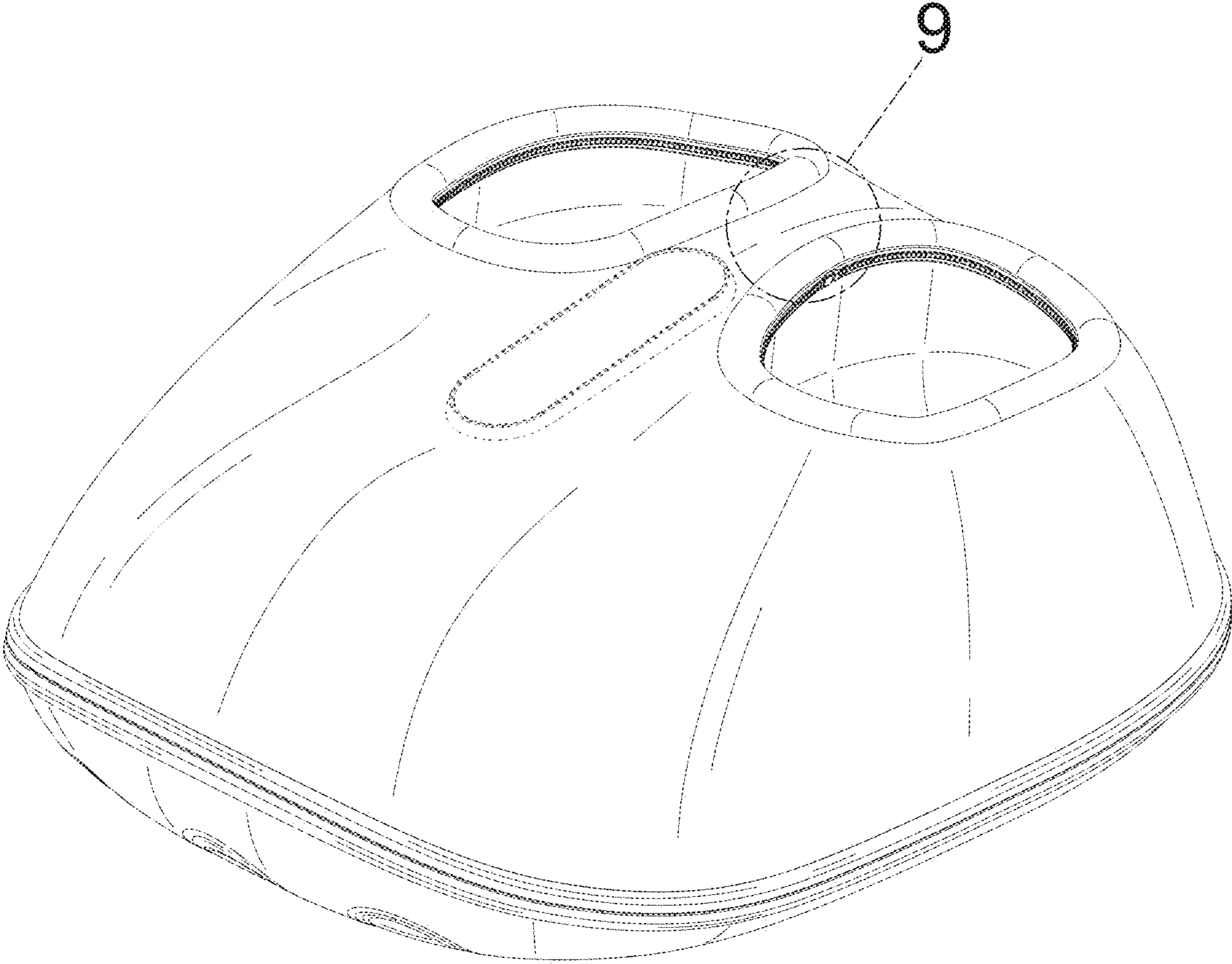


FIG. 1

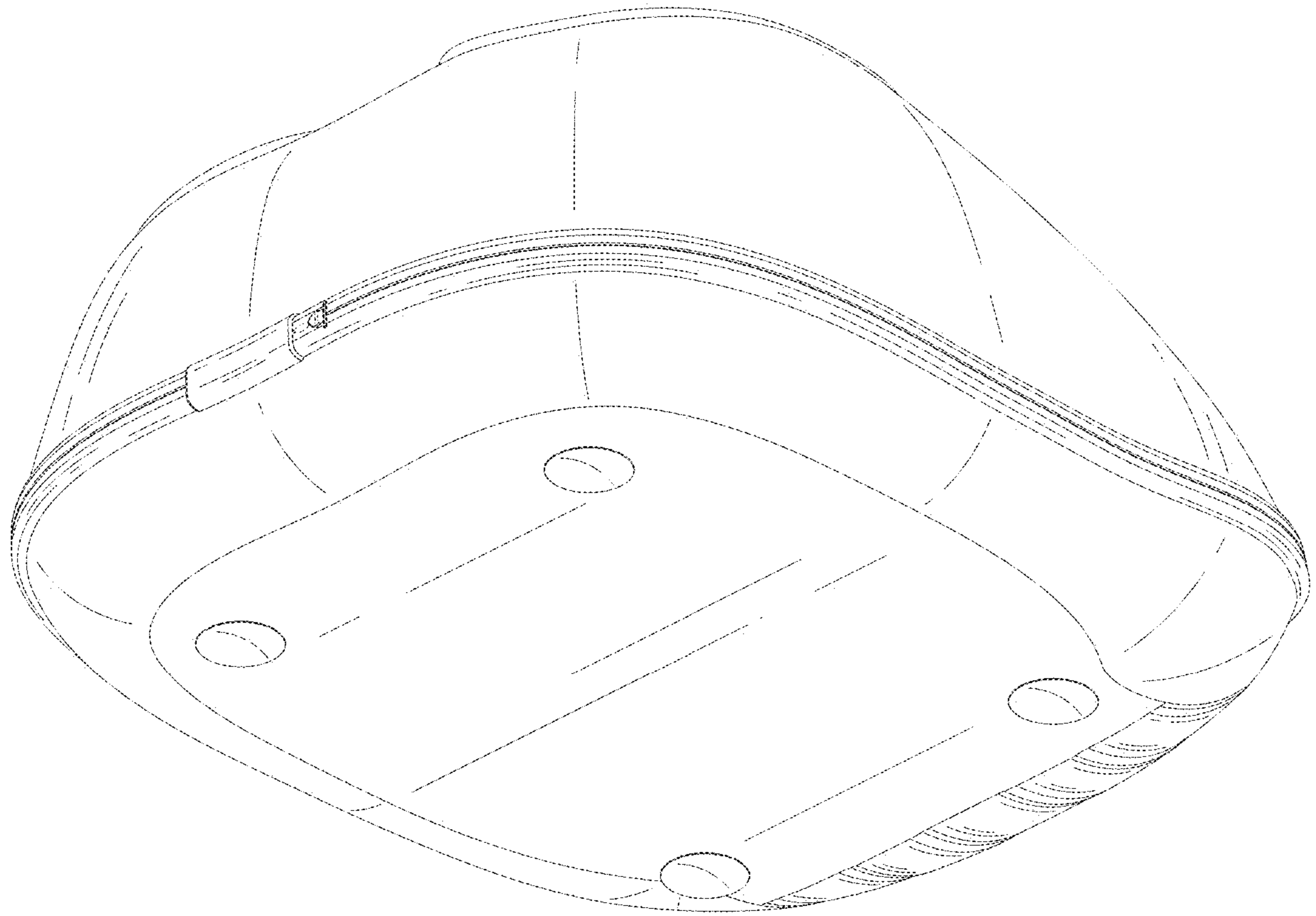


FIG. 2

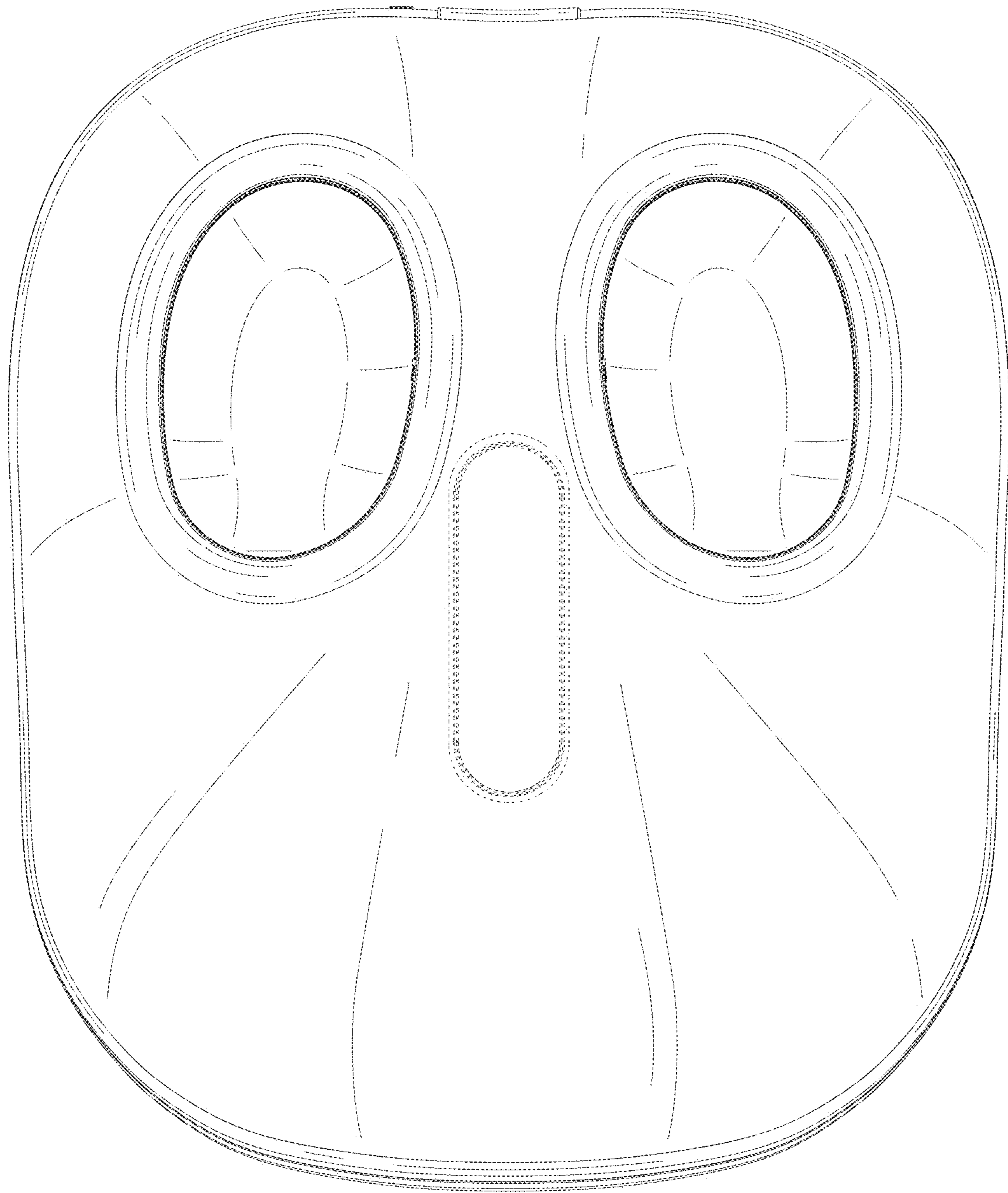


FIG. 3

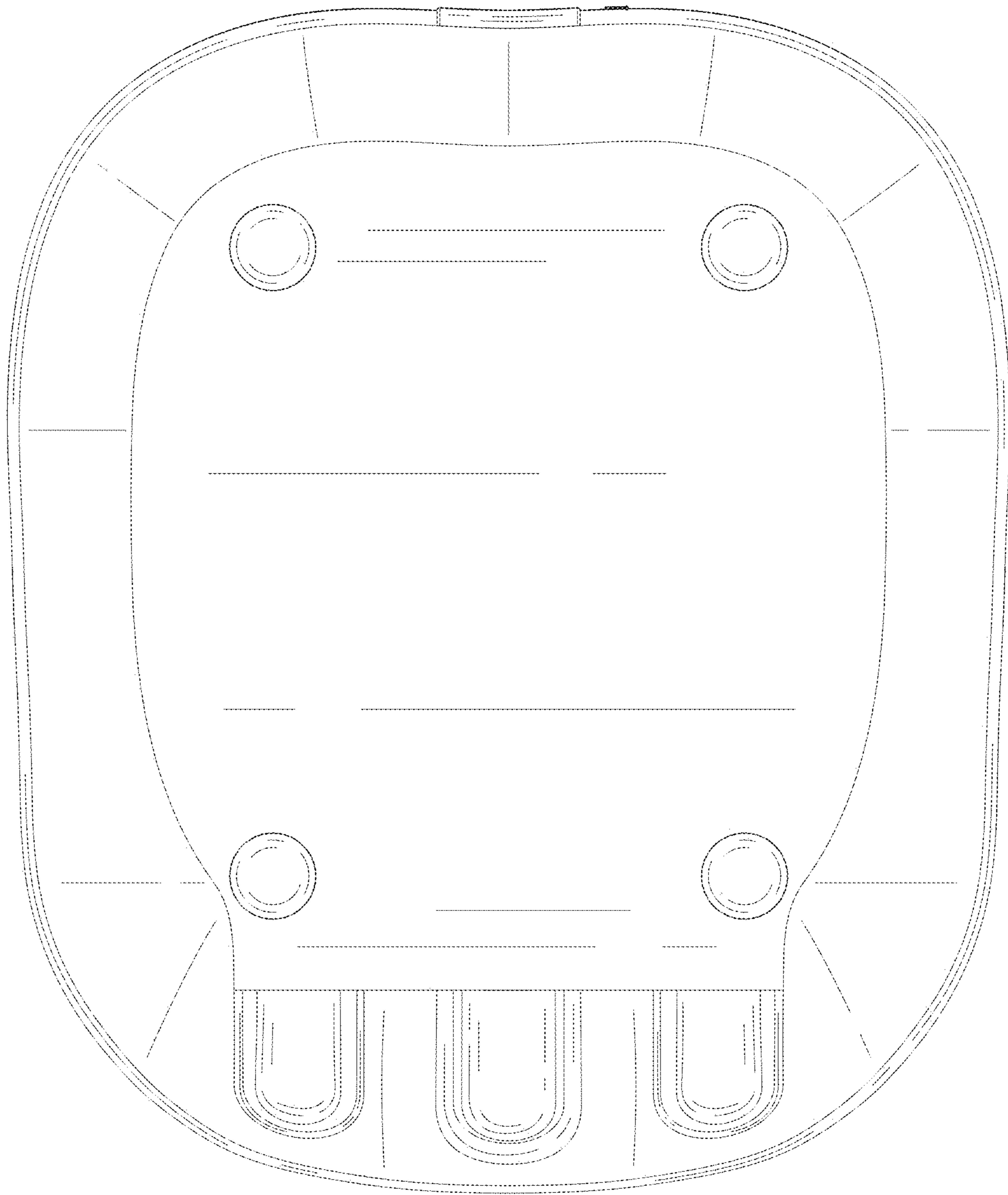


FIG. 4

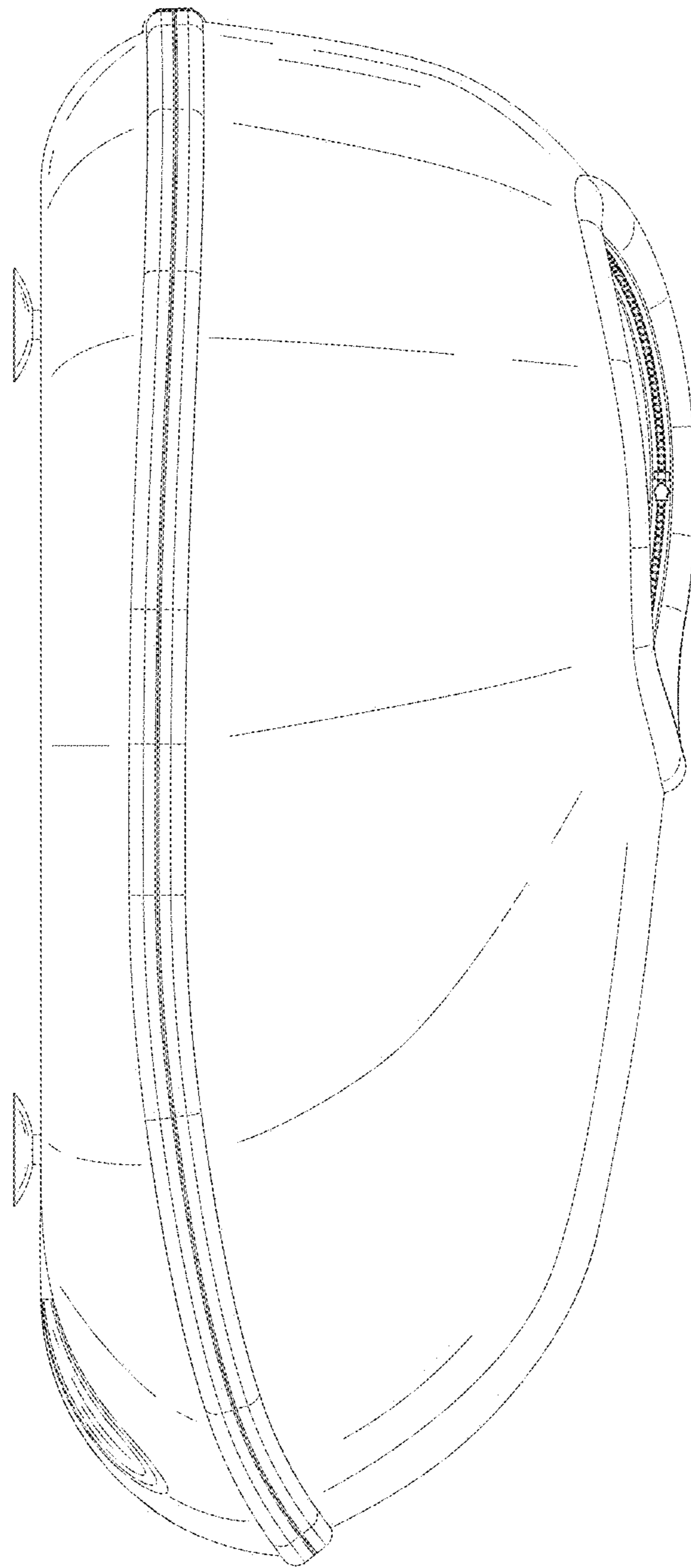


FIG. 5

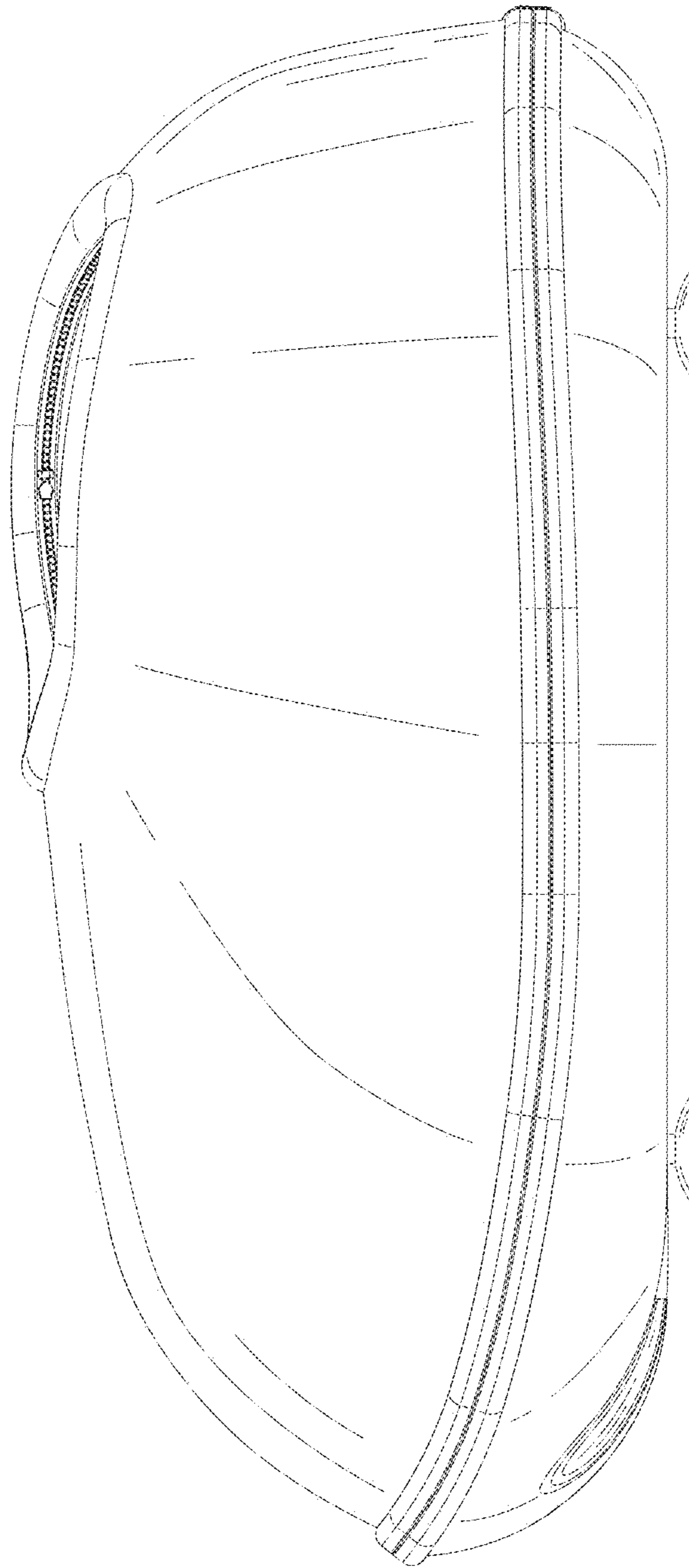


FIG. 6

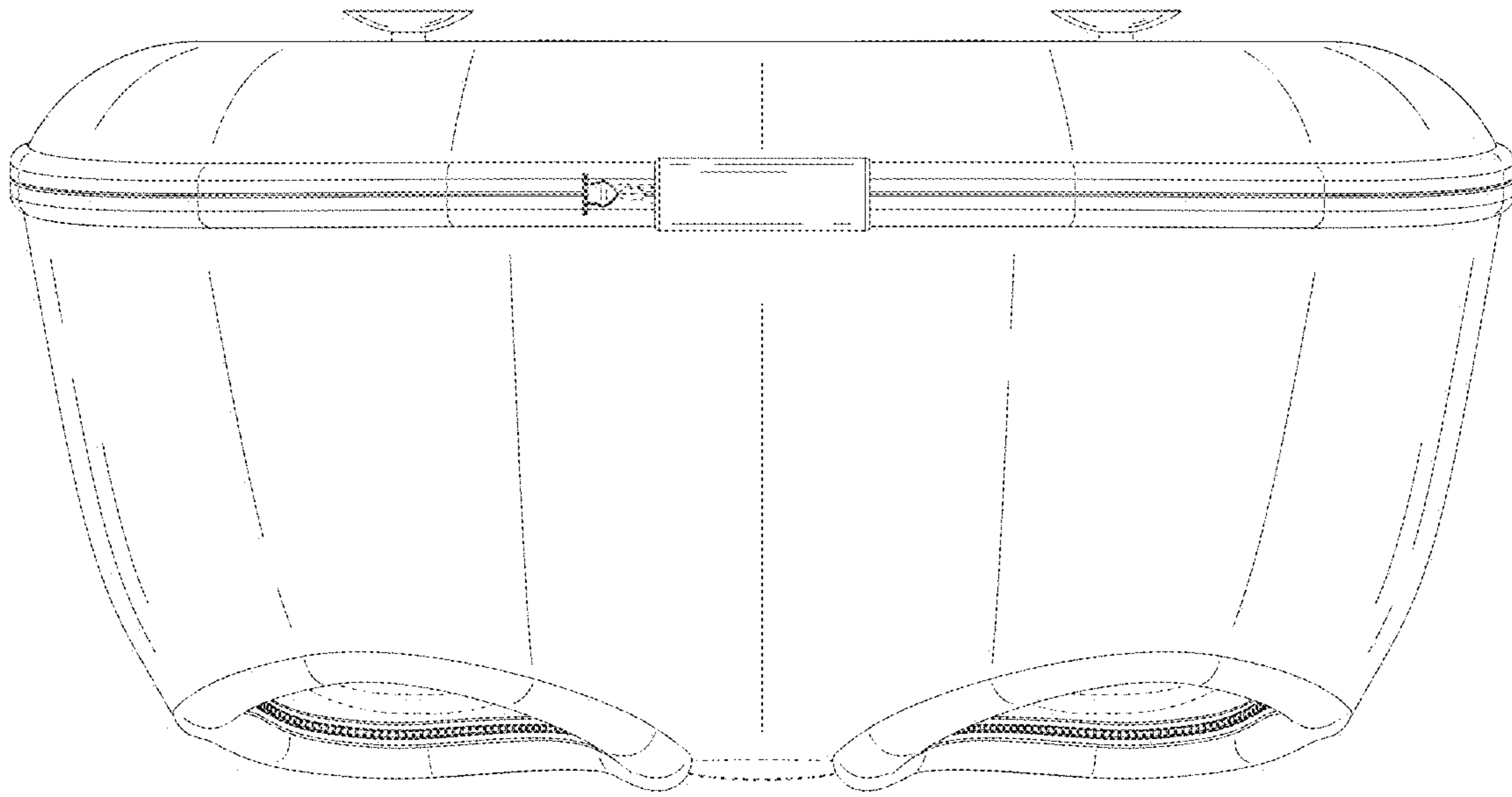


FIG. 7

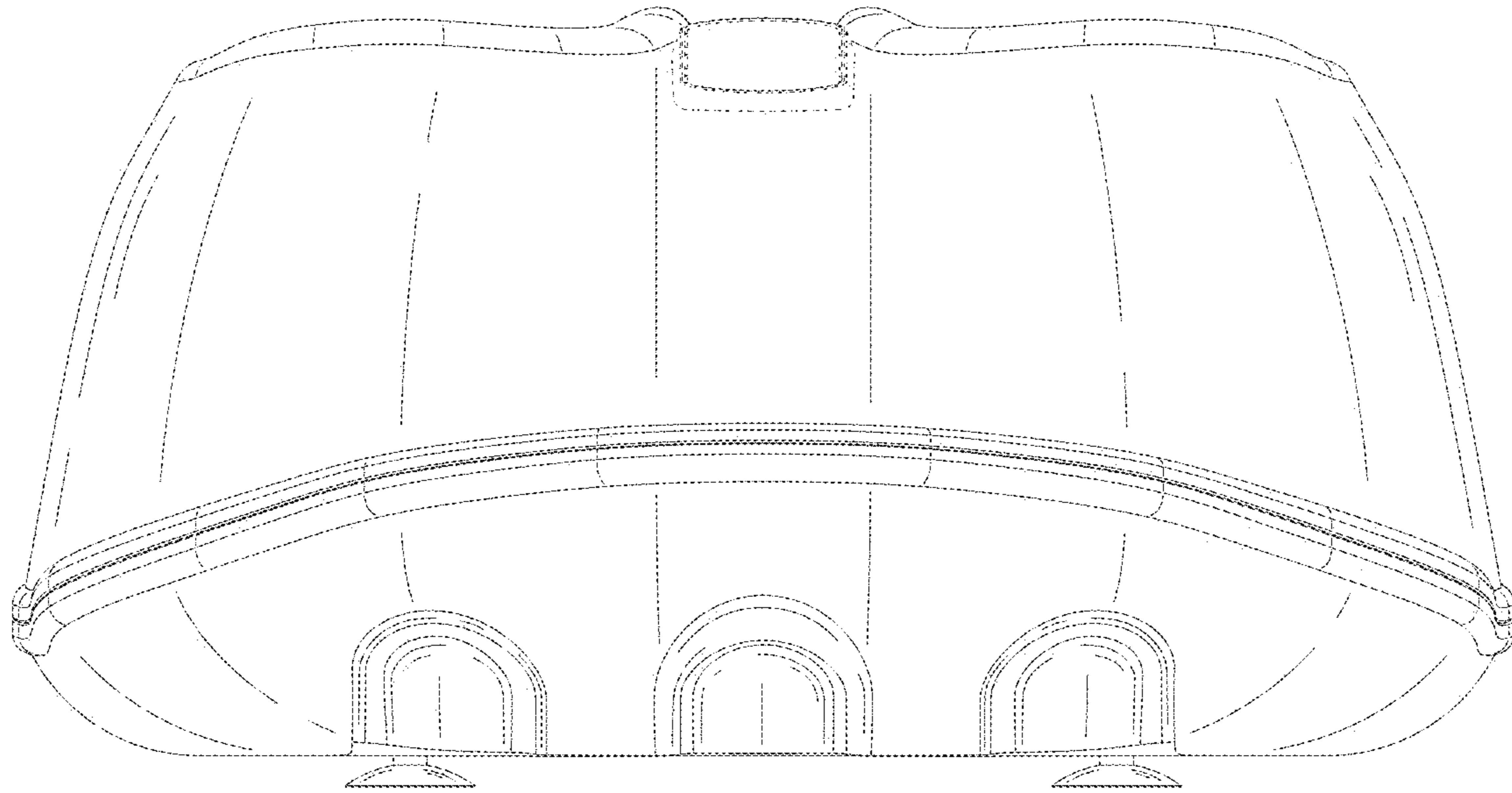


FIG. 8

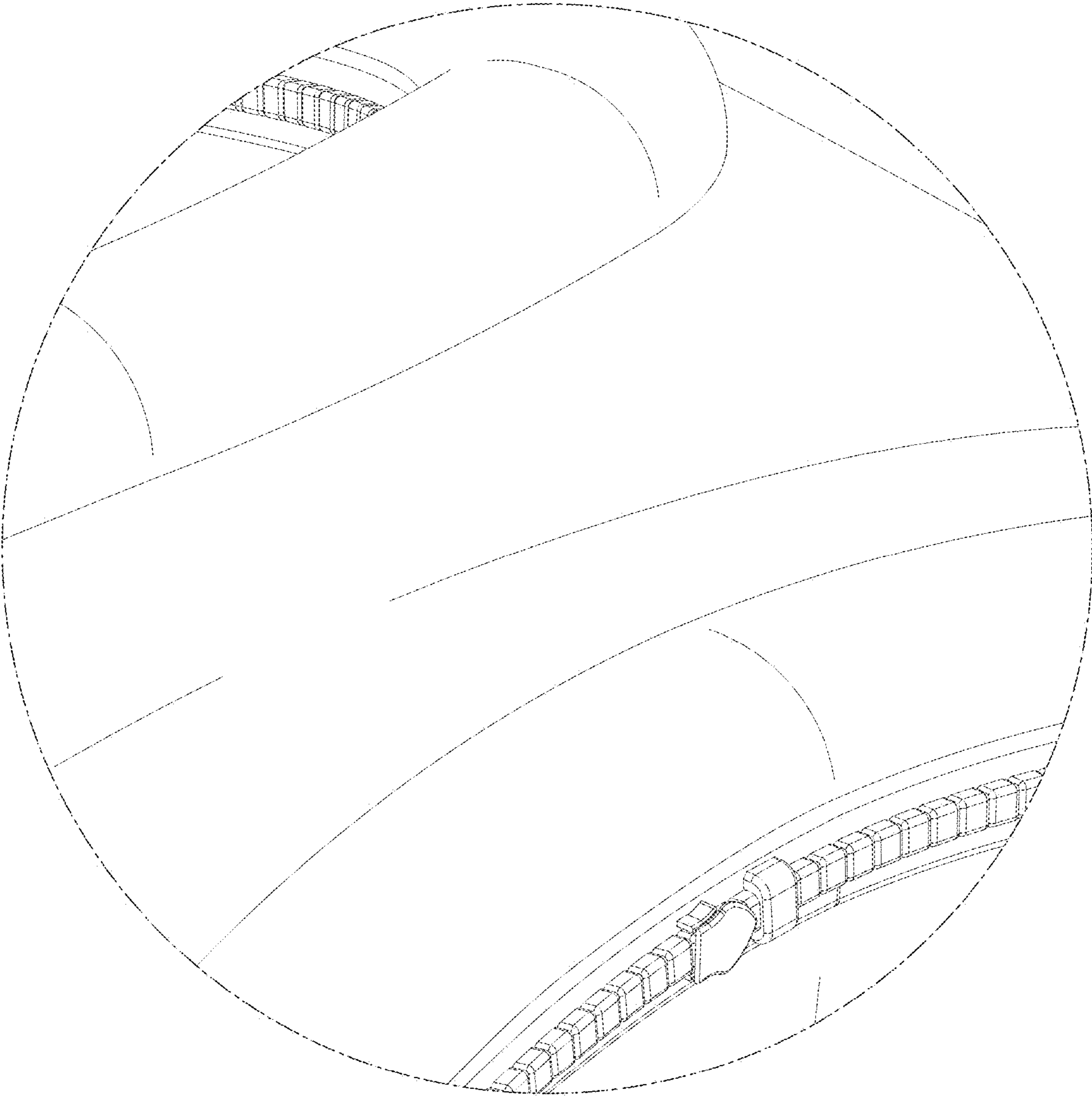


FIG. 9