



US00D982769S

(12) **United States Design Patent**  
**Koth**

(10) **Patent No.:** **US D982,769 S**

(45) **Date of Patent:** **\*\* Apr. 4, 2023**

- (54) **MESSAGE DEVICE**
- (71) Applicant: **Aletha Inc.**, Walnut Creek, CA (US)
- (72) Inventor: **Christine Annette Koth**, Walnut Creek, CA (US)
- (73) Assignee: **ALETHA INC.**, Walnut Creek, CA (US)

D826,417 S *	8/2018	Faussett	.....	D24/211
D841,829 S *	2/2019	Evans	.....	D24/215
D871,108 S *	12/2019	Yang	.....	D6/601
D879,989 S *	3/2020	Mollohan	.....	D24/215
D905,180 S *	12/2020	Karvandi	.....	D21/694
D928,336 S *	8/2021	Mollohan	.....	D24/215
D928,337 S *	8/2021	Mollohan	.....	D24/215
D949,602 S *	4/2022	Kliegman	.....	D6/601
D950,067 S *	4/2022	Grindstaff	.....	D24/190
D965,801 S *	10/2022	Cooper	.....	D24/200

(\*\*) Term: **15 Years**

(21) Appl. No.: **29/803,800**

(22) Filed: **Aug. 16, 2021**

(51) **LOC (14) Cl.** ..... **24-01**

(52) **U.S. Cl.**  
USPC ..... **D24/215**

(58) **Field of Classification Search**  
USPC ..... D24/184, 191, 200, 211, 212, 213, 214,  
D24/215; D30/160; D6/349, 601, 604;  
D25/102, 112, 113, 119; D21/686, 803  
CPC ..... A61H 39/04; A61H 2015/0042; A61H  
2201/0157; A61H 2201/1614; A61H  
1/0296

See application file for complete search history.

(56) **References Cited**

**U.S. PATENT DOCUMENTS**

D615,662 S *	5/2010	Turner	.....	D24/200
D687,958 S *	8/2013	Turner	.....	D24/215
D705,940 S *	5/2014	Tai	.....	D24/215
D725,407 S *	3/2015	McCracken	.....	D6/601
D733,897 S *	7/2015	Rossouw	.....	D24/190
D736,397 S *	8/2015	McAviney	.....	D25/119
D739,036 S *	9/2015	McAviney	.....	D25/119

**OTHER PUBLICATIONS**

Alethahealth, "Nuckle", Access Date Oct. 25, 2022. <https://www.alethahealth.com/nuckle> (Year: 2022).\*

Youtube, "Using the Nuckle to release your Neck muscles", Published Date: Oct. 29, 2021. <https://www.youtube.com/watch?v=vsC5ejvdFyc> (Year: 2021).\*

\* cited by examiner

*Primary Examiner* — Michael A Maharajh

(74) *Attorney, Agent, or Firm* — Kwan & Olynick LLP

(57) **CLAIM**

I claim the ornamental design for a massage device, as shown and described.

**DESCRIPTION**

FIG. 1 is a left front top perspective view of a massage device, showing my new design:

FIG. 2 is a front elevation view thereof;

FIG. 3 is a rear elevation view thereof;

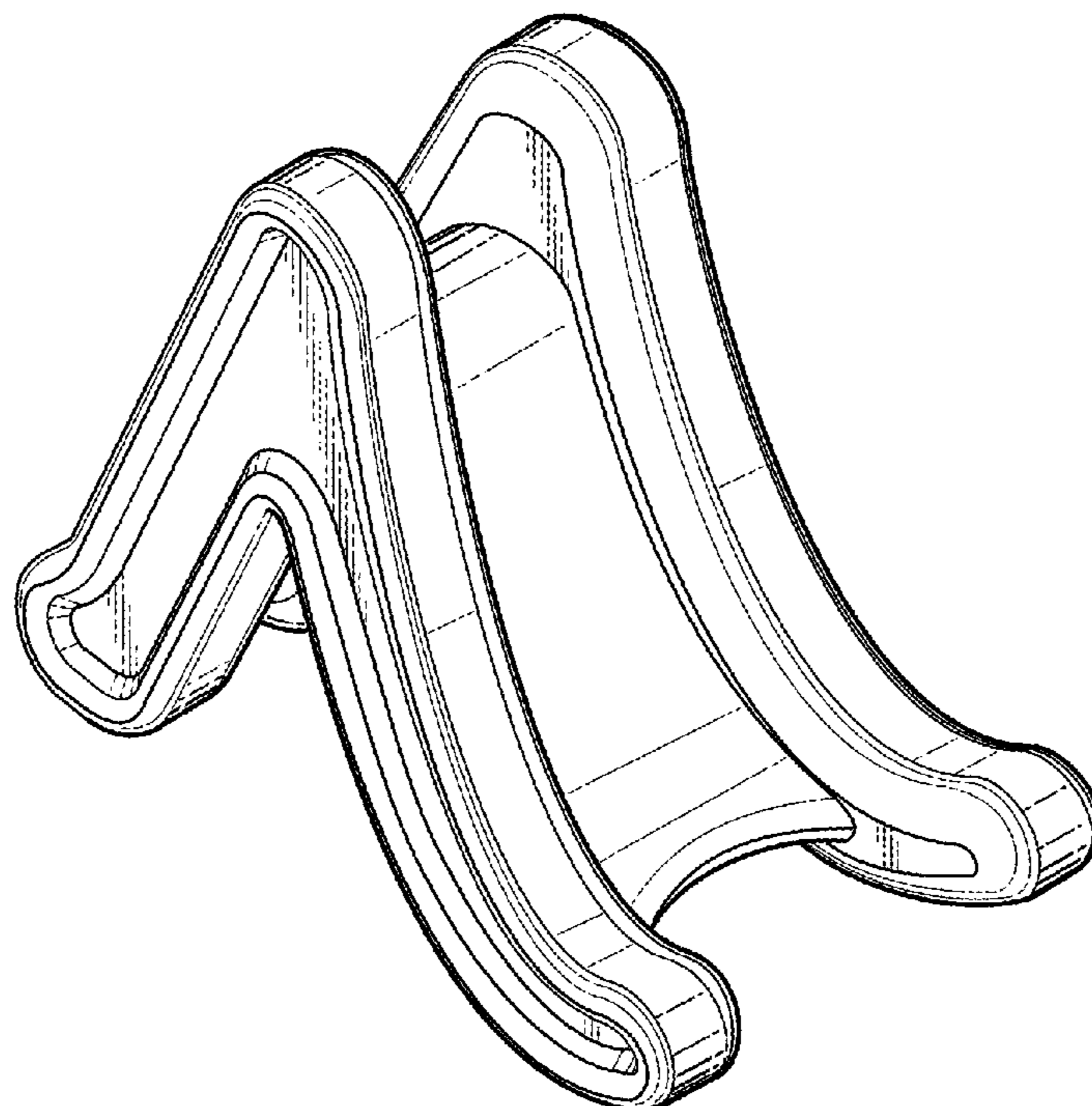
FIG. 4 is a top plan view thereof;

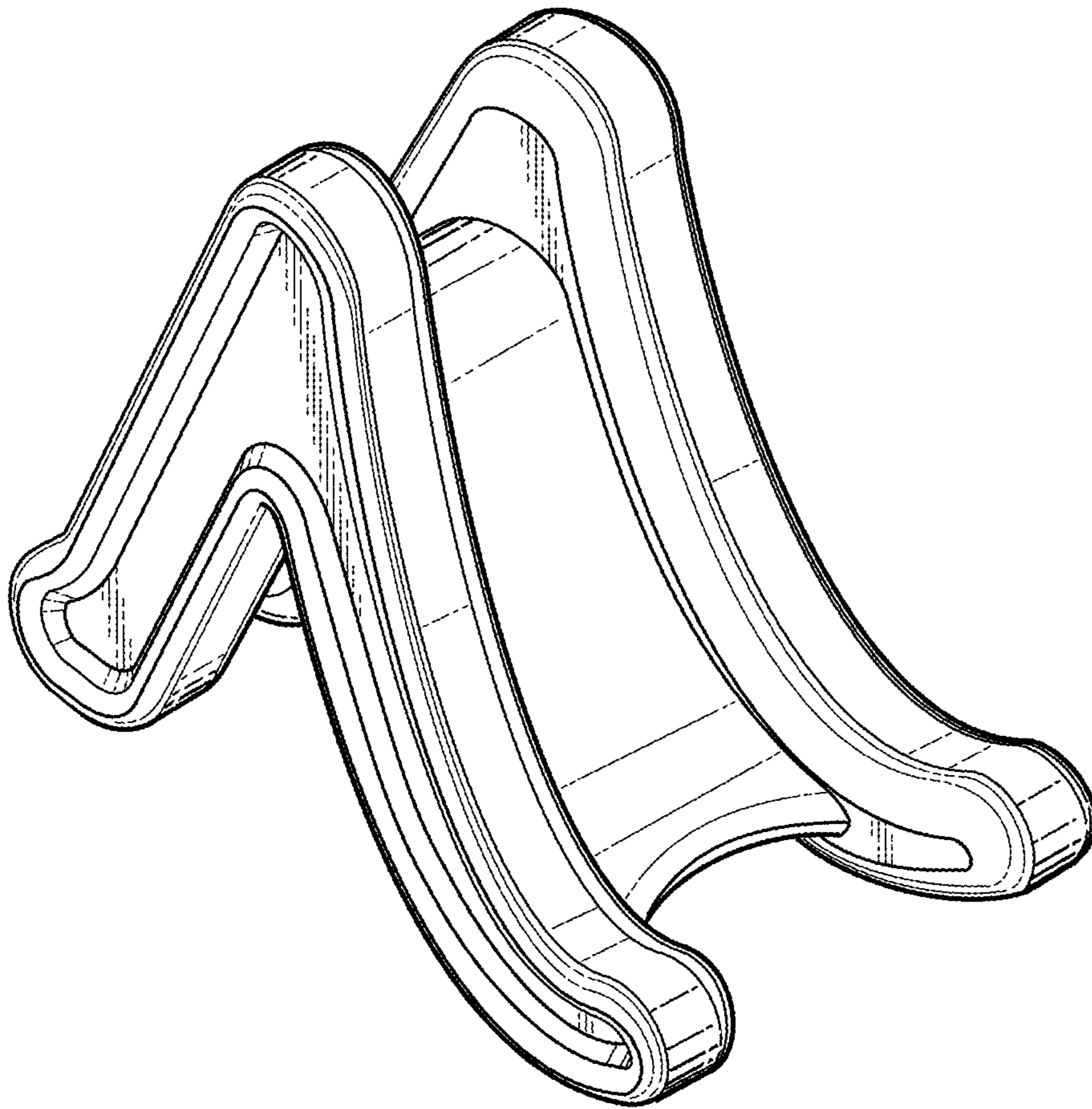
FIG. 5 is a bottom plan view thereof;

FIG. 6 is a right side elevation view thereof; and,

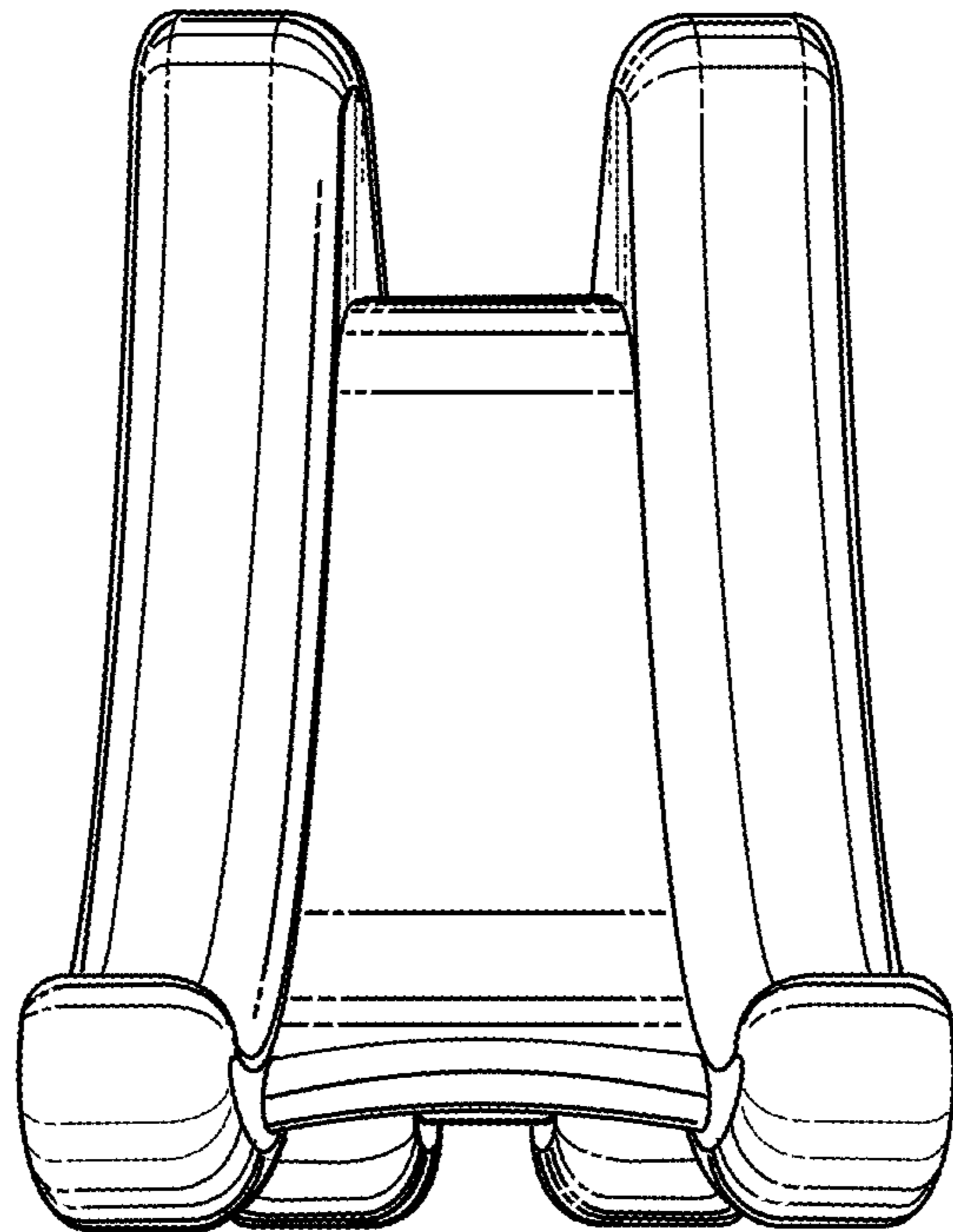
FIG. 7 is a left side elevation view thereof.

**1 Claim, 4 Drawing Sheets**

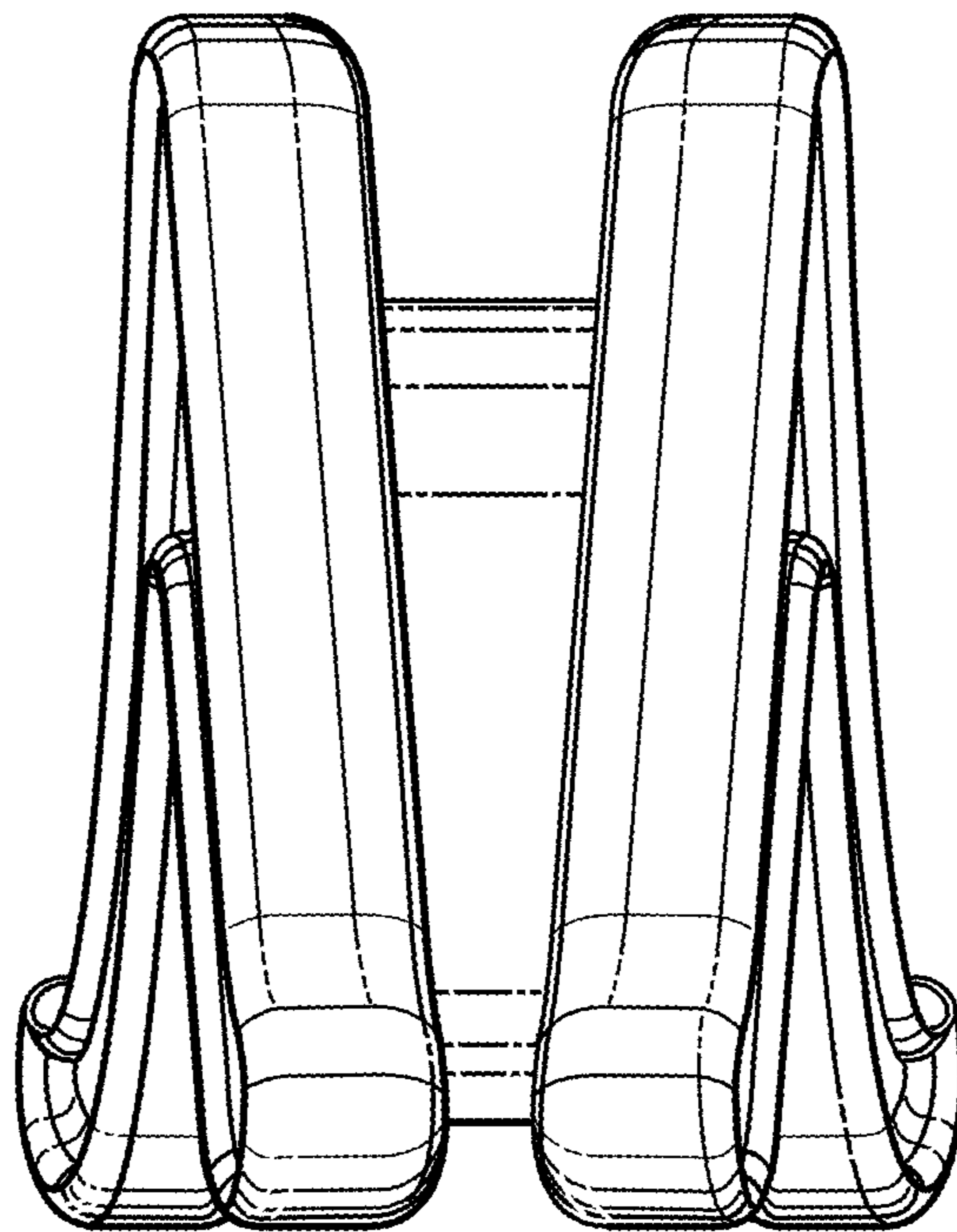




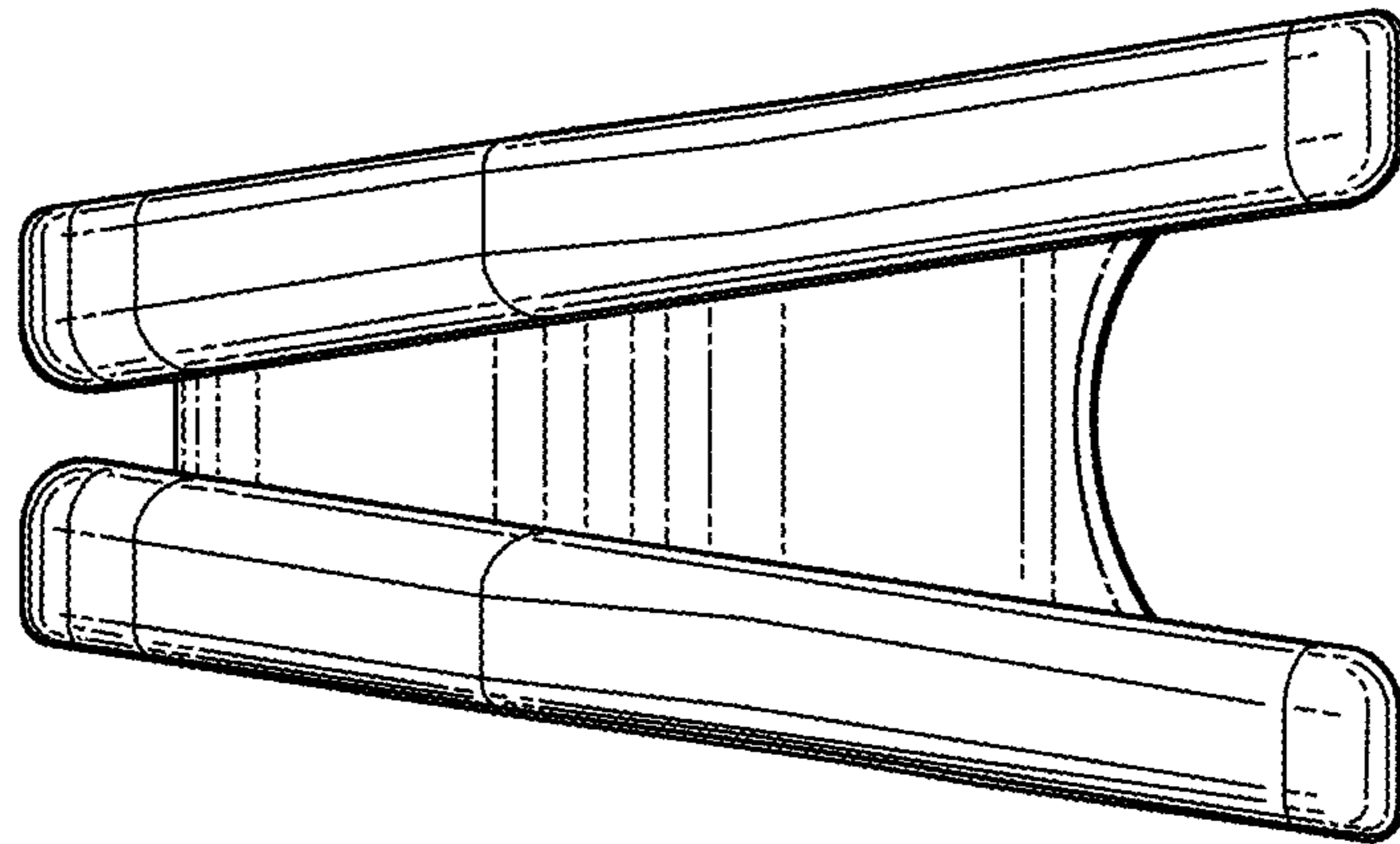
***FIG. 1***



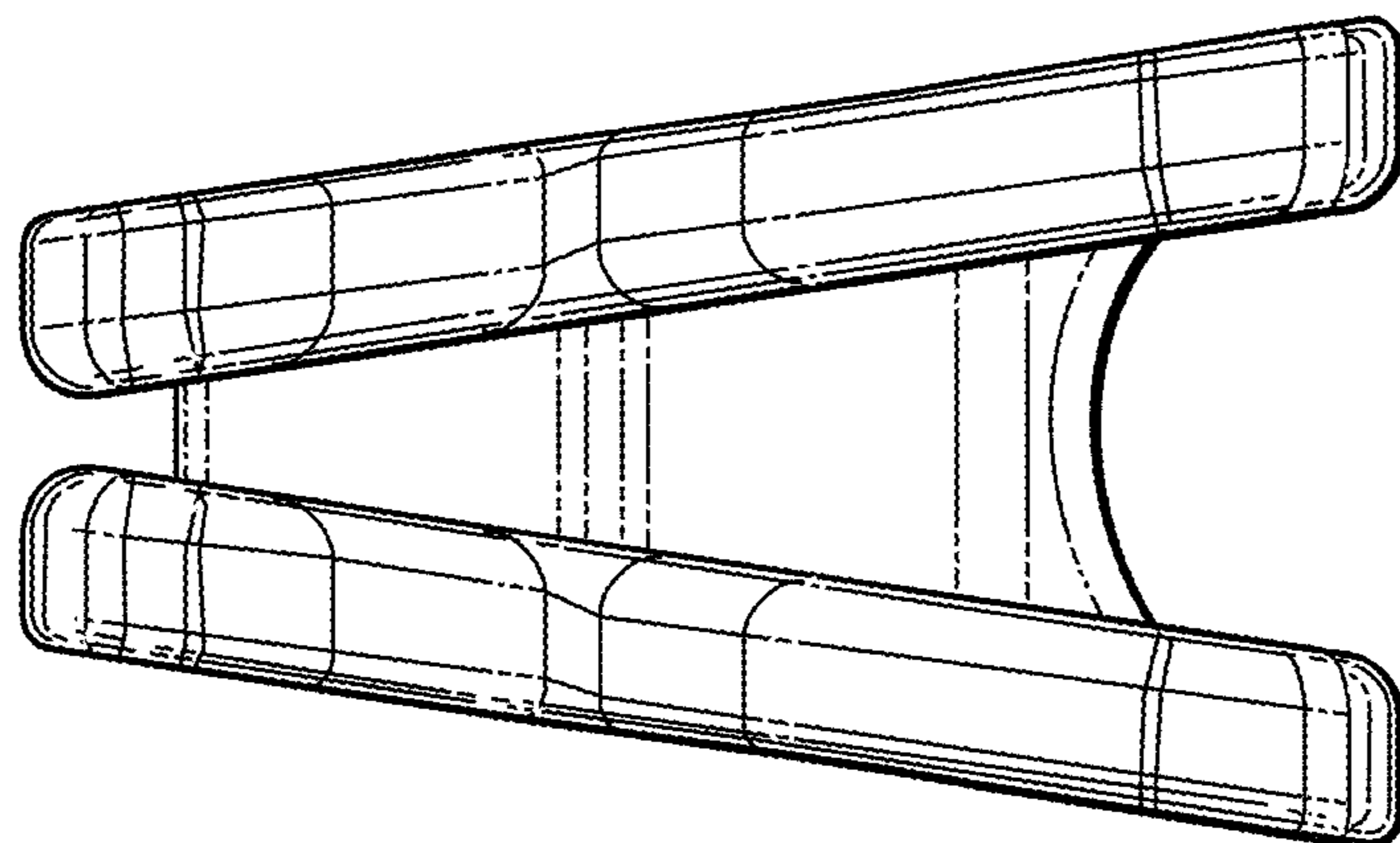
***FIG. 2***



***FIG. 3***

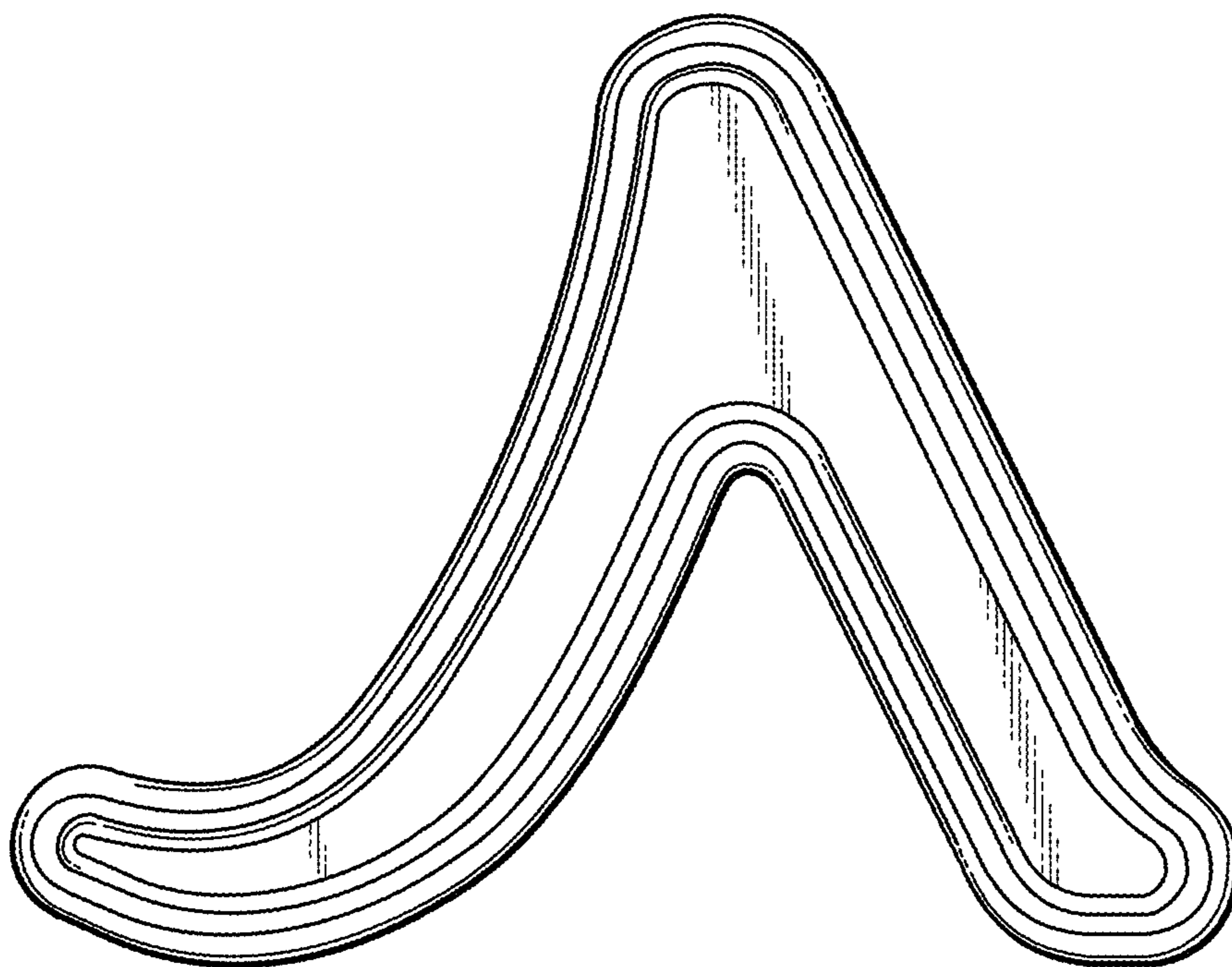


**FIG. 4**

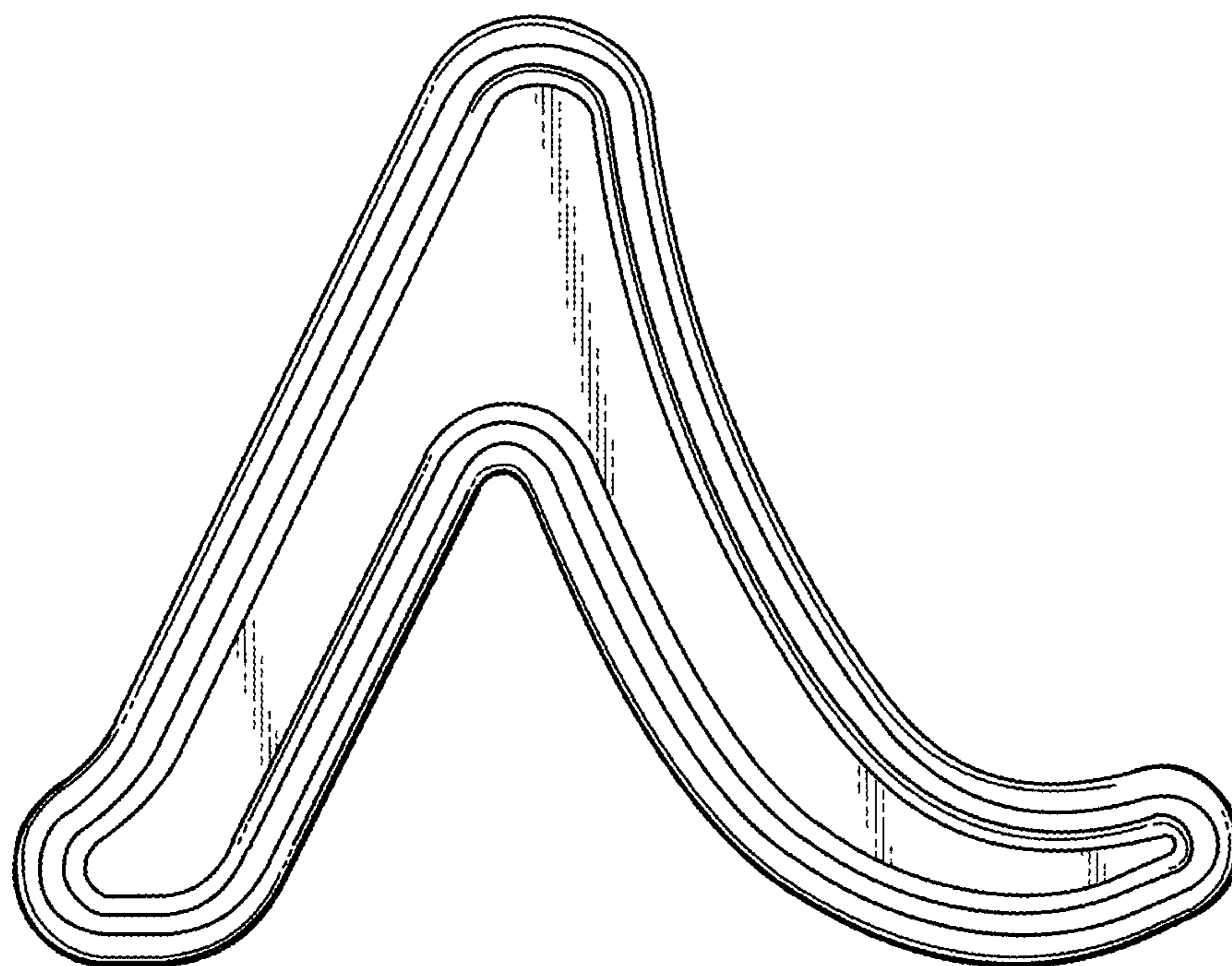


**FIG. 5**





**FIG. 6**



**FIG. 7**