



US00D982768S

(12) **United States Design Patent**
Zhu

(10) **Patent No.:** **US D982,768 S**

(45) **Date of Patent:** **** Apr. 4, 2023**

(54) **FASCIA GUN**
(71) Applicant: **Taojian Zhu**, Zhejiang (CN)
(72) Inventor: **Taojian Zhu**, Zhejiang (CN)
(**) Term: **15 Years**

D949,384 S * 4/2022 Liang D24/215
D949,396 S * 4/2022 Li D24/215
D950,087 S * 4/2022 Shu D24/215
D961,799 S * 8/2022 Ying D24/215
D964,584 S * 9/2022 Wang D24/215
D965,164 S * 9/2022 Luo D24/215

(21) Appl. No.: **29/782,064**
(22) Filed: **May 4, 2021**
(51) **LOC (14) Cl.** **24-01**
(52) **U.S. Cl.**
USPC **D24/215**
(58) **Field of Classification Search**
USPC D24/200, 211, 212, 213, 214, 215;
D8/14.1; D28/13
CPC A61H 23/006; A61H 23/02; A61H
2201/0165; A61H 23/00; A61H 7/00;
A61H 7/007; A61H 2023/002
See application file for complete search history.

OTHER PUBLICATIONS

Amazon, "Massage Gun", Date First Available: Feb. 8, 2022.
https://www.amazon.com/Massage-Massager-Percussion-Shoulder-MX-287/dp/B09RZNVJKQ/ref=cm_cr_arp_d_product_top?ie=UTF8 (Year: 2022).*

* cited by examiner

Primary Examiner — Michael A Maharajh

(57) **CLAIM**

The ornamental design for fascia gun, as shown and described.

DESCRIPTION

FIG. 1 is a top view of the fascia gun showing my new design;

FIG. 2 is a bottom view thereof;

FIG. 3 is a left side view thereof;

FIG. 4 is a right side view thereof;

FIG. 5 is a front view thereof;

FIG. 6 is a back view thereof;

FIG. 7 is a perspective view thereof; and,

FIG. 8 is an enlarged illustration of the portion of the fascia gun encircled at 8 in FIG. 2.

The broken lines shown in FIGS. 2 and 8 are for the purpose of showing enlarged areas and form no part of the claimed design.

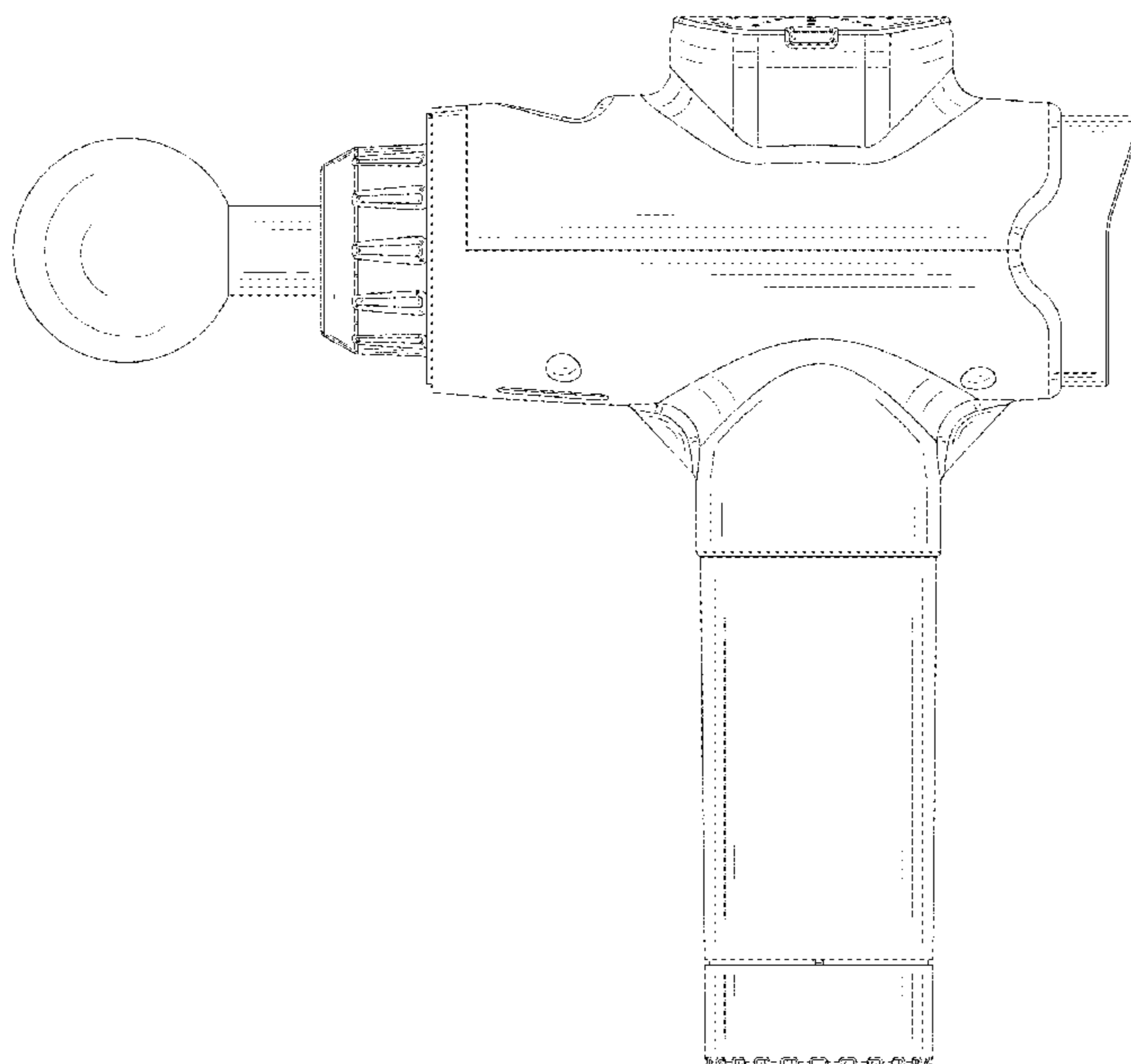
The broken lines shown in the figures are for the purpose of illustrating portions of the fascia gun, which form no part of the claimed design.

(56) **References Cited**

U.S. PATENT DOCUMENTS

D855,822 S * 8/2019 Marton D24/215
D886,317 S * 6/2020 Marton D24/215
D893,738 S * 8/2020 Zhuang D24/215
D895,831 S * 9/2020 Chen D24/215
D912,267 S * 3/2021 Tang D24/215
D918,408 S * 5/2021 Huang D24/215
D923,188 S * 6/2021 Xu D24/211
D928,338 S * 8/2021 Hu D24/215
D931,481 S * 9/2021 Li D24/211
D933,845 S * 10/2021 Zheng D24/215
D935,636 S * 11/2021 Luo D24/215
D938,056 S * 12/2021 Wu D24/215
D939,103 S * 12/2021 Xu D24/215
D945,007 S * 3/2022 Liu D24/215
D948,068 S * 4/2022 Xu D24/215
D949,379 S * 4/2022 Xu D24/215
D949,381 S * 4/2022 Kong D24/215

1 Claim, 8 Drawing Sheets



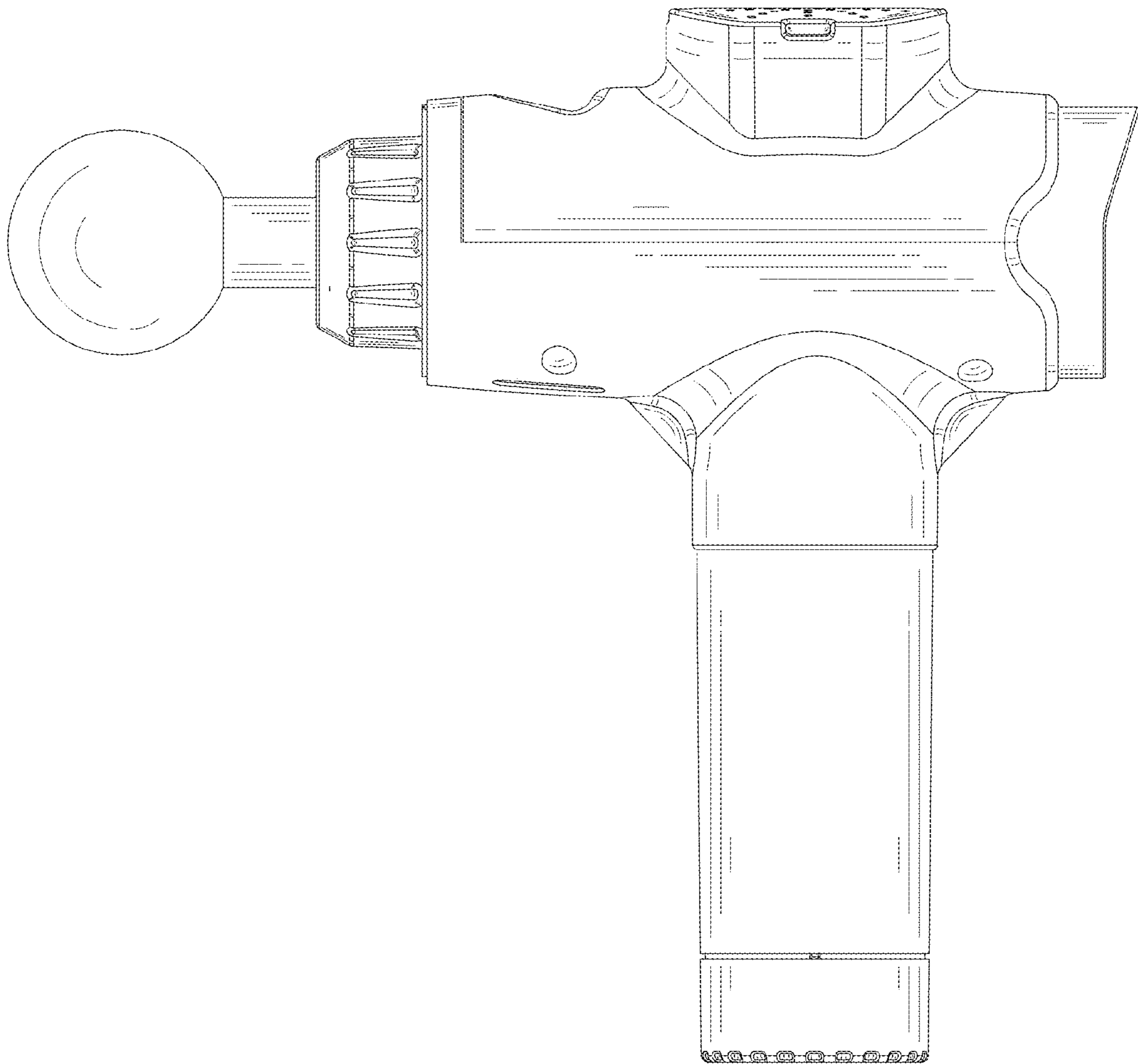


FIG. 1

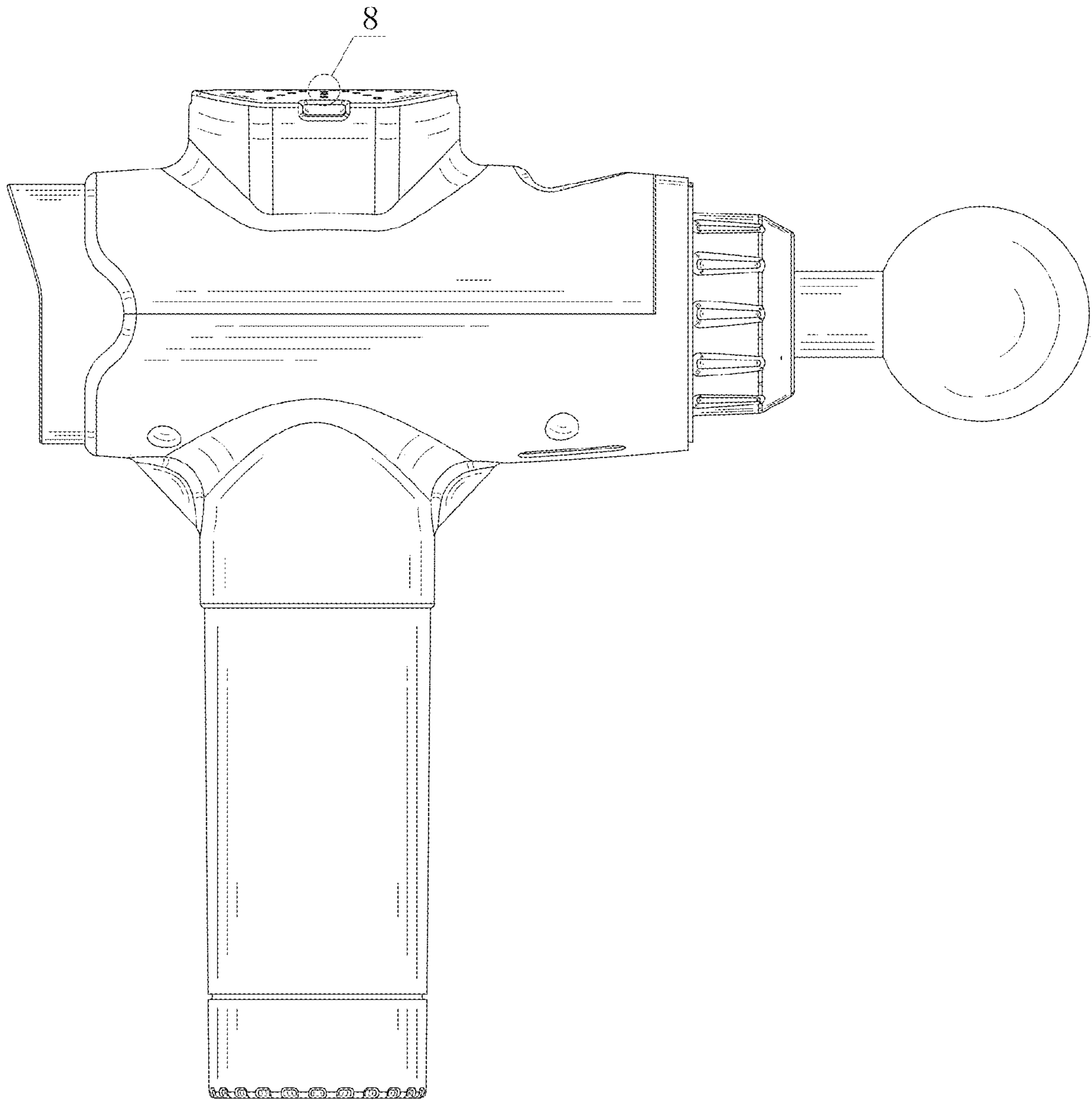


FIG. 2

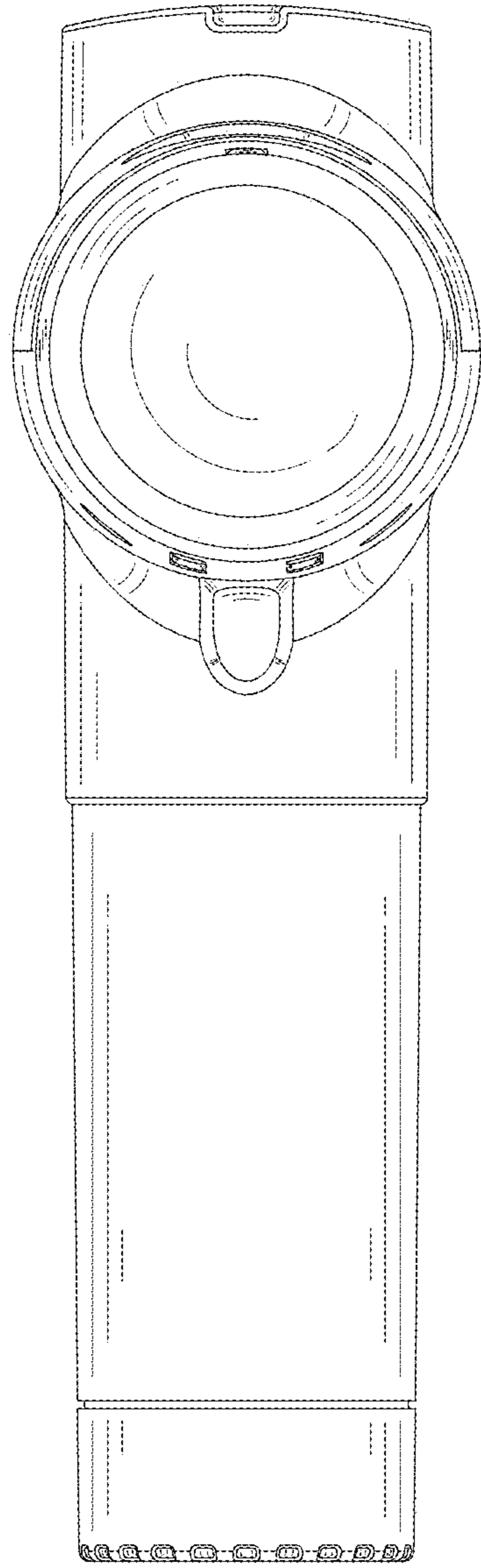


FIG. 3

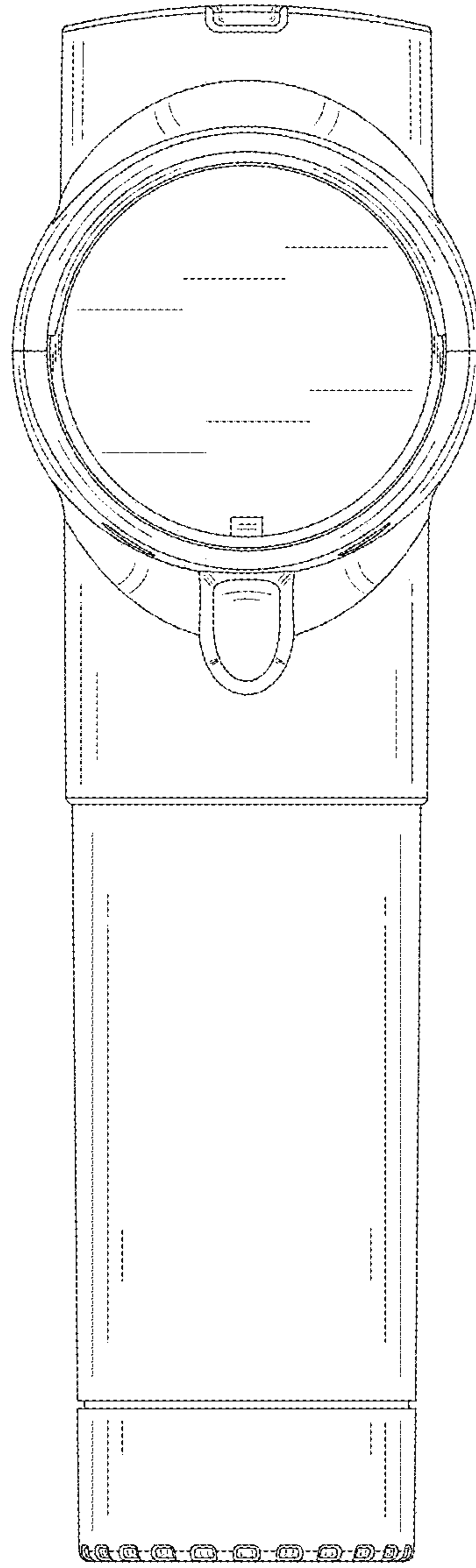


FIG. 4

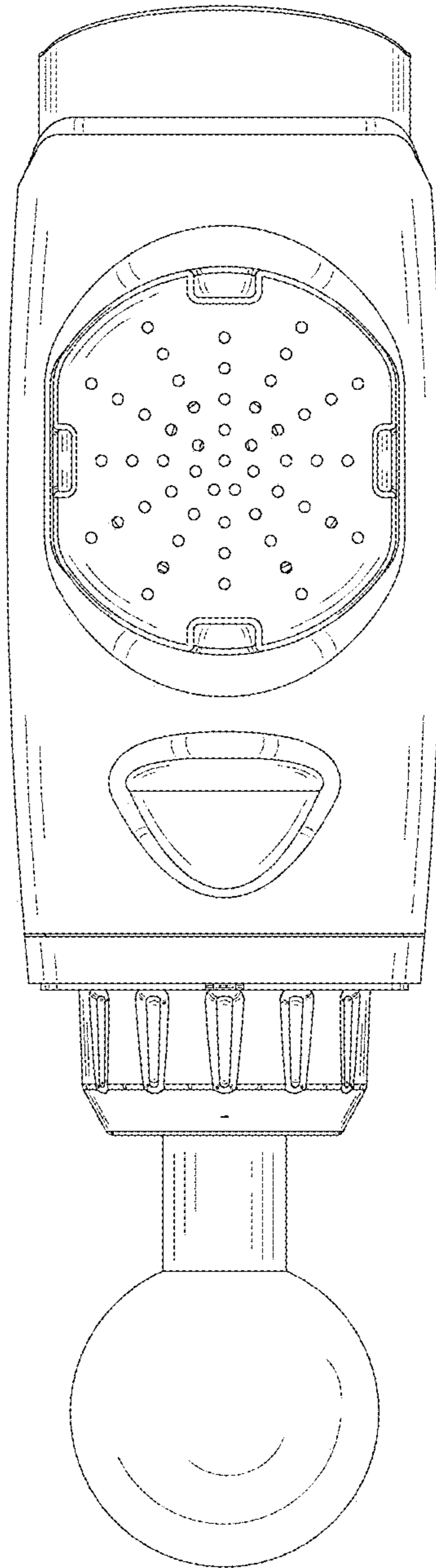


FIG. 5

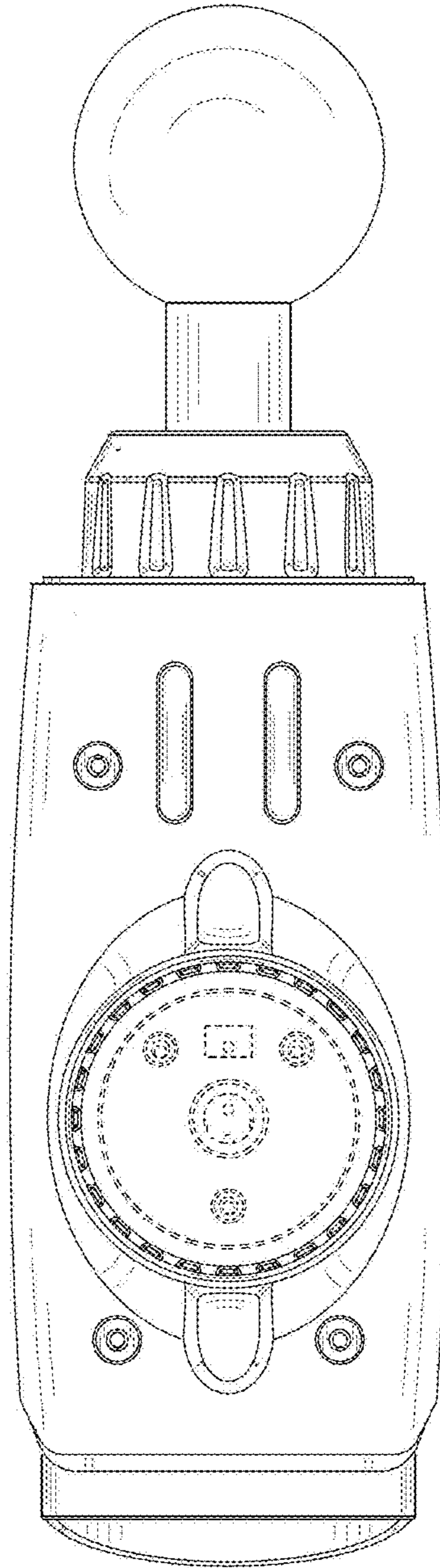


FIG. 6

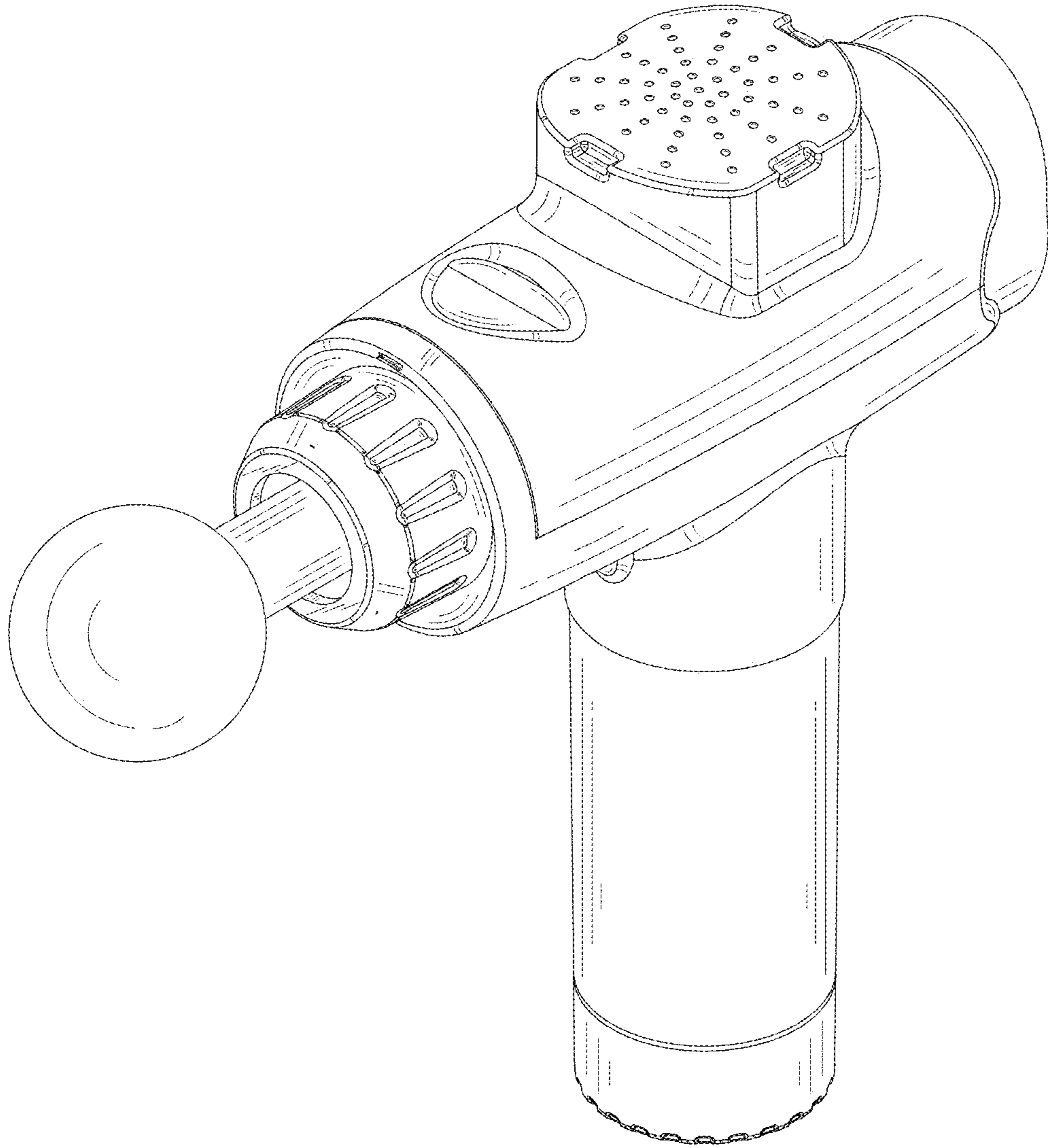


FIG. 7

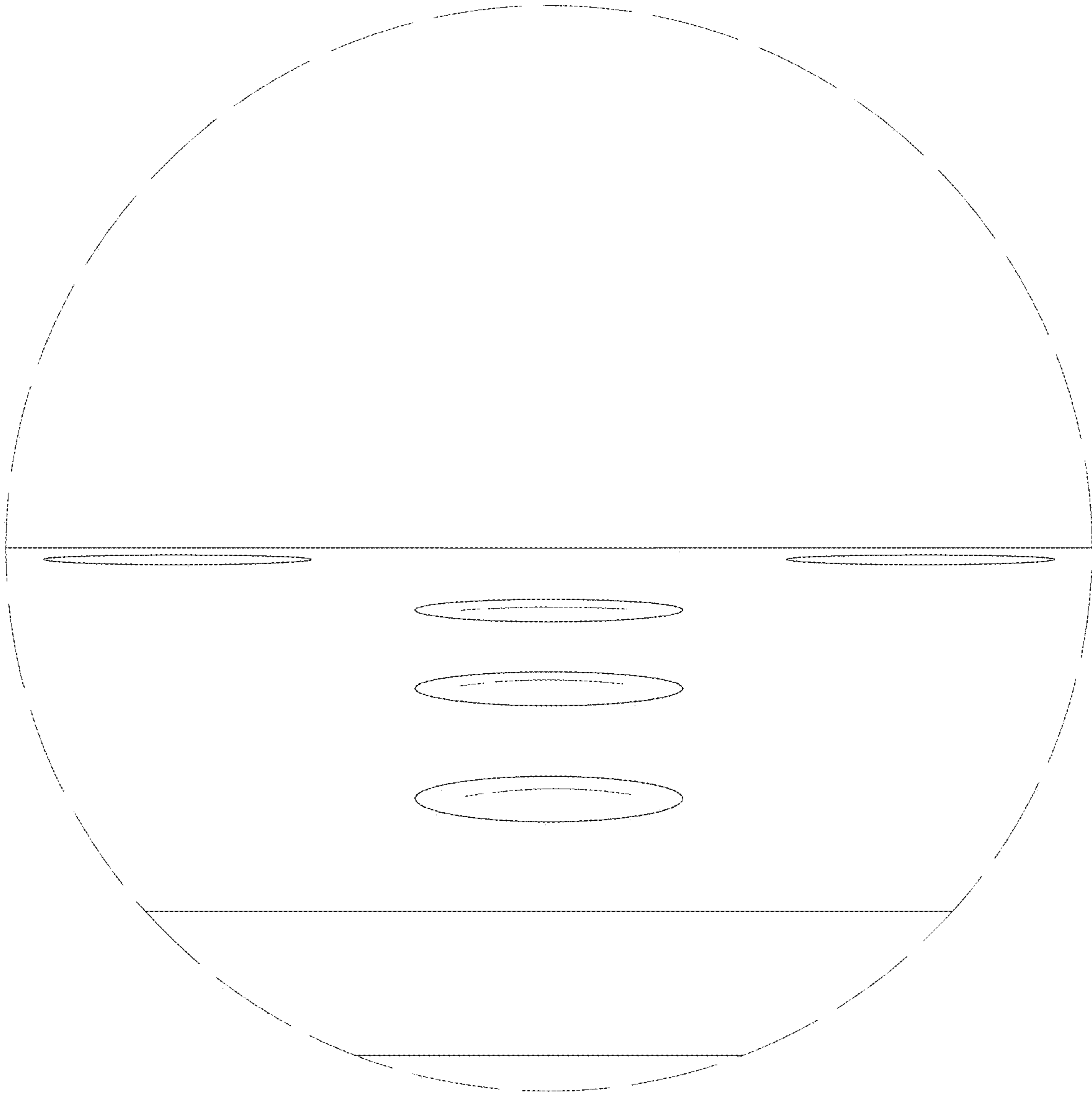


FIG. 8