



US00D982766S

(12) **United States Design Patent** (10) **Patent No.:** **US D982,766 S**
Yu (45) **Date of Patent:** **** Apr. 4, 2023**

(54) **EYE BEAUTY INSTRUMENT**
(71) Applicant: **Huizheng Yu**, Guangdong (CN)
(72) Inventor: **Huizheng Yu**, Guangdong (CN)
(**) Term: **15 Years**
(21) Appl. No.: **29/805,832**
(22) Filed: **Aug. 30, 2021**
(51) **LOC (14) Cl.** **24-01**
(52) **U.S. Cl.**
USPC **D24/214**
(58) **Field of Classification Search**
USPC D24/127, 130, 133, 188, 200, 211, 212,
D24/213, 214, 215; D28/44, 44.1, 56,
D28/58; D4/100, 101; D30/158;
D7/688; D10/57
CPC A61H 39/08; A61H 2201/0153; A61H
15/0092; A61H 7/005; A61H 7/003;
A61H 15/0085; A61H 2205/022; A61H
2201/0214; A61H 2205/021; A61H
2205/024; A61H 7/002; A61H 13/00
See application file for complete search history.

(56) **References Cited**

U.S. PATENT DOCUMENTS

D317,367 S * 6/1991 Fujisawa D28/58
D361,404 S * 8/1995 Haas D28/7
D376,650 S * 12/1996 Kain D24/215
D672,047 S * 12/2012 Hsu D24/200
D922,598 S * 6/2021 Levy D24/215
D927,012 S * 8/2021 Sugimoto D24/215
D930,176 S * 9/2021 Wang D24/215
D956,986 S * 7/2022 Cai D24/200
D968,633 S * 11/2022 Karim D24/215

OTHER PUBLICATIONS

Amazon, "USUIE 4 in 1 Facial Device", Earliest Review Date: Jun. 1, 2022. https://www.amazon.com/USUIE-Massager-Wrinkles-Anti-Aging-Upgraded/dp/B09S5LLPWB/ref=cm_cr_ar_p_d_product_top?ie=UTF8&th=1 (Year: 2022).*

(Continued)

Primary Examiner — Michael A Maharajh
(74) *Attorney, Agent, or Firm* — True Shepherd, LLC;
Andrew Cheng

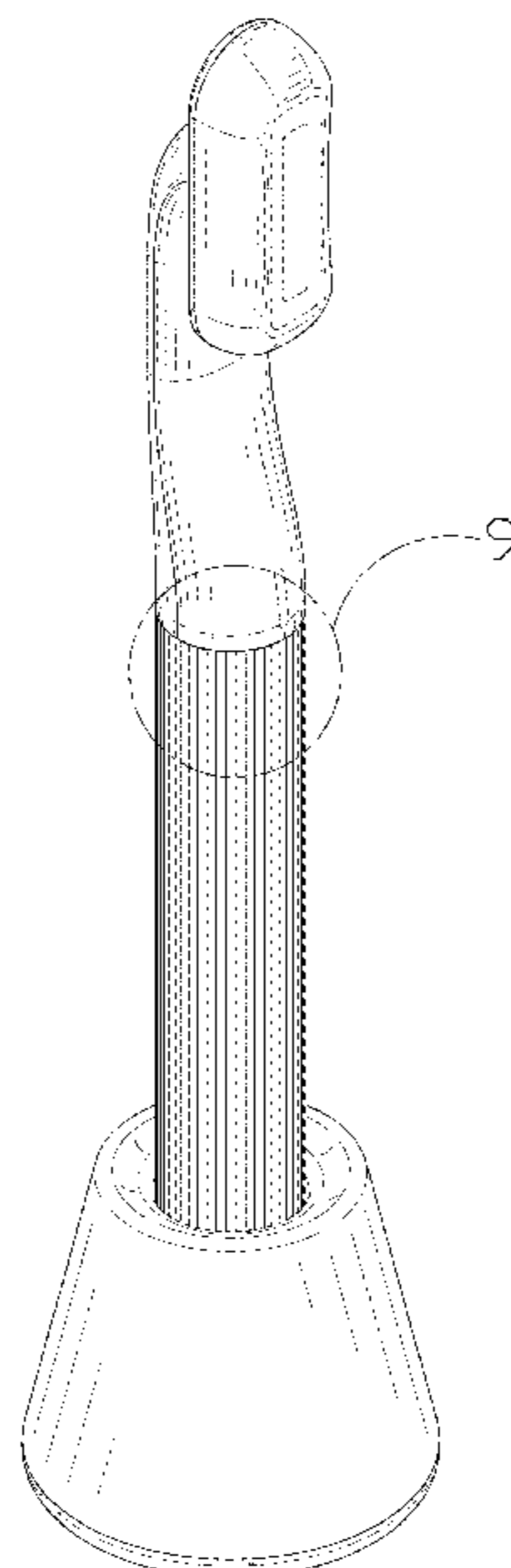
(57) **CLAIM**

The ornamental design for an eye beauty instrument, as shown and described.

DESCRIPTION

FIG. 1 is a front, left and top perspective view of an eye beauty instrument, showing my design.
FIG. 2 is a rear, right and bottom perspective view thereof.
FIG. 3 is a front elevation view thereof.
FIG. 4 is a rear elevation view thereof.
FIG. 5 is a left side elevation view thereof.
FIG. 6 is a right-side elevation view thereof.
FIG. 7 is a top plan view thereof.
FIG. 8 is a bottom plan view thereof.
FIG. 9 is a partial enlarged view of an area labeled 9 in FIG. 1 comprising a part of a handle.
FIG. 10 is a partial enlarged view of an area labeled 10 in FIG. 2 comprising a part of a head; and,
FIG. 11 is another front, left and top perspective view of the eye beauty instrument shown separately to show aspects of the design that are not visible when combined.
The broken lines shown in the drawings are included for the purpose of illustrating portions of the eye beauty instrument that form no part of the claimed design.
The dash-dot broken lines shown in FIGS. 1, 2, 9 and 10 are for the purpose of showing enlarged areas, which form no part of the claimed design.

1 Claim, 11 Drawing Sheets



(56)

References Cited

OTHER PUBLICATIONS

Usuie “Red Light Therapy Skincare Wand”, Earliest review Date: May 31, 2022. <https://usuie.com/collections/featured-collection/products/usuie-red-light-therapy-skincare-wand?variant=43841351221481#opinew-plugin> (Year: 2022).*

Amazon, “Meifuly Red Light Therapy Massage Facial Wand”, Date First Available: May 7, 2022. https://www.amazon.com/Meifuly-Therapy-Massage-Wrinkles-Anti-Aging/dp/B09ZQRDPQV/ref=cm_cr_ar_p_d_product_top?ie=UTF8 (Year: 2022).*

* cited by examiner

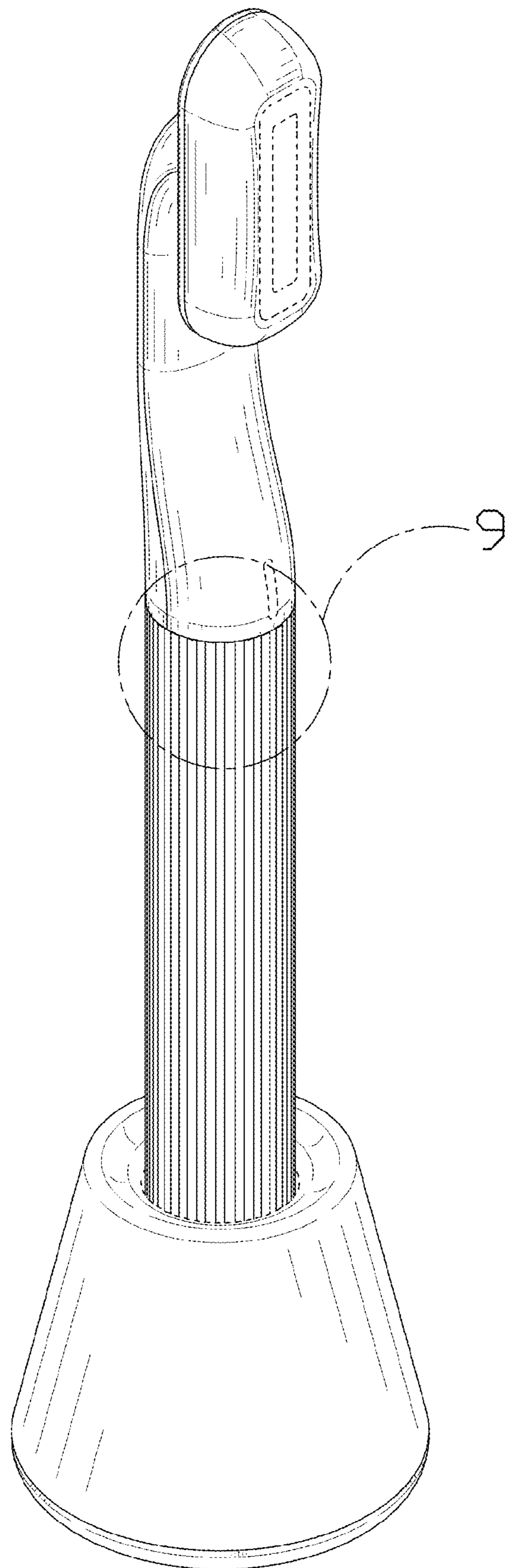


FIG. 1

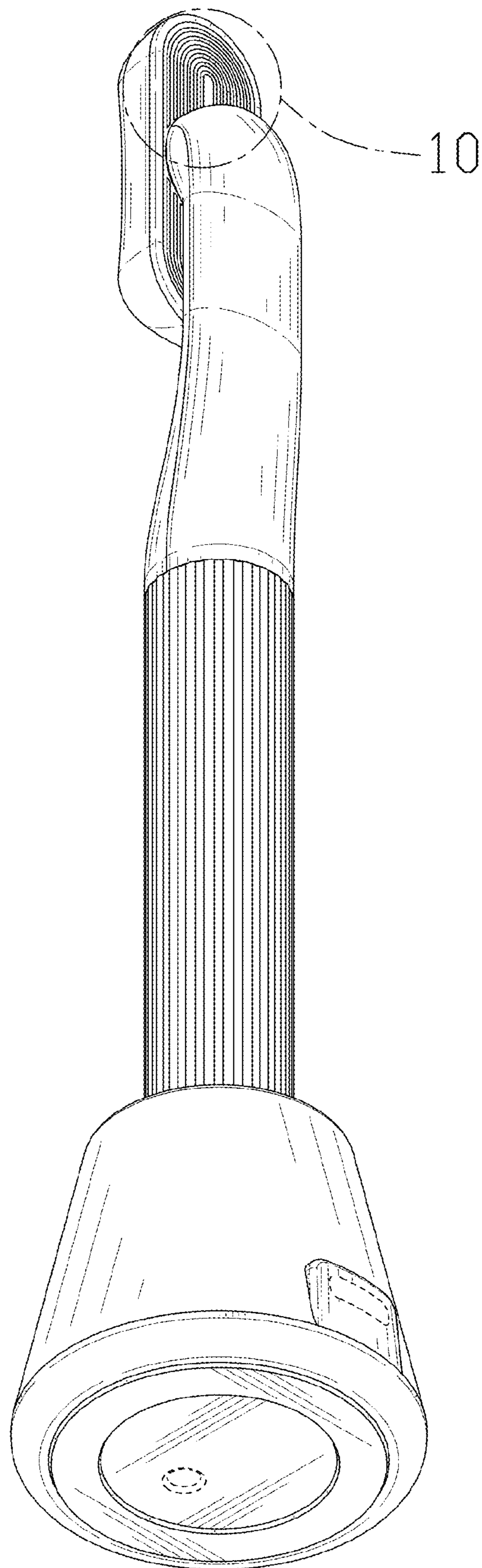


FIG. 2

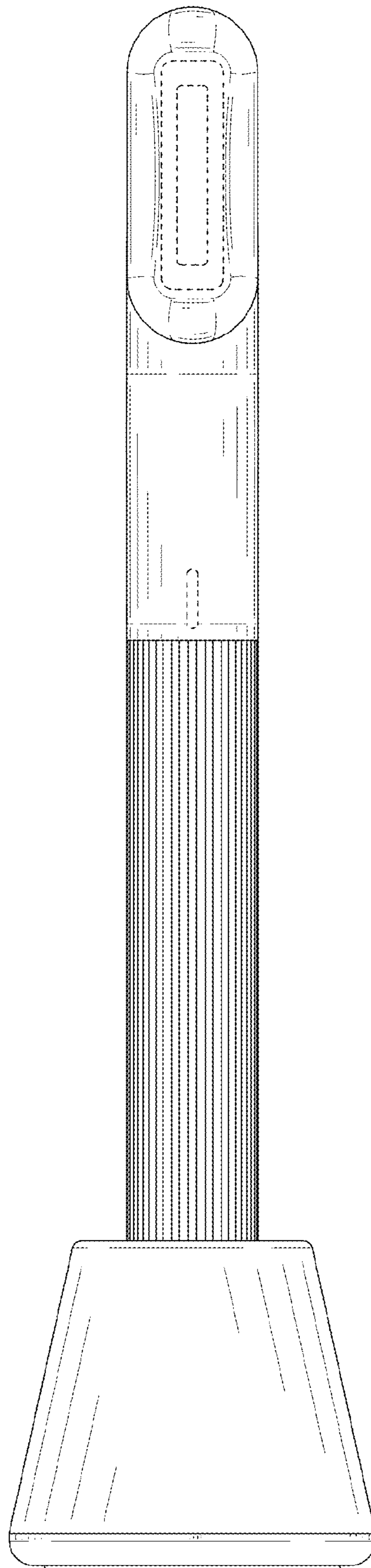


FIG. 3

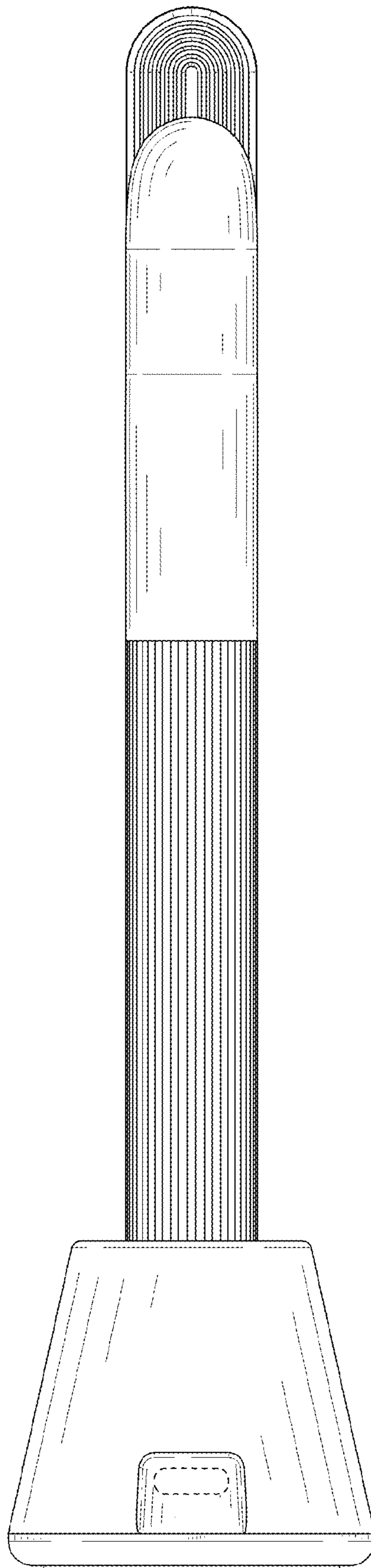


FIG. 4

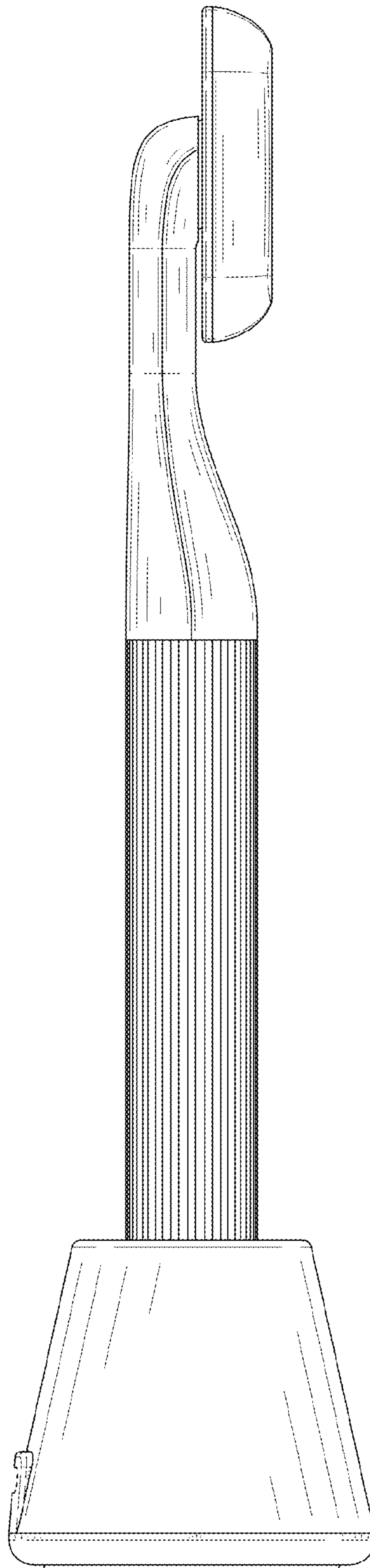


FIG. 5

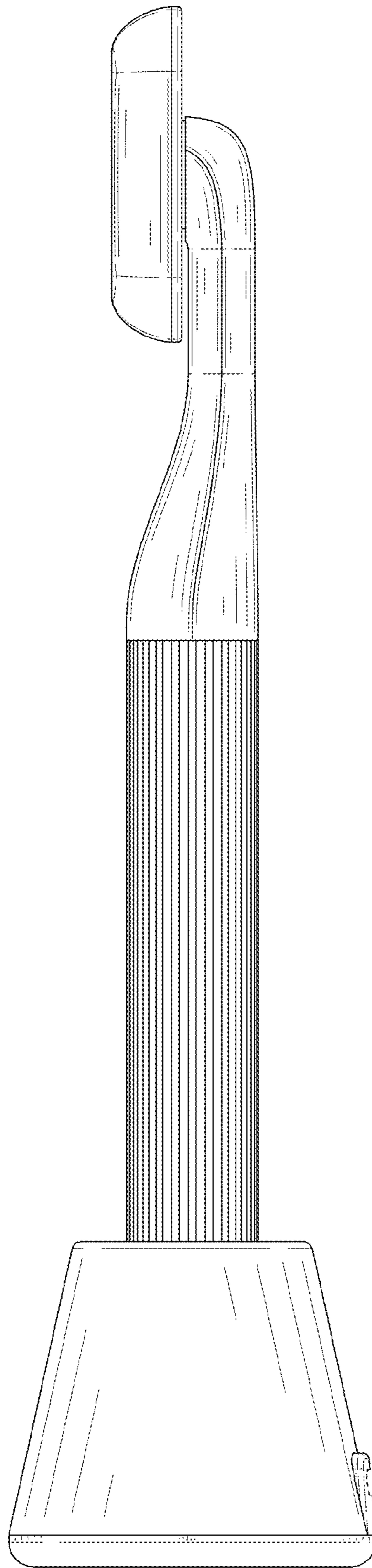


FIG. 6

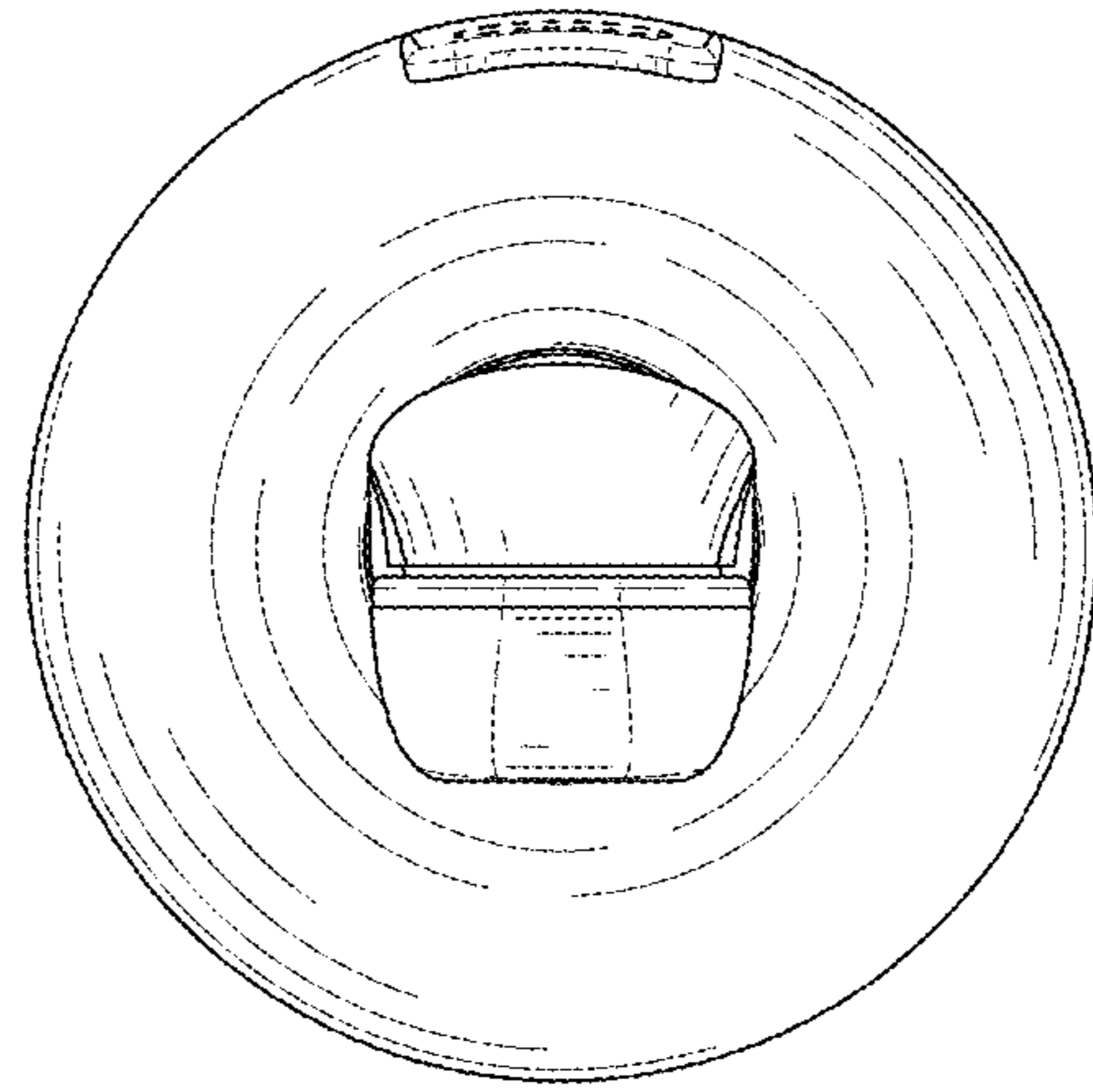


FIG. 7

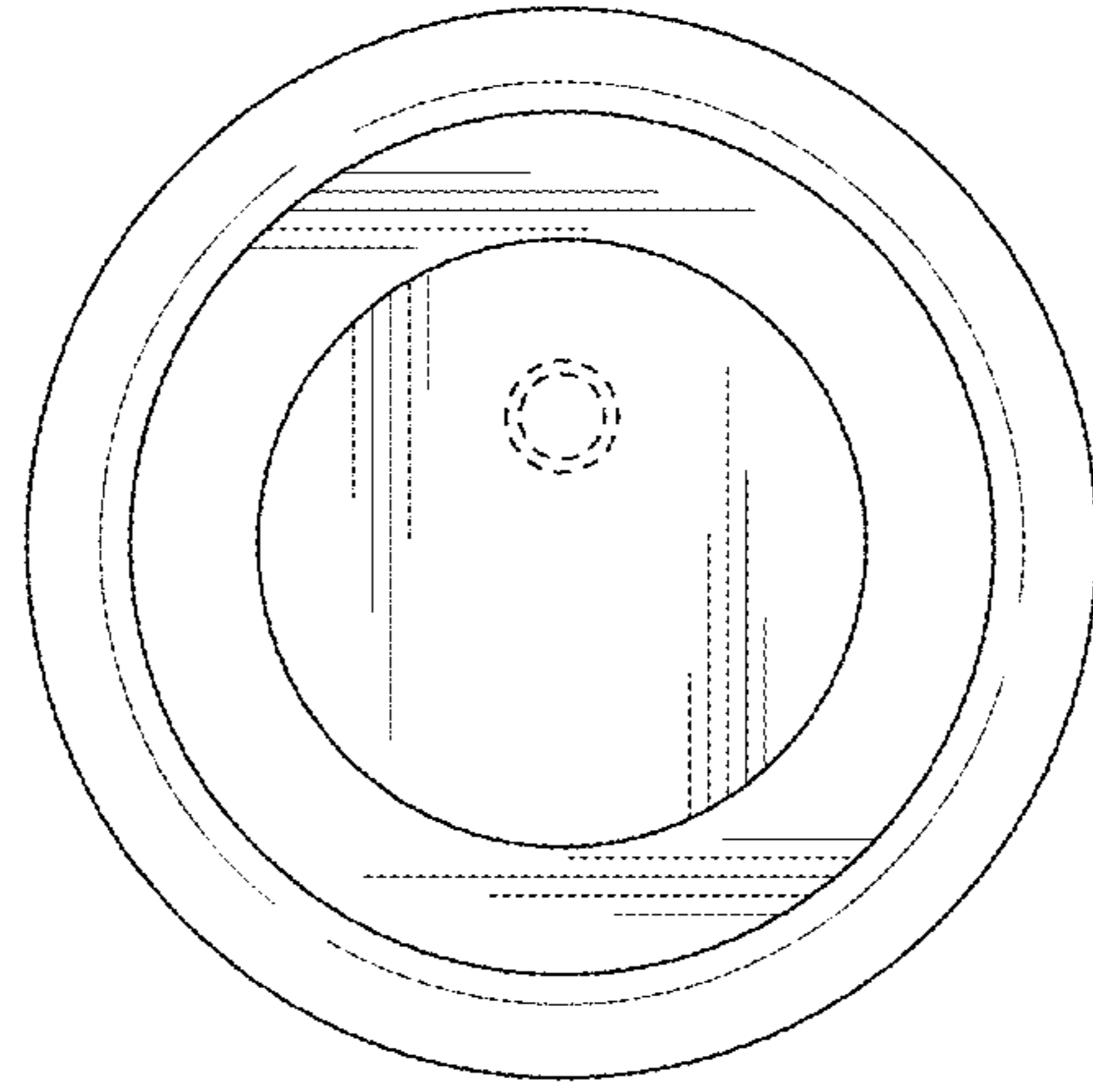


FIG. 8

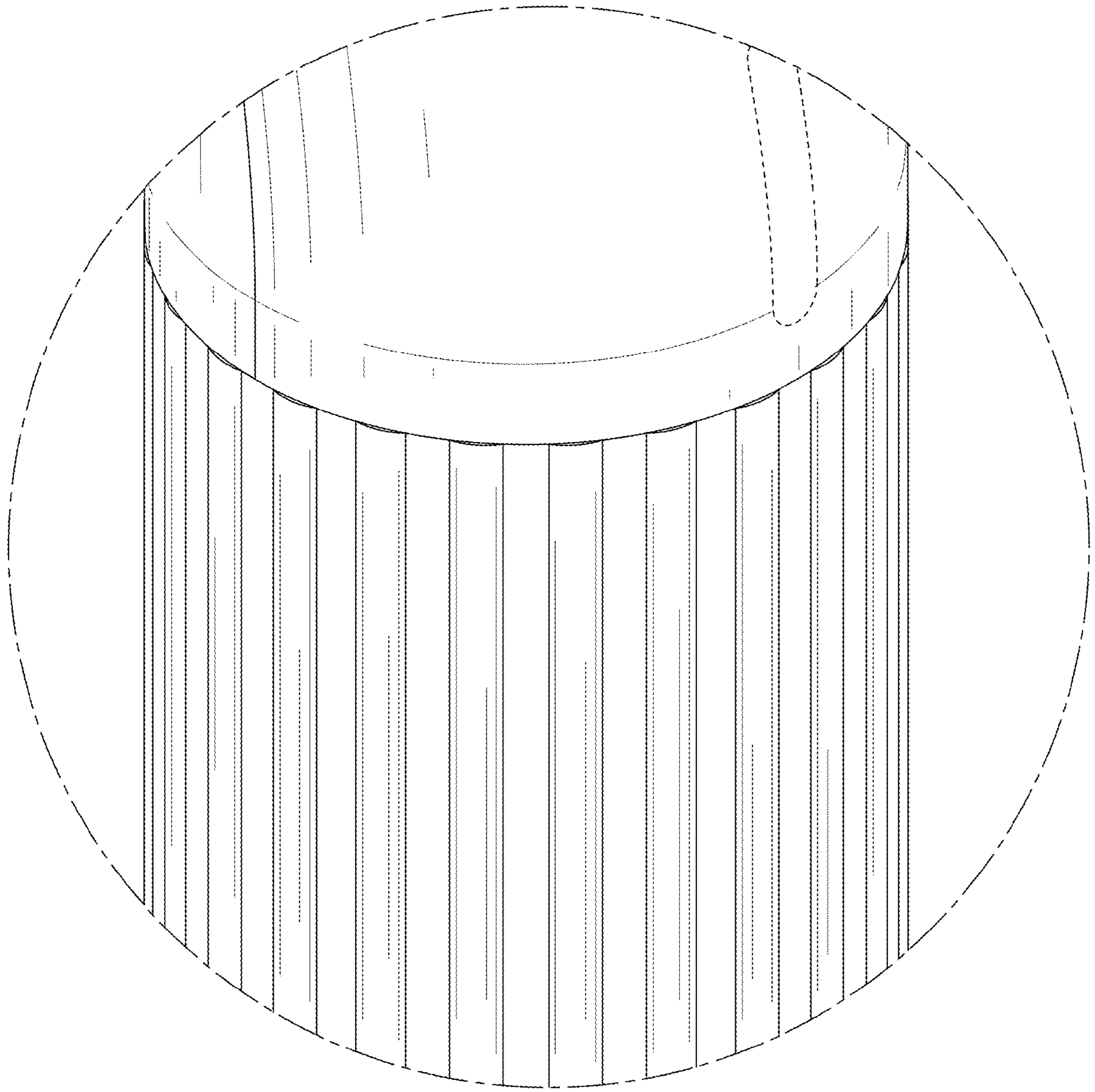


FIG. 9

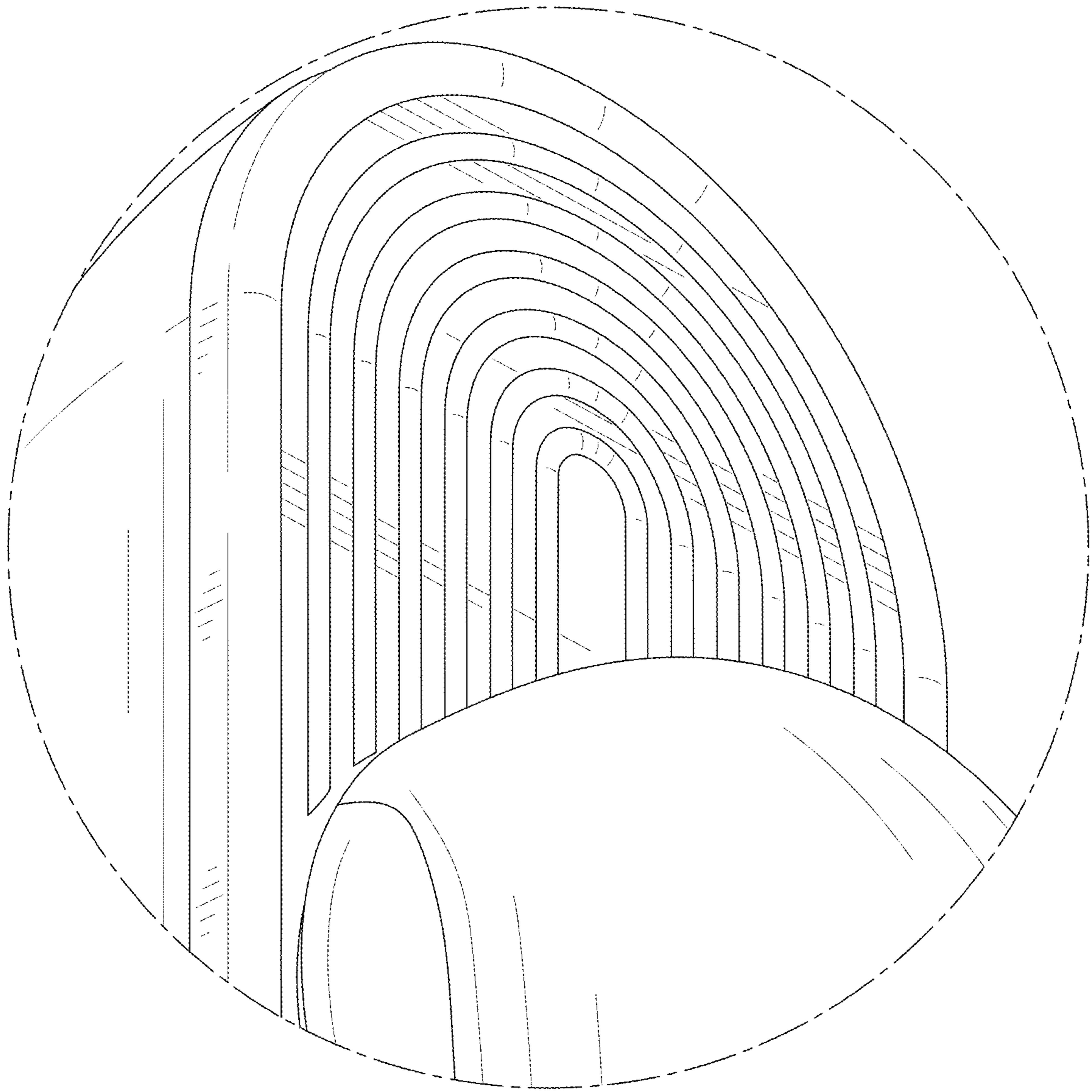


FIG. 10

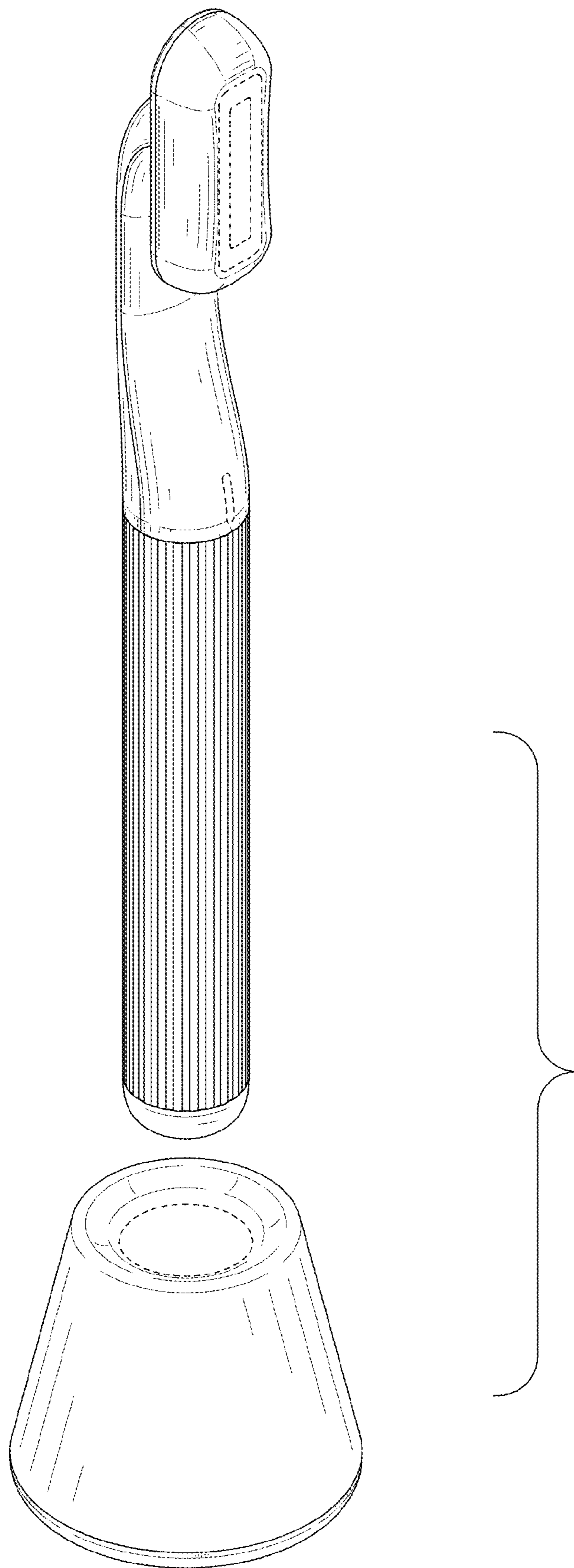


FIG. 11